



US00D927809S

(12) **United States Design Patent**
Kim et al.

(10) **Patent No.:** **US D927,809 S**

(45) **Date of Patent:** **** Aug. 10, 2021**

(54) **NOZZLE FOR VACUUM CLEANER**

(71) Applicant: **LG ELECTRONICS INC.**, Seoul (KR)

(72) Inventors: **Jinju Kim**, Seoul (KR); **Seongmin Kim**, Seoul (KR); **Seunghyun Song**, Seoul (KR); **Yeji Um**, Seoul (KR); **Hoil Jeon**, Seoul (KR)

(73) Assignee: **LG ELECTRONICS INC.**, Seoul (KR)

(**) Term: **15 Years**

(21) Appl. No.: **35/508,418**

(22) Filed: **Jul. 29, 2019**

(80) **Hague Agreement Data**

Int. Filing Date: **Jul. 29, 2019**

Int. Reg. No.: **DM/204187**

Int. Reg. Date: **Jul. 29, 2019**

Int. Reg. Pub. Date: **Jan. 31, 2020**

(51) **LOC (13) Cl.** **32-03**

(52) **U.S. Cl.**
USPC **D32/32**

(58) **Field of Classification Search**
USPC D32/31-33
CPC .. A47L 11/24; A47L 11/4005; A47L 11/4066;
A47L 2201/00; A47L 9/009
See application file for complete search history.

(56) **References Cited**

U.S. PATENT DOCUMENTS

D836,868 S * 12/2018 Nam D32/32
D848,097 S * 5/2019 Nam D32/32

D848,098 S * 5/2019 Nam D32/32
D848,099 S * 5/2019 Nam D32/32
D869,802 S * 12/2019 Hribar-Green D32/32
D872,955 S * 1/2020 Thorne D32/32
D875,338 S * 2/2020 Gale D32/32
D879,397 S * 3/2020 Kim D32/32
D879,398 S * 3/2020 Burgess D32/32
D880,089 S * 3/2020 Kim D32/32
D880,090 S * 3/2020 Tokoi D32/32
D900,420 S * 10/2020 Roschi D32/32
D901,113 S * 11/2020 Song D32/32
D905,918 S * 12/2020 Pearce D32/32

* cited by examiner

Primary Examiner — Khawaja Anwar

(74) *Attorney, Agent, or Firm* — Birch, Stewart, Kolasch & Birch LLP

(57) **CLAIM**

The ornamental design for a nozzle for vacuum cleaner, as shown and described.

DESCRIPTION

1. Nozzle for vacuum cleaner

1.1 : Perspective

1.2 : Front

1.3 : Back

1.4 : Left

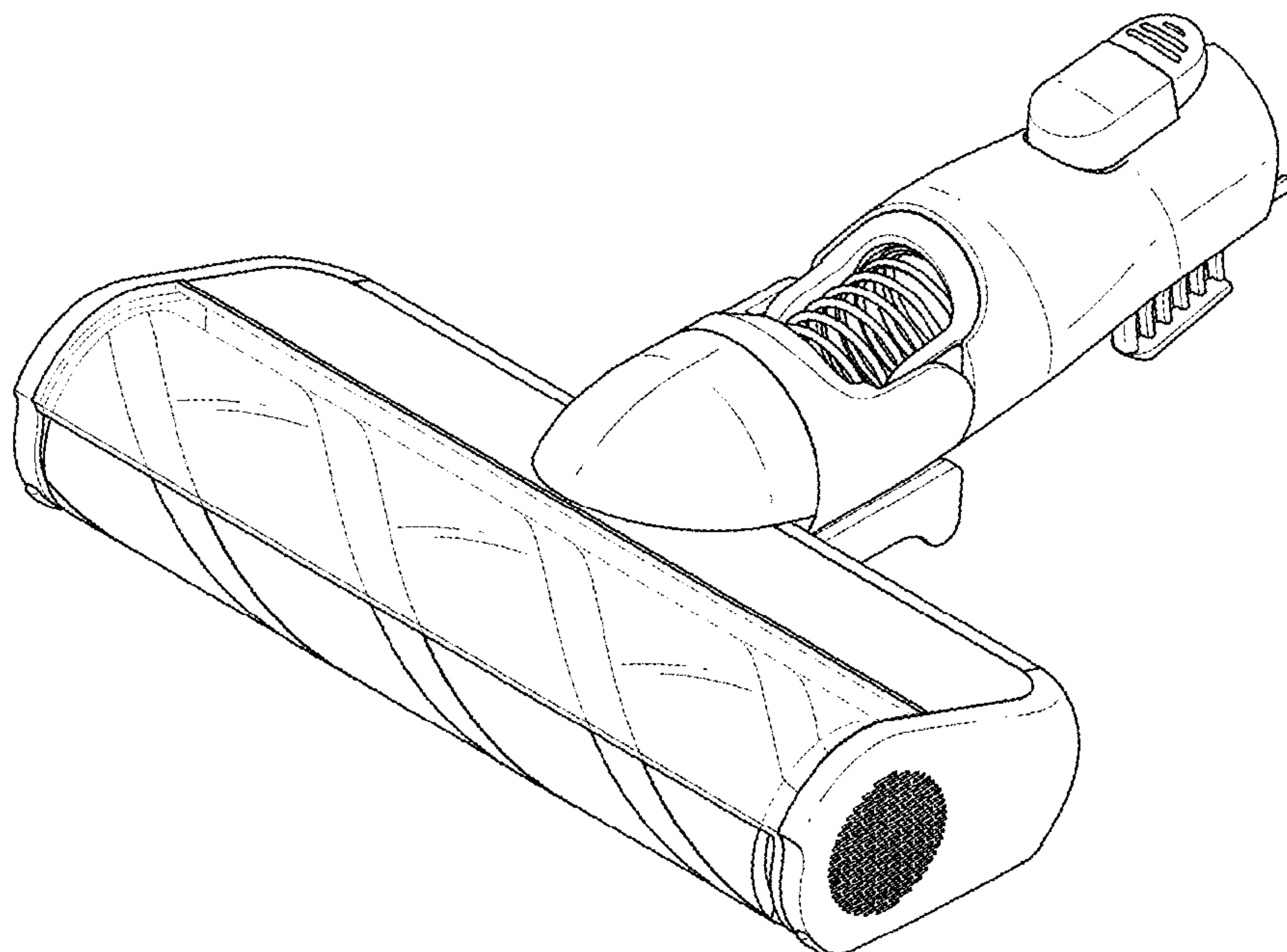
1.5 : Right

1.6 : Top

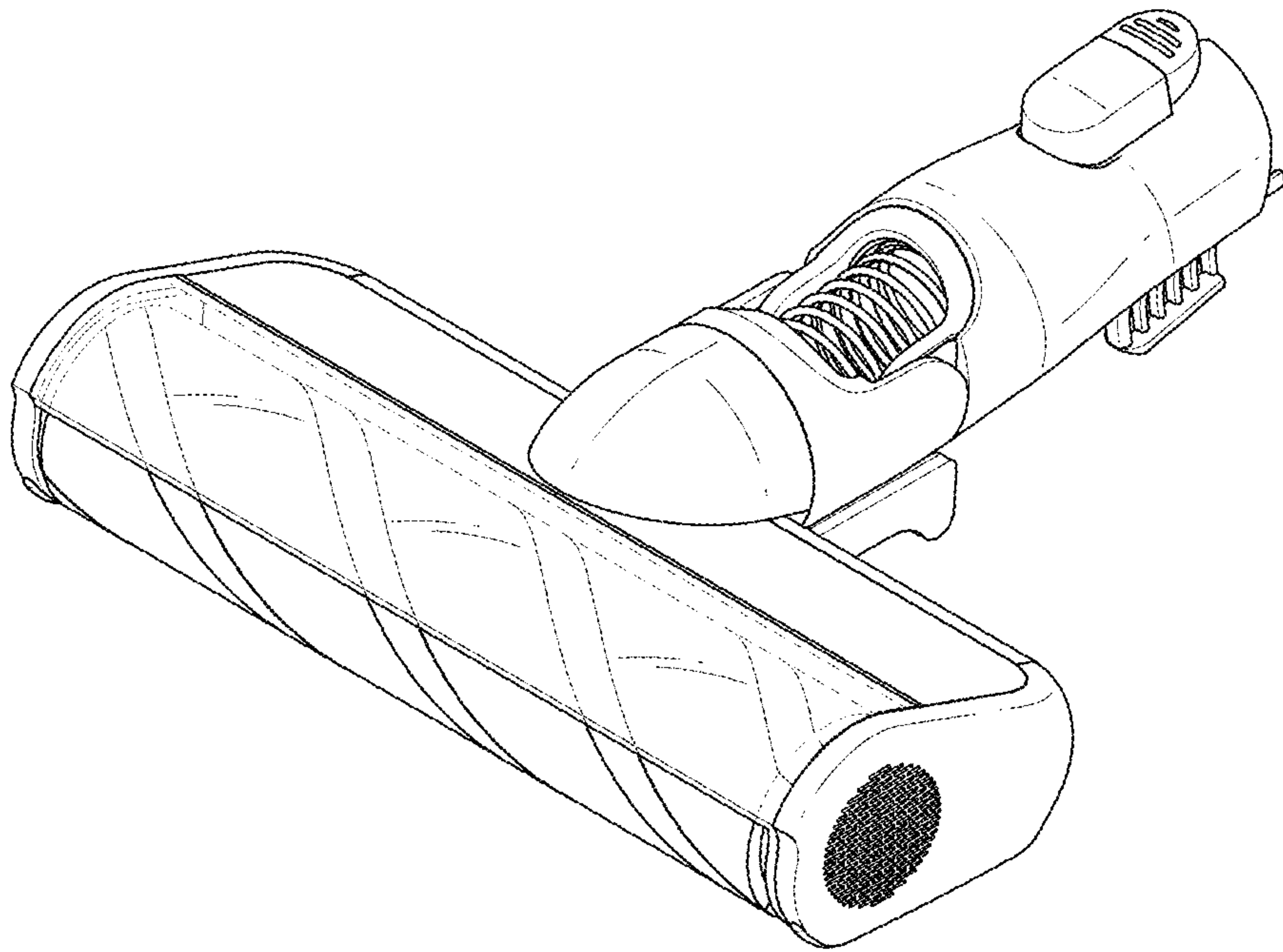
1.7 : Bottom

The article has transparent materials. The broken lines shown in Figures 1.3 and 1.7 depict portions of the nozzle for vacuum cleaner that form no part of the claimed design.

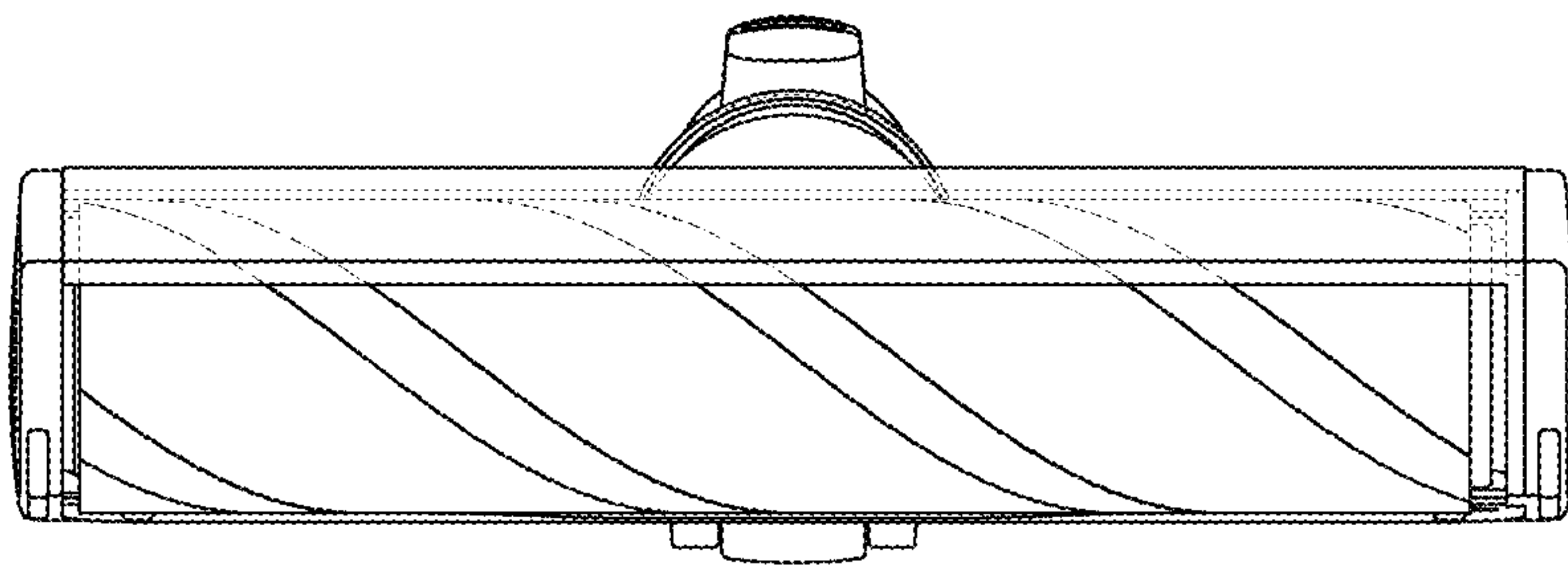
1 Claim, 7 Drawing Sheets



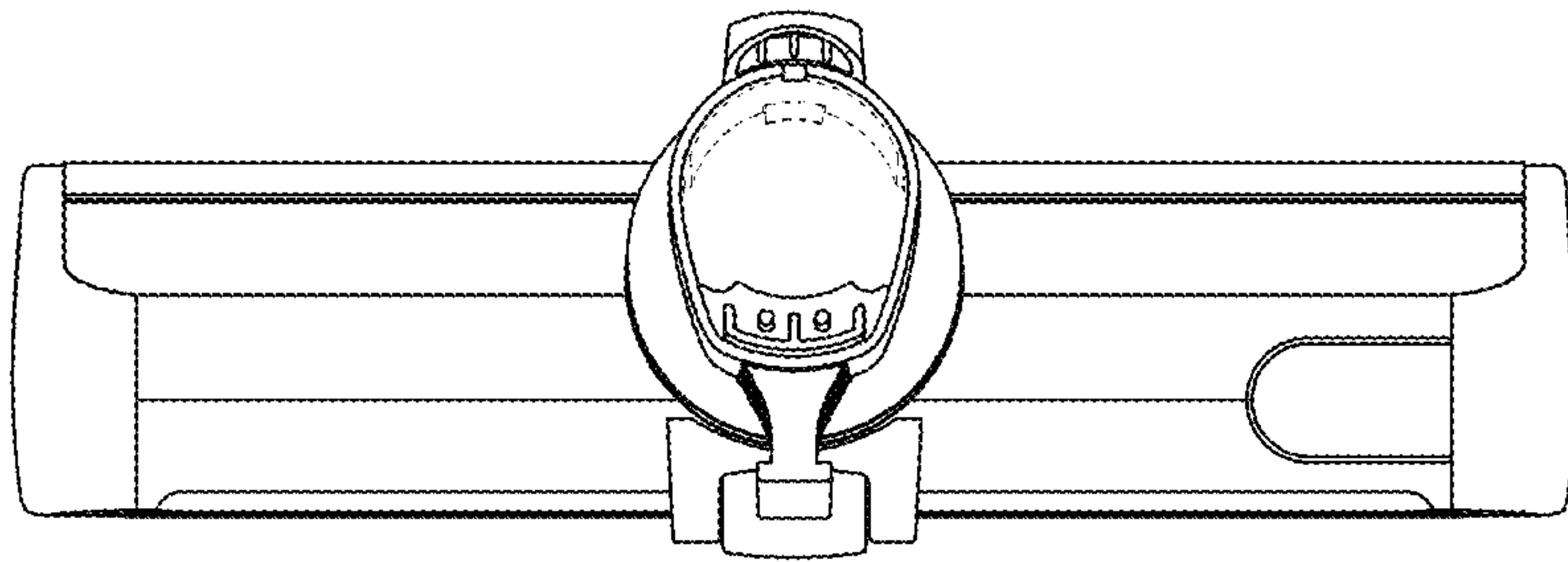
1.1



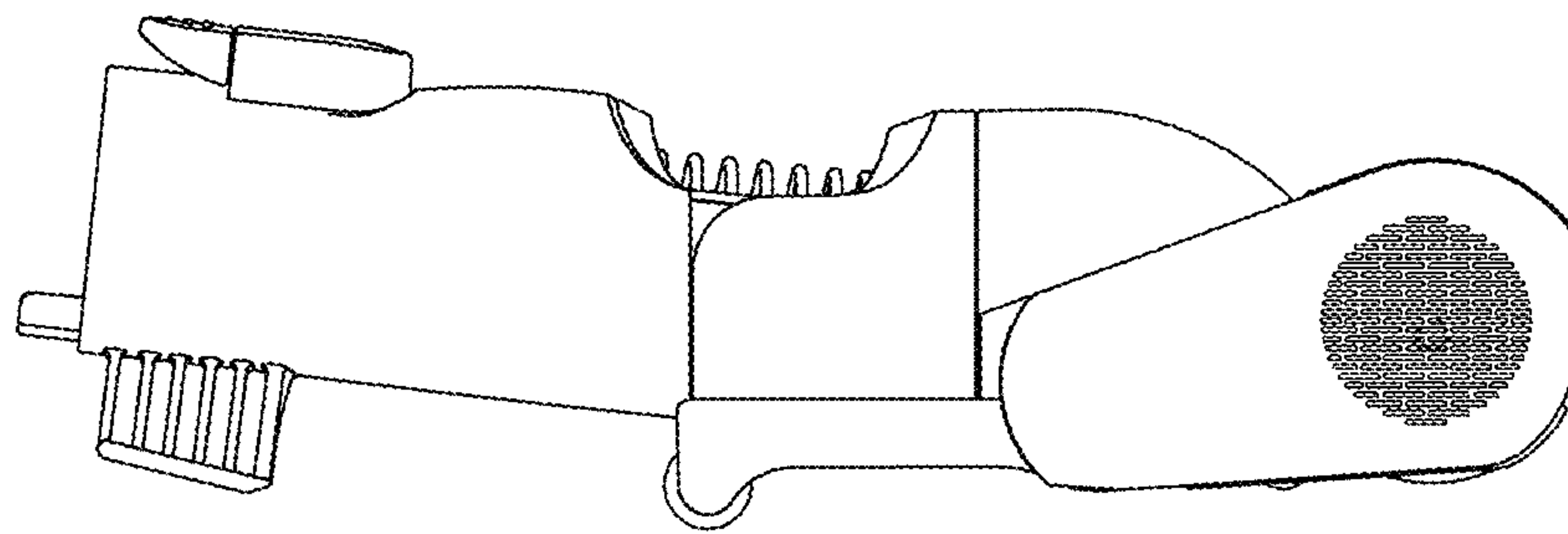
1.2



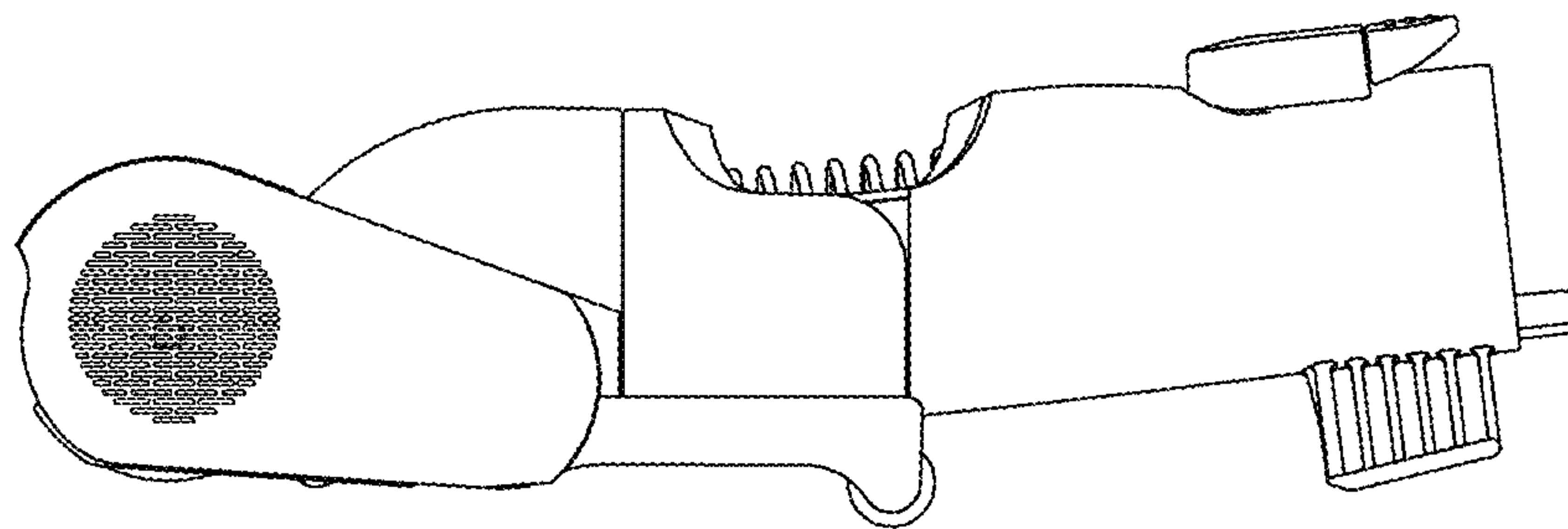
1.3



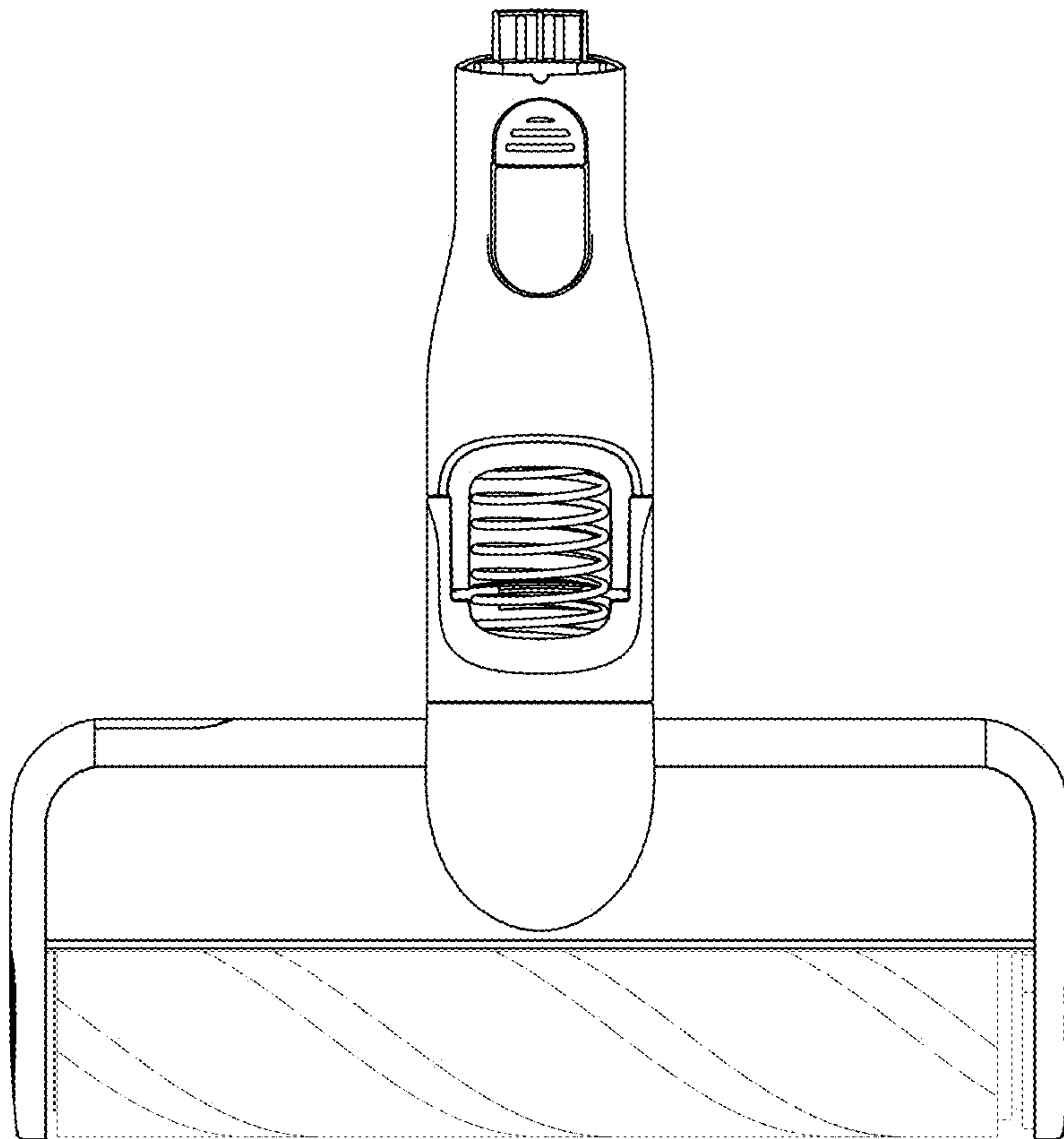
1.4



1.5



1.6



1.7

