



US00D927807S

(12) **United States Design Patent**  
**Yang et al.**

(10) **Patent No.:** **US D927,807 S**

(45) **Date of Patent:** **\*\* Aug. 10, 2021**

(54) **MOVING WHEEL**

(71) Applicant: **GuangDong BONA Robot Co., Ltd.**,  
Shenzhen (CN)

(72) Inventors: **Yong Yang**, Shenzhen (CN); **Zhuobin Zheng**, Shenzhen (CN); **Lilei Wang**,  
Shenzhen (CN)

(73) Assignee: **GuangDong BONA Robot Co., Ltd.**,  
Shenzhen (CN)

(\*\*) Term: **15 Years**

(21) Appl. No.: **29/710,053**

(22) Filed: **Oct. 19, 2019**

(30) **Foreign Application Priority Data**

Jul. 11, 2019 (CN) ..... 201930367175.X

(51) **LOC (13) Cl.** ..... **15-05**

(52) **U.S. Cl.**  
USPC ..... **D32/31**

(58) **Field of Classification Search**  
USPC ..... D3/318; D7/402; D8/375; D12/211;  
D23/359; D32/31; D34/10, 27  
CPC ..... A01C 7/08; A01D 34/824; B62B 1/042;  
B60B 37/10; B60B 5/02; B65F 1/1473  
See application file for complete search history.

(56) **References Cited**

**U.S. PATENT DOCUMENTS**

D53,544 S *	7/1919	West	.....	D12/205
D221,013 S *	6/1971	Golden	.....	D12/204
D221,424 S *	8/1971	Golden	.....	D12/501
D221,833 S *	9/1971	Haydock	.....	D8/375
D276,513 S *	11/1984	Honsa	.....	D12/204
D325,011 S *	3/1992	Markling	.....	D12/210
D326,837 S *	6/1992	Hulterstrum	.....	D12/204
D327,048 S *	6/1992	Markling	.....	D12/204

D328,048 S *	7/1992	Markling	.....	D12/204
D352,687 S *	11/1994	Markling	.....	D12/204
5,725,351 A *	3/1998	Guibert	.....	B62B 1/042 280/646
D444,283 S *	6/2001	Konkle	.....	D12/211
D444,757 S *	7/2001	Ward	.....	D12/211
D498,975 S *	11/2004	Choi	.....	D7/402
6,910,645 B1 *	6/2005	Edwards	.....	A01C 7/08 222/164
D570,070 S *	5/2008	Morris	.....	D12/204
D586,071 S *	2/2009	Morris	.....	D34/27
D586,072 S *	2/2009	Morris	.....	D34/27
D632,044 S *	2/2011	Morris	.....	D34/27

(Continued)

**OTHER PUBLICATIONS**

Red wheel <https://www.bol.com/nl/p/kruiwagenwiel-met-band-groot-velg-met-naaldlager-4-80-4-00-8/9200000077235957/> (Year: 2021).\*

(Continued)

*Primary Examiner* — Michelle E. Wilson

*Assistant Examiner* — Richard E Yenchesky

(74) *Attorney, Agent, or Firm* — Bayes PLLC

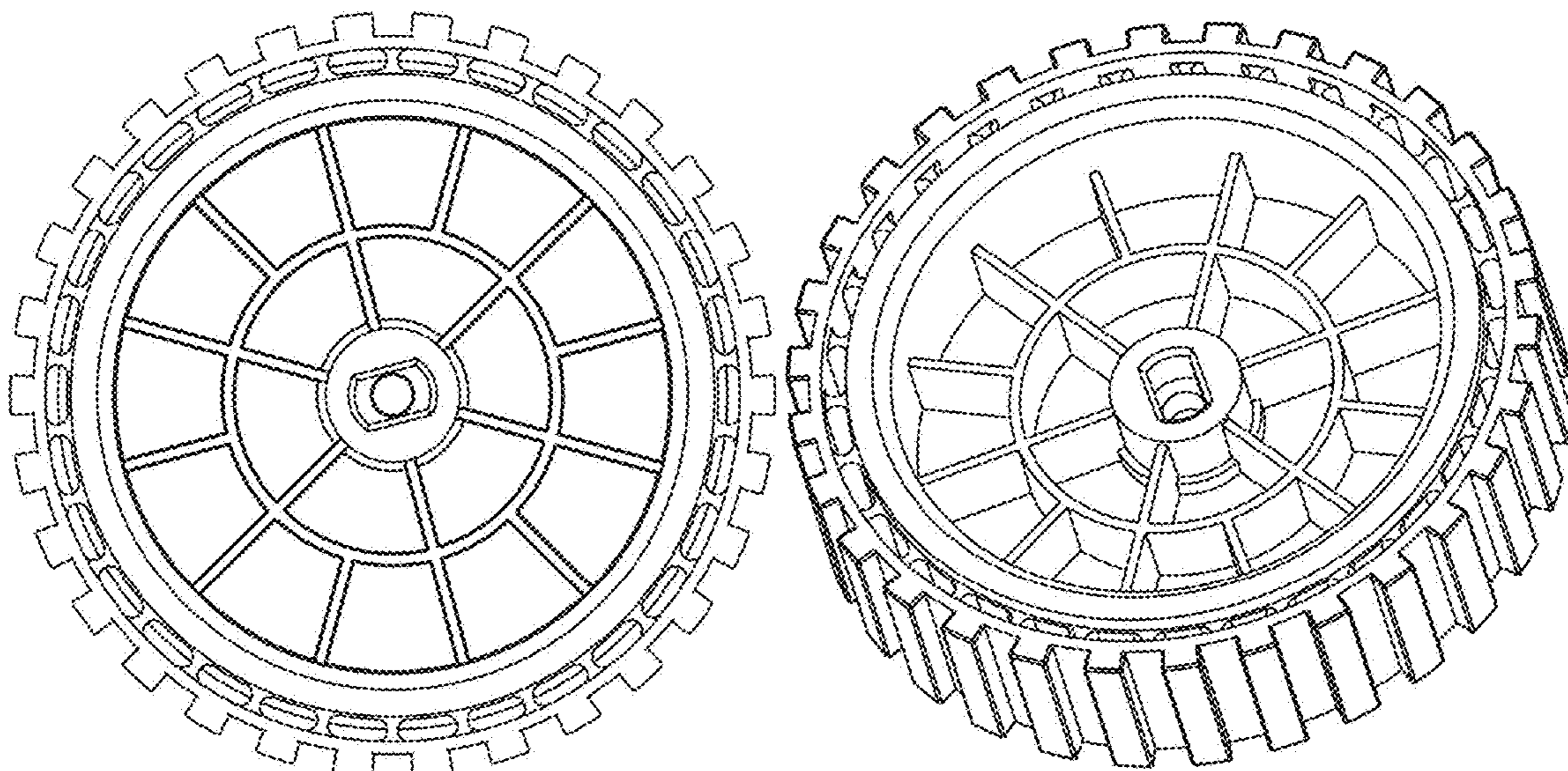
(57) **CLAIM**

The ornamental design for a moving wheel, as shown and described.

**DESCRIPTION**

FIG. 1 is a front view of a moving wheel showing the claimed design;  
FIG. 2 is a top view thereof;  
FIG. 3 is a bottom view thereof;  
FIG. 4 is a left side view thereof;  
FIG. 5 is a right side view thereof;  
FIG. 6 is a rear view thereof. The portion of the rear view of FIG. 6 that is presented with broken lines forms no part of the claimed design and is disclaimed; and,  
FIG. 7 is a perspective view thereof.

**1 Claim, 7 Drawing Sheets**



(56)

**References Cited**

U.S. PATENT DOCUMENTS

D640,439 S \* 6/2011 Morris ..... D34/27  
8,037,911 B2 \* 10/2011 Morris ..... B60B 5/02  
152/323  
D649,321 S \* 11/2011 Hatcher ..... D34/27  
D654,652 S \* 2/2012 Hatcher ..... D34/27  
D659,934 S \* 5/2012 Hatcher ..... D34/27  
D683,099 S \* 5/2013 Wright ..... D34/10  
8,590,984 B2 \* 11/2013 Morris ..... B60B 37/10  
301/111.03  
D702,411 S \* 4/2014 Bromm ..... D34/10  
9,096,097 B2 \* 8/2015 Trent, III ..... B65F 1/1473  
D808,877 S \* 1/2018 Liu ..... D12/204  
D809,726 S \* 2/2018 Park ..... D32/31  
D869,848 S \* 12/2019 Wu ..... D3/318  
D907,869 S \* 1/2021 Yang ..... D32/31  
D912,792 S \* 3/2021 Stearns ..... D23/359  
2017/0164552 A1 \* 6/2017 Jackson ..... A01D 34/824

OTHER PUBLICATIONS

Yardman lawn mower wheel [https://www.thepartsbiz.com/Yardman-Lawn-Mower-734-04018A-Geared-Drive-Wheel-Replacement-Wheel-\\_p\\_20741.html](https://www.thepartsbiz.com/Yardman-Lawn-Mower-734-04018A-Geared-Drive-Wheel-Replacement-Wheel-_p_20741.html) (Year: 2021).\*  
Front Drive Wheels [https://www.amazon.com/Troy-Bilt-Propelled-734-04018C-734-04018B-734-04018A/dp/B07BW998L1/ref=sr\\_1\\_4?dchild=1&keywords=Lawn+Mower+Self+Propelled+Front+Wheels&qid=1617987380&sr=8-4](https://www.amazon.com/Troy-Bilt-Propelled-734-04018C-734-04018B-734-04018A/dp/B07BW998L1/ref=sr_1_4?dchild=1&keywords=Lawn+Mower+Self+Propelled+Front+Wheels&qid=1617987380&sr=8-4) (Year: 2019).\*

\* cited by examiner

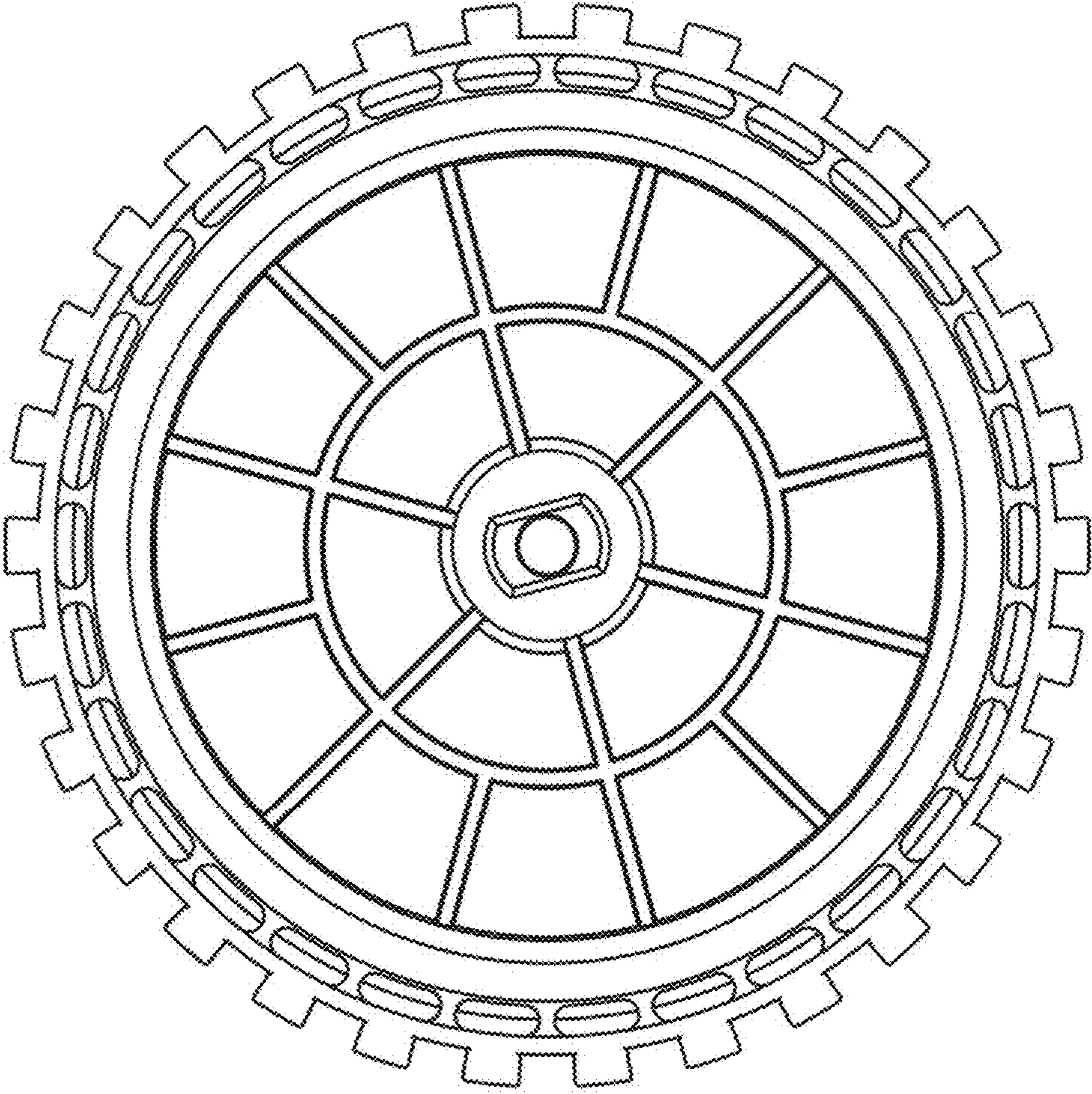
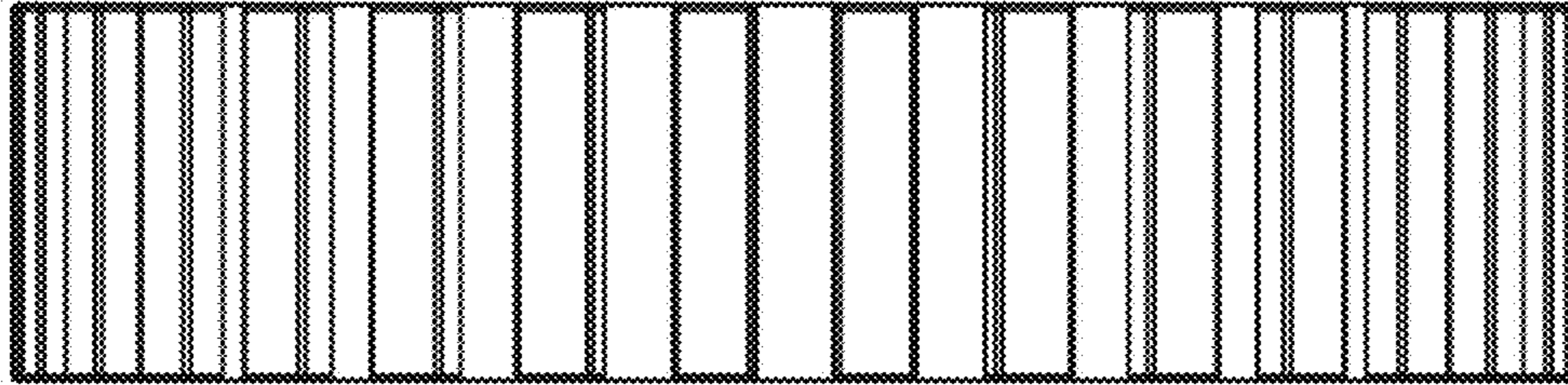
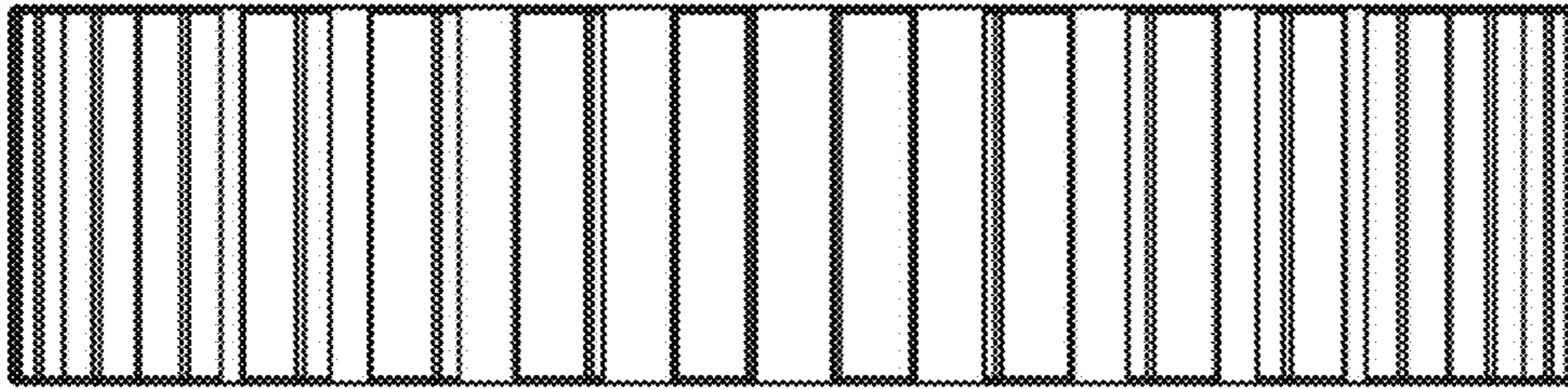


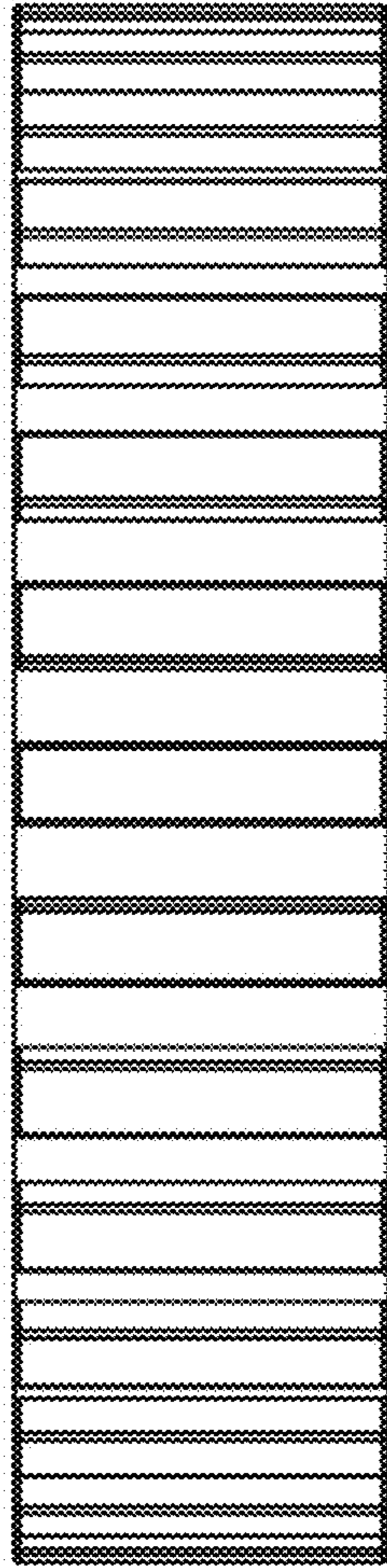
FIG. 1



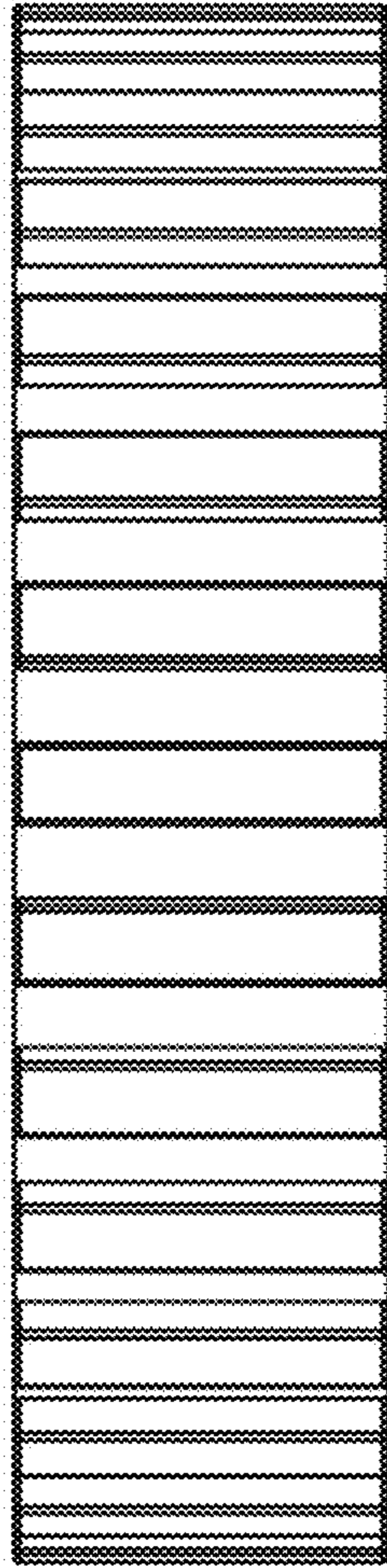
**FIG. 2**



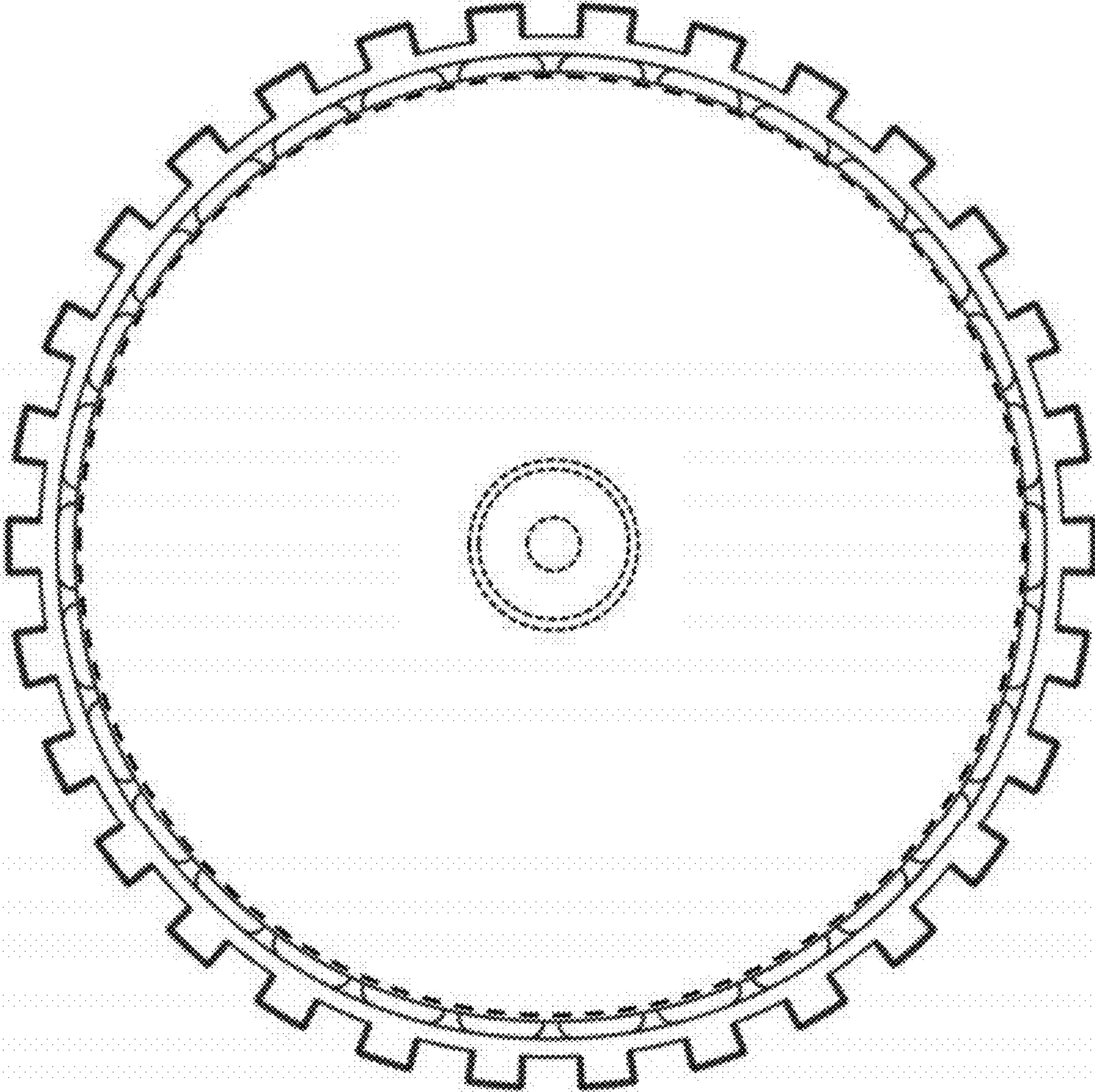
**FIG. 3**



**FIG. 4**



**FIG. 5**



**FIG. 6**



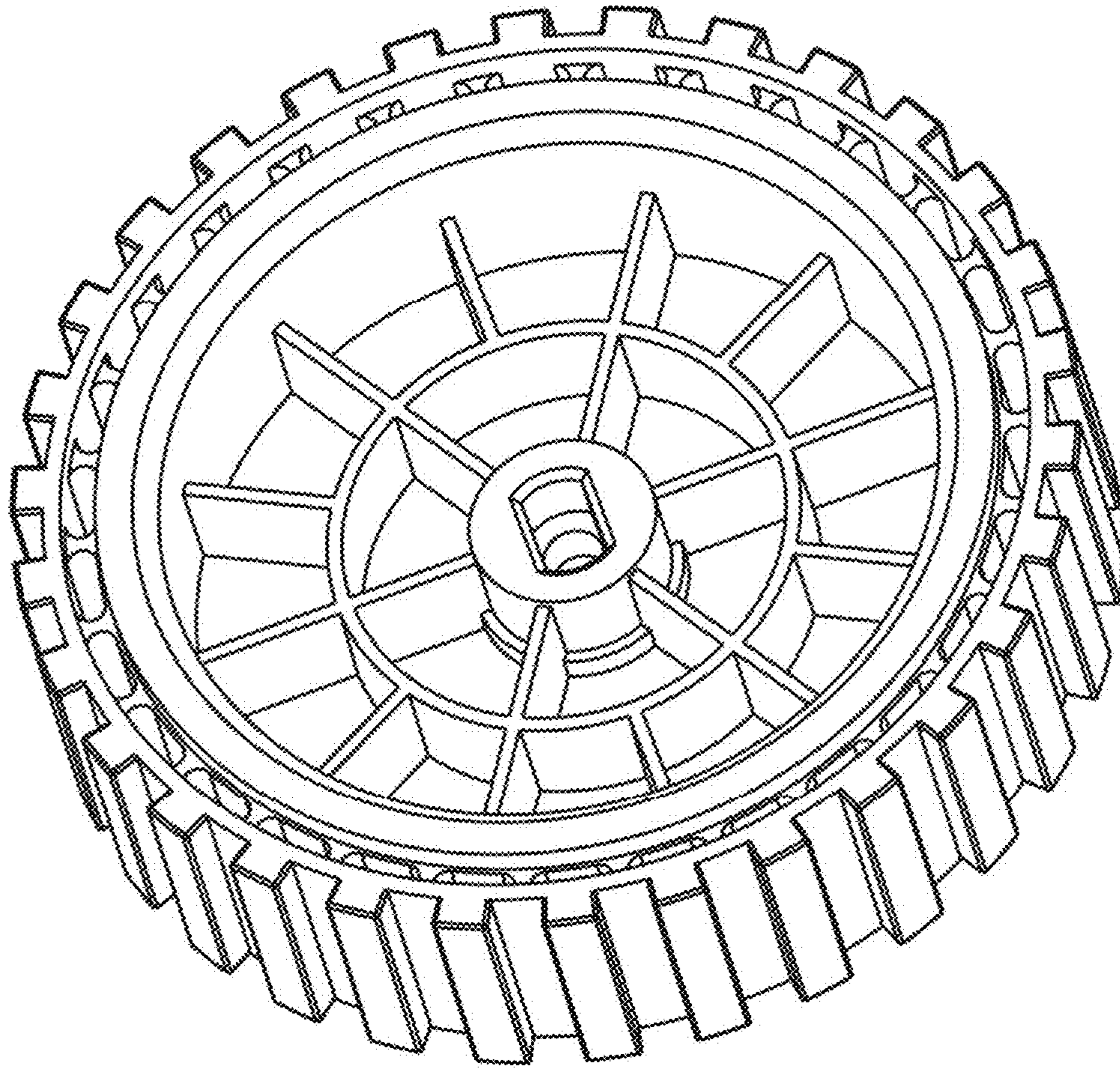


FIG. 7