



US00D927806S

(12) **United States Design Patent**  
**Qiu**

(10) **Patent No.:** **US D927,806 S**

(45) **Date of Patent:** **\*\* Aug. 10, 2021**

(54) **LAUNDRY MACHINE ADD-ON BOX FOR  
DETERGENT DISPENSING**

(71) Applicant: **Yuanlin Qiu**, N Bellmore, NY (US)

(72) Inventor: **Yuanlin Qiu**, N Bellmore, NY (US)

(\*\*) Term: **15 Years**

(21) Appl. No.: **29/689,576**

(22) Filed: **Apr. 30, 2019**

(51) **LOC (13) Cl.** ..... **15-05**

(52) **U.S. Cl.**  
USPC ..... **D32/29.1**

(58) **Field of Classification Search**  
USPC ..... D32/1-2, 5-6, 8, 10, 15-17, 35-36, 53,  
D32/29.1; D7/354  
CPC .. A61L 2/10; A61C 19/00; A47J 27/00; F26B  
11/02; E05B 65/0007; A47L 15/0084;  
D06F 39/02  
See application file for complete search history.

(56) **References Cited**

**U.S. PATENT DOCUMENTS**

- 5,579,656 A \* 12/1996 Shin ..... D06F 39/02  
68/17 R
- D424,257 S \* 5/2000 Umeda ..... D32/2
- D456,571 S \* 4/2002 Richardson ..... D32/2
- D459,843 S \* 7/2002 Richardson ..... D32/3
- D467,394 S \* 12/2002 Schumaier ..... D32/1
- D577,471 S \* 9/2008 Park ..... D32/28
- D595,464 S \* 6/2009 Nam ..... D32/25
- 8,178,854 B1 \* 5/2012 Elliott ..... A61L 2/10  
250/492.1
- D663,497 S \* 7/2012 Ha ..... D32/29.1
- D678,634 S \* 3/2013 Liao ..... D32/1
- D683,505 S \* 5/2013 Chung ..... D32/29.1
- D697,681 S \* 1/2014 Chung ..... D32/29.1
- D701,658 S \* 3/2014 Chung ..... D32/6
- D772,508 S \* 11/2016 Burrell ..... D32/29.1

- D772,509 S \* 11/2016 Ha ..... D32/29.1
- D784,637 S \* 4/2017 Kim ..... D32/25
- D788,389 S \* 5/2017 Kim ..... D32/29.1
- D794,887 S \* 8/2017 Kim ..... D32/29.1
- D797,388 S \* 9/2017 Kim ..... D32/29.1
- D800,402 S \* 10/2017 Ha ..... D32/29.1
- D808,091 S \* 1/2018 Pan ..... D32/1
- D815,376 S \* 4/2018 Lee ..... D32/25
- D816,282 S \* 4/2018 Kendall ..... D06F 29/005  
D32/6
- D818,220 S \* 5/2018 Yoo ..... D32/6
- D824,606 S \* 7/2018 Kendall ..... D06F 39/12  
D32/6
- D824,617 S \* 7/2018 Yoon ..... D32/29.1
- D830,021 S \* 10/2018 Joo ..... D32/29.1

(Continued)

**FOREIGN PATENT DOCUMENTS**

- IN 294152-0001 \* 2/2018
- WO WO D089840-001 \* 2/2016

*Primary Examiner* — John R Yeh

(74) *Attorney, Agent, or Firm* — Jie Tan; JT Law Services, PC

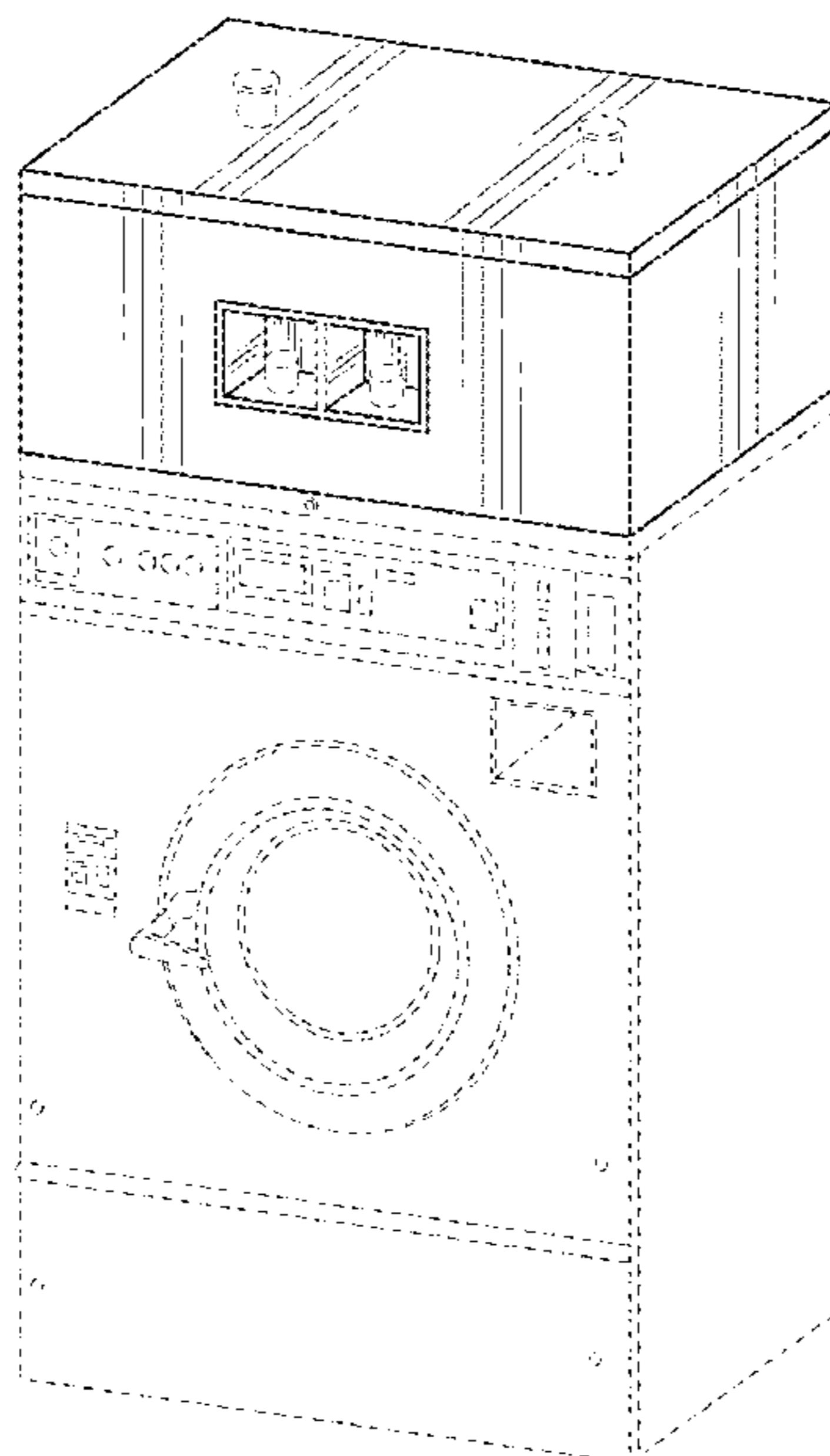
(57) **CLAIM**

I claim the ornamental design for a laundry machine add-on box for detergent dispensing, as shown and described.

**DESCRIPTION**

FIG. 1 is a front, top perspective view of the new design for a laundry machine add-on box for detergent dispensing. FIG. 2 is a front, top perspective view of the laundry machine add-on box for detergent dispensing in an environment of use; and, FIG. 3 is a rear, top perspective view of thereof. The broken lines in the drawings depict environment and portions of the laundry machine add-on box for detergent dispensing that form no part of the claimed design.

**1 Claim, 3 Drawing Sheets**



(56)

**References Cited**

U.S. PATENT DOCUMENTS

D830,022	S *	10/2018	Ha	.....	D32/29.1
10,119,217	B2 *	11/2018	Del Pos	.....	D06F 34/28
10,208,419	B2 *	2/2019	Underly	.....	D06F 39/12
10,570,551	B2 *	2/2020	Leibman	.....	D06F 39/022
10,835,358	B2 *	11/2020	Gerrits	.....	A61Q 11/02
11,028,521	B2 *	6/2021	Cannon	.....	D06F 37/12
2005/0172678	A1 *	8/2005	Kim	.....	A47B 91/022
					68/3 R
2005/0275325	A1 *	12/2005	Yang	.....	A47B 91/005
					312/330.1
2007/0119483	A1 *	5/2007	Gunnerson	.....	A47L 15/0084
					134/56 D
2007/0274879	A1 *	11/2007	Millikin	.....	A61L 2/10
					422/186.3
2012/0138106	A1 *	6/2012	Fountain	.....	A47L 15/4206
					134/111
2013/0047680	A1 *	2/2013	Han	.....	D06F 39/14
					68/5 C
2013/0186151	A1 *	7/2013	Welch	.....	D06F 39/02
					68/13 R
2016/0289883	A1 *	10/2016	Lv	.....	D06F 39/02
2018/0371672	A1 *	12/2018	Bockos	.....	D06F 34/28

\* cited by examiner

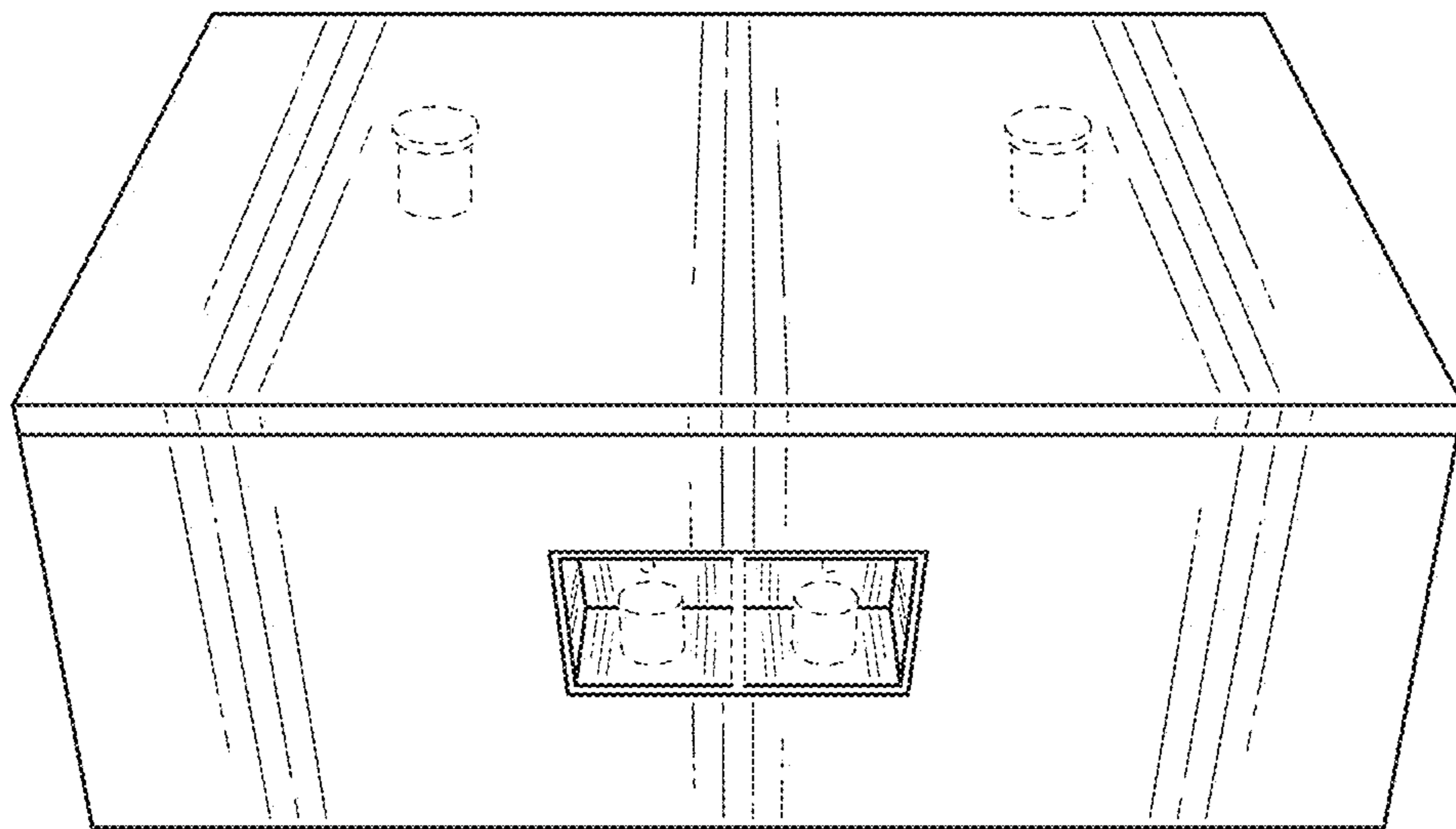


FIG. 1

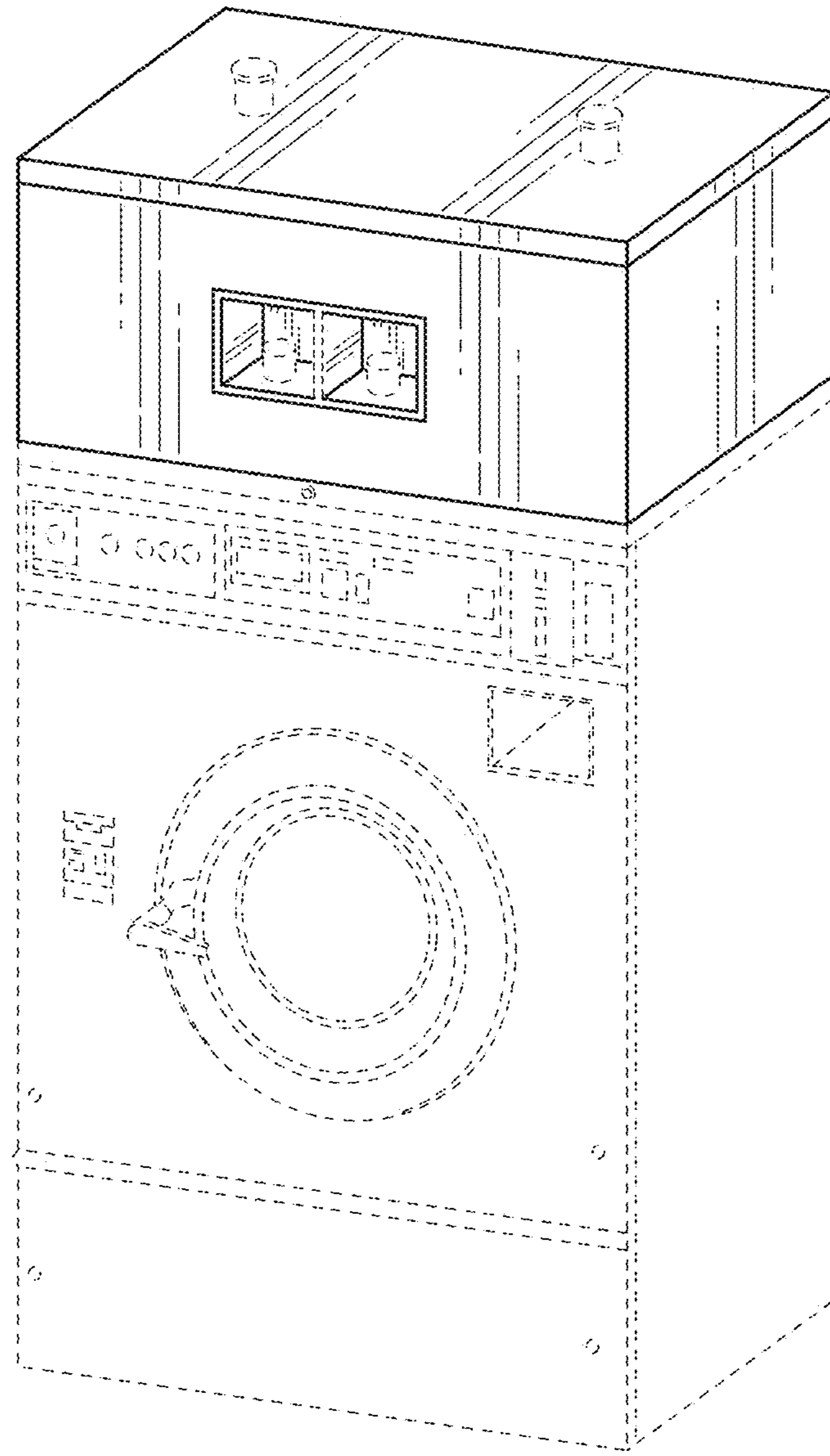


FIG. 2

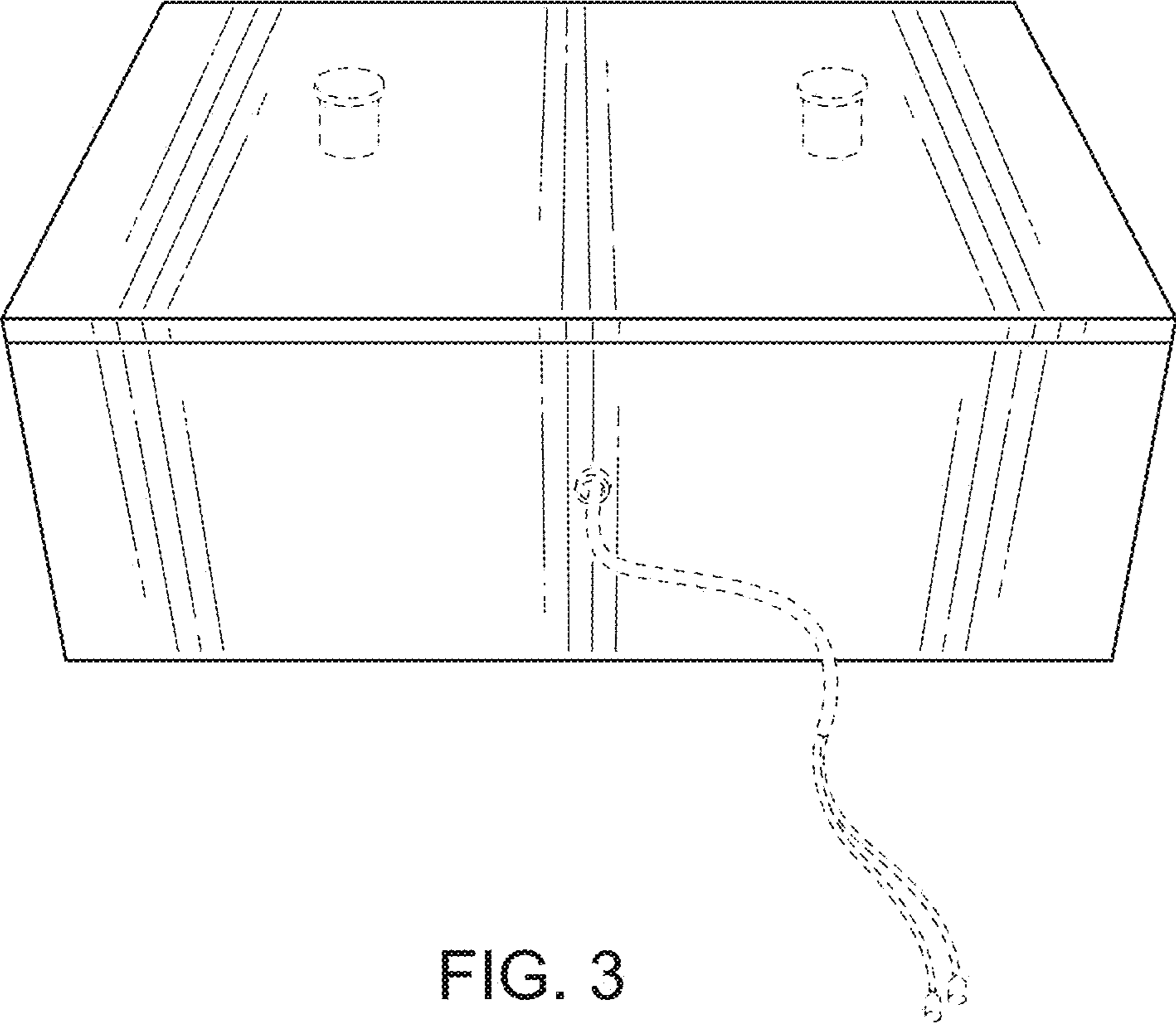


FIG. 3