



US00D927804S

(12) **United States Design Patent**
Song

(10) **Patent No.:** **US D927,804 S**

(45) **Date of Patent:** **** Aug. 10, 2021**

(54) **VACUUM CLEANER**

(71) Applicant: **Jiazhe Song**, Yuyao (CN)

(72) Inventor: **Jiazhe Song**, Yuyao (CN)

(**) Term: **15 Years**

(21) Appl. No.: **29/739,849**

(22) Filed: **Jun. 30, 2020**

(51) **LOC (13) Cl.** **15-05**

(52) **U.S. Cl.**
USPC **D32/18**

(58) **Field of Classification Search**
USPC D32/17, 18, 21, 23, 24, 31, 34, 22
CPC A47L 5/26; A47L 5/28; A47L 5/36; A47L
5/362; A47L 9/102; A47L 9/1683; A47L
9/32; A47L 5/225; A47L 5/24; A47L
9/106; A47L 9/149

See application file for complete search history.

(56) **References Cited**

U.S. PATENT DOCUMENTS

D283,064 S *	3/1986	Thomas	D32/18
D288,971 S *	3/1987	Hohulin	D32/18
D401,021 S *	11/1998	Stephens	D32/18
D448,894 S *	10/2001	Yuen	D32/18
D456,960 S *	5/2002	Vandenbelt	D32/18
D509,931 S *	9/2005	Ma	D32/18
D514,758 S *	2/2006	Lau	D32/18
D527,501 S *	8/2006	Tai	D32/18
D529,671 S *	10/2006	Yung	D32/18
D530,464 S *	10/2006	Tai	D32/18
D569,060 S *	5/2008	Stratford	D32/18
D579,161 S *	10/2008	Crawley	D32/18

D608,063 S *	1/2010	Okuda	D32/18
D608,511 S *	1/2010	Okuda	D32/18
D640,021 S *	6/2011	Houghton	D32/18
D720,102 S *	12/2014	Gu	D32/18
D792,039 S *	7/2017	Yoon	D32/18
D844,266 S *	3/2019	Wang	D32/18
D855,909 S *	8/2019	Ma	D32/18
D865,304 S *	10/2019	Sugie	D32/18
D869,794 S *	12/2019	Zhou	D32/18
D869,795 S *	12/2019	Wang	D32/18
D873,514 S *	1/2020	Huang	D32/18
D876,034 S *	2/2020	Zhou	D32/18
D880,086 S *	3/2020	Tan	D32/18
D882,192 S *	4/2020	Zhang	D32/18

* cited by examiner

Primary Examiner — Kimberly Barnes

(57) **CLAIM**

The ornamental design for a vacuum cleaner, as shown and described.

DESCRIPTION

FIG. 1 is a first perspective view of a vacuum cleaner showing my new design;

FIG. 2 is a second perspective view thereof;

FIG. 3 is a front view thereof;

FIG. 4 is a back view thereof;

FIG. 5 is a left side view thereof;

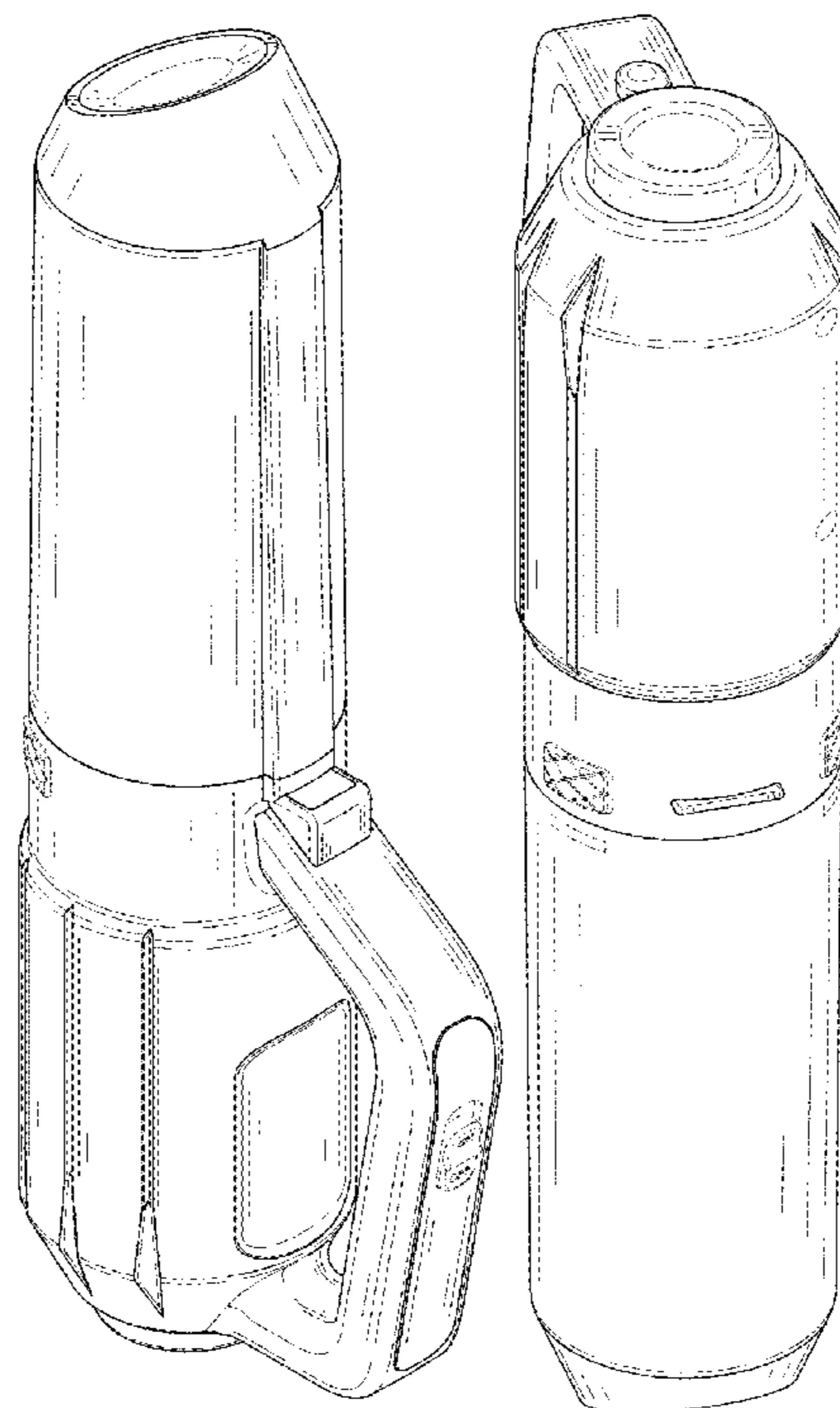
FIG. 6 is a right side view thereof;

FIG. 7 is a top view thereof; and,

FIG. 8 is a bottom view thereof.

The broken lines shown in the drawings depict portions of the vacuum cleaner that form no part of the claimed design.

1 Claim, 8 Drawing Sheets



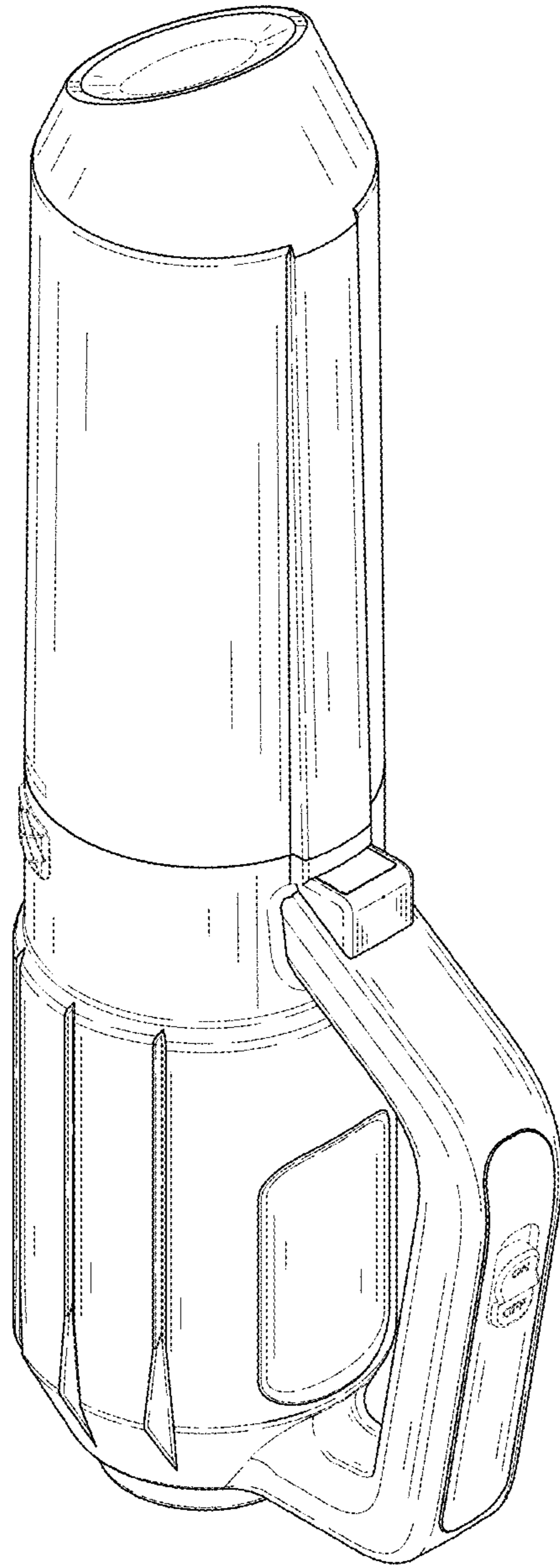


FIG. 1

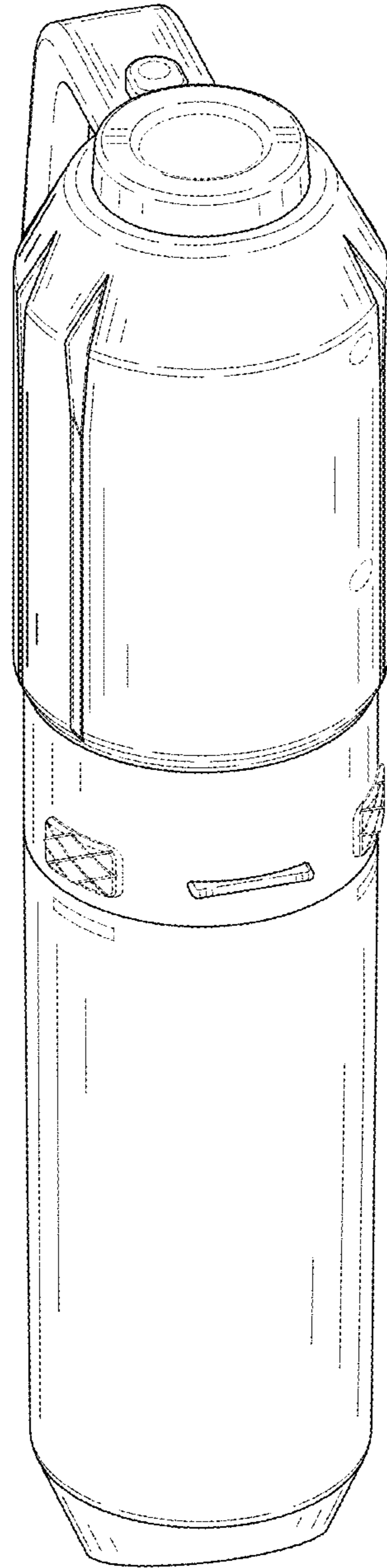


FIG. 2

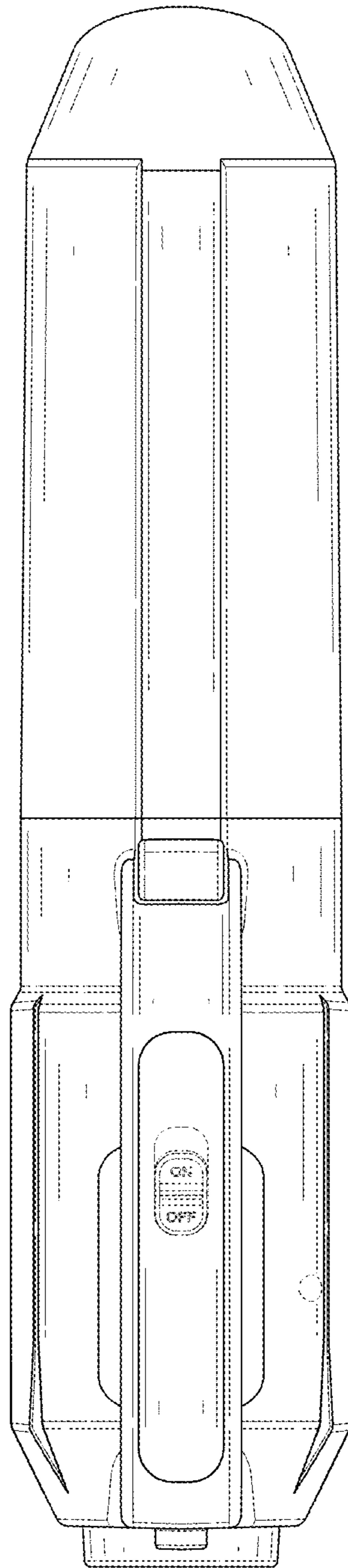


FIG. 3

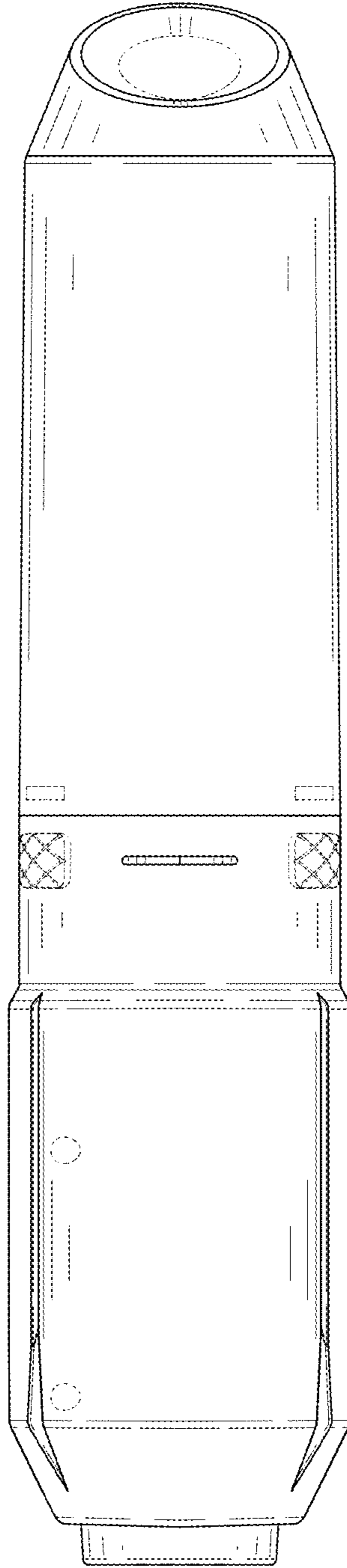


FIG. 4

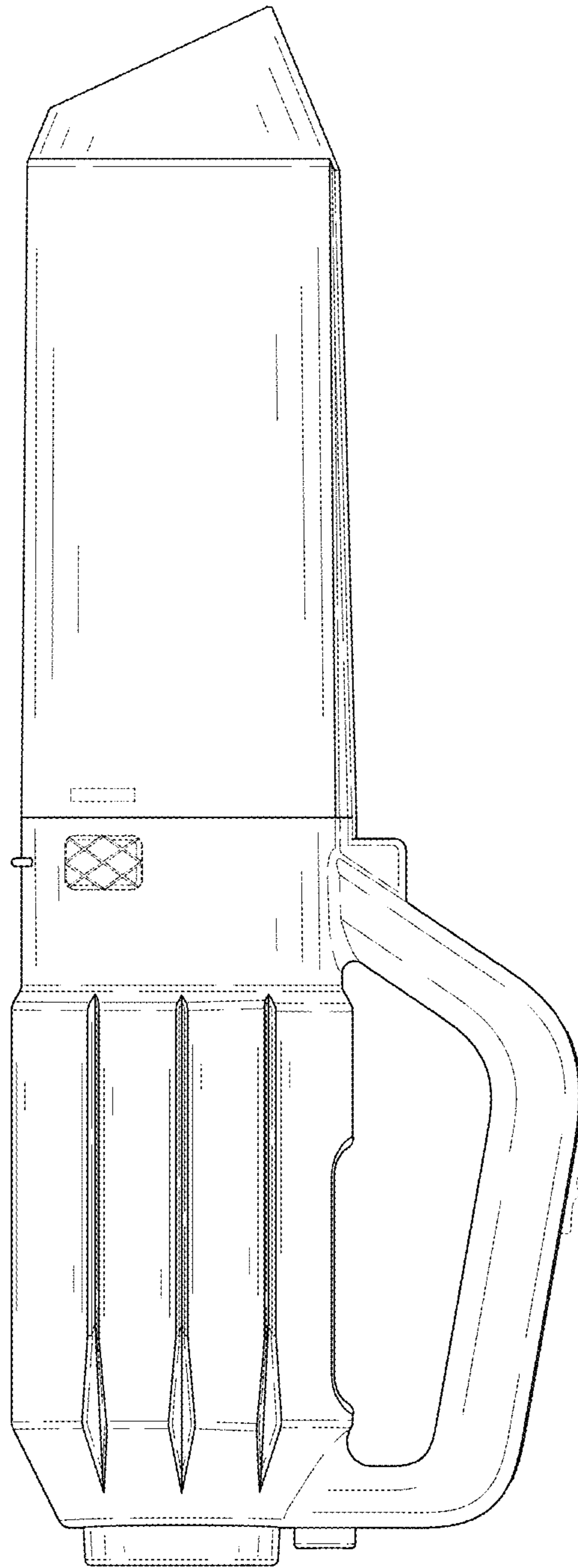


FIG. 5

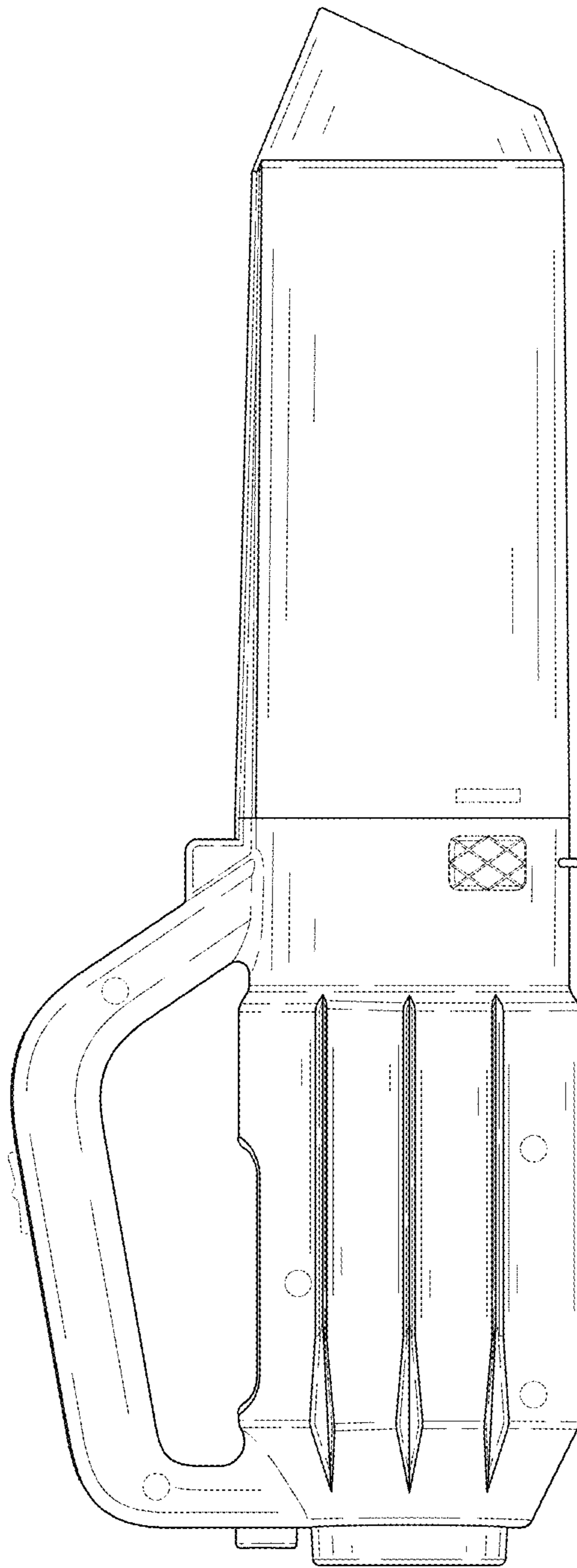


FIG. 6

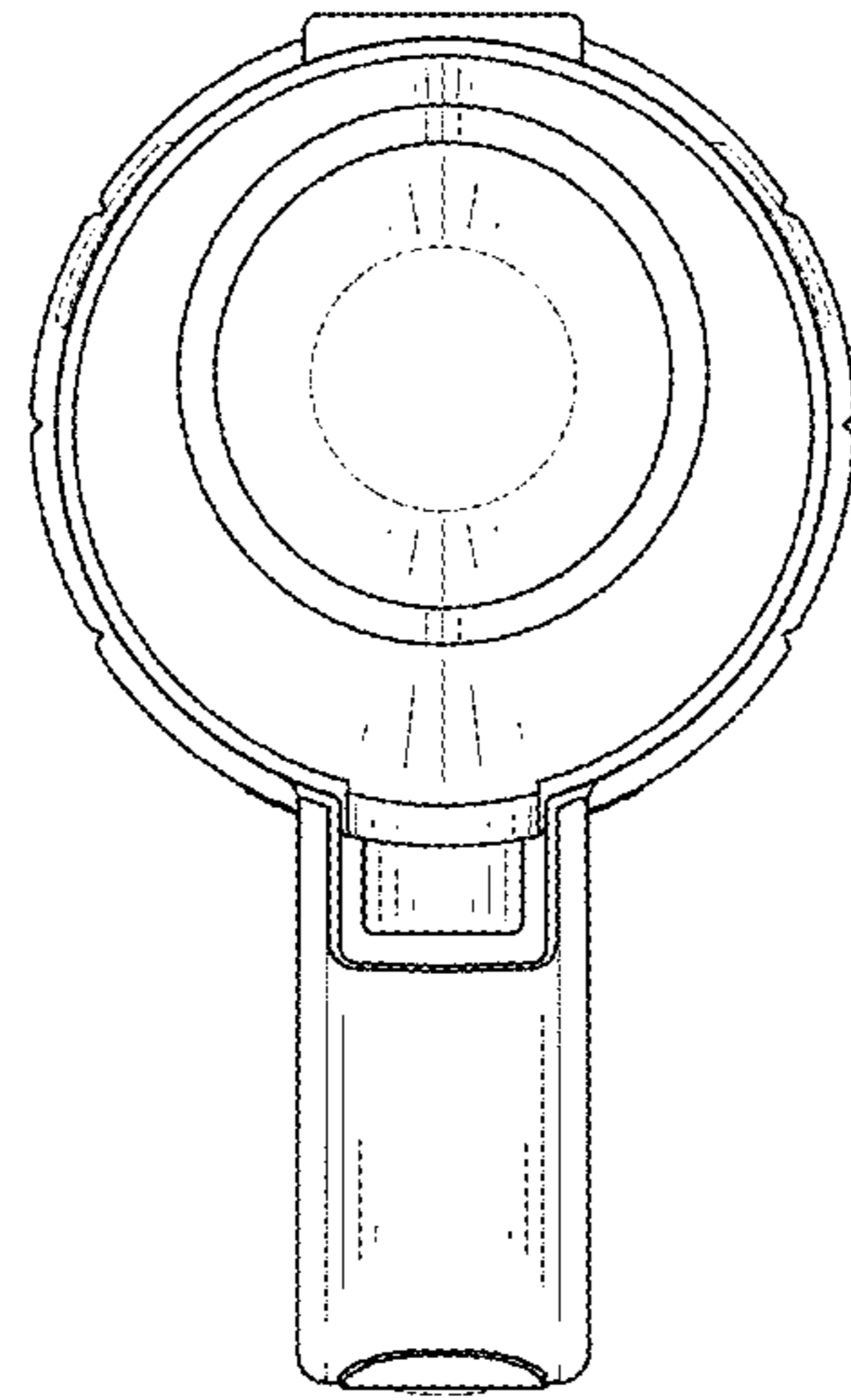


FIG. 7

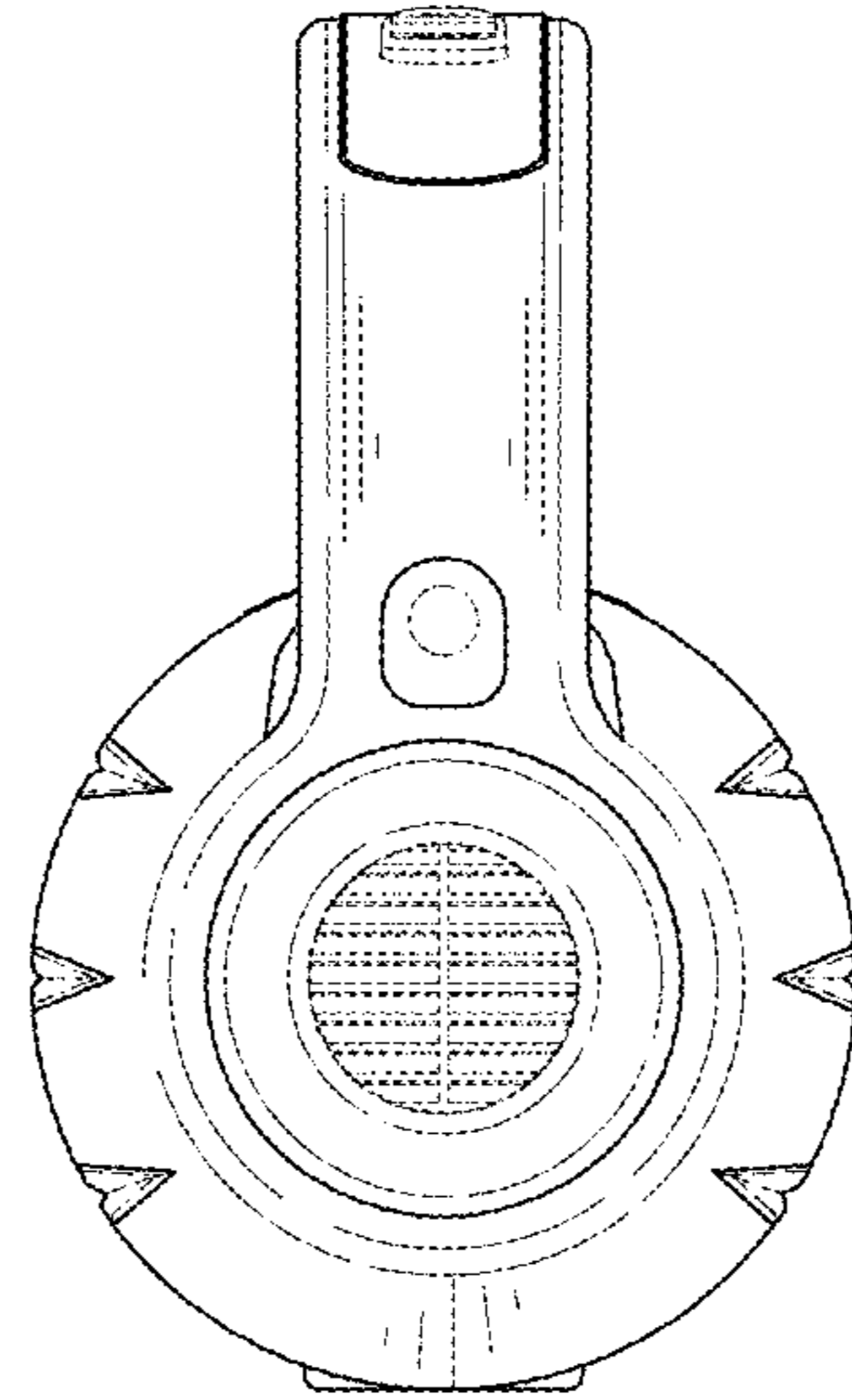


FIG. 8