



US00D927803S

(12) **United States Design Patent**
Zou

(10) **Patent No.:** **US D927,803 S**
(45) **Date of Patent:** **** Aug. 10, 2021**

- (54) **CORDLESS VACUUM CLEANER**
- (71) Applicant: **Suzhou CHO Electric Appliance Co., Ltd, Jiangsu (CN)**
- (72) Inventor: **Zongbin Zou, Sichuan (CN)**
- (73) Assignee: **Suzhou CHO Electric Appliance Co., Ltd, Suzhou (CN)**
- (**) Term: **15 Years**

- (21) Appl. No.: **29/701,396**
- (22) Filed: **Aug. 12, 2019**
- (30) **Foreign Application Priority Data**

Aug. 1, 2019 (CN) 201930416206.6

- (51) **LOC (13) Cl.** **15-05**
- (52) **U.S. Cl.**
USPC **D32/18**
- (58) **Field of Classification Search**
USPC D32/17, 18, 22, 31; D21/526
CPC A47L 5/24; A47L 5/28; A47L 5/30; A47L 5/34; A47L 5/36; A47L 9/04; A47L 9/102; A47L 9/106; A47L 11/30; A47L 11/302; A47L 11/4005; A47L 11/4008; A47L 11/4044; B04C 5/185; B23Q 11/0046; B23Q 11/0071; E04H 4/1636
See application file for complete search history.

- (56) **References Cited**
U.S. PATENT DOCUMENTS

D191,300 S *	9/1961	Anderson	D32/22
D731,130 S *	6/2015	Dyson	D32/18
D738,052 S *	9/2015	Kim	D32/18
D844,912 S *	4/2019	Gammack	D32/18
D871,695 S *	12/2019	Niedzwecki	D32/22
D897,616 S *	9/2020	Chen	D32/22
D912,344 S *	3/2021	Choi	D32/22
10,959,588 B2 *	3/2021	Conrad	A47L 9/1666

D918,502 S *	5/2021	Ma	D32/18
D920,609 S *	5/2021	Ma	D32/21
2017/0209014 A1 *	7/2017	Stickney	A47L 9/242

(Continued)

FOREIGN PATENT DOCUMENTS

JP	D1642269	*	9/2019
JP	D1655533	*	3/2020

(Continued)

OTHER PUBLICATIONS

WOWGO Cordless Stick Vacuum Cleaner, available in Amazon.com, customer review oldest date Jan. 13, 2020 [online], [site visited Feb. 19, 2021], Available from the internet URL: https://www.amazon.com/gp/product/B081GW92F5/ref=as_li_ss_tl?ie=UTF8&psc=1&linkCode=s11&tag=xennial01-20&linkId=b82a21661e683d18f098f7587bfe4f30&language=en_US(Year: 2020).*

(Continued)

Primary Examiner — Dana K Weiland
Assistant Examiner — Jennylou M Binas

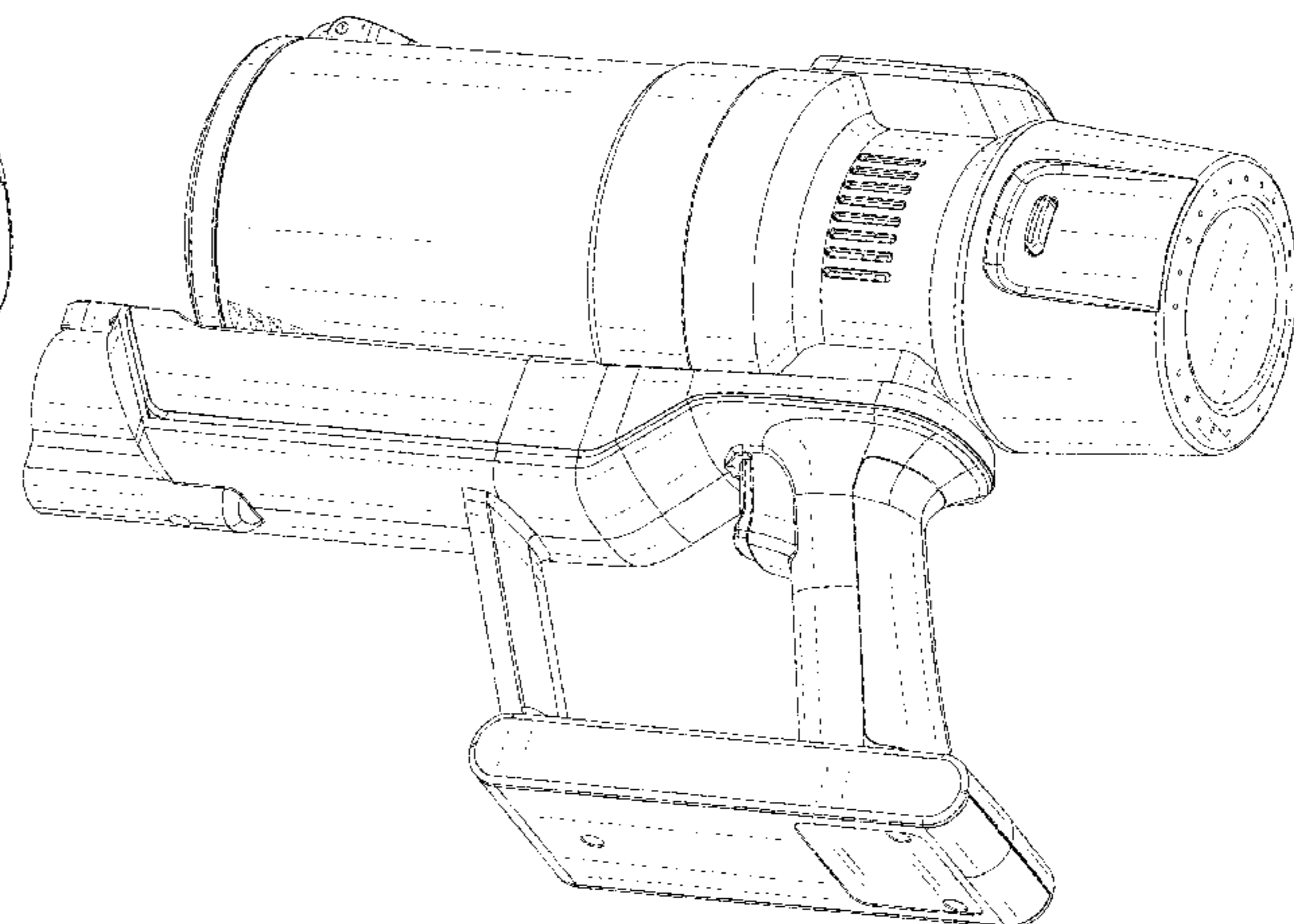
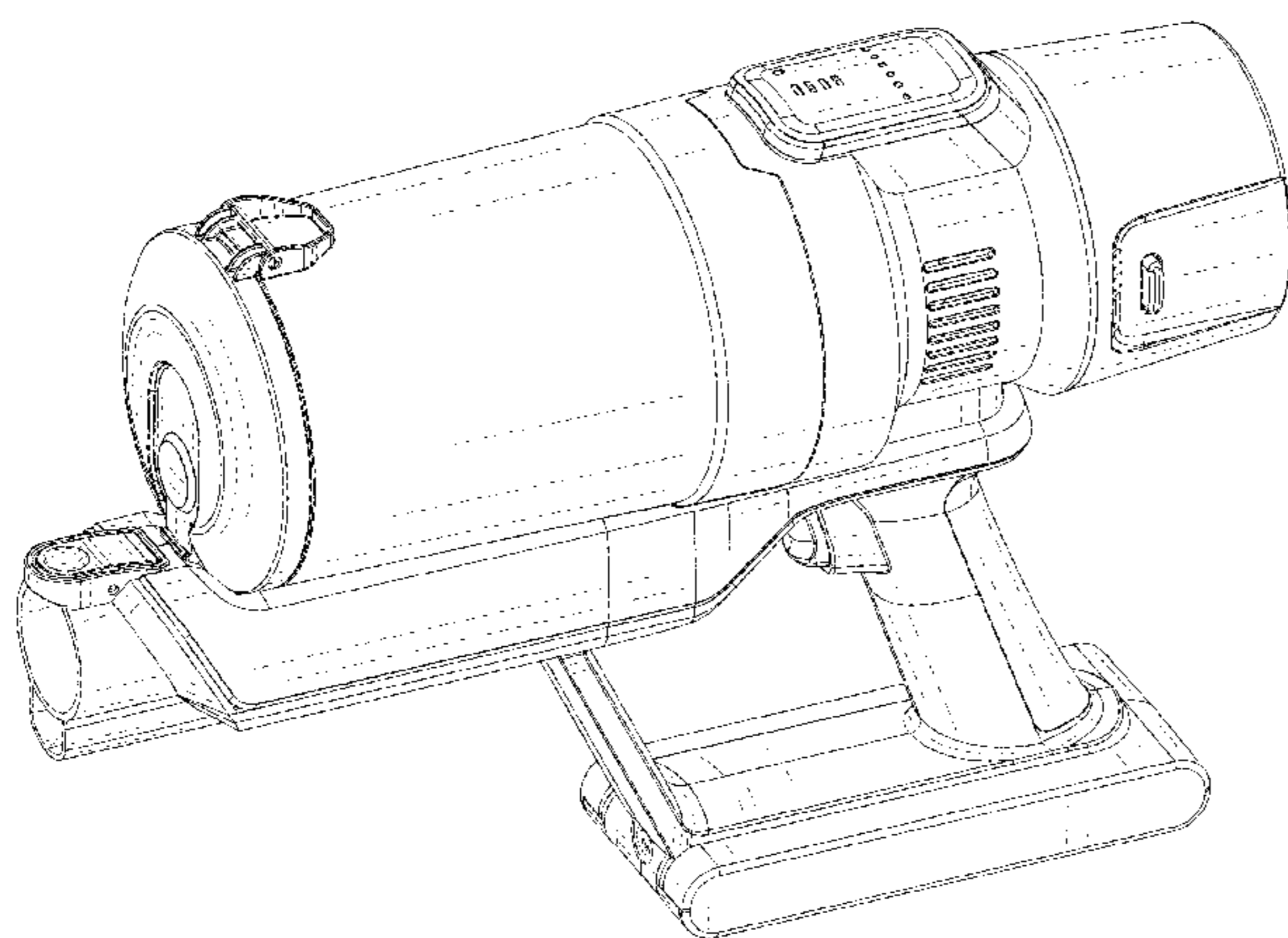
(57) **CLAIM**

The ornamental design for a cordless vacuum cleaner, as shown and described.

DESCRIPTION

FIG. 1 is a perspective view of a cordless vacuum cleaner showing my new design;
FIG. 2 is another perspective view thereof;
FIG. 3 is a front elevation view thereof;
FIG. 4 is a back elevation view thereof;
FIG. 5 is a left side view thereof;
FIG. 6 is a right side view thereof;
FIG. 7 is a top plan view thereof; and,
FIG. 8 is a bottom plan view thereof.
The broken lines in the figures illustrate portions of the cordless vacuum cleaner that form no part of the claimed design.

1 Claim, 8 Drawing Sheets



(56)

References Cited

U.S. PATENT DOCUMENTS

2018/0055313 A1* 3/2018 Yang A47L 9/02
2019/0029487 A1* 1/2019 Zhou A47L 5/26
2019/0387943 A1* 12/2019 Kim A47L 5/24
2020/0029760 A1* 1/2020 Seo A47L 11/2025
2020/0163509 A1* 5/2020 Percy-Raine B01D 46/0056
2020/0245833 A1* 8/2020 Lee A47L 9/1683

FOREIGN PATENT DOCUMENTS

KR 301034790.0000 * 12/2019
KR 301053712.0000 * 4/2020
KR 301071119.0000 * 8/2020

OTHER PUBLICATIONS

ORFELD Cordless Stick Vacuum, available in Amazon.com, customer review oldest date May 20, 2020 [online], [site visited Feb. 19, 2021], Available from the internet URL: https://www.amazon.com/ORFELD-Cordless-Lithium-ion-Batteries-Japanese/dp/B08736YYC5/ref=sr_1_9?dchild=1&keywords=WOWGO+Cordless+Stick+Vacuum+Cleaner&qid=1613749308&s=home-garden&sr=1-9 (Year: 2020).*

JASHEN V18 Cordless Vacuum Cleaner, available in Amazon.com, customer review oldest date Dec. 1, 2020 [online], [site visited Feb. 19, 2021], Available from the internet URL: <https://www.geekbuying.com/item/JASHEN-V18-Cordless-Vacuum-Cleaner--350W-Power-Strong-Suction-Blue-426618.html> (Year: 2020).*

* cited by examiner

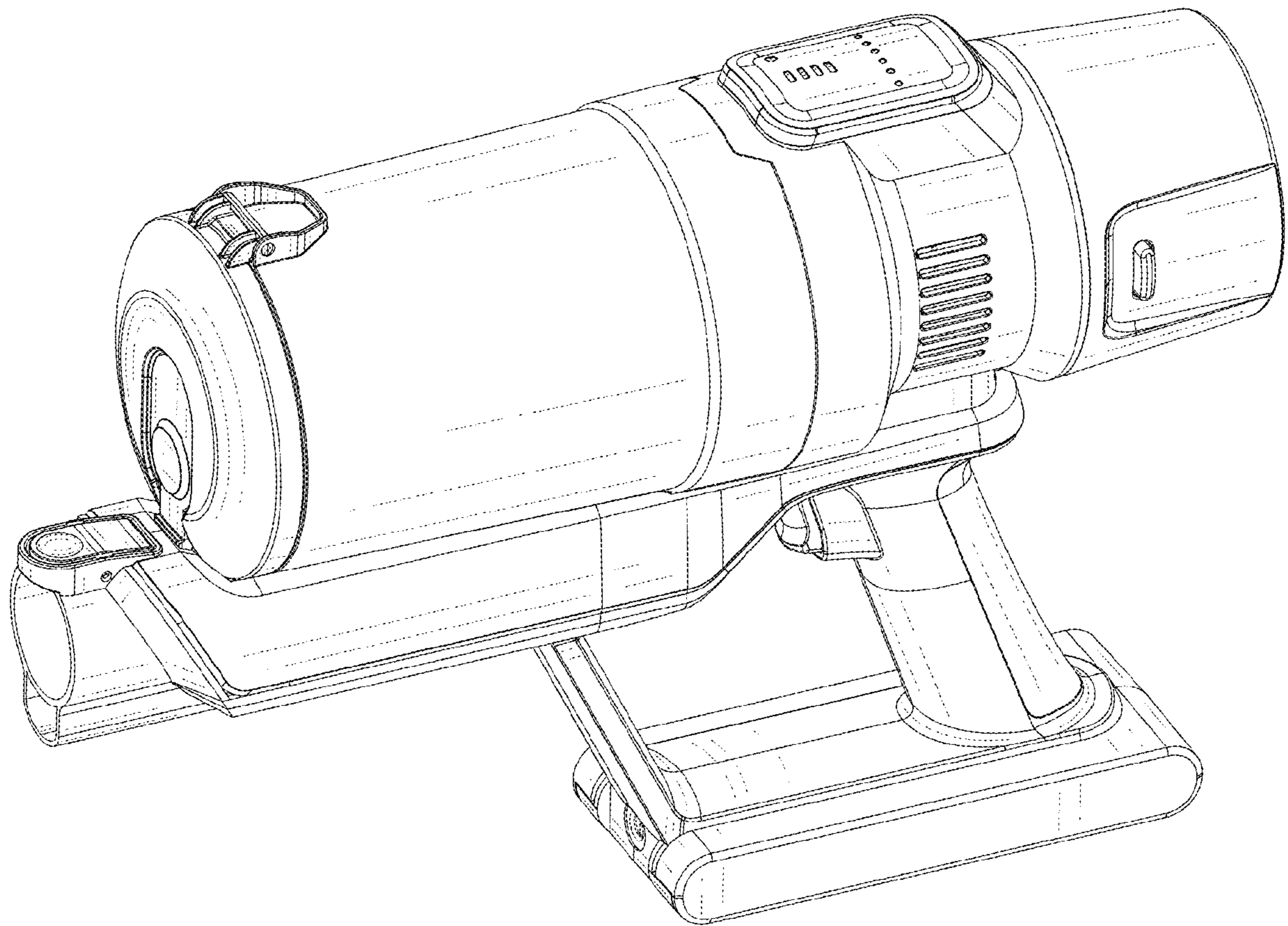


FIG. 1

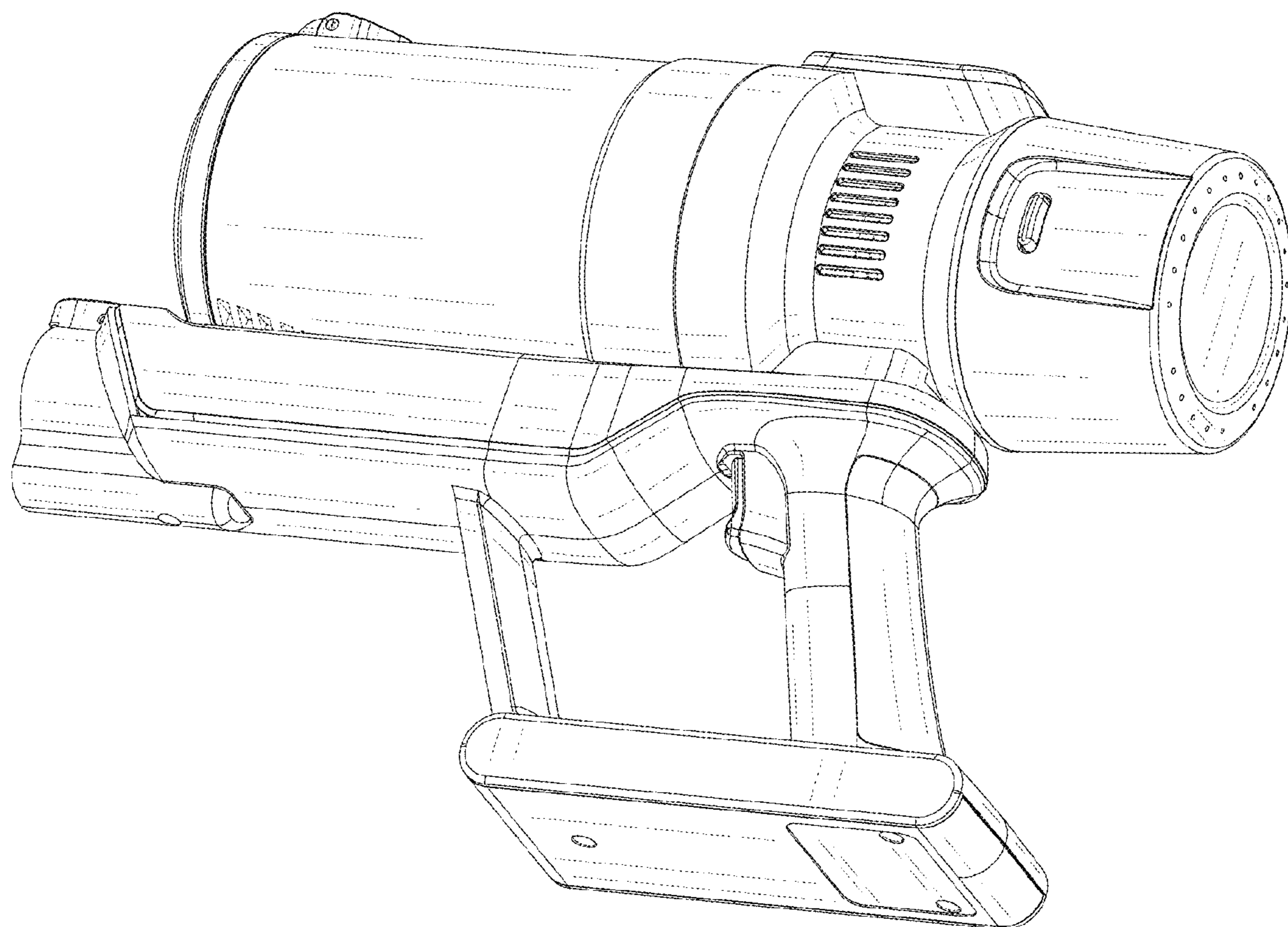


FIG. 2

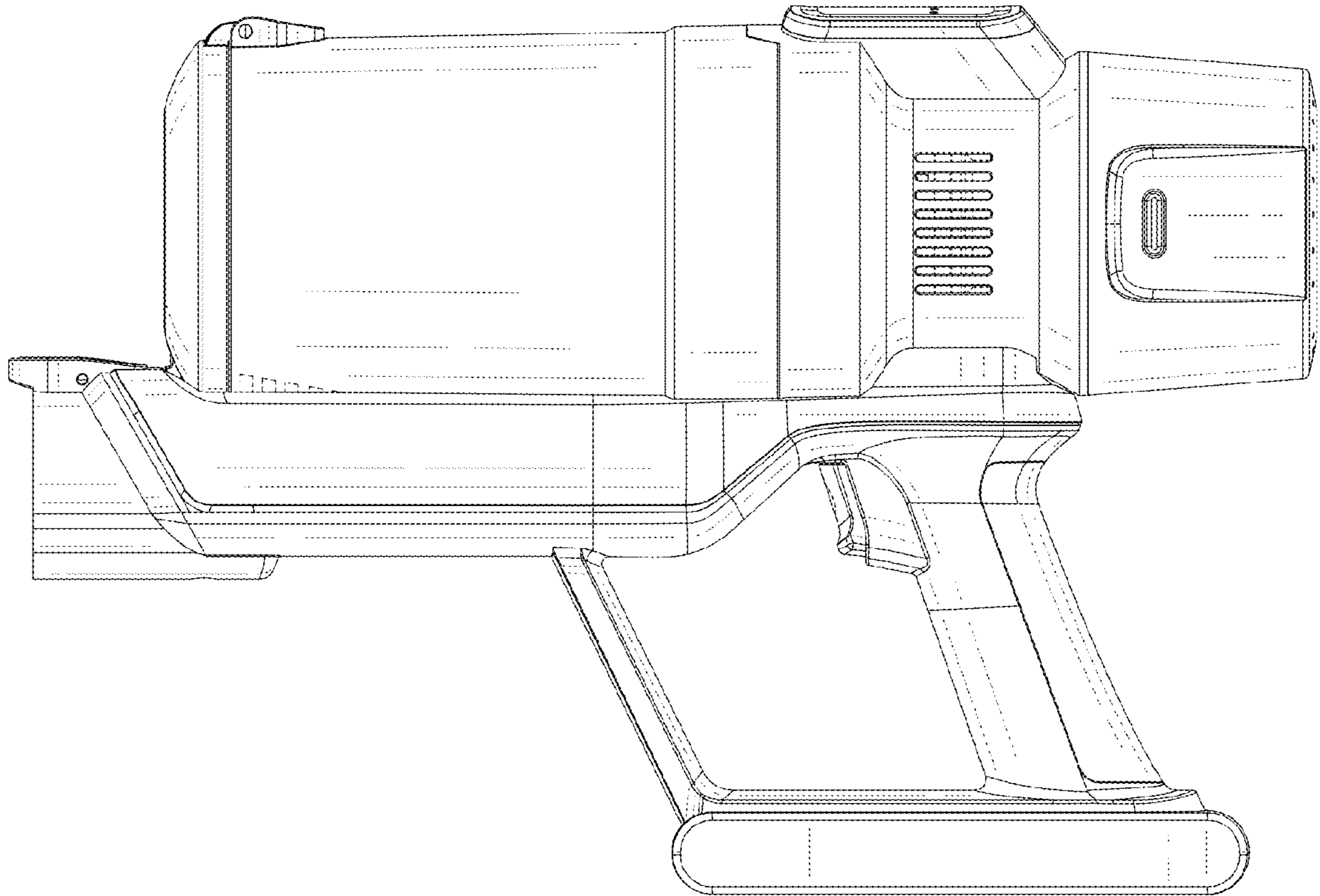


FIG. 3

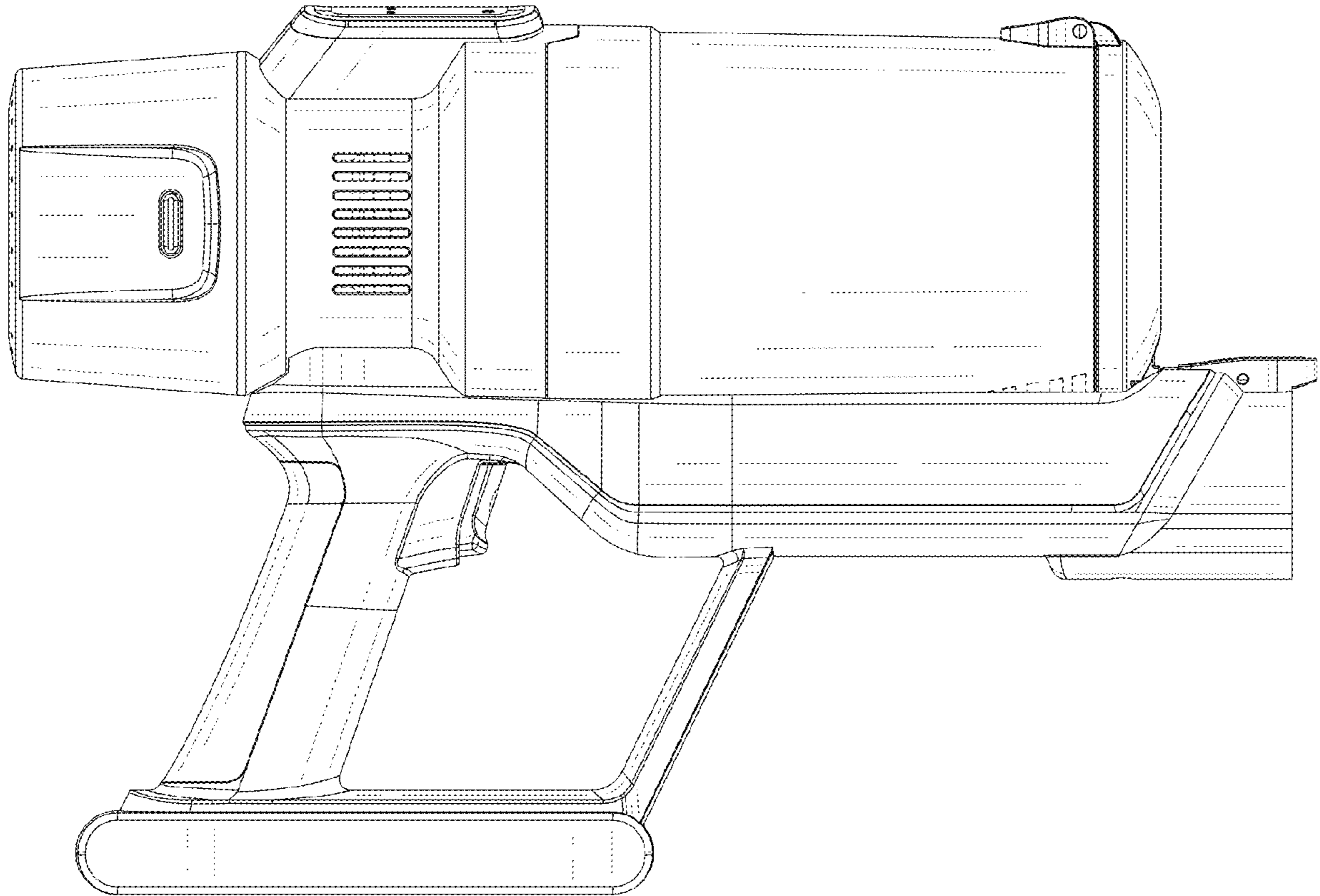


FIG. 4

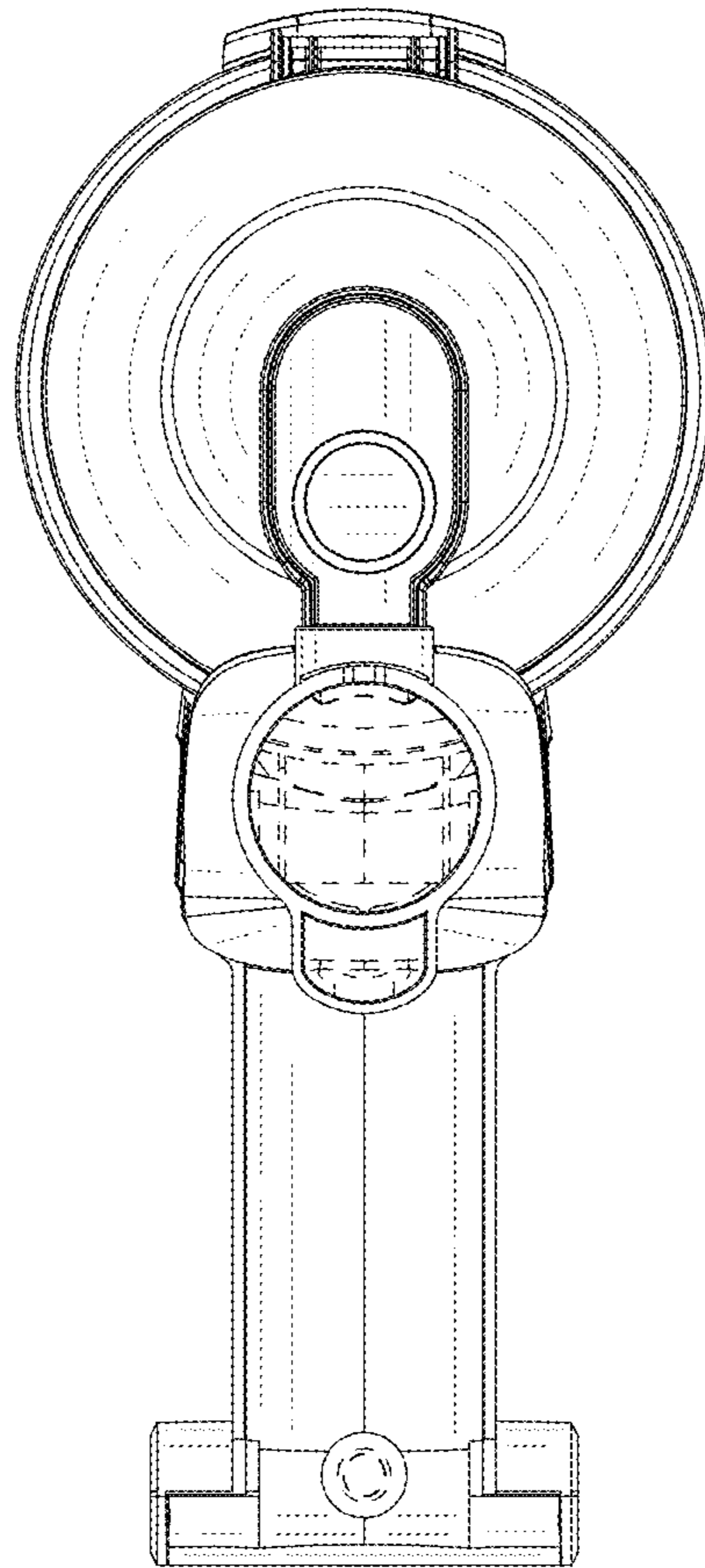


FIG. 5

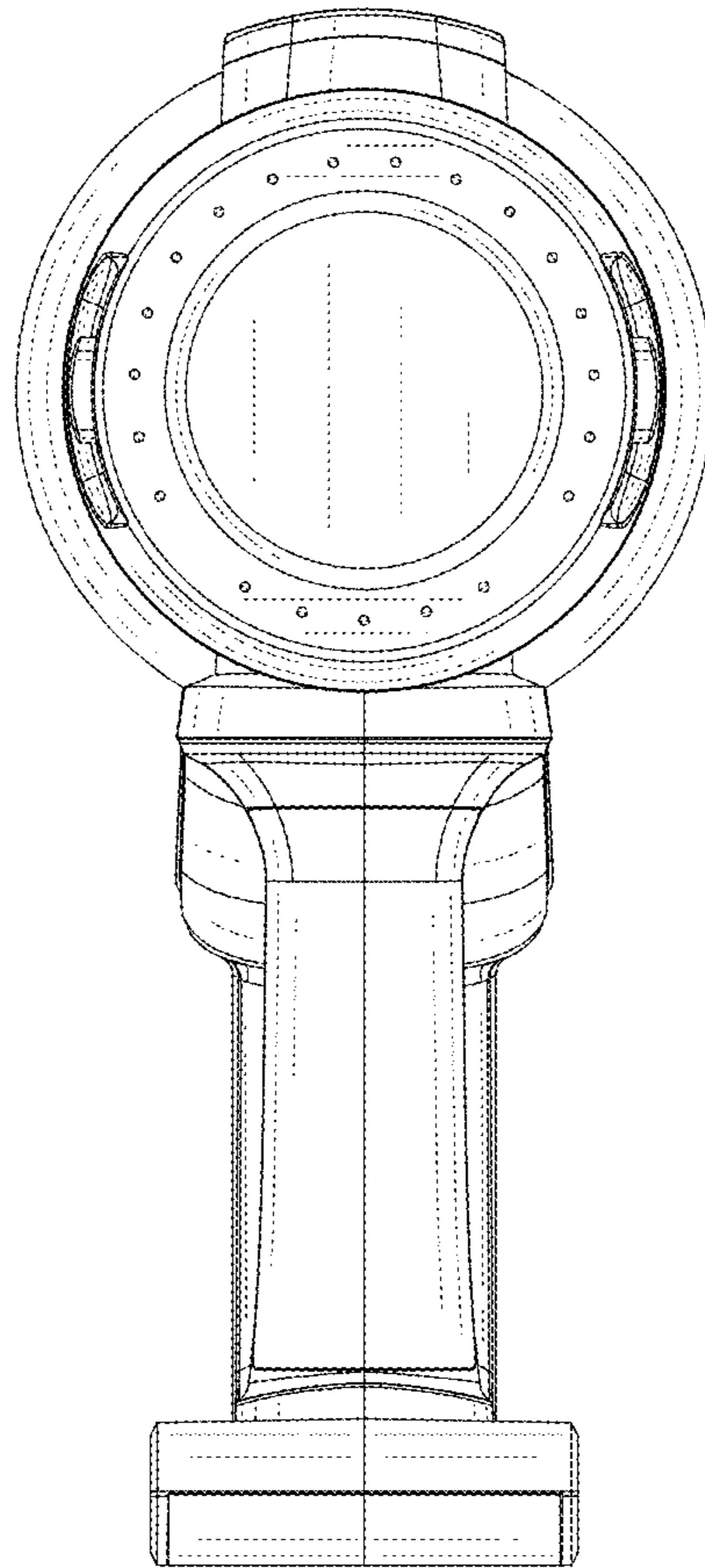


FIG. 6

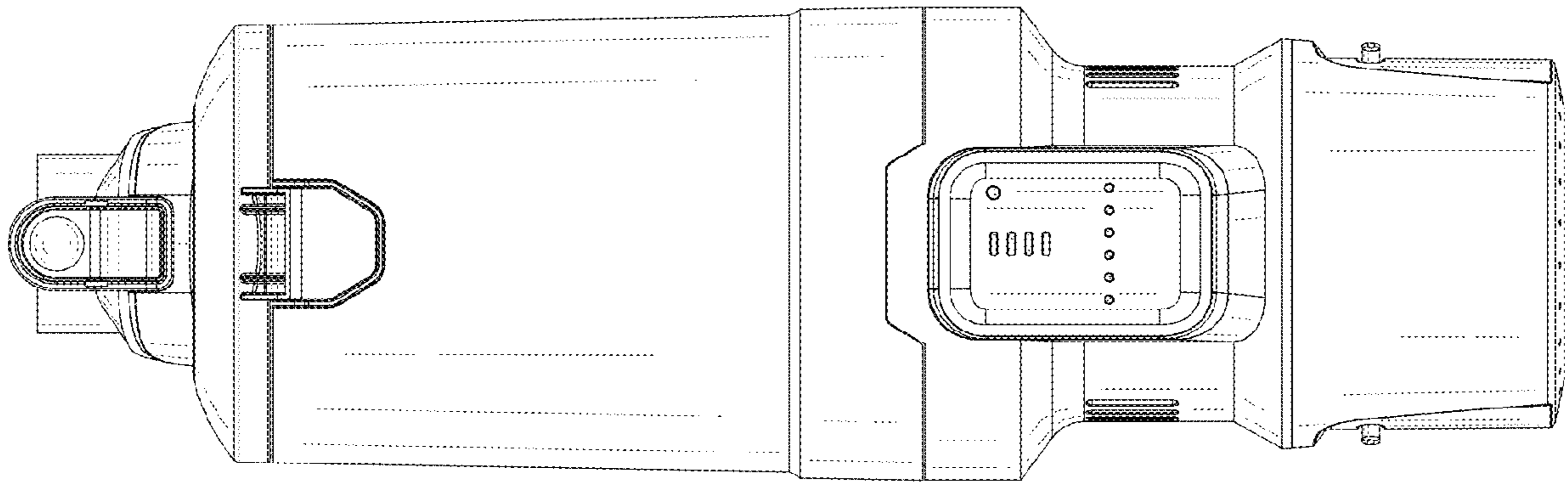


FIG. 7

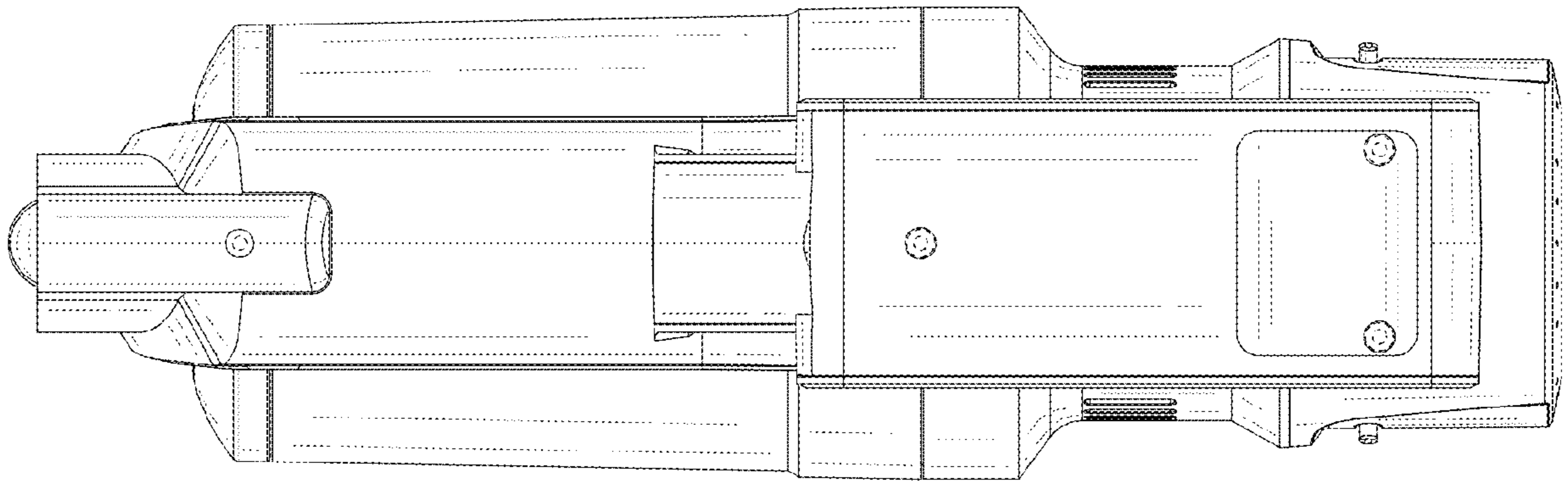


FIG. 8