



US00D927802S

(12) **United States Design Patent**
Alexander

(10) **Patent No.:** **US D927,802 S**

(45) **Date of Patent:** **** Aug. 10, 2021**

(54) **PRESSURE WASHER**

(71) Applicant: **FNA Group, Inc.**, Pleasant Prairie, WI (US)

(72) Inventor: **Gus Alexander**, Inverness, IL (US)

(73) Assignee: **FNA GROUP, INC.**, Pleasant Prairie, WI (US)

(**) Term: **15 Years**

(21) Appl. No.: **29/714,684**

(22) Filed: **Nov. 25, 2019**

(51) **LOC (13) Cl.** **15-05**

(52) **U.S. Cl.**
USPC **D32/15**

(58) **Field of Classification Search**
USPC D15/3, 15, 199; D16/219; D26/48;
D32/4, 15, 21, 25
CPC H04N 5/232; G03B 15/03; F01M 1/10;
F01M 1/00; G06F 9/30036; G06F 16/27;
B05B 7/12; B01J 47/002; A62C 13/76
See application file for complete search history.

(56) **References Cited**

U.S. PATENT DOCUMENTS

D394,322 S *	5/1998	Dalton	D26/48
D490,948 S *	6/2004	Cattaneo	D32/15
D521,694 S *	5/2006	Ricker	D32/15
D532,166 S *	11/2006	Reverberi	D32/4
D551,812 S *	9/2007	Renner	D32/15
D551,814 S *	9/2007	Renner	D32/15
D556,959 S *	12/2007	Li	D32/15
D559,481 S *	1/2008	Renner	D32/15
D563,612 S *	3/2008	Li	D32/15
D564,146 S *	3/2008	Li	D32/15
D564,147 S *	3/2008	Li	D32/15
D570,060 S *	5/2008	Renner	D32/15
D574,561 S *	8/2008	Ni	D32/16

D591,014 S *	4/2009	Li	D32/15
D605,797 S *	12/2009	Baker	D26/48
D630,390 S *	1/2011	Meyer	D32/15
D646,853 S *	10/2011	Alexander	D32/15
D647,256 S *	10/2011	Alexander	D32/15
D647,257 S *	10/2011	Alexander	D32/15

(Continued)

OTHER PUBLICATIONS

Northstar pressure washer kit https://www.northerntool.com/shop/tools/product_200750783_200750783 (Year: 2021).*

(Continued)

Primary Examiner — Michelle E. Wilson

Assistant Examiner — Richard E Yenchesky

(74) *Attorney, Agent, or Firm* — Hanley, Flight & Zimmerman, LLC

(57) **CLAIM**

The ornamental design for a “pressure washer”, as shown and described in FIGS. 1-8.

DESCRIPTION

FIG. 1 is a front, right perspective view of a pressure washer. FIG. 2 is a rear, left perspective view of the pressure washer of FIG. 1.

FIG. 3 is a left, front perspective view of the pressure washer of FIG. 1.

FIG. 4 is a right view of the pressure washer of FIG. 1.

FIG. 5 is a left view of the pressure washer of FIG. 1.

FIG. 6 is a rear view of the pressure washer of FIG. 1.

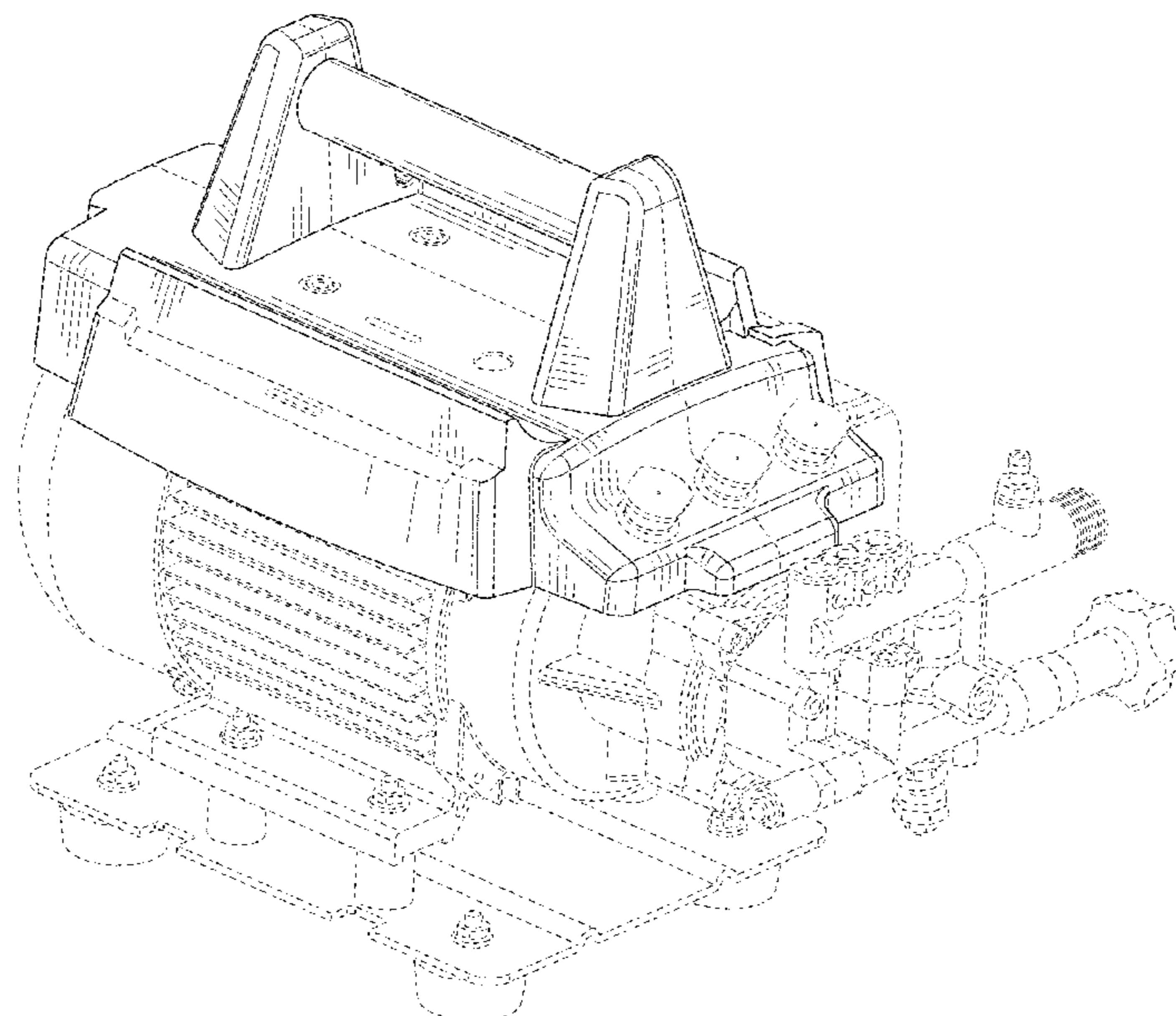
FIG. 7 is a front view of the pressure washer of FIG. 1; and,

FIG. 8 is a top view of the pressure washer of FIG. 1.

The features shown in broken lines form no part of the claimed design.

The lighter solid lines denote surfaces and contours. Line shading is not surface ornamentation.

1 Claim, 8 Drawing Sheets



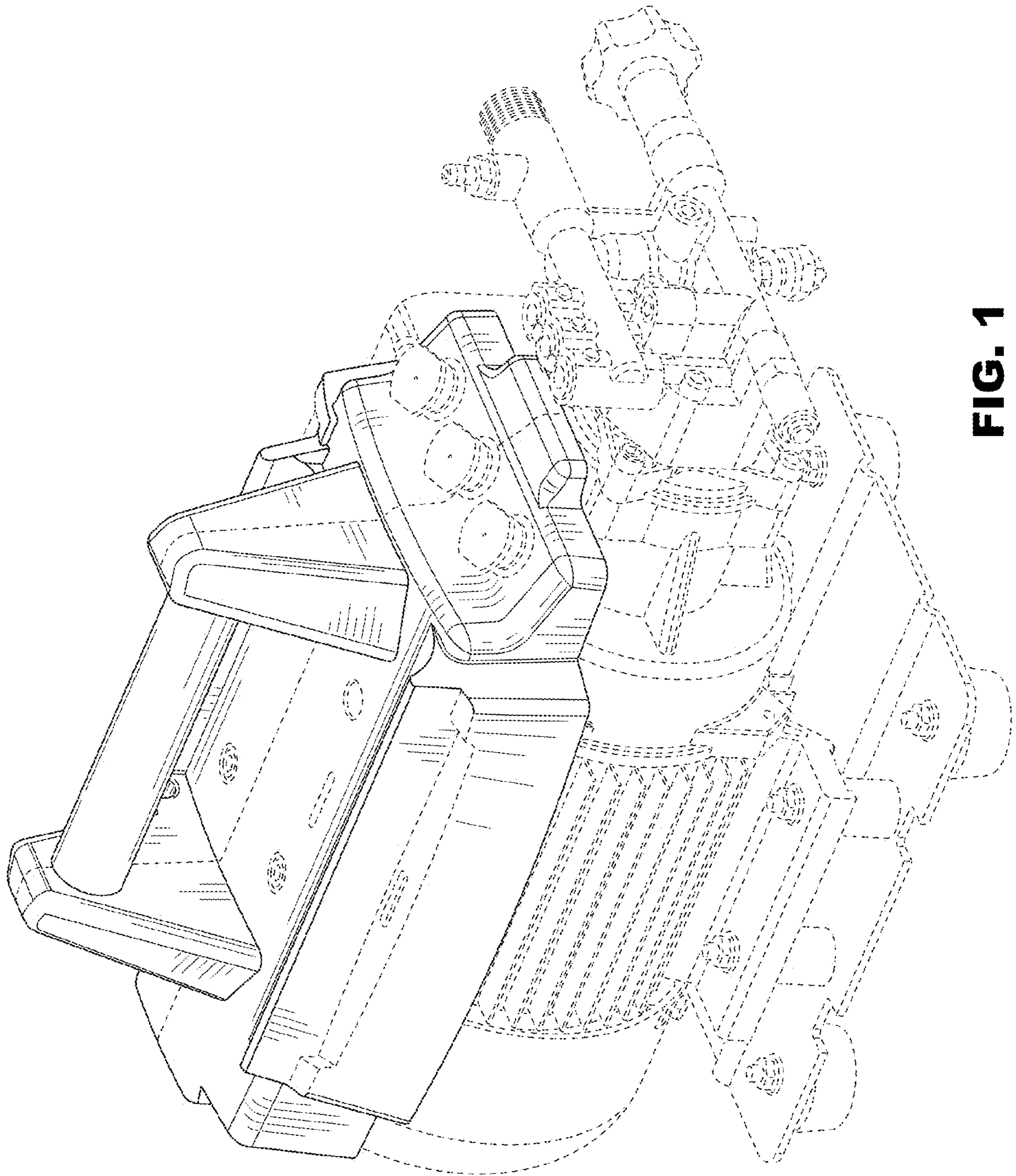


FIG. 1

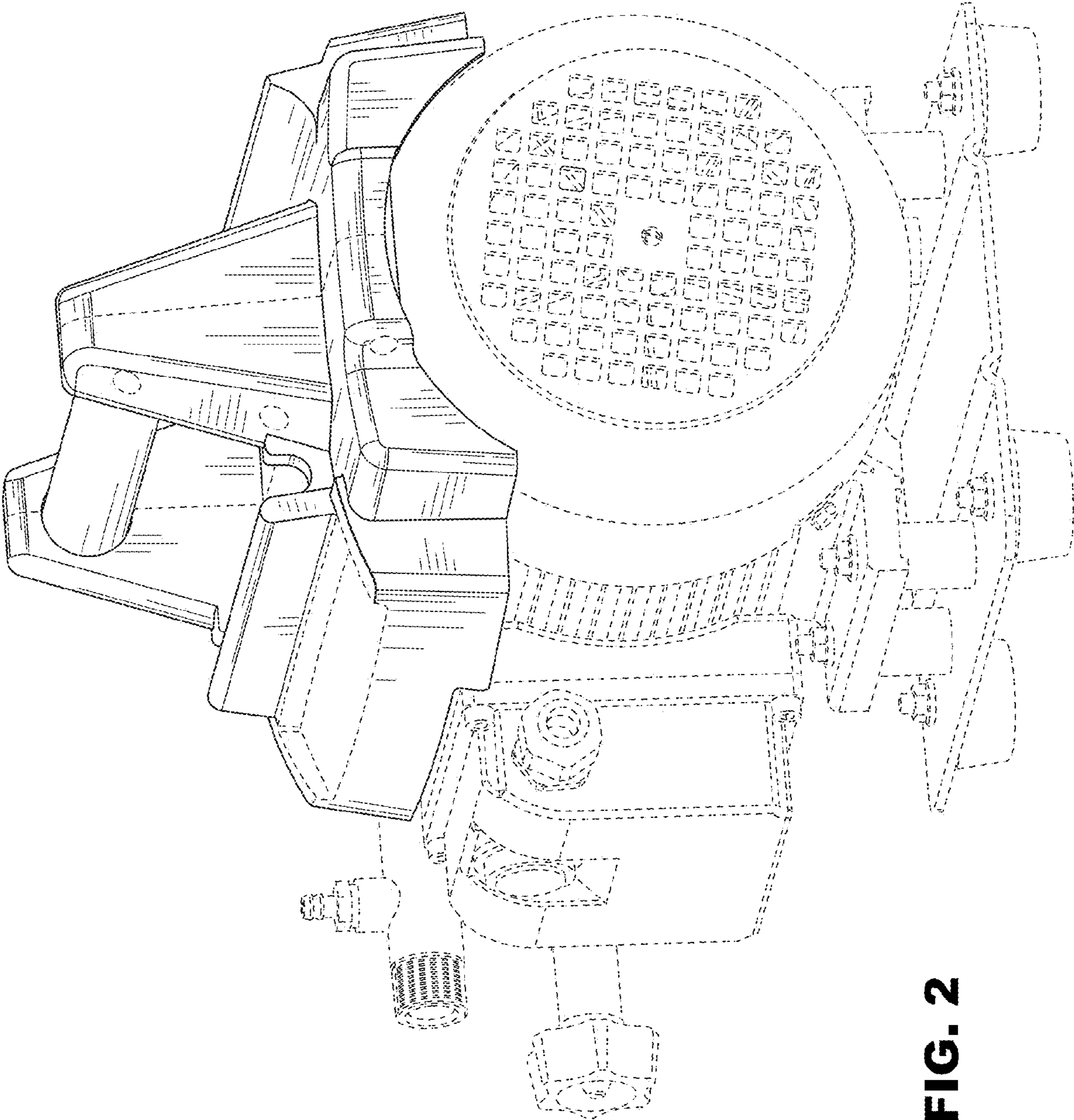


FIG. 2

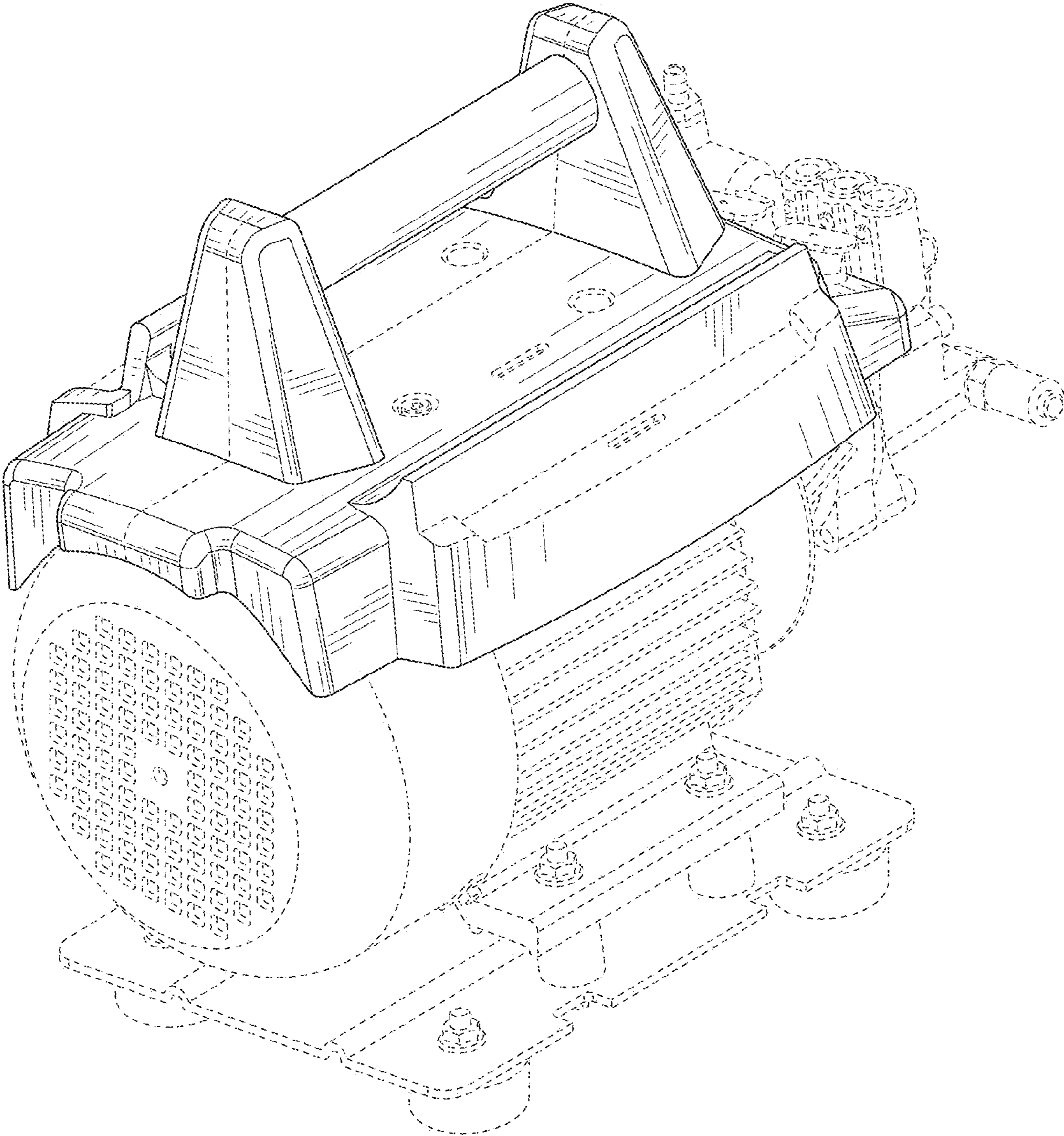


FIG. 3

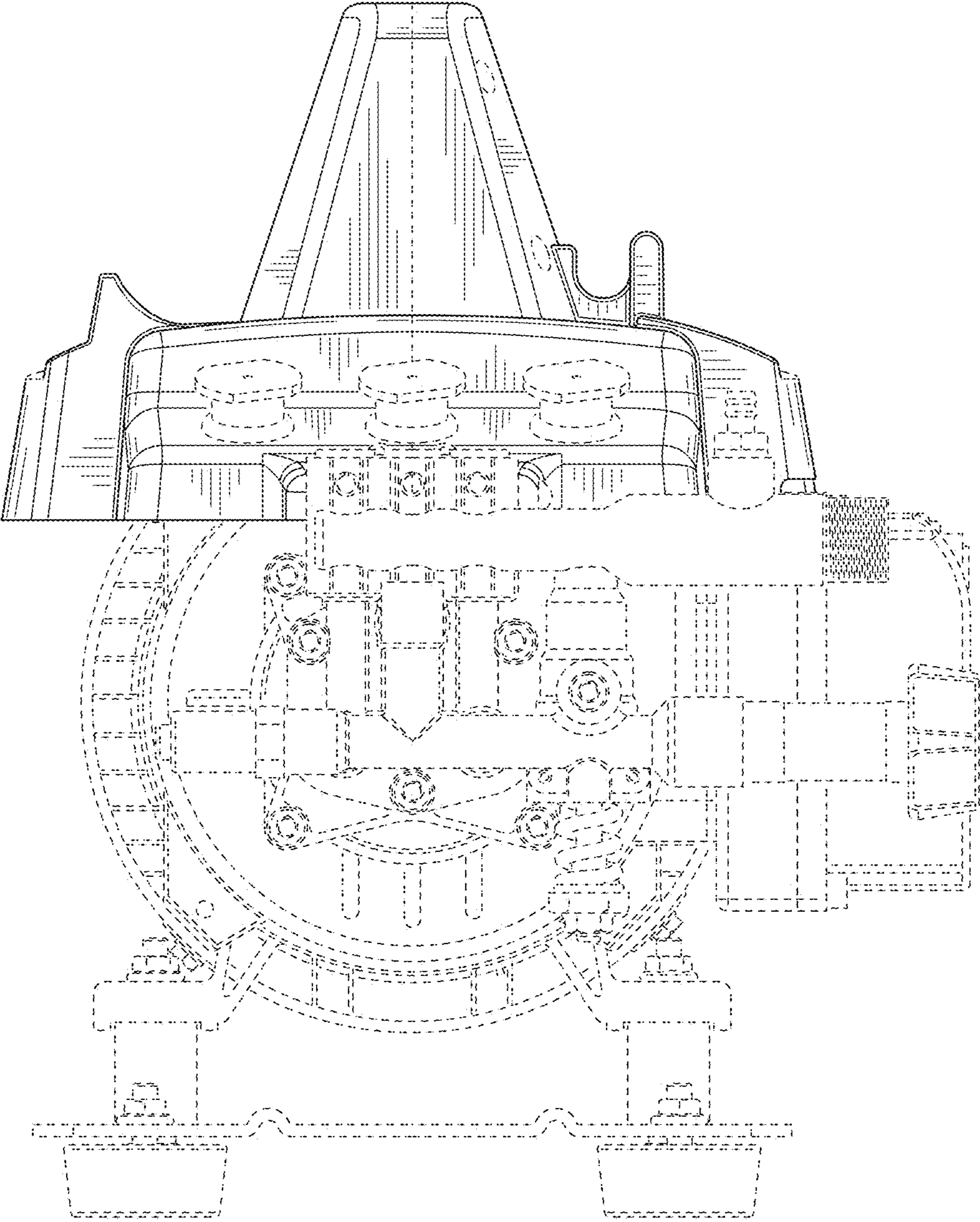


FIG. 4

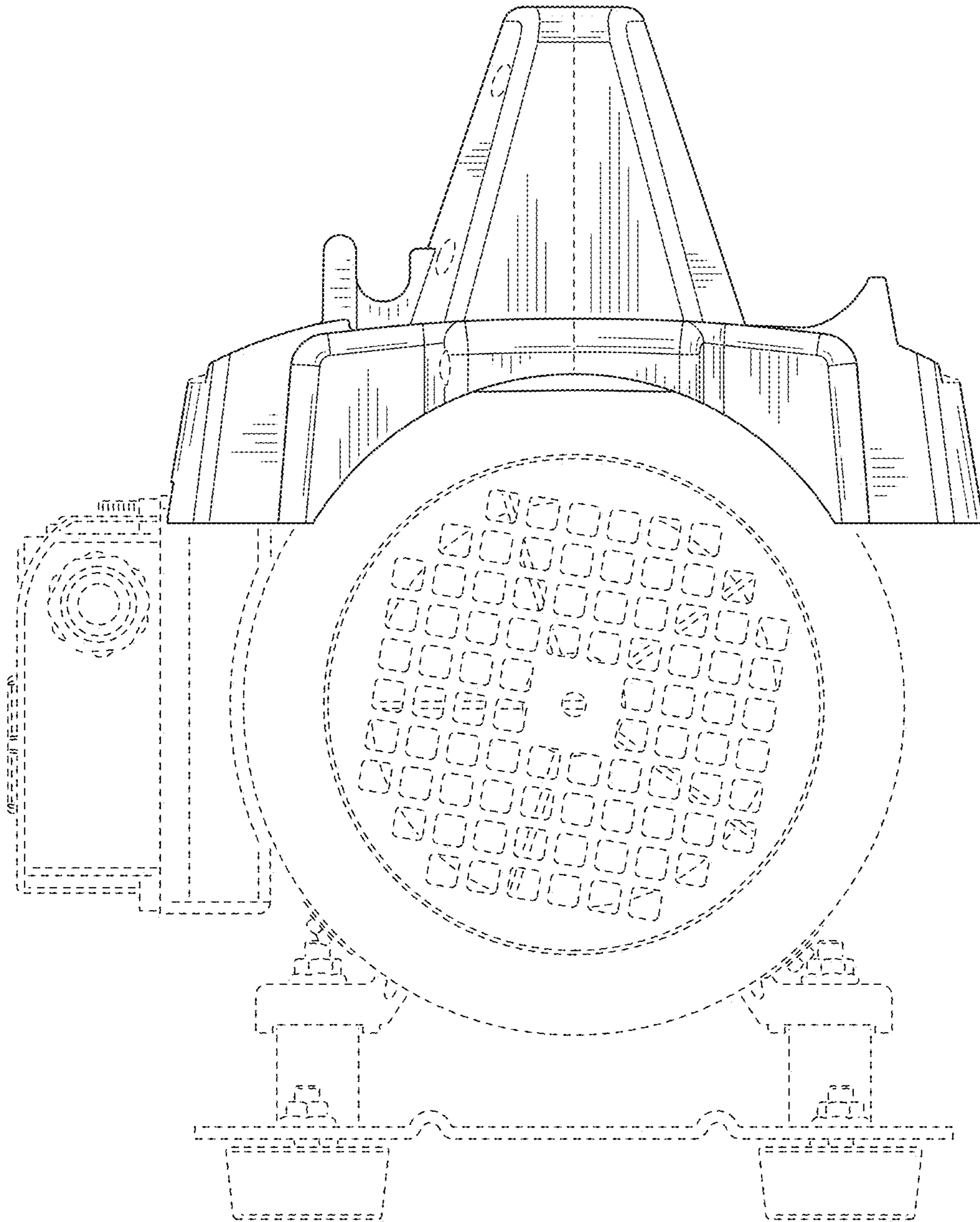


FIG. 5

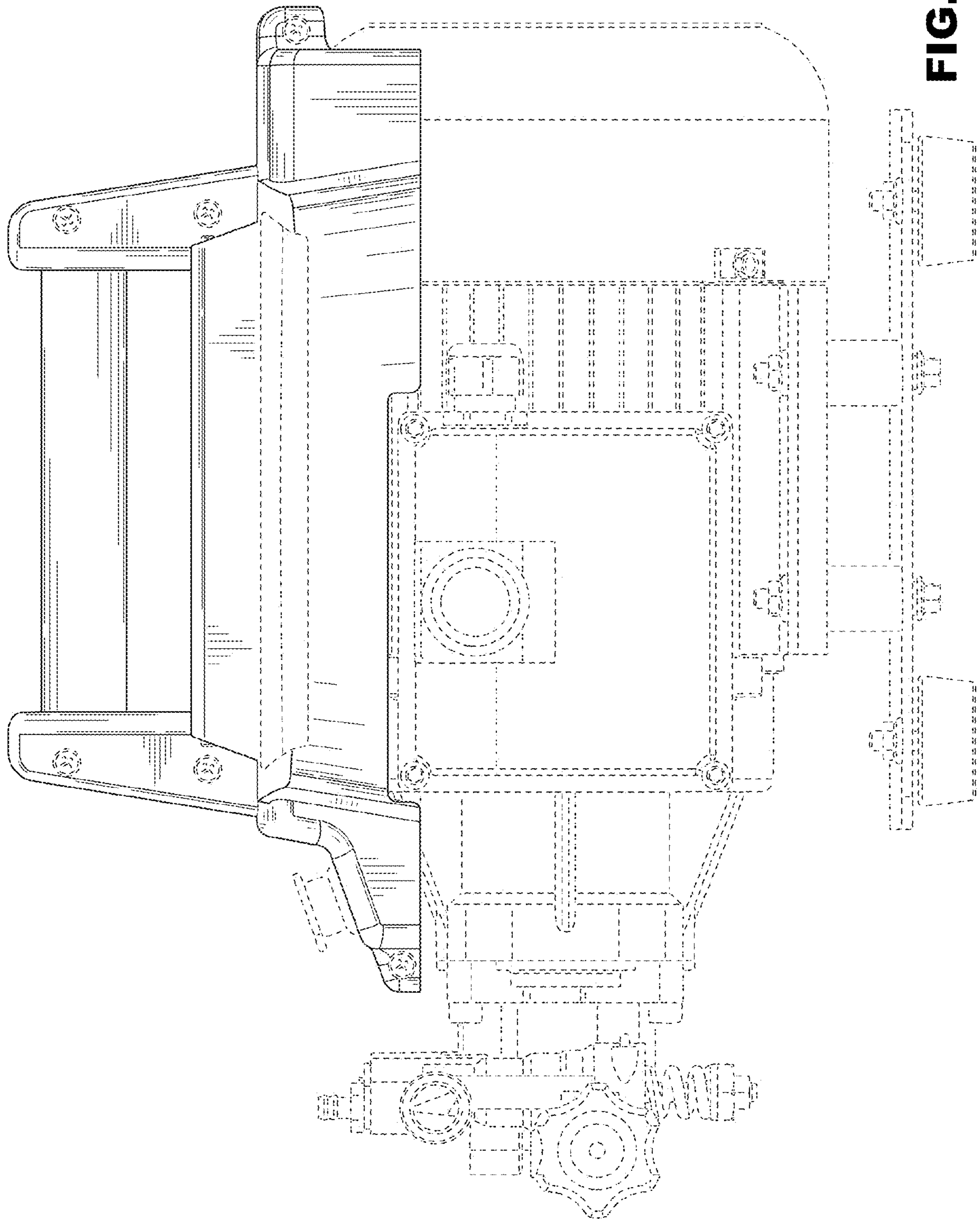


FIG. 6

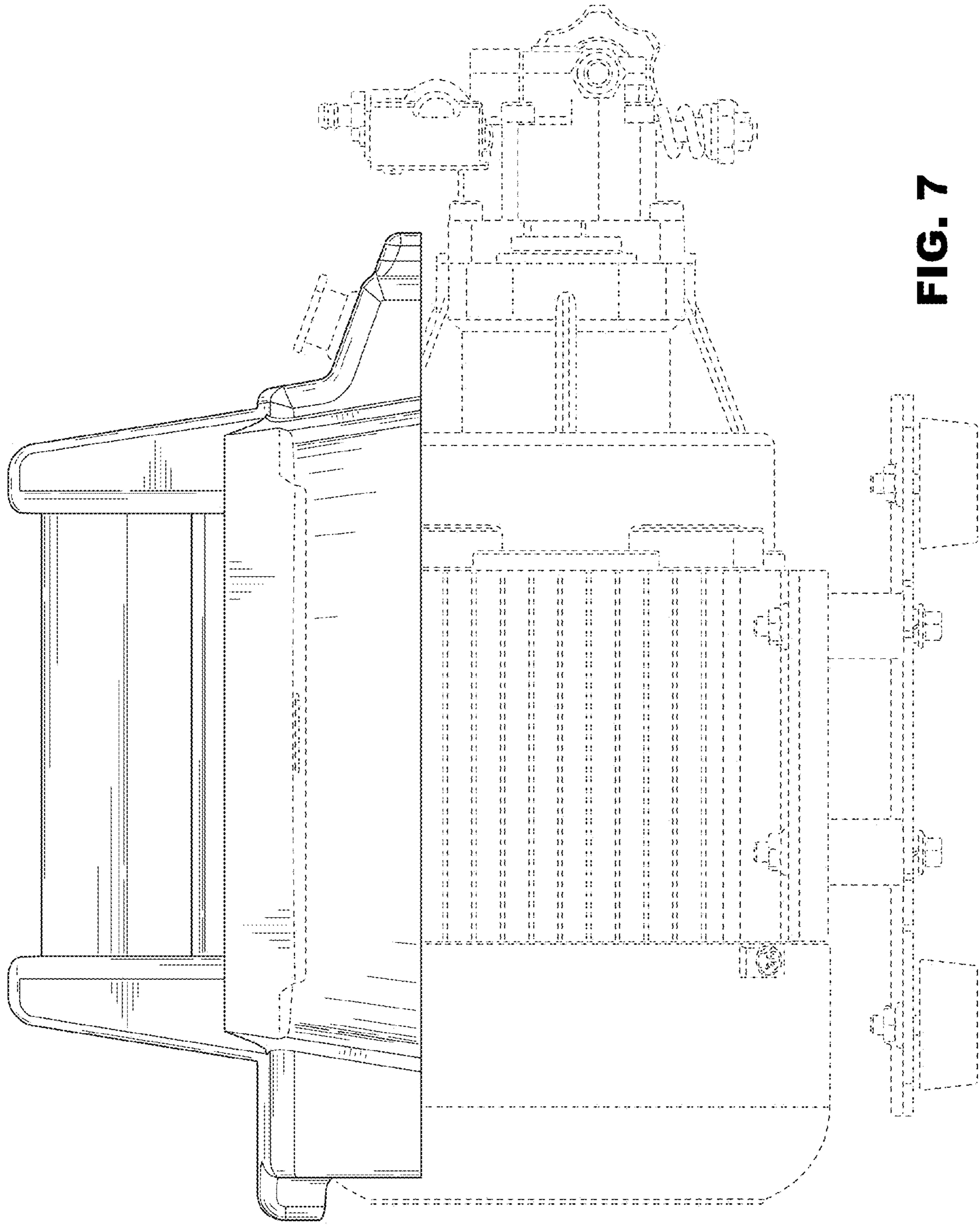


FIG. 7

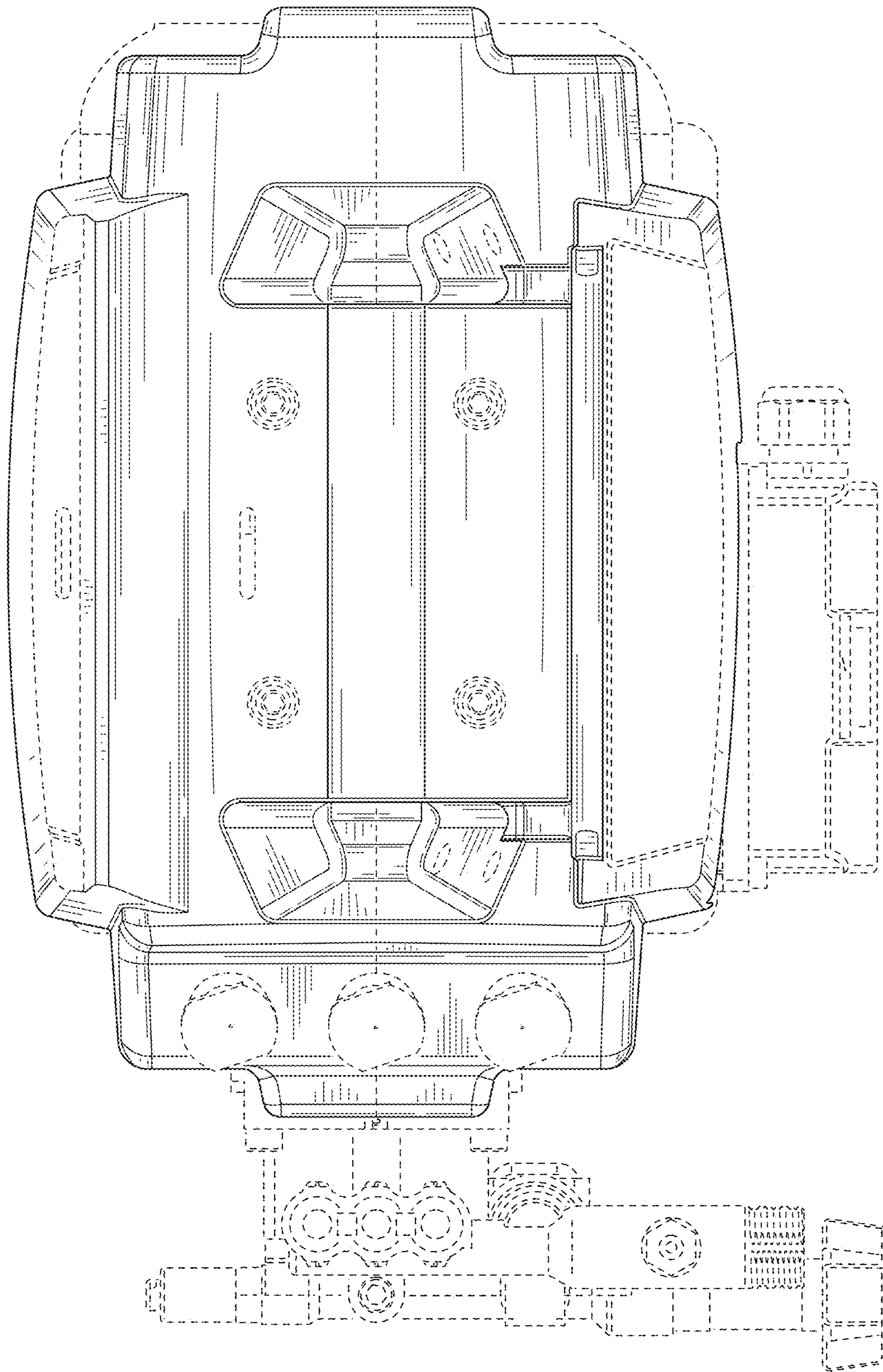


FIG. 8