



US00D927801S

(12) **United States Design Patent**
Wu

(10) **Patent No.:** **US D927,801 S**
(45) **Date of Patent:** **** Aug. 10, 2021**

(54) **CONDUIT DREDGE**
(71) Applicant: **Kuei-Kun Wu**, Kaohsiung (TW)
(72) Inventor: **Kuei-Kun Wu**, Kaohsiung (TW)
(**) Term: **15 Years**
(21) Appl. No.: **29/706,996**
(22) Filed: **Sep. 25, 2019**
(51) **LOC (13) Cl.** **15-05**
(52) **U.S. Cl.**
USPC **D32/14**
(58) **Field of Classification Search**
USPC D8/14, 71; D10/46.2; D19/184;
D22/140; D23/213; D32/14, 35
CPC E03C 1/304; E03C 1/308; A47K 11/10;
E03D 9/00; B05B 9/0838; B05B 9/0822;
B08B 9/021; A47L 25/00; A47L 7/00;
A47L 9/02; F16N 33/00; H01T 21/04;
B25B 23/0035; F02B 77/04; F04B 33/00
See application file for complete search history.

(56) **References Cited**
U.S. PATENT DOCUMENTS
905,567 A * 12/1908 Noppel E03C 1/308
4/255.02
1,304,196 A * 5/1919 Noppel E03C 1/308
4/255.02
1,438,165 A * 12/1922 Ayotte B25B 23/0035
81/473
1,684,880 A * 9/1928 Norton E03C 1/308
4/255.02
2,056,018 A * 9/1936 Popp F04B 33/00
15/406
2,300,319 A * 10/1942 Smith E03C 1/308
4/255.01
D141,835 S * 7/1945 Muhlbach D8/71
2,593,799 A * 4/1952 Russell F16N 33/00
15/236.06

2,737,675 A * 3/1956 Harrison H01T 21/04
15/104.011
2,748,410 A * 6/1956 Chapman F16N 33/00
15/105
3,862,468 A * 1/1975 Fortune A47L 7/00
15/341
3,934,280 A * 1/1976 Tancredi E03C 1/308
4/255.02
4,186,451 A * 2/1980 Ruo E03C 1/308
4/255.02
5,109,564 A * 5/1992 Horvath A47L 25/00
15/104.011

(Continued)

OTHER PUBLICATIONS

Toilet plunger blast <https://www.zipy.co.il/p/%D7%90%D7%9C%D7%99%D7%90%D7%A7%D7%A1%D7%A4%D7%A8%D7%A1/toilet-plungers-blaster-gun-air-power-drain-high-pressure-pump-cleane-powerful/33013999880/?fs=> (Year: 2021).*

(Continued)

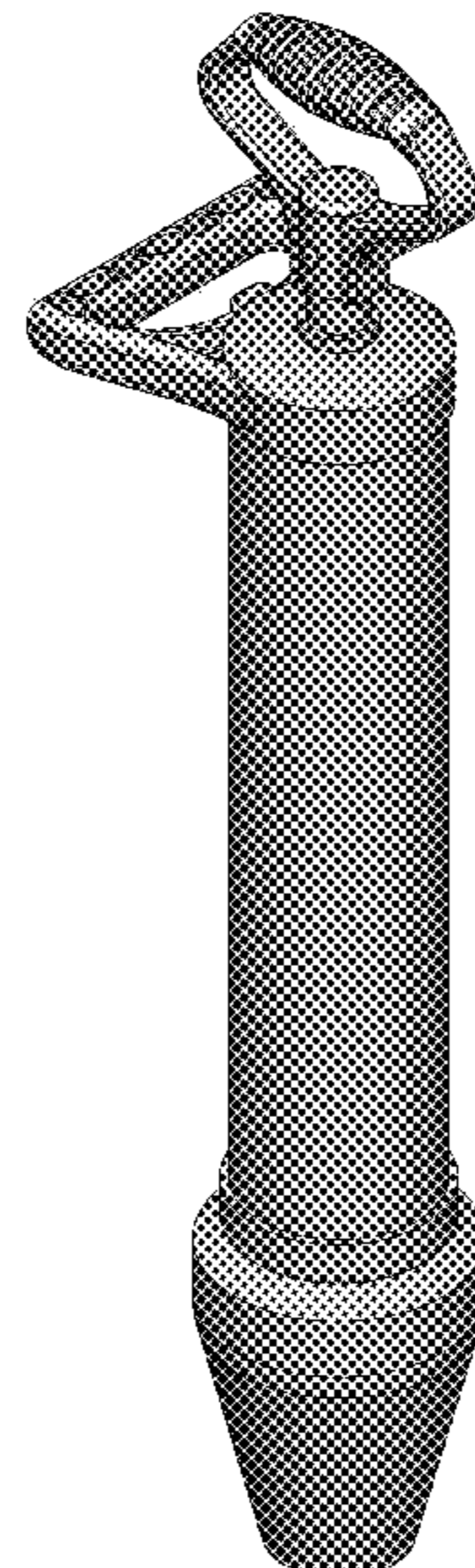
Primary Examiner — Michelle E. Wilson
Assistant Examiner — Richard E Yenchesky
(74) *Attorney, Agent, or Firm* — Browdy and Neimark, PLLC

(57) **CLAIM**
The ornamental design for a conduit dredge, as shown.

DESCRIPTION

FIG. 1 is a perspective view of a conduit dredge, showing my new design;
FIG. 2 is an another perspective view thereof;
FIG. 3 is a front elevation view thereof;
FIG. 4 is a rear elevation view thereof;
FIG. 5 is a left side elevation view thereof;
FIG. 6 is a right side elevation view thereof;
FIG. 7 is a top plan view thereof; and,
FIG. 8 is a bottom plan view thereof.

1 Claim, 8 Drawing Sheets



(56)

References Cited

U.S. PATENT DOCUMENTS

5,199,114 A * 4/1993 Christopher E03C 1/308
 4/255.01
 D370,126 S * 5/1996 Pfanstiehl D19/184
 5,522,094 A * 6/1996 Balazs E03C 1/308
 4/255.02
 D371,944 S * 7/1996 Spirer D8/14
 5,530,988 A * 7/1996 McQuillan F02B 77/04
 15/406
 D404,178 S * 1/1999 Wetzler D32/35
 6,263,534 B1 * 7/2001 McCann B05B 9/0838
 118/408
 6,286,171 B1 * 9/2001 Sztymelski B08B 9/021
 15/104.001
 D459,434 S * 6/2002 Fauquet D23/213
 D491,702 S * 6/2004 Tash D32/14
 D497,698 S * 10/2004 Vinci D32/35
 D505,234 S * 5/2005 Tash D32/14
 D509,333 S * 9/2005 Tash D32/35
 7,000,284 B1 * 2/2006 Sowden A47L 9/02
 15/304
 D549,536 S * 8/2007 Schoolcraft D32/35
 D558,070 S * 12/2007 Bober D10/46.2
 D618,407 S * 6/2010 Wu D32/14

8,104,647 B2 * 1/2012 Bober B05B 9/0822
 222/401
 D692,195 S * 10/2013 Paulsen D32/14
 9,631,349 B2 * 4/2017 Petner E03C 1/308
 D792,756 S * 7/2017 Vanttila D8/356
 D815,244 S * 4/2018 Humphreys, Jr. D22/140
 D836,869 S * 12/2018 Wu D32/35
 D861,262 S * 9/2019 Scheuerman D32/14
 2005/0172385 A1 * 8/2005 Jiang E03C 1/308
 4/255.05
 2013/0036542 A1 * 2/2013 Loughman E03D 9/00
 4/255.11
 2013/0125298 A1 * 5/2013 Guthrie E03C 1/308
 4/255.11
 2015/0240466 A1 * 8/2015 Schultz A47K 11/10
 4/255.11
 2019/0329302 A1 * 10/2019 Wu E03C 1/304

OTHER PUBLICATIONS

Pipe Dredge <https://www.qoo10.sg/item/4-SECONDS-FAST-PASS-THROUGH-THE-AIR-PIPE-PLUG-TO-CLEAR-THE-ARTIFACT/552087045> (Year: 2021).*

* cited by examiner

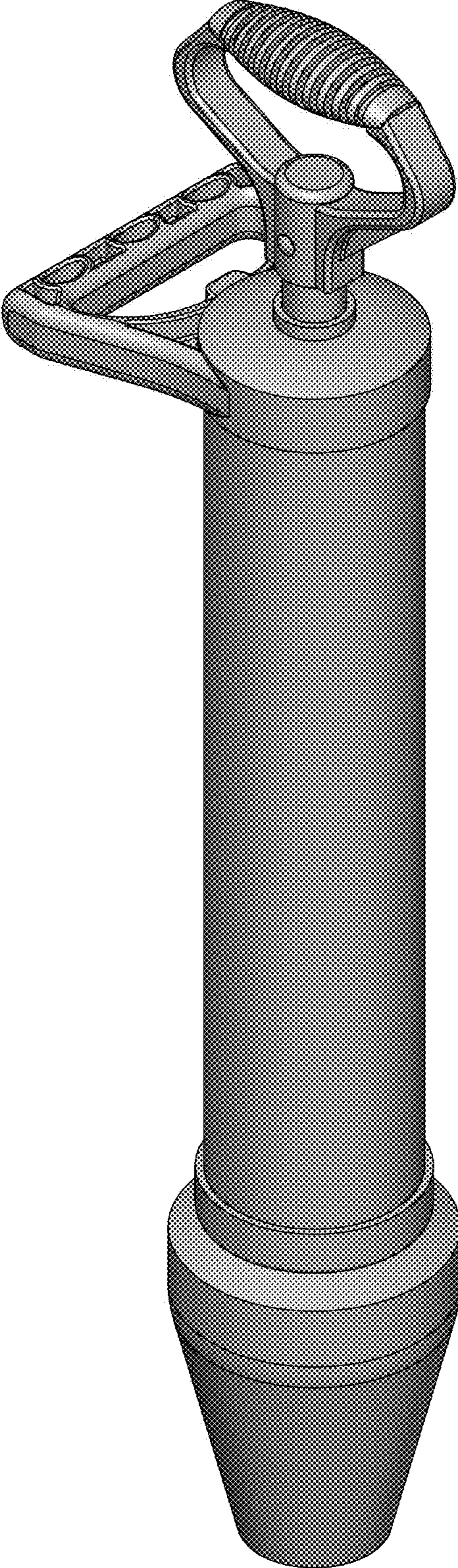


FIG.1

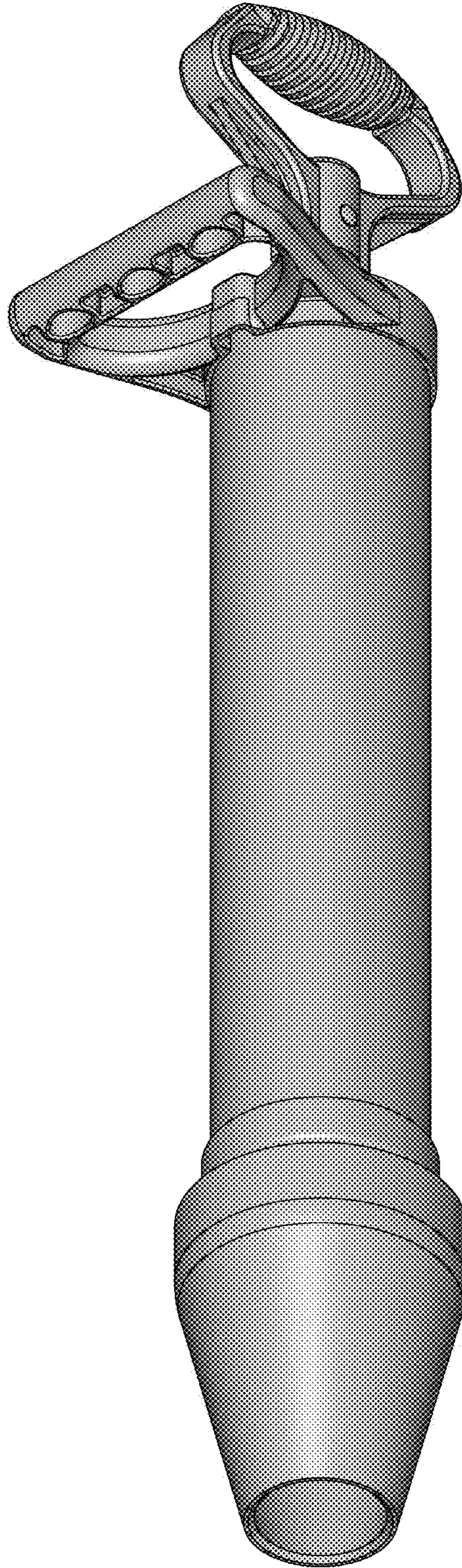


FIG. 2

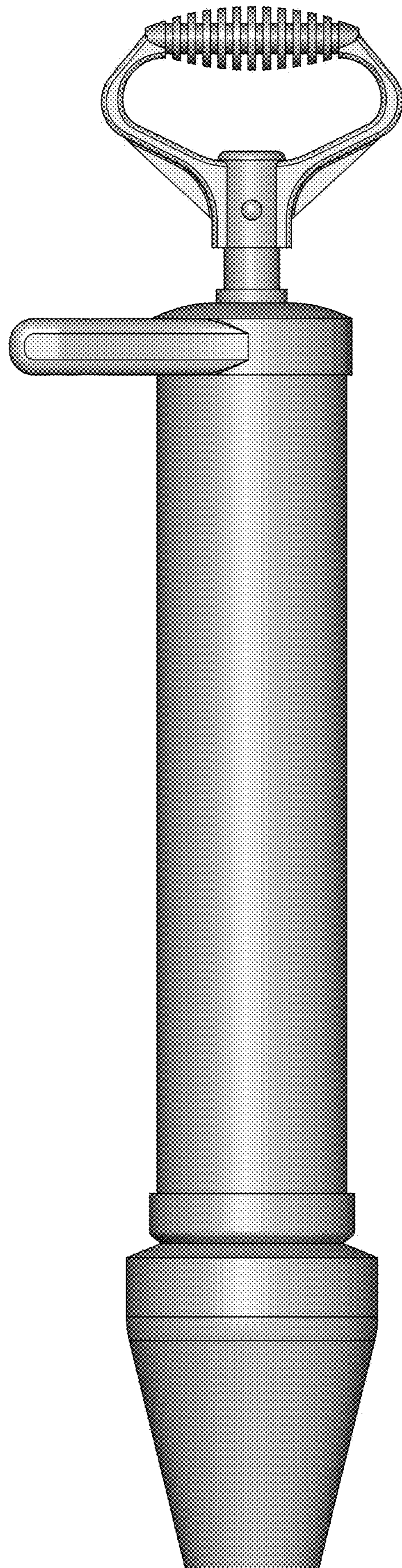


FIG.3

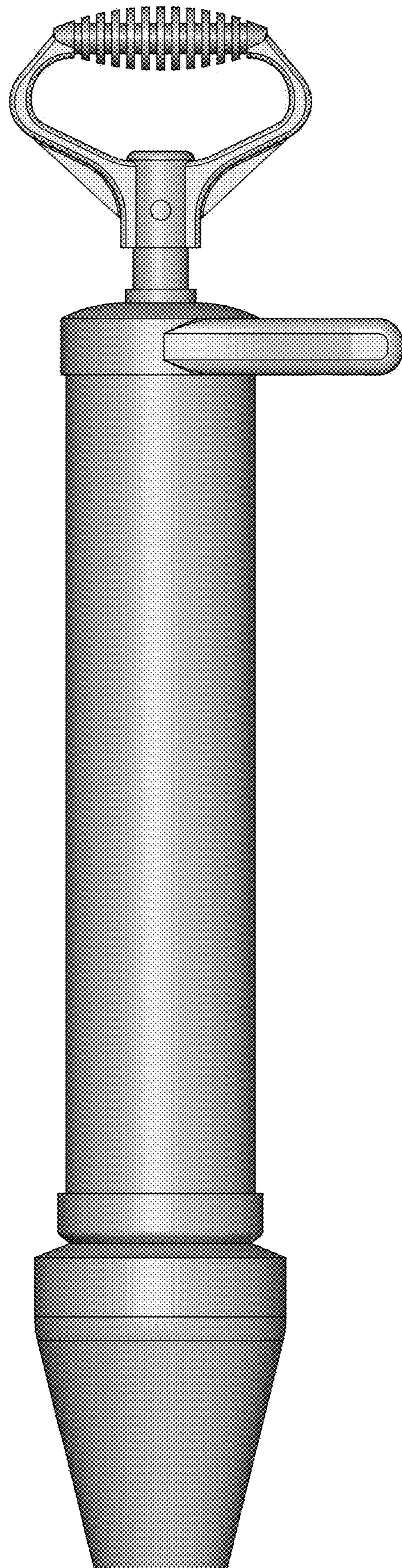


FIG.4

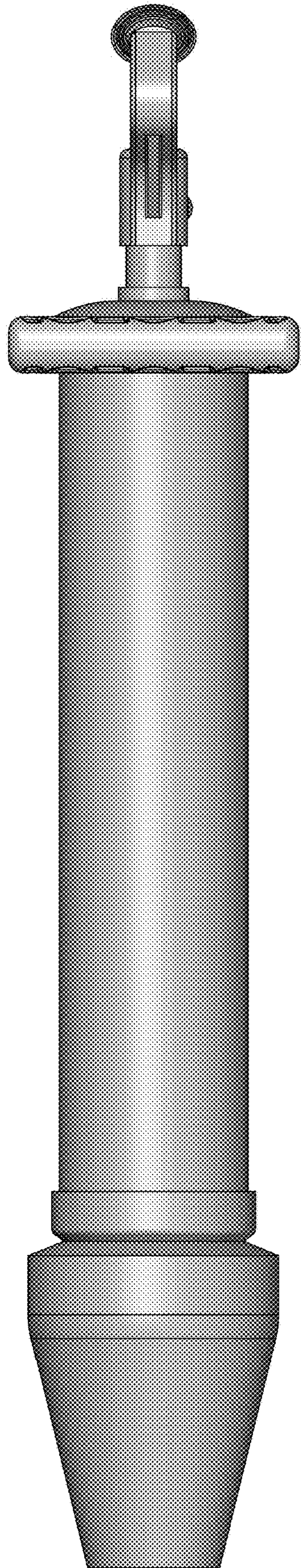


FIG.5

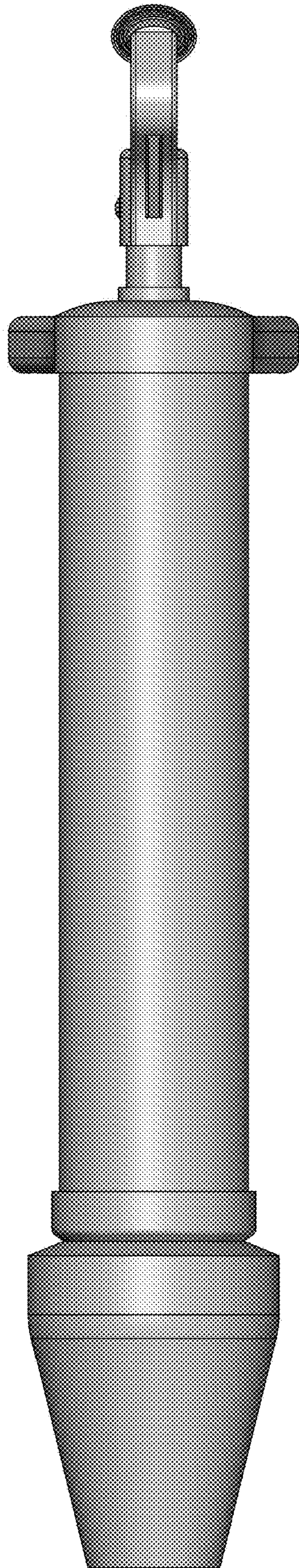


FIG.6

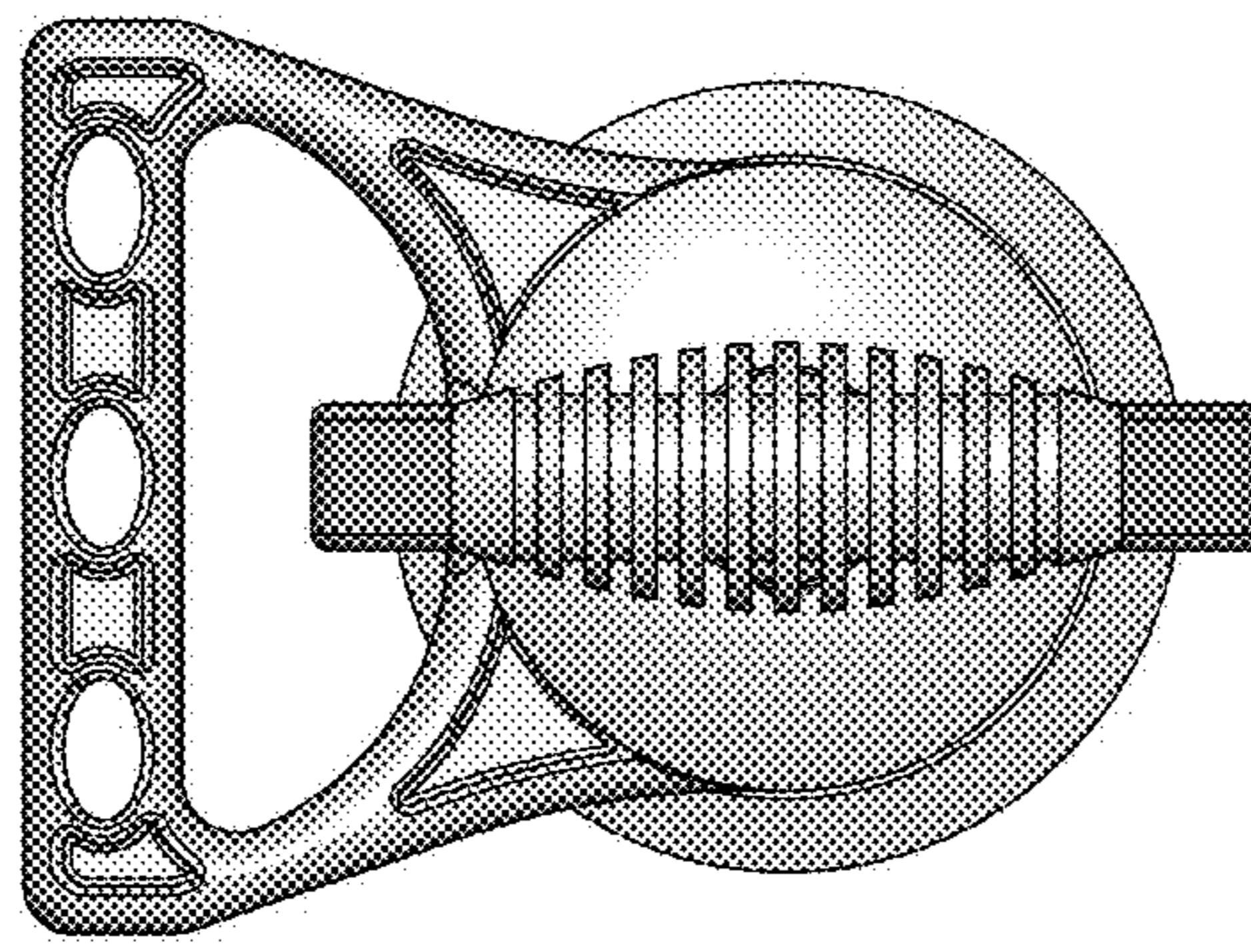


FIG.7

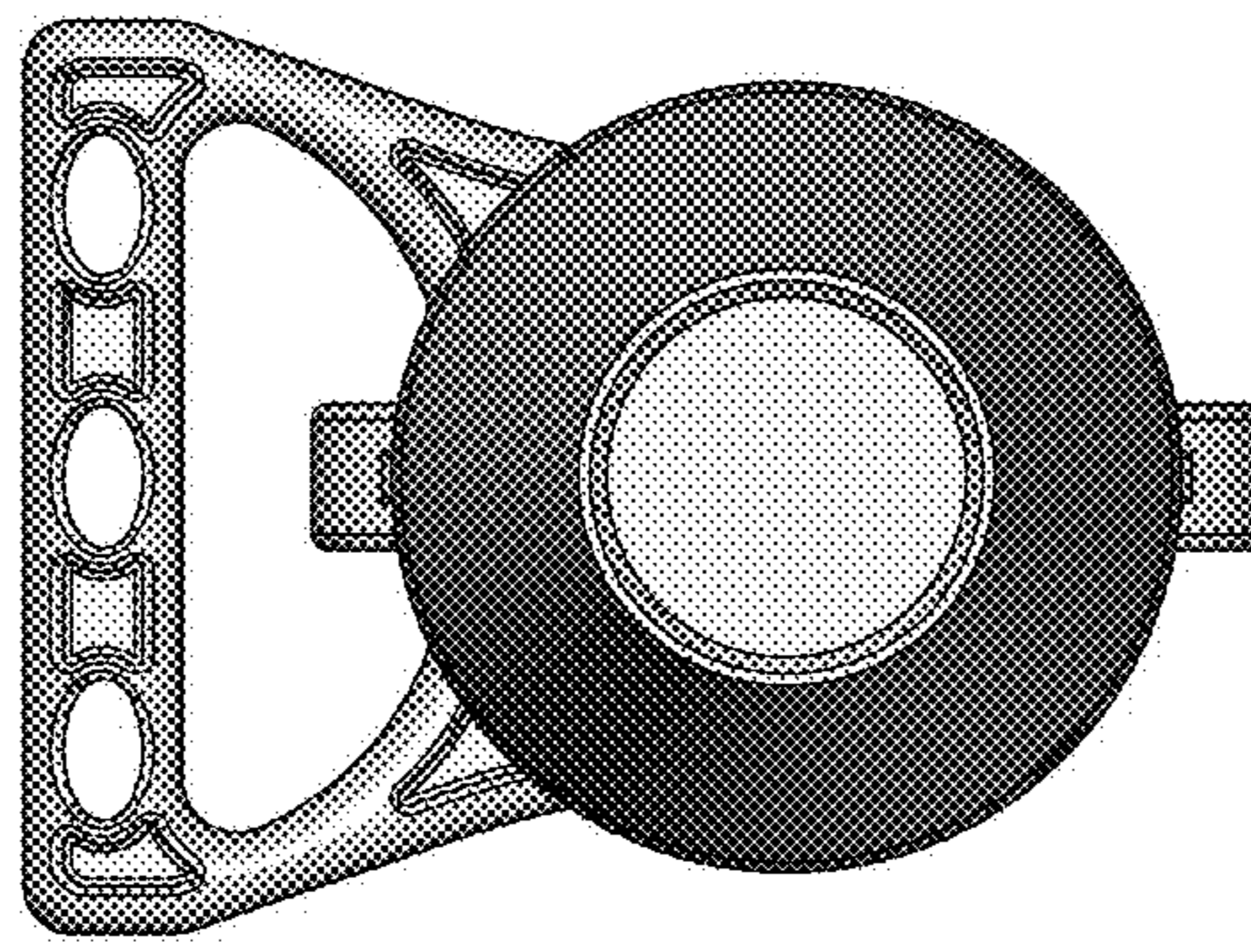


FIG.8