



US00D927800S

(12) **United States Design Patent**
Bin et al.

(10) **Patent No.:** **US D927,800 S**
(45) **Date of Patent:** **** Aug. 10, 2021**

- (54) **SCAT SHOCK MAT FOR PETS**
- (71) Applicant: **Guangdong XIAOSHU DIAN Technology Co., Ltd, Foshan (CN)**
- (72) Inventors: **Miao Bin, Guangzhou (CN); Su Kaizan, Guangzhou (CN)**
- (**) Term: **15 Years**
- (21) Appl. No.: **29/753,171**
- (22) Filed: **Sep. 30, 2020**
- (51) **LOC (13) Cl.** **30-99**
- (52) **U.S. Cl.**
USPC **D30/199; D30/119**
- (58) **Field of Classification Search**
USPC D30/118-120, 199, 161, 129, 128, 160, D30/133; 119/712, 908, 329, 335, 341, 119/342, 347, 28.5, 525-530, 61.54, 51.5, 119/61.5, 61.1, 171, 169, 471; 15/215, 15/238; 156/72, 148; 472/90; 404/35; 428/15, 74-89, 92, 95-97, 156; 473/278; 264/227, 243; D12/203; 601/28; 5/944; 606/204; 446/120, 124, 487, 118, 108, 446/96; D7/702, 505, 548, 549, 550.1, D7/554.3, 555; 220/571, 630, 632, 23.8, 220/DIG. 21; 108/25; 340/573.3, 541
CPC A01K 15/021; A01K 15/029; A01K 1/035; A01K 1/0353; A01K 1/0152-0157; A01K 1/01; A01K 1/0103; A01K 1/0107; A01K 1/015; A01K 5/0114; A01K 5/0135; A47L 23/266; A47L 23/26; A47C 31/11; A47C 31/113; A47C 31/116; A01M 31/002; A01M 29/22; A01M 29/24; A01M 29/00; Y10S 119/908; H05C 1/00; H05C 1/04; H05C 1/06
See application file for complete search history.

- 4,274,123 A * 6/1981 Rogers, Jr. A01K 15/02 361/232
- 4,949,216 A * 8/1990 Djukastein H05C 1/04 361/232
- 4,969,418 A * 11/1990 Jones A01K 15/023 119/712
- 5,107,620 A * 4/1992 Mahan A01M 1/223 43/112
- 6,158,392 A * 12/2000 Andre A01K 15/023 119/721
- 6,519,131 B1 * 2/2003 Beck A01K 15/04 361/232
- 6,609,330 B1 * 8/2003 Heitman A01M 1/023 43/112
- D483,596 S 12/2003 Wildstein et al.
- 6,817,138 B1 * 11/2004 McGill A01M 29/26 114/361

(Continued)

Primary Examiner — Susan Moon Lee

(74) *Attorney, Agent, or Firm* — Runit Ranjit Kanakia

(57) **CLAIM**

We claim the ornamental design for a scat shock mat for pets, as shown and described.

DESCRIPTION

FIG. 1 is a perspective view of a scat shock mat for pets showing my new design;
 FIG. 2 is a Front view thereof;
 FIG. 3 is a Back view thereof;
 FIG. 4 is a Right-side view thereof;
 FIG. 5 is a Left-side view thereof;
 FIG. 6 is a Top view thereof; and,
 FIG. 7 is a Bottom view thereof.

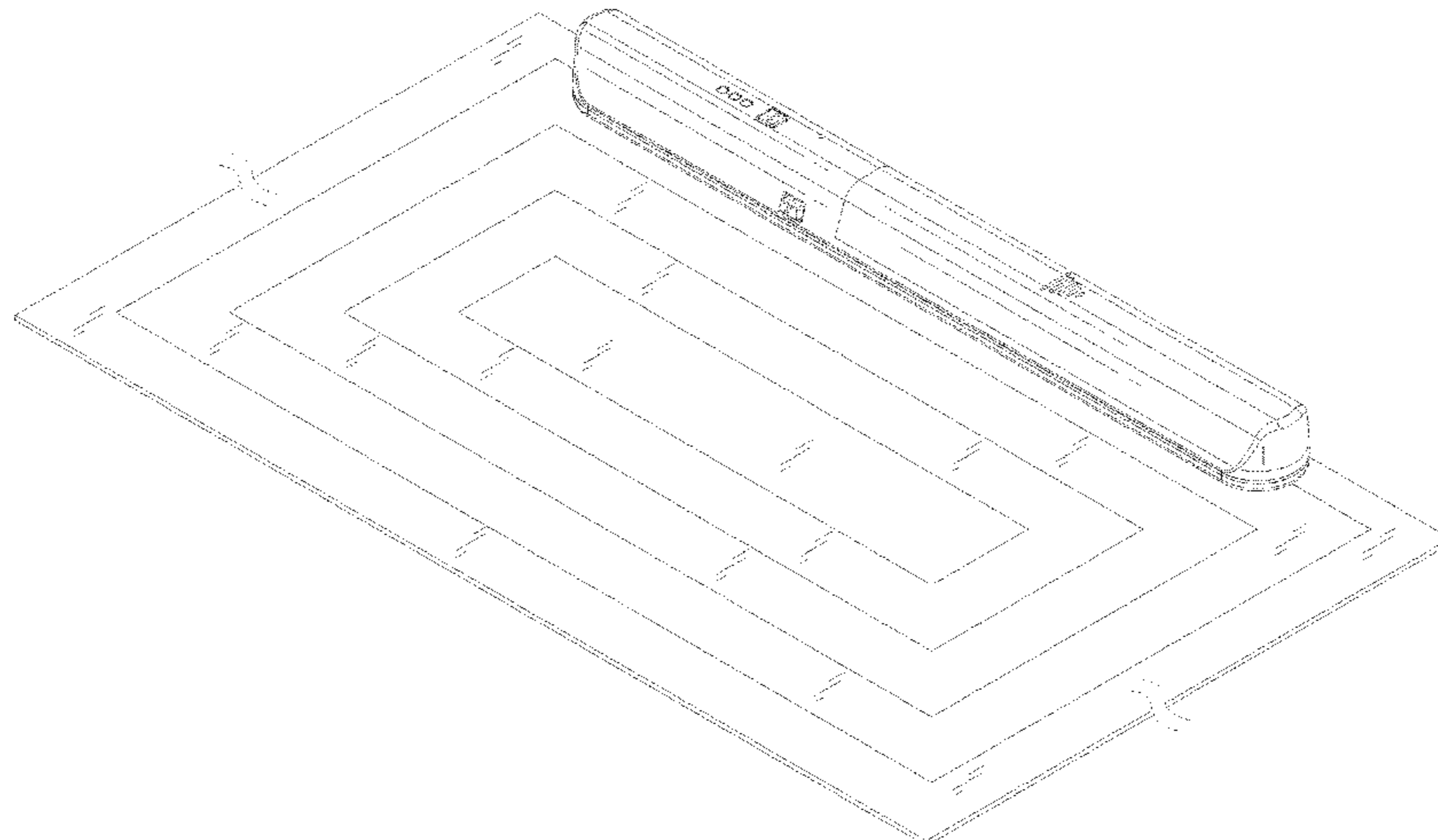
The broken lines are for the purpose of illustrating portions of the article that form no part of the claim.

1 Claim, 5 Drawing Sheets

(56) **References Cited**

U.S. PATENT DOCUMENTS

- 2,555,180 A * 5/1951 Adkins A01K 3/005 256/10
- 3,197,916 A * 8/1965 Cole, Jr. A01M 23/38 43/66



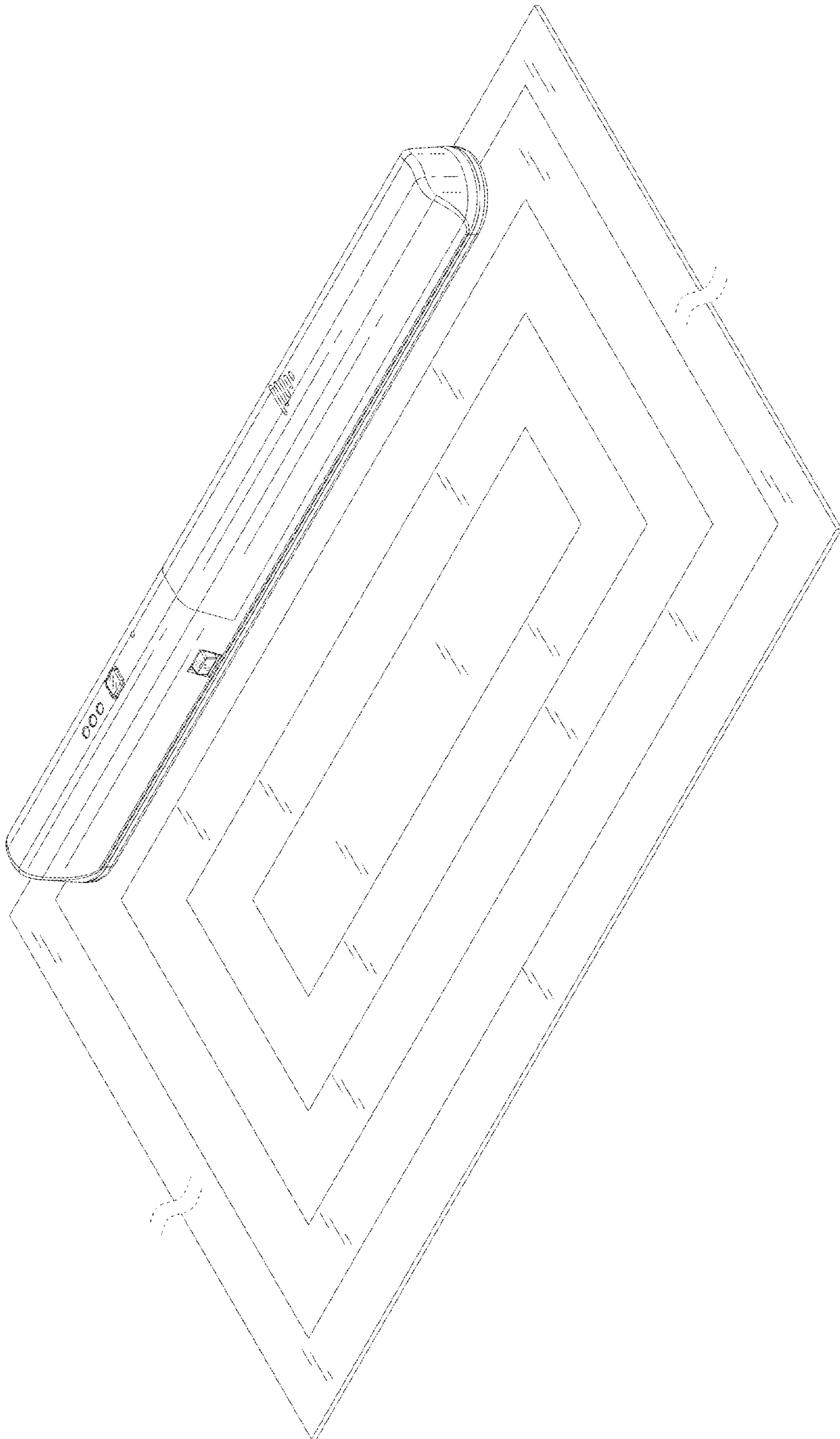


FIG. 1

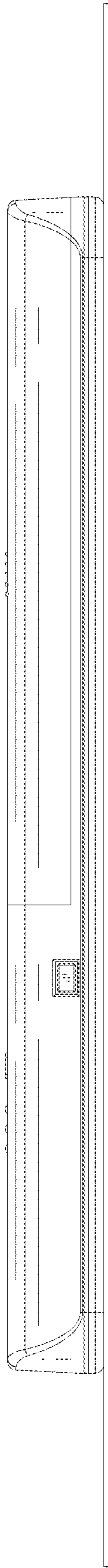


FIG. 2

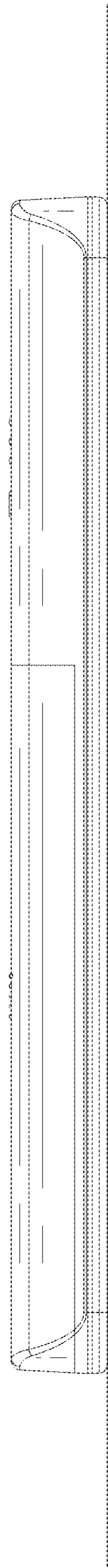


FIG. 3

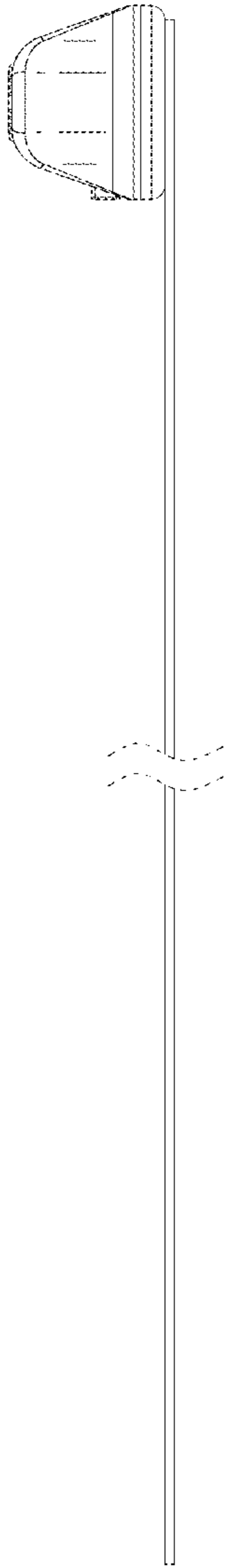


FIG. 4

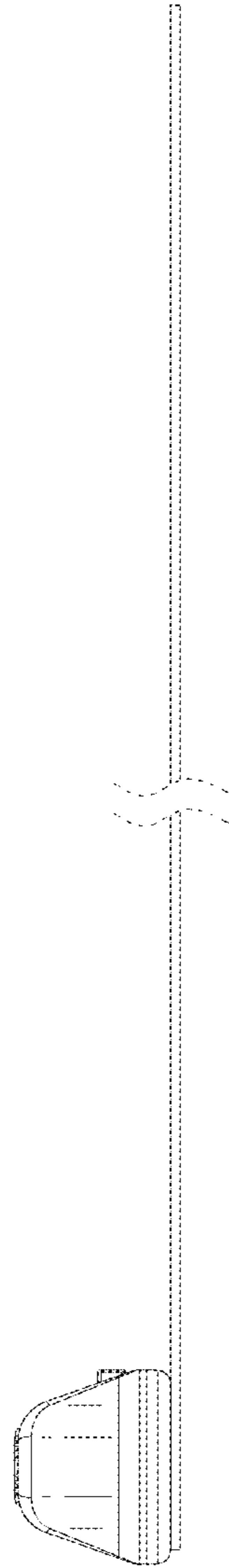


FIG. 5

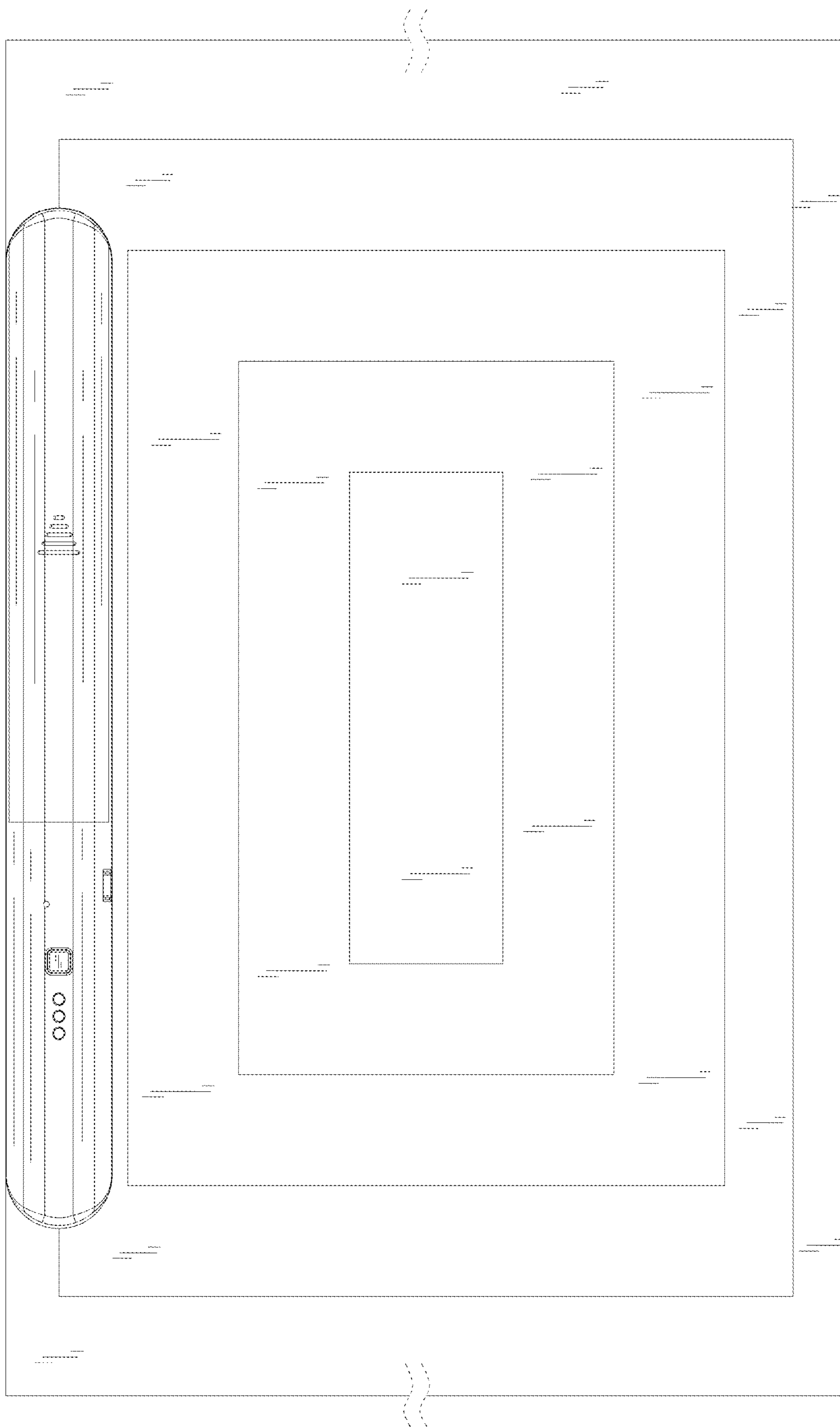


FIG. 6

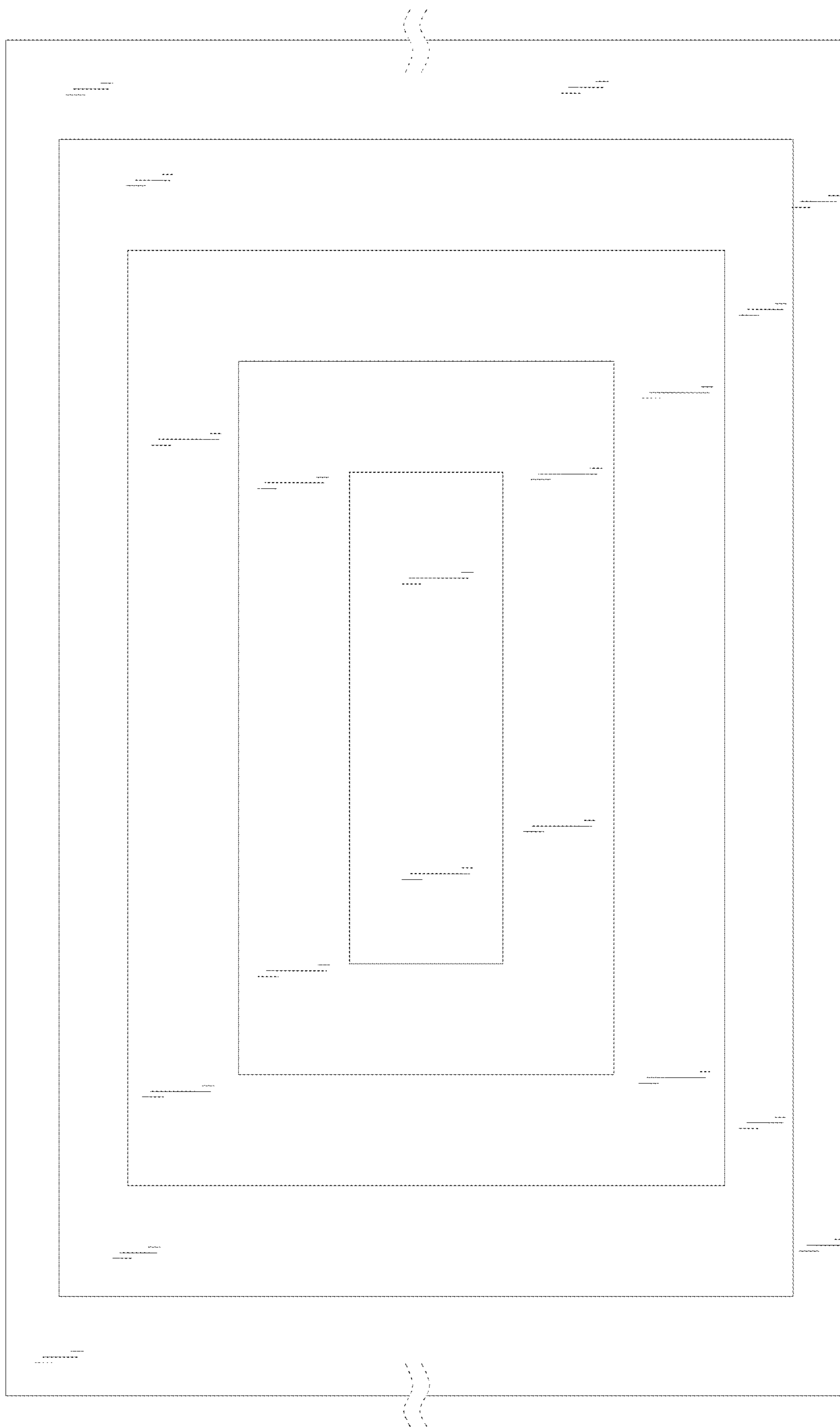


FIG. 7