



US00D927797S

(12) **United States Design Patent** (10) **Patent No.:** **US D927,797 S**
Sharer et al. (45) **Date of Patent:** **** Aug. 10, 2021**

(54) **PET FEEDING BOWL**

(71) Applicant: **Practical Design Solutions LLC**, Ann Arbor, MI (US)

(72) Inventors: **Paul Sharer**, Ann Arbor, MI (US); **Rita Dombroski**, Saline, MI (US)

(73) Assignee: **PRACTICAL DESIGN SOLUTIONS LLC**, Ann Arbor, MI (US)

(**) Term: **15 Years**

(21) Appl. No.: **29/732,690**

(22) Filed: **Apr. 27, 2020**

(51) **LOC (13) Cl.** **30-03**

(52) **U.S. Cl.**

USPC **D30/130**

(58) **Field of Classification Search**

USPC D30/121, 129, 130, 131, 132, 133, 199;
119/51.01, 51.02, 51.03, 51.11, 51.12,
119/51.13, 51.5, 57.92, 58, 61.5, 61.52,
119/61.54, 61.55, 61.56, 61.57, 72, 73,
119/74, 75, 78

CPC A01K 5/00; A01K 5/0114; A01K 5/0121;
A01K 5/0135; A01K 7/005; A01K 7/00;
A01K 39/02; A01K 39/04; A01K 39/0213

See application file for complete search history.

(56) **References Cited**

U.S. PATENT DOCUMENTS

D698,095 S *	1/2014	Paculdo	D30/121
D706,493 S *	6/2014	Hansen	D30/121
D903,208 S *	11/2020	Hu	D30/129
D903,951 S *	12/2020	Hu	D30/129
D904,695 S *	12/2020	Becattini, Jr.	D30/129

D910,932 S *	2/2021	Hu	D30/129
2008/0203100 A1 *	8/2008	Young	A01K 5/0114 220/574
2013/0305996 A1 *	11/2013	Lindskov	A01K 5/0114 119/61.1

OTHER PUBLICATIONS

“Flat Face Feeder” available Nov. 12, 20, [online], [site visited Jun. 14, 2021]. Retrieved from Internet, URL:<https://www.leashboss.com/products/flat-face-feeder-slow-feed-bowl-for-short-snout-dogs-cats> (Year: 2020).*

“Leashboss Flat Face Feeder—Amazon” available Aug. 10, 2020, [online], [site visited Jun. 14, 2021]. Retrieved from Internet, URL:<https://www.amazon.com/Leashboss-Feeder-Slanted-Bulldogs-Terriers/dp/B08FKWZGFH> (Year: 2020).*

* cited by examiner

Primary Examiner — W. A. Teddy Falloway

Assistant Examiner — Katrina N Gonzalez

(74) *Attorney, Agent, or Firm* — Mitchell Law PLLC; Matthew W. Mitchell

(57) **CLAIM**

The ornamental design for a pet feeding bowl, as shown and described.

DESCRIPTION

FIG. 1 is a top, front, left isometric view of the pet feeding bowl of the present invention;

FIG. 2 is a top, rear, right isometric view thereof;

FIG. 3 is a top plan view thereof;

FIG. 4 is a right-side view thereof;

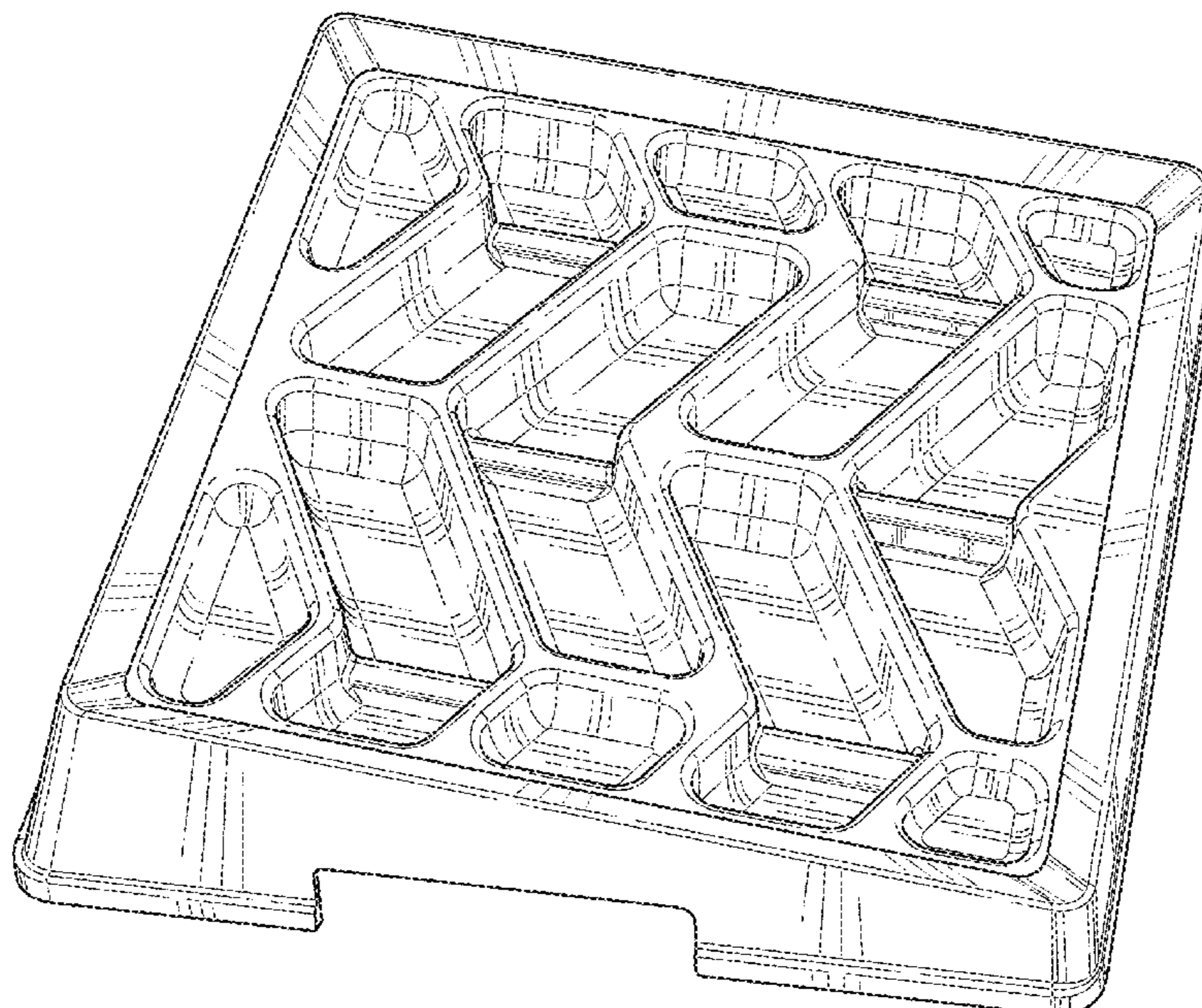
FIG. 5 is a left-side view thereof;

FIG. 6 is a front view thereof; and,

FIG. 7 is a rear view thereof.

The broken lines illustrate portions of the pet feeding bowl that form no part of the claimed design.

1 Claim, 7 Drawing Sheets



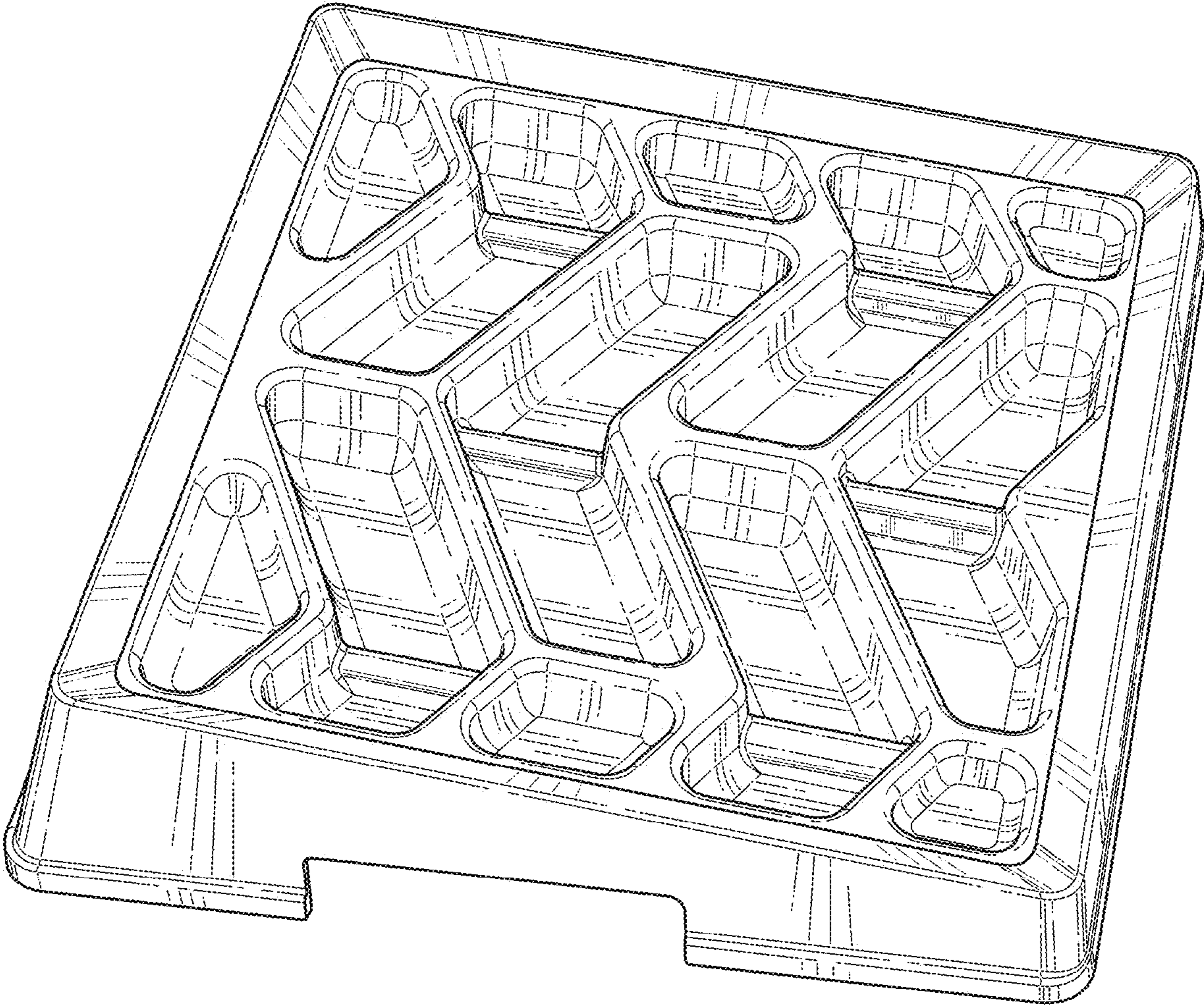


FIG. 1

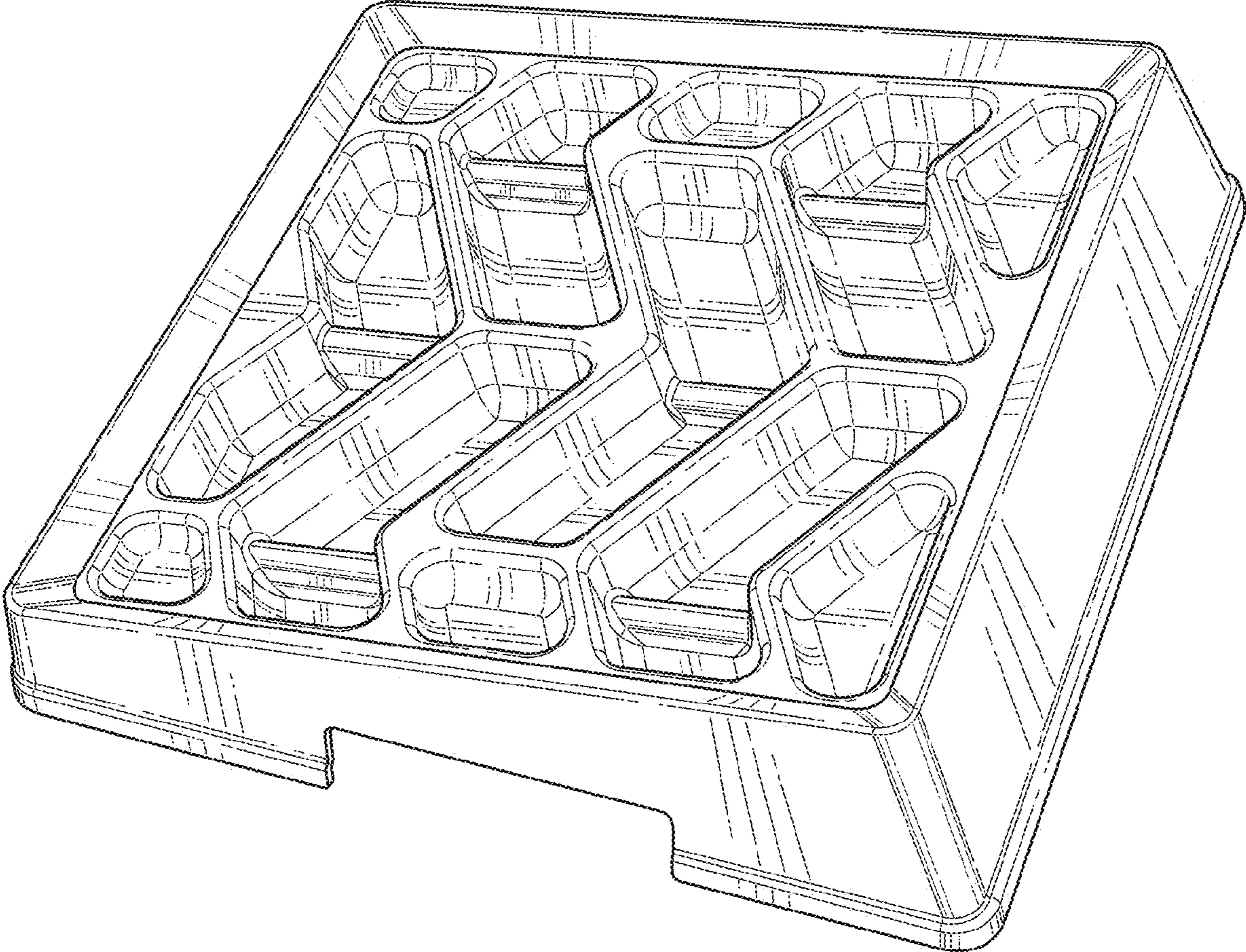


FIG. 2

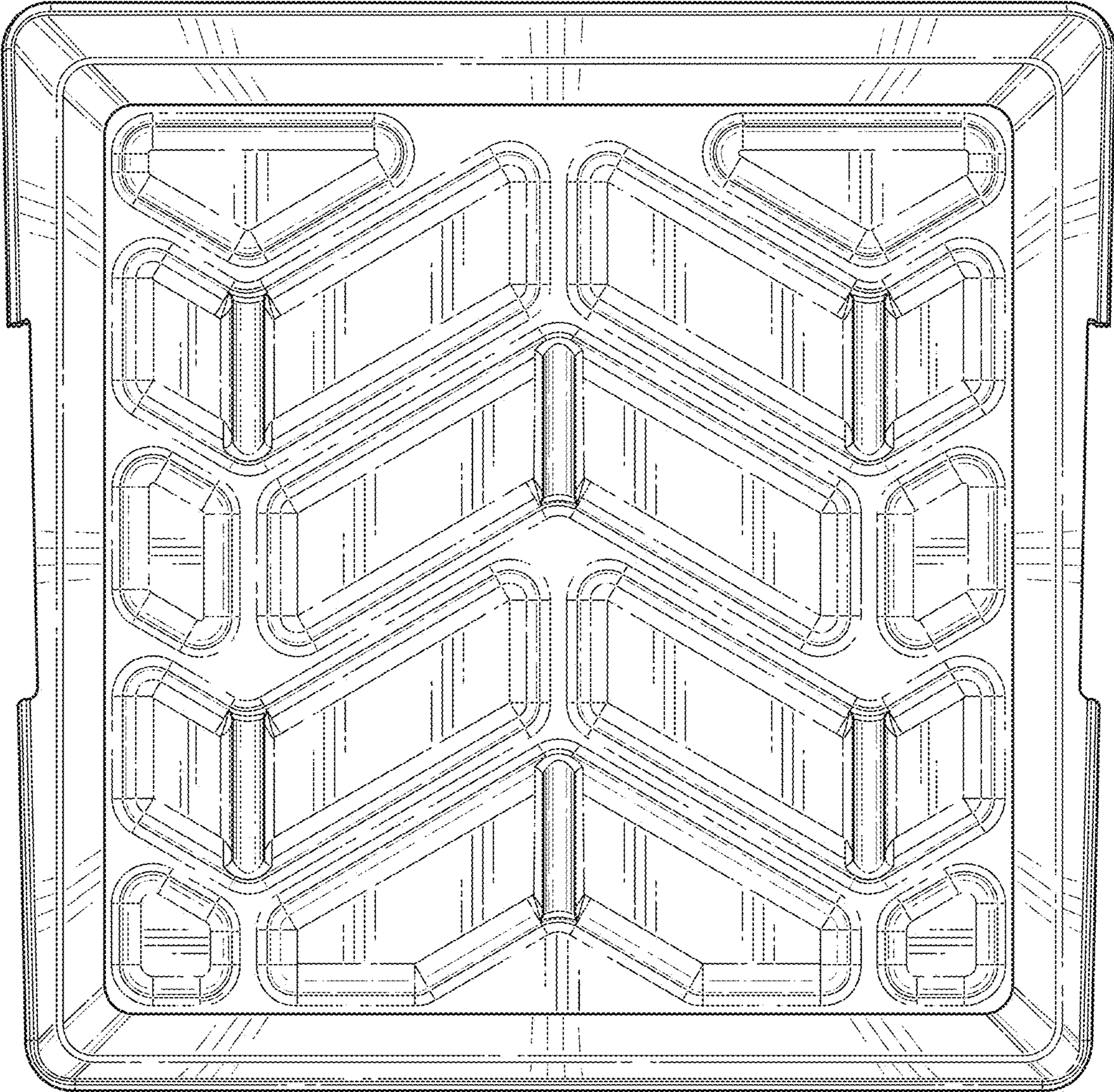


FIG. 3

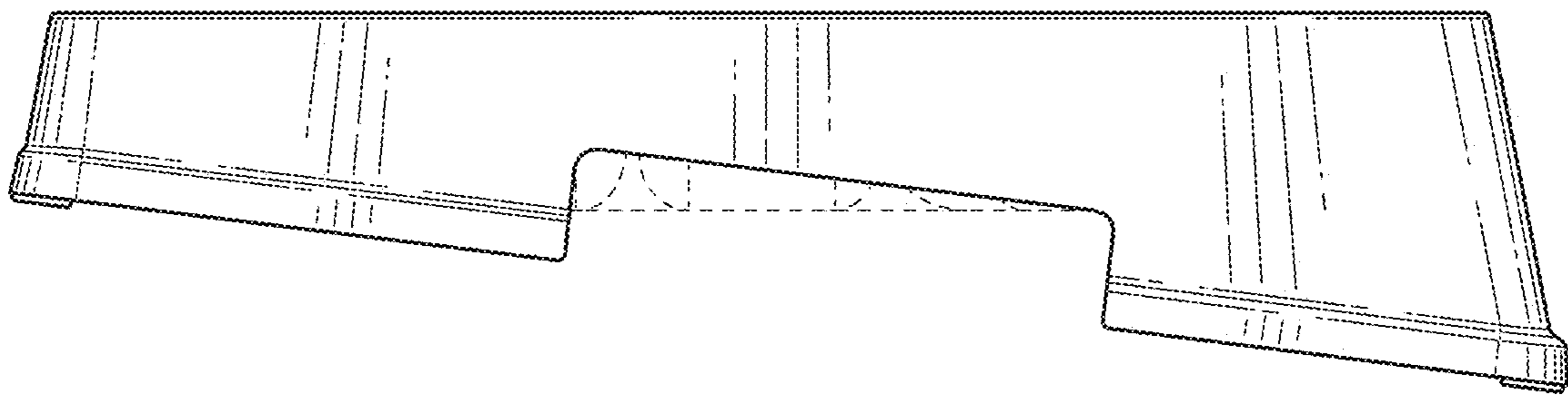


FIG. 4

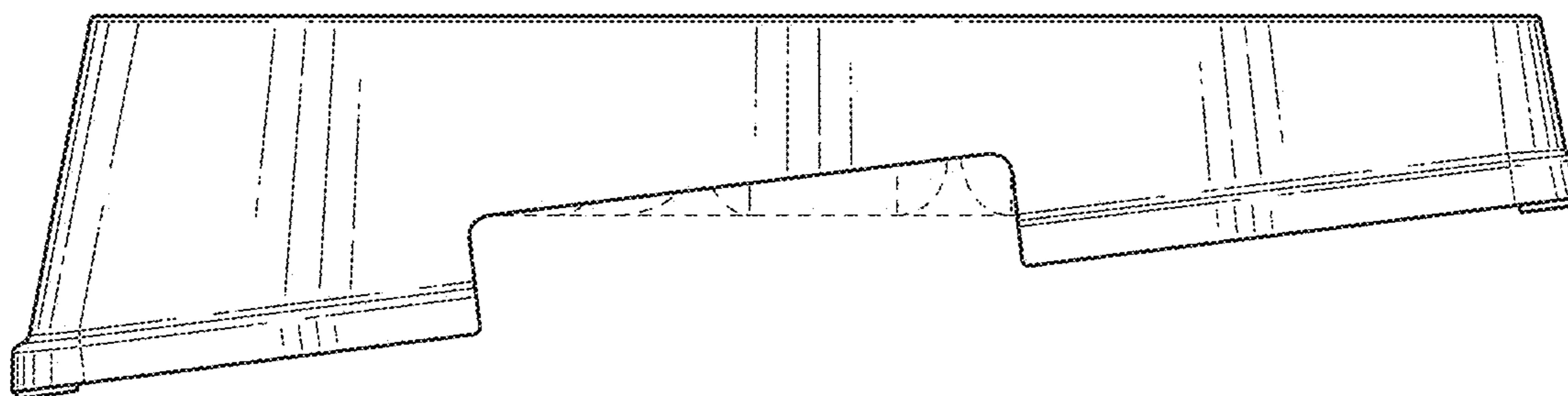


FIG. 5

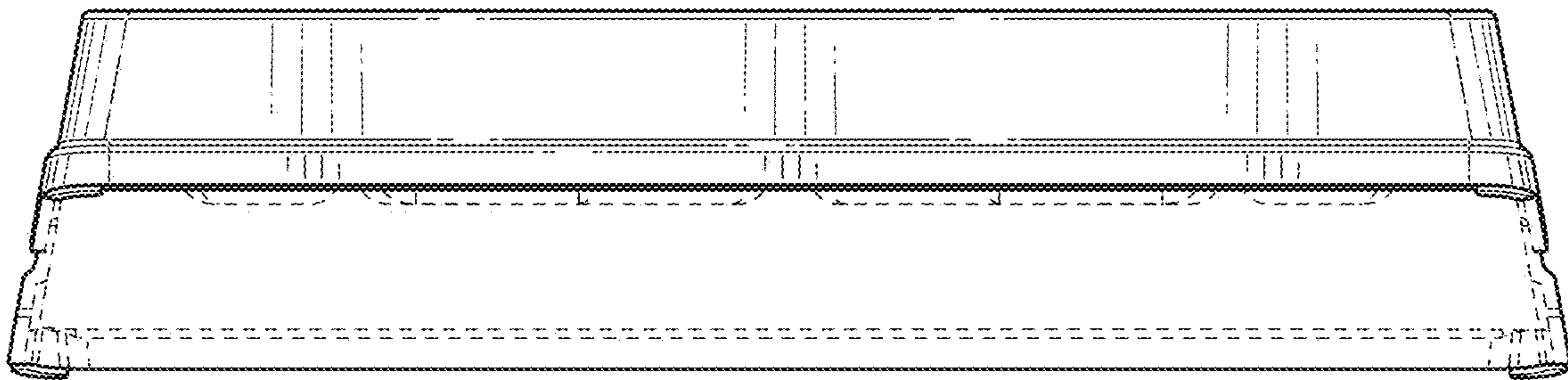


FIG. 6

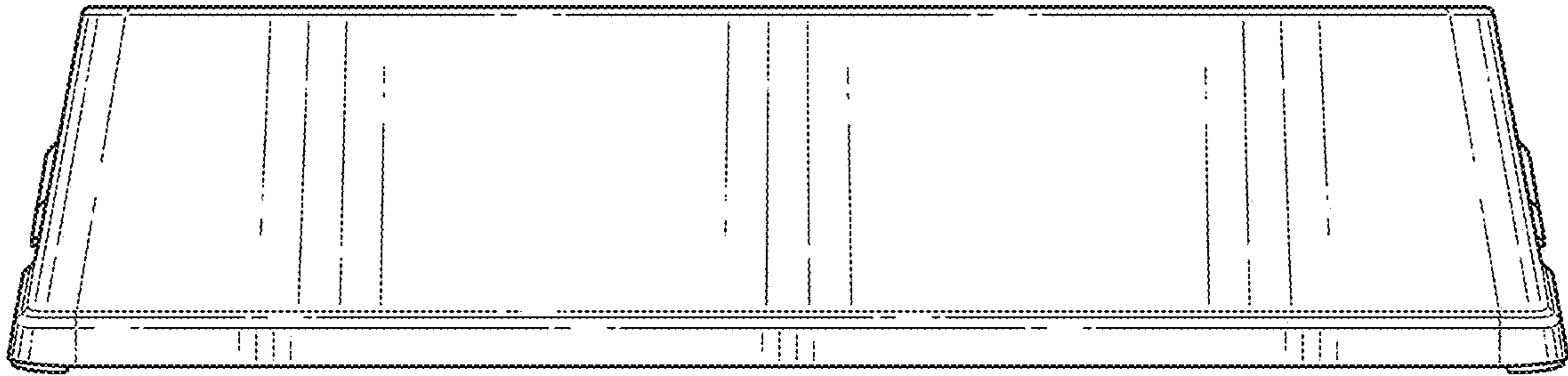


FIG. 7