



US00D927794S

(12) **United States Design Patent**  
**Yun**

(10) **Patent No.:** **US D927,794 S**

(45) **Date of Patent:** **\*\* Aug. 10, 2021**

(54) **PET BED**

(71) Applicant: **CHANGZHOU CANBO TRAVEL PRODUCTS CO., LTD.**, Changzhou (CN)

(72) Inventor: **Huafeng Yun**, Changzhou (CN)

(\*\*) Term: **15 Years**

(21) Appl. No.: **29/758,723**

(22) Filed: **Nov. 18, 2020**

(51) **LOC (13) Cl.** ..... **30-06**

(52) **U.S. Cl.**  
USPC ..... **D30/118**

(58) **Field of Classification Search**  
USPC ..... D30/118-119, 158, 160; D21/520, D21/834-840; D6/349, 382, 595-605, D6/610-611, 331  
CPC ..... A01K 1/00; A01K 1/0272; A01K 1/0353; A01K 1/035  
See application file for complete search history.

(56) **References Cited**

**U.S. PATENT DOCUMENTS**

- D383,625 S \* 9/1997 Dillner ..... D6/331
- 6,895,898 B1 \* 5/2005 Kitch ..... A01K 1/033  
119/416
- D511,027 S \* 10/2005 Mueller ..... D30/108
- D534,321 S \* 12/2006 Simpson ..... D30/161
- D612,546 S \* 3/2010 Zine ..... D30/118
- D629,973 S \* 12/2010 Morton ..... D30/108

- D652,180 S \* 1/2012 Haaf ..... D30/160
- D695,467 S \* 12/2013 Krejci ..... D30/118
- D699,900 S 2/2014 Popkin et al.
- D755,445 S 5/2016 Iiams
- D792,031 S \* 7/2017 Geldermann ..... D30/118
- D836,849 S 12/2018 Romaya
- D842,959 S \* 3/2019 Choi ..... D21/834
- D850,557 S \* 6/2019 Choi ..... D21/834
- D851,193 S \* 6/2019 Choi ..... D21/834

\* cited by examiner

*Primary Examiner* — Sheryl Lane

*Assistant Examiner* — Aula Soroush

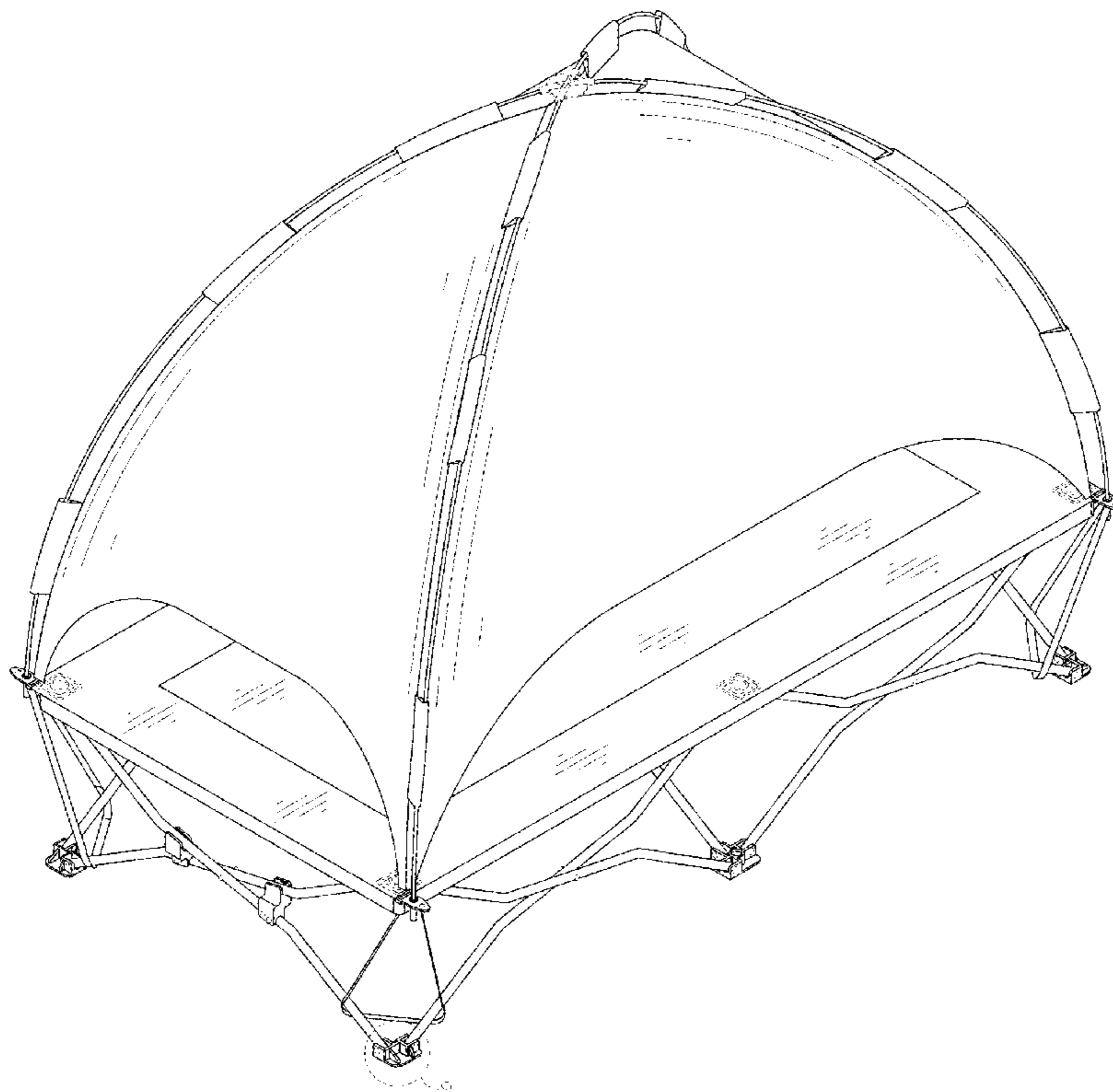
(57) **CLAIM**

The ornamental design for a pet bed, as shown and described.

**DESCRIPTION**

FIG. 1 is a first perspective view of a pet bed showing my new design;  
 FIG. 2 is a second perspective view thereof;  
 FIG. 3 is a front elevation view thereof;  
 FIG. 4 is a rear elevation view thereof;  
 FIG. 5 is a right side elevation view thereof;  
 FIG. 6 is a left side elevation view thereof;  
 FIG. 7 is a top plan view thereof;  
 FIG. 8 is a bottom plan view thereof; and,  
 FIG. 9 is an enlarged view of the selected portion in FIG. 1.  
 The broken lines shown in the drawings depict portions of the pet bed in which the design is embodied that form no part of the claimed design.

**1 Claim, 9 Drawing Sheets**



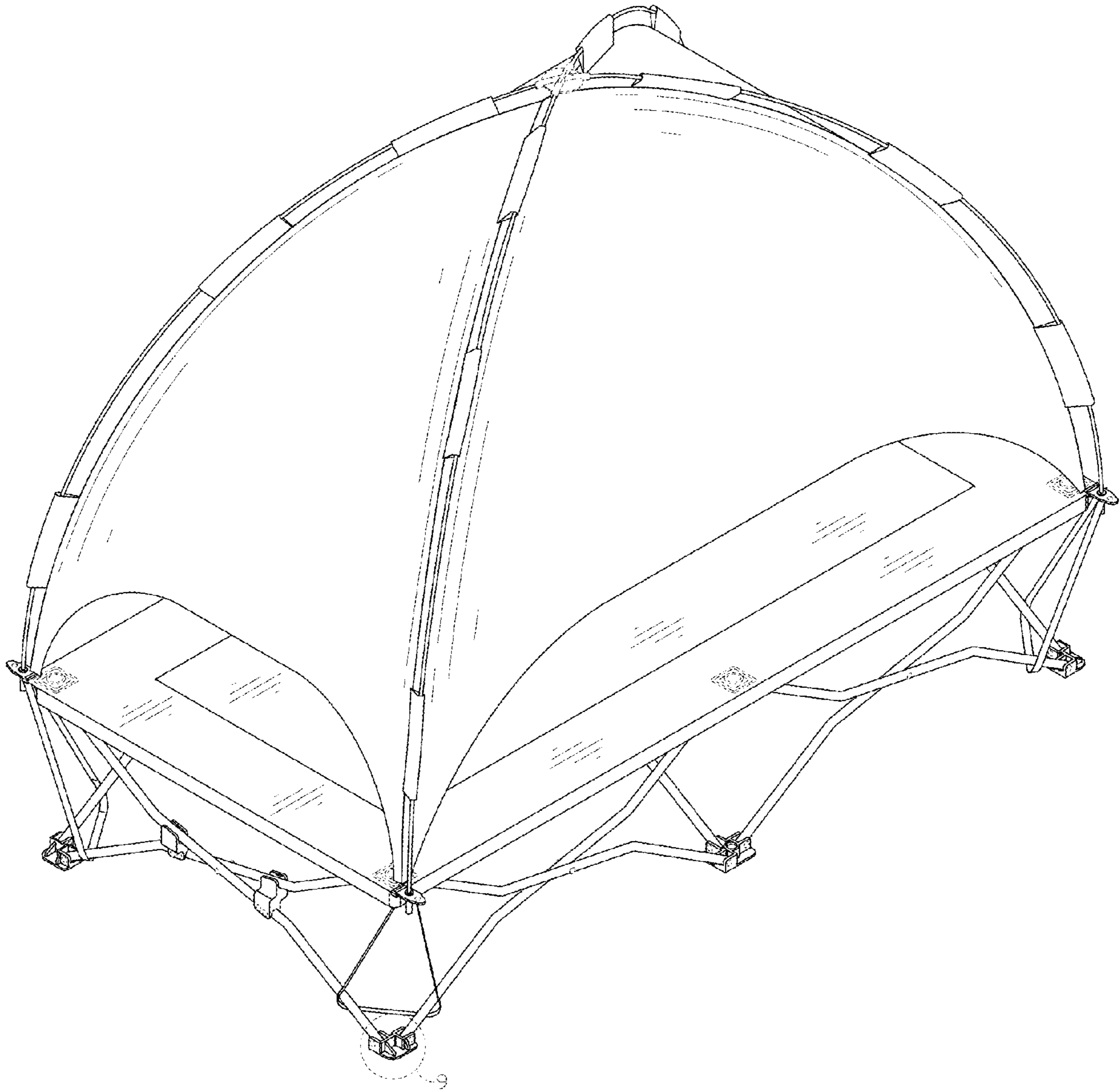


FIG. 1

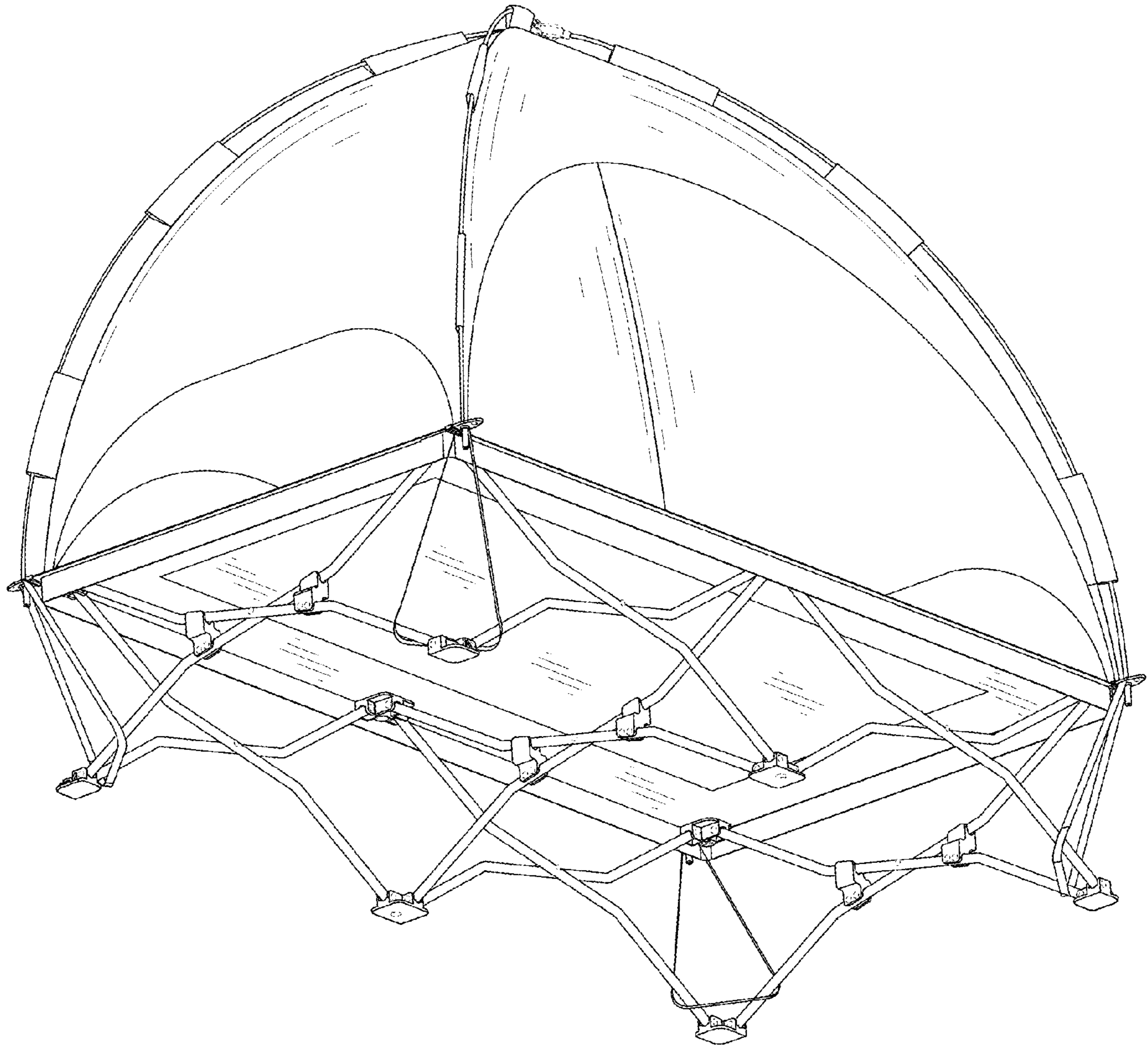


FIG. 2



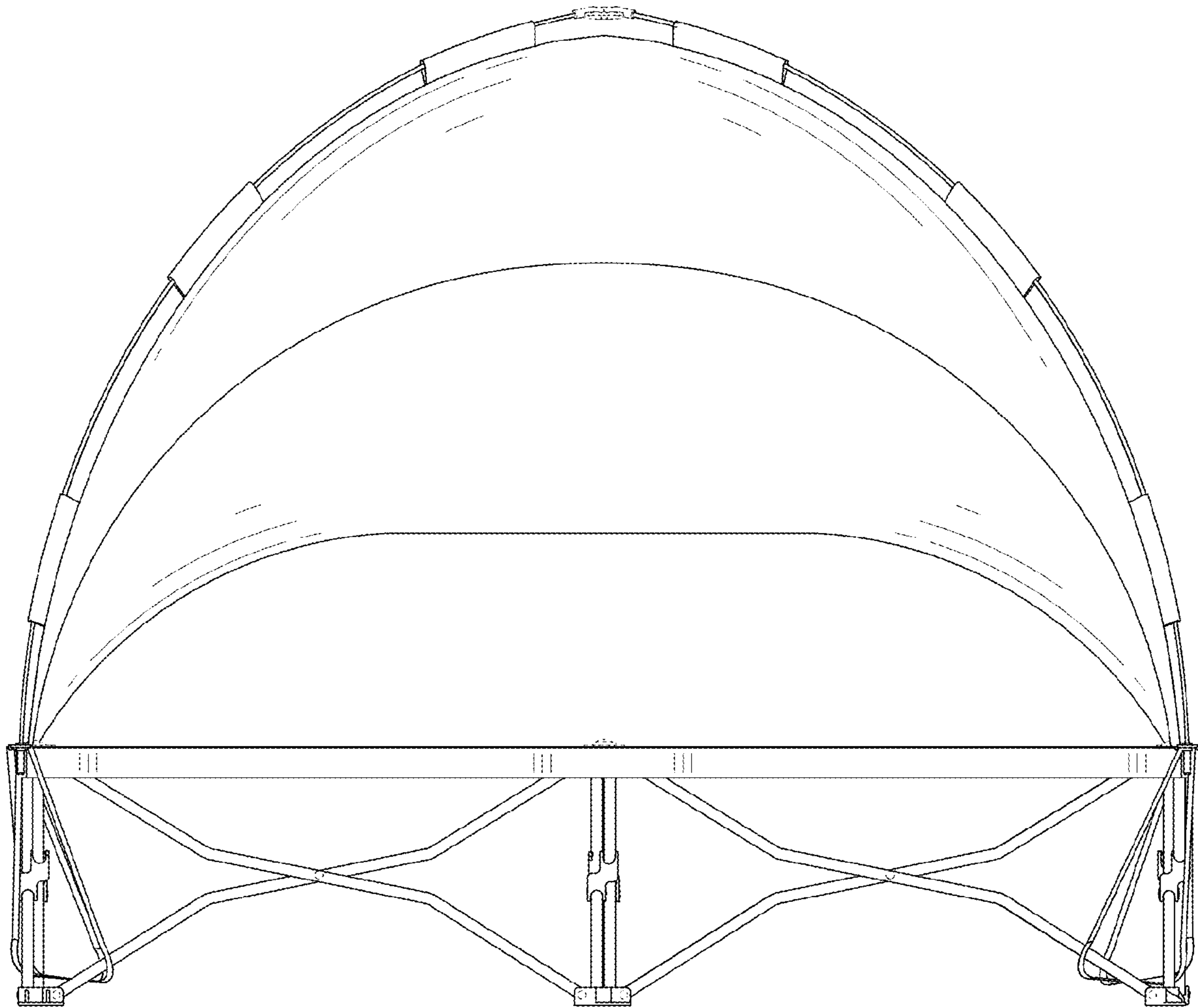


FIG. 3

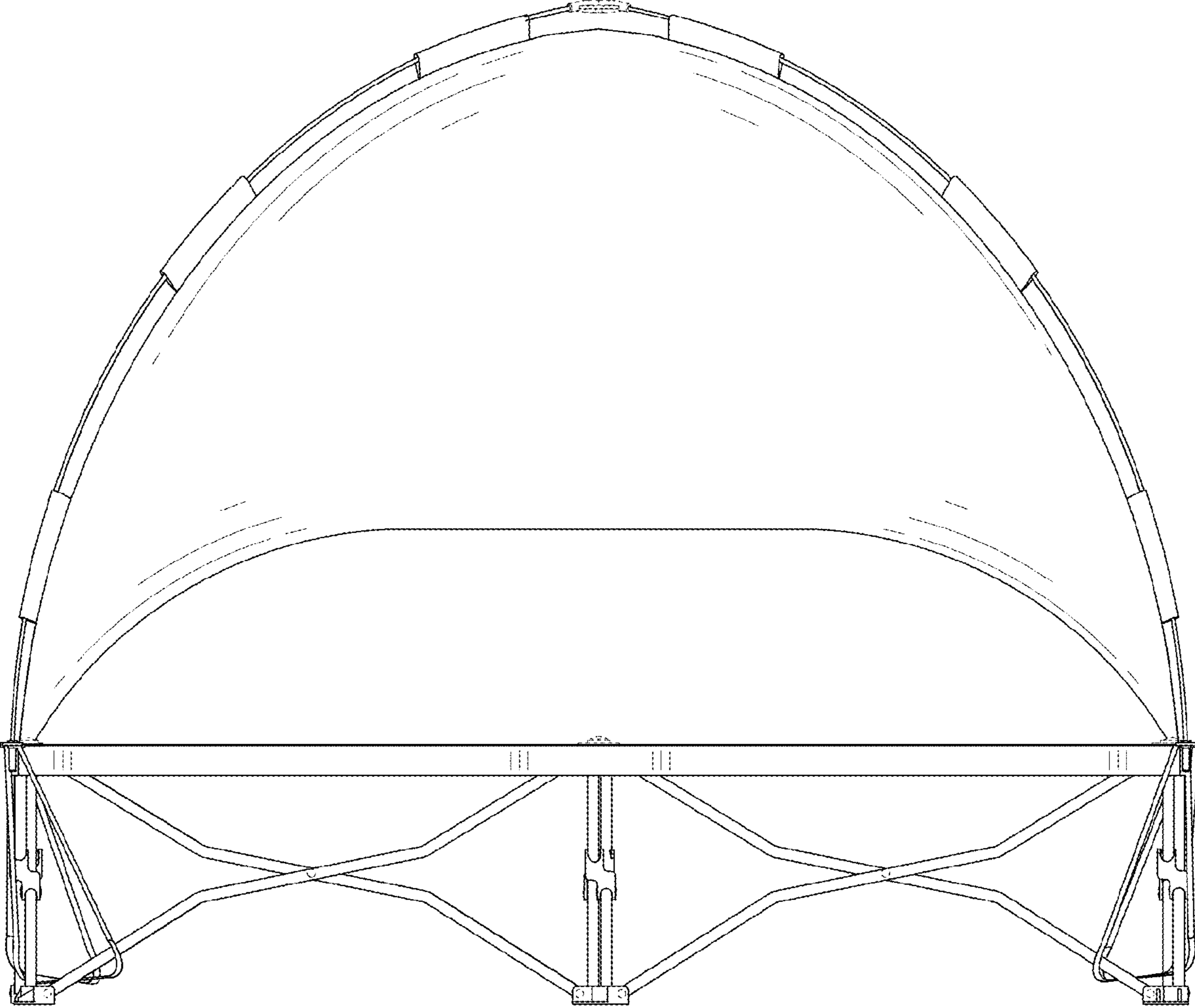


FIG. 4

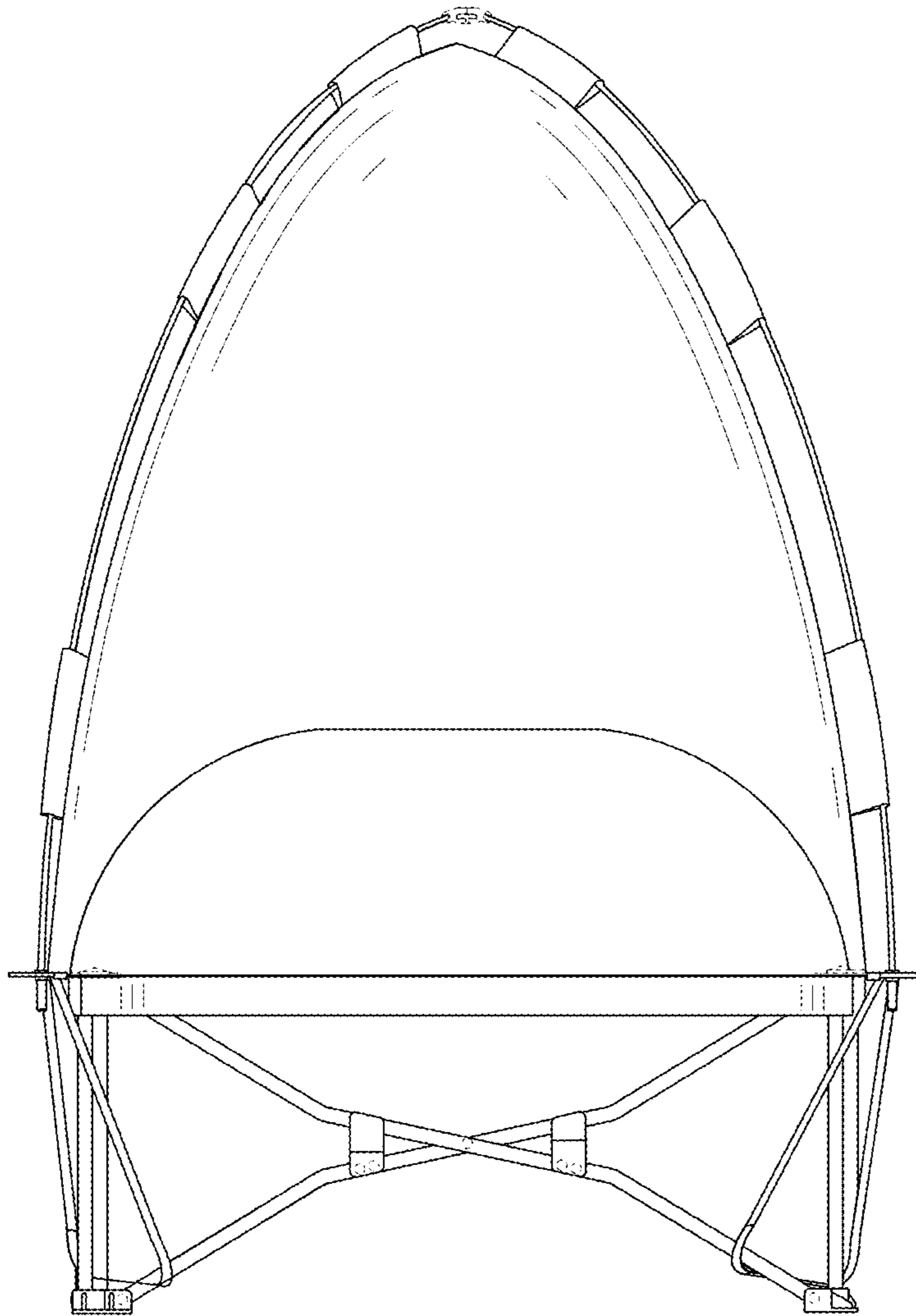


FIG. 5

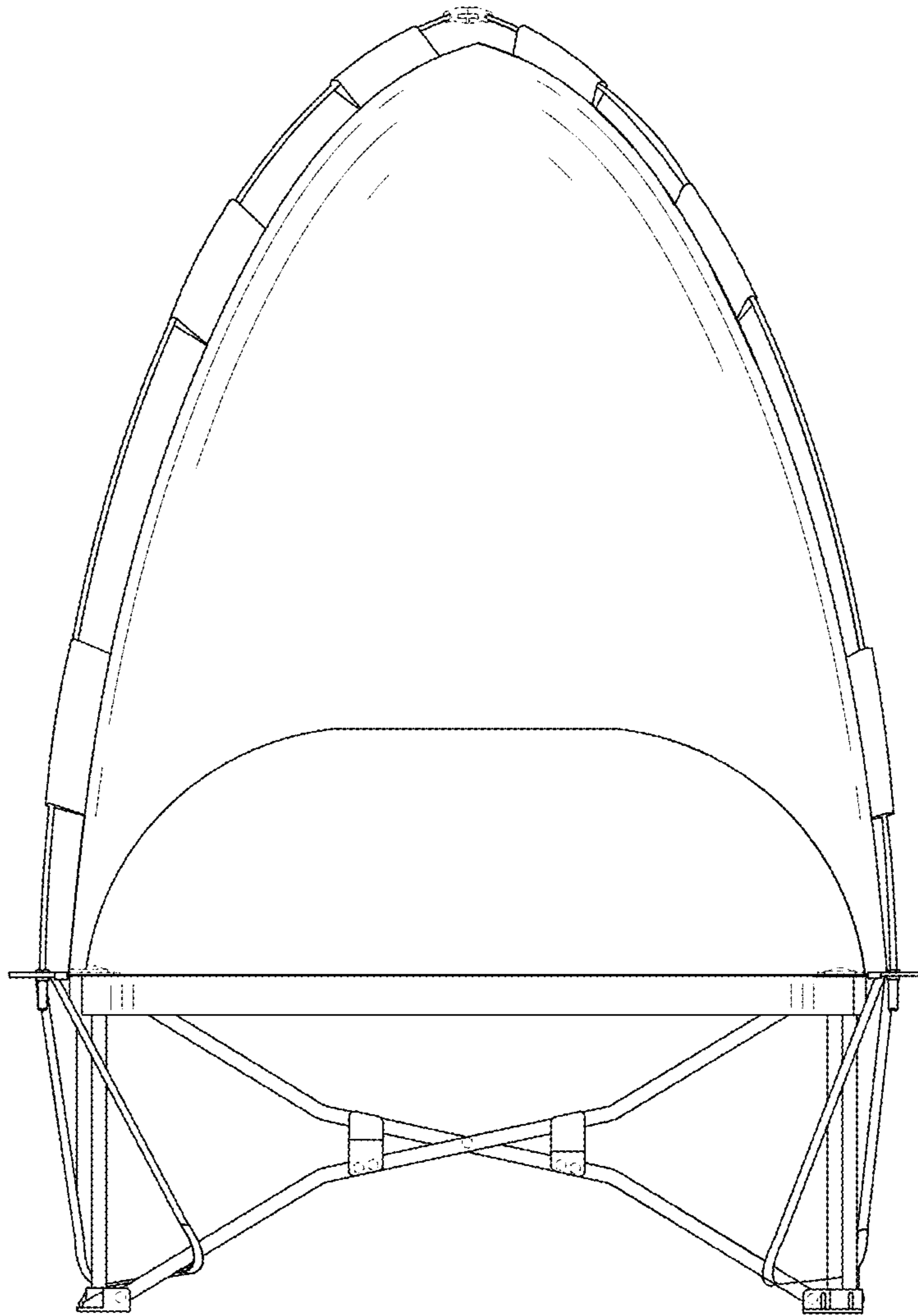


FIG. 6

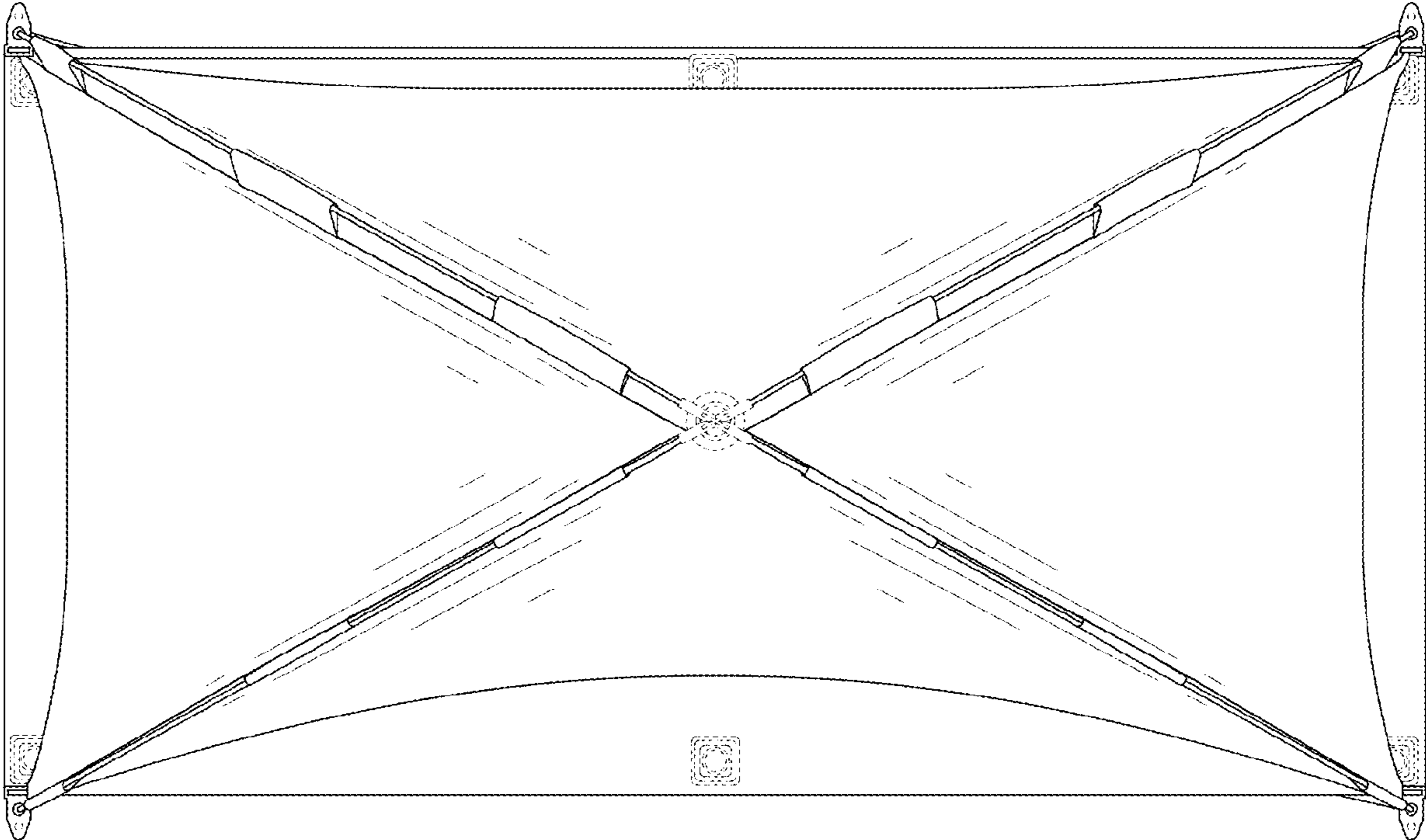


FIG. 7



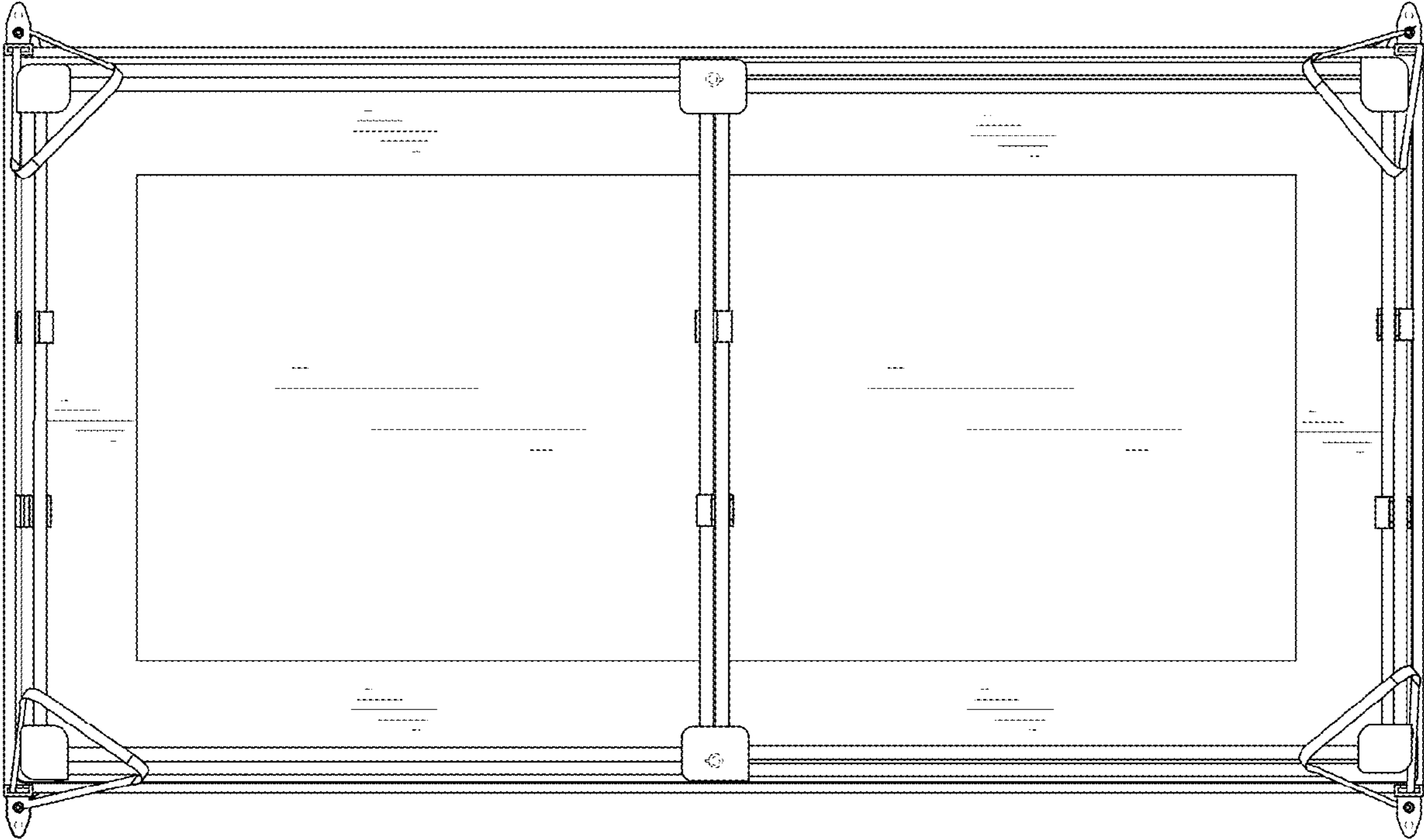


FIG. 8

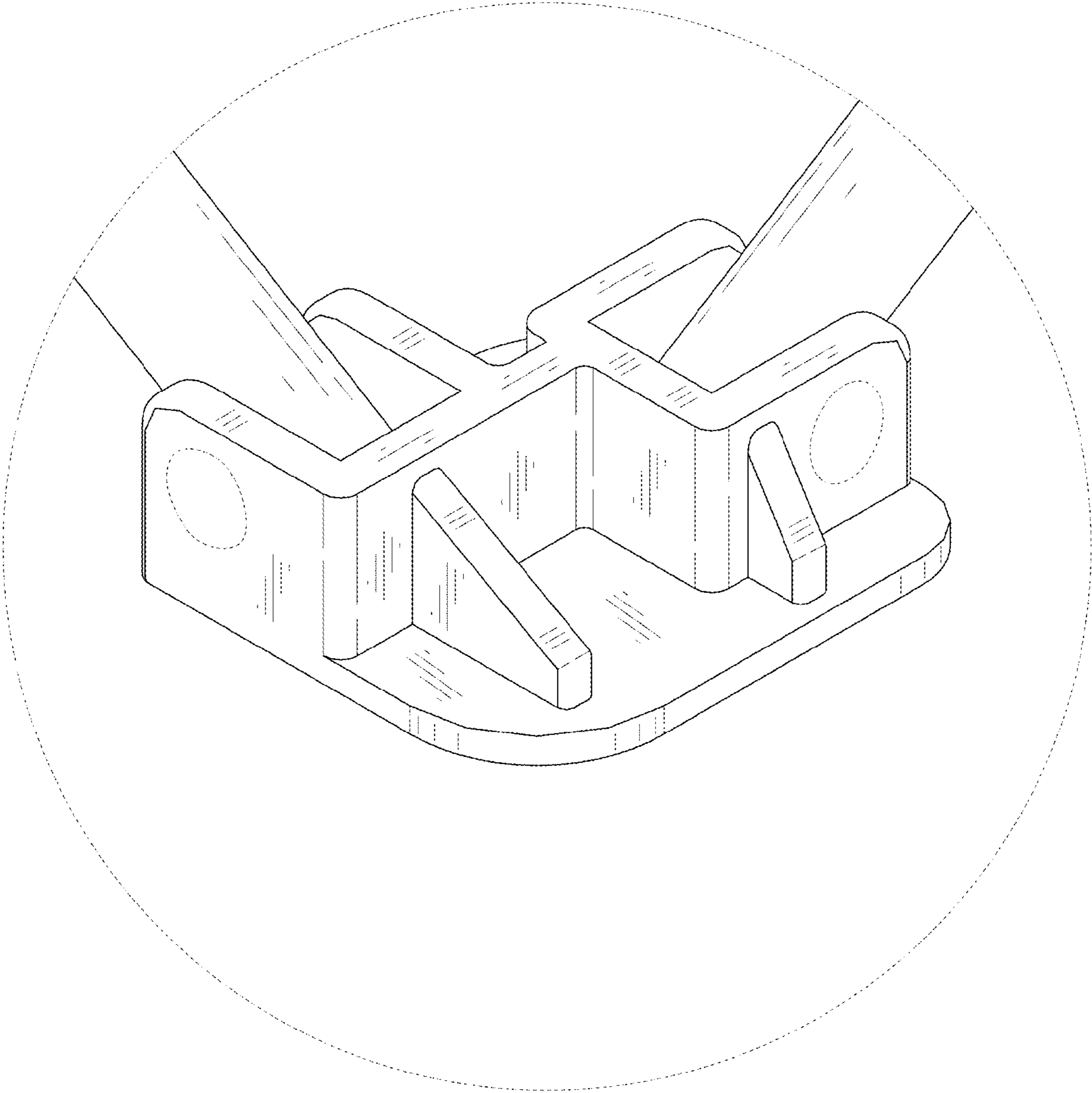


FIG. 9