



US00D927790S

(12) **United States Design Patent**
Jia

(10) **Patent No.:** **US D927,790 S**

(45) **Date of Patent:** **** Aug. 10, 2021**

(54) **WELDING HELMET**

(71) Applicant: **Weidong Jia**, Jiangsu (CN)

(72) Inventor: **Weidong Jia**, Jiangsu (CN)

(73) Assignee: **Jiangsu Meizin Optoelectronics Technology Co., Ltd**, Jiangsu (CN)

(**) Term: **15 Years**

(21) Appl. No.: **29/715,342**

(22) Filed: **Dec. 2, 2019**

(30) **Foreign Application Priority Data**

Sep. 6, 2019 (CN) 201930490069.0

(51) **LOC (13) Cl.** **29-02**

(52) **U.S. Cl.**
USPC **D29/110**

(58) **Field of Classification Search**
USPC D29/102, 103, 106, 107, 108, 110, 122
CPC .. A42B 3/225; A42B 3/18; A42B 3/28; A42B 3/281; A42B 3/288; A61F 9/06; A61F 9/061; A61F 9/062; A61F 9/063; A61F 9/064; A61F 9/065; A61F 9/067; A61F 9/068; B23K 9/322

See application file for complete search history.

(56) **References Cited**

U.S. PATENT DOCUMENTS

D310,276 S * 8/1990 Fuerthbauer D29/110
D355,053 S * 1/1995 Honrud D29/108
D365,666 S * 12/1995 Gump D29/110
D393,933 S * 4/1998 Huh D29/110

D398,421 S * 9/1998 Crafoord D29/110
D446,887 S * 8/2001 Young D29/107
D481,832 S * 11/2003 Huh D29/110
D499,215 S * 11/2004 Cheng D29/110
D527,849 S * 9/2006 Huh D29/110
D585,604 S * 1/2009 Martin D29/110
D728,163 S * 4/2015 Zhou D29/110
D742,075 S * 10/2015 Zhou D29/110
D770,689 S * 11/2016 Patel D29/110
D779,128 S * 2/2017 Patel D29/107
D793,626 S * 8/2017 Yang D29/110
10,016,008 B2 * 7/2018 Sommers A61F 9/06
D833,683 S * 11/2018 Yang D29/110
D857,303 S * 8/2019 Yang D29/110
D857,304 S * 8/2019 Yang D29/110
D877,421 S * 3/2020 Francis D29/110
D885,678 S * 5/2020 Jia D29/110
2020/0289323 A1 * 9/2020 Daniels A61F 9/064

* cited by examiner

Primary Examiner — Kimberly Barnes

(57) **CLAIM**

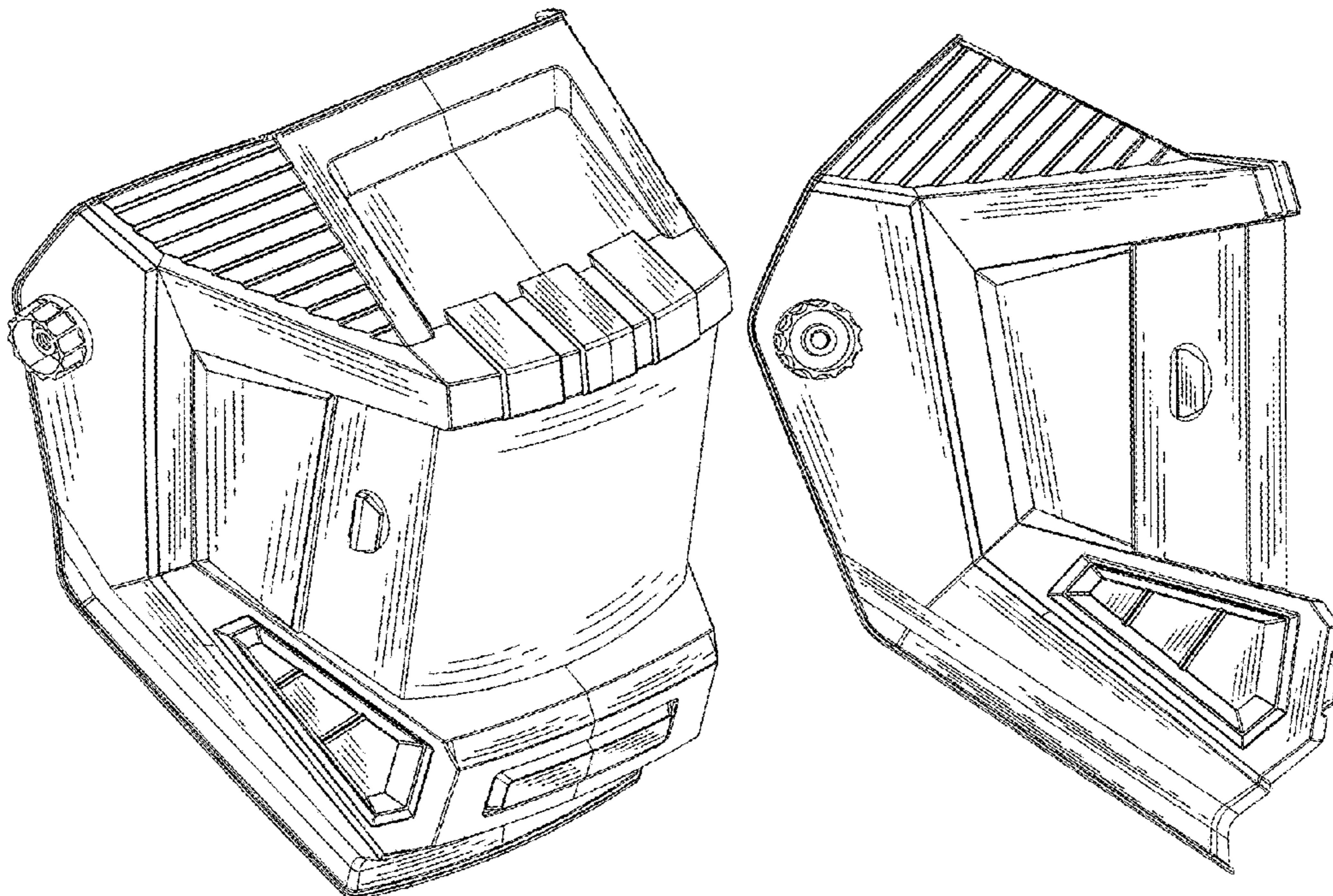
The ornamental design for a welding helmet, as shown and described.

DESCRIPTION

FIG. 1 is a perspective view of a welding helmet showing my new design;
FIG. 2 is a front elevational view thereof;
FIG. 3 is a rear elevational view thereof;
FIG. 4 is a left side elevational view thereof;
FIG. 5 is a right side elevational view thereof;
FIG. 6 is a top plan view thereof; and,
FIG. 7 is a bottom plan view thereof.

The portions of the welding helmet shown in broken lines form no part of the claimed design.

1 Claim, 7 Drawing Sheets



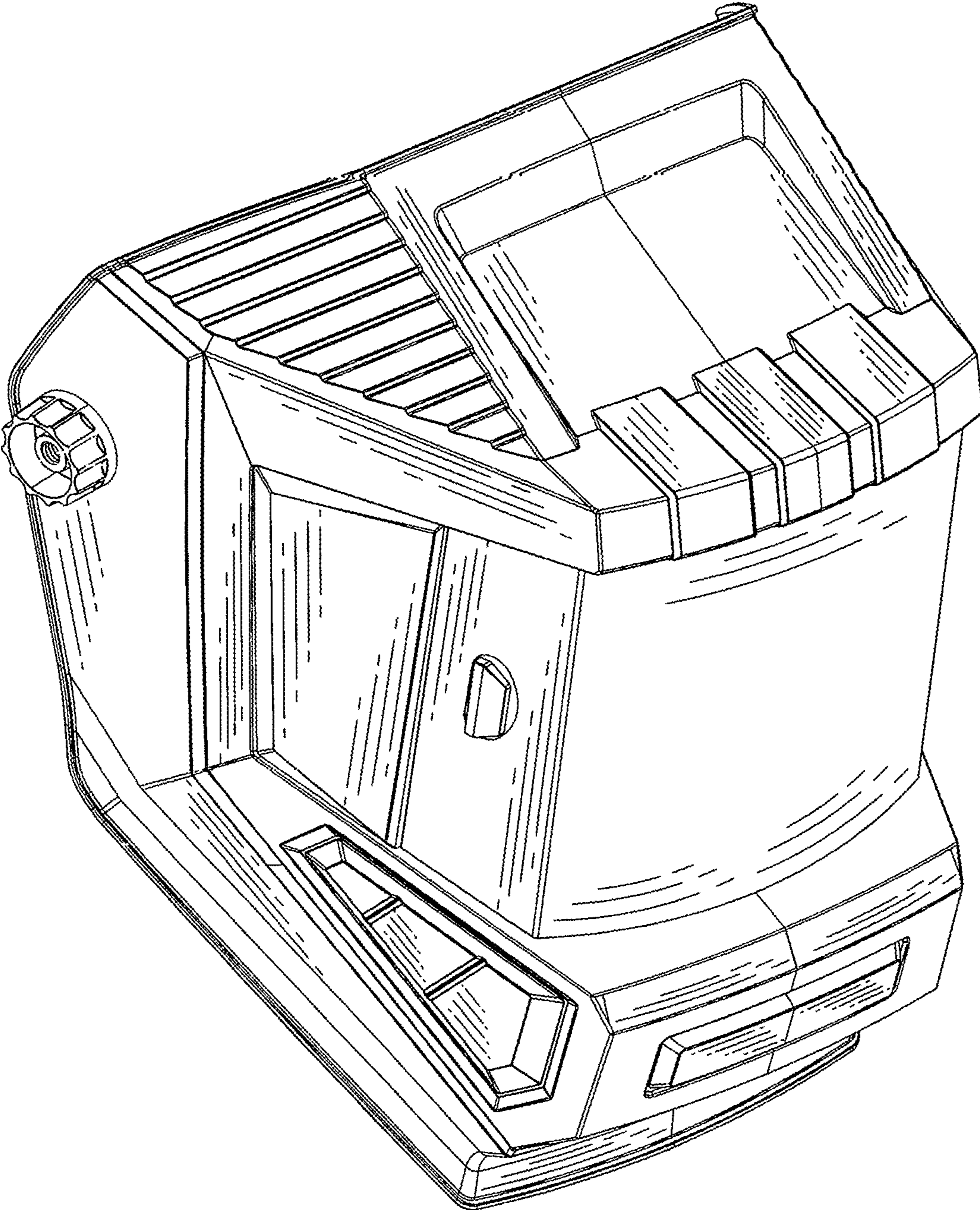


FIG. 1

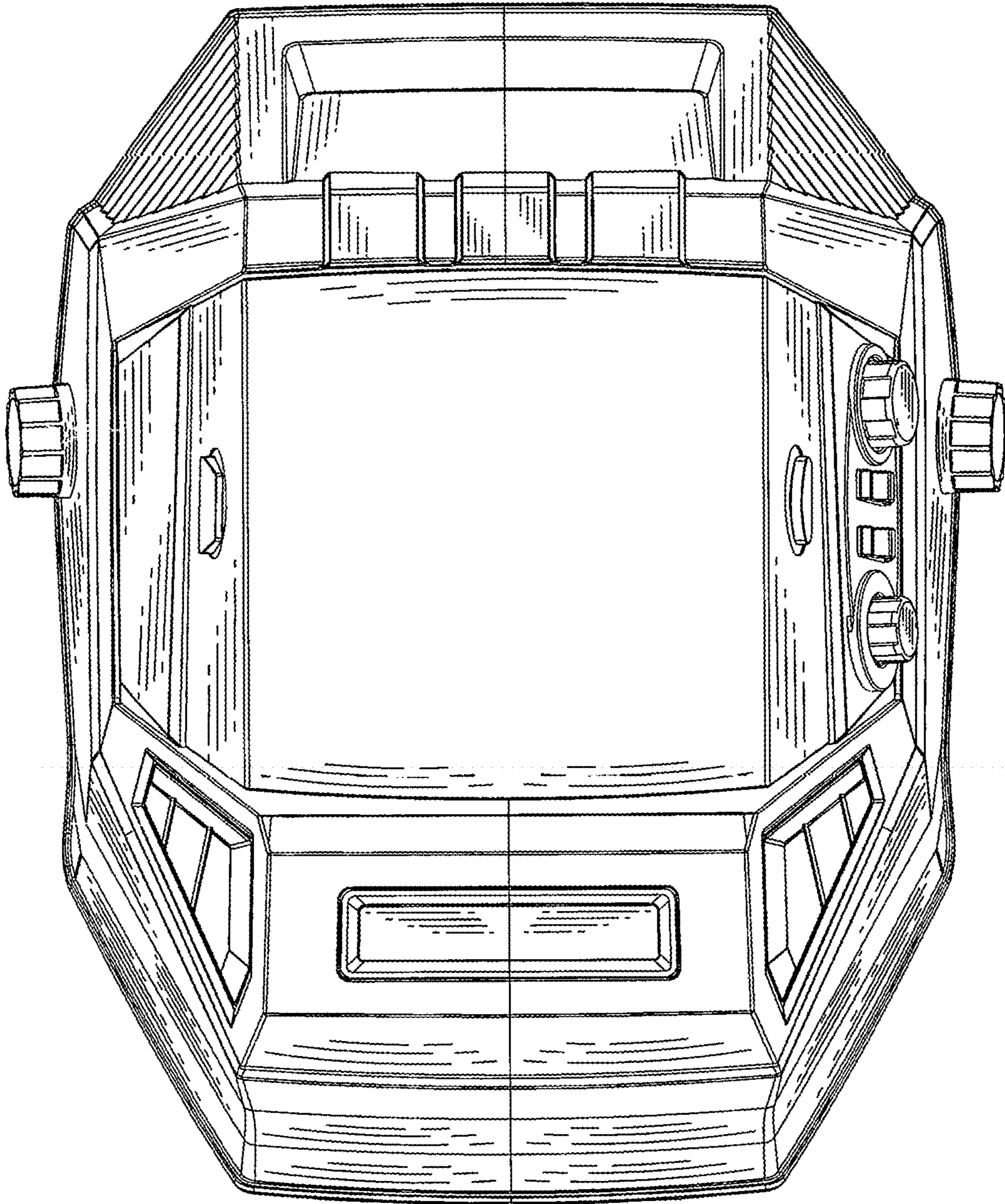


FIG. 2

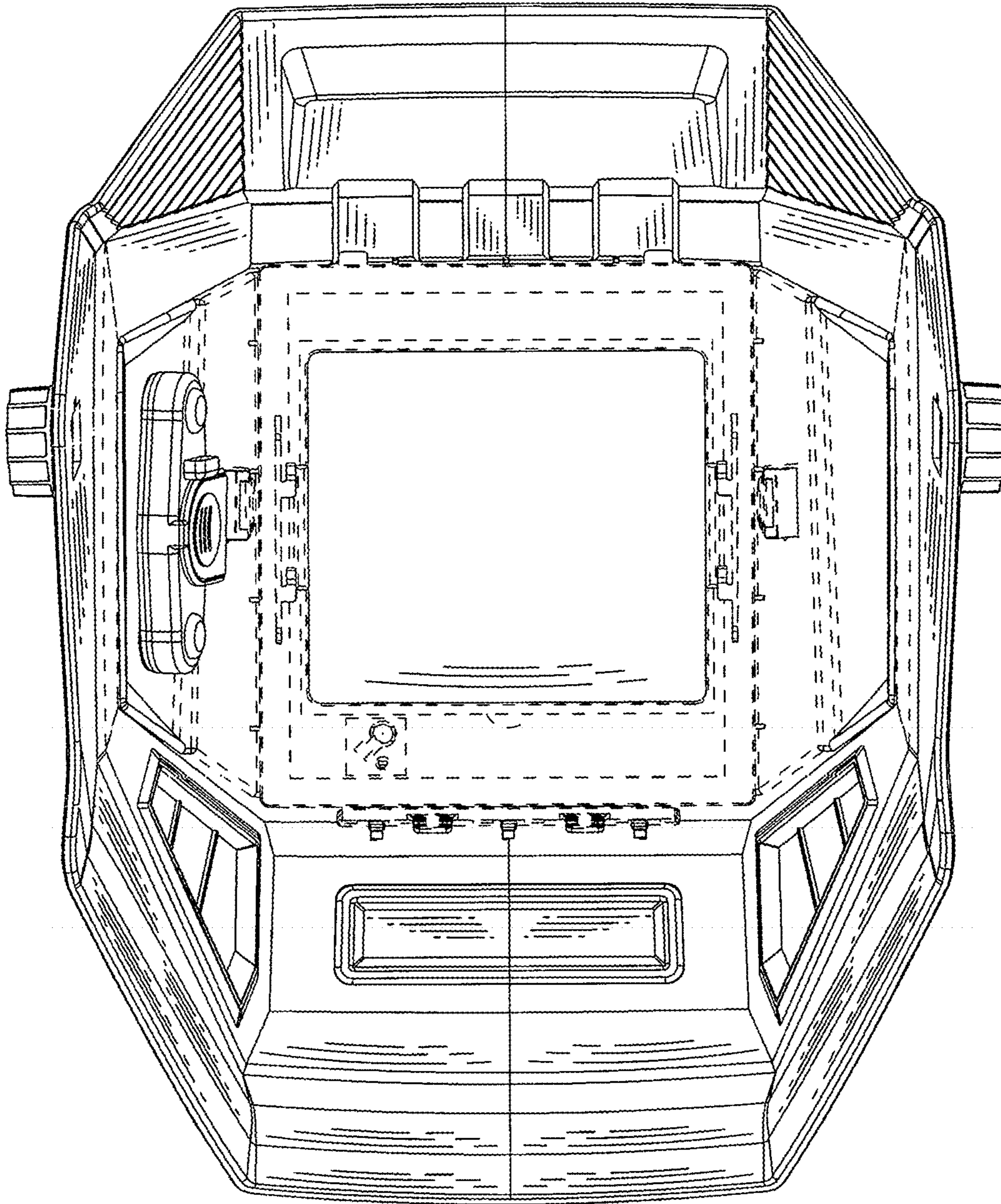


FIG. 3

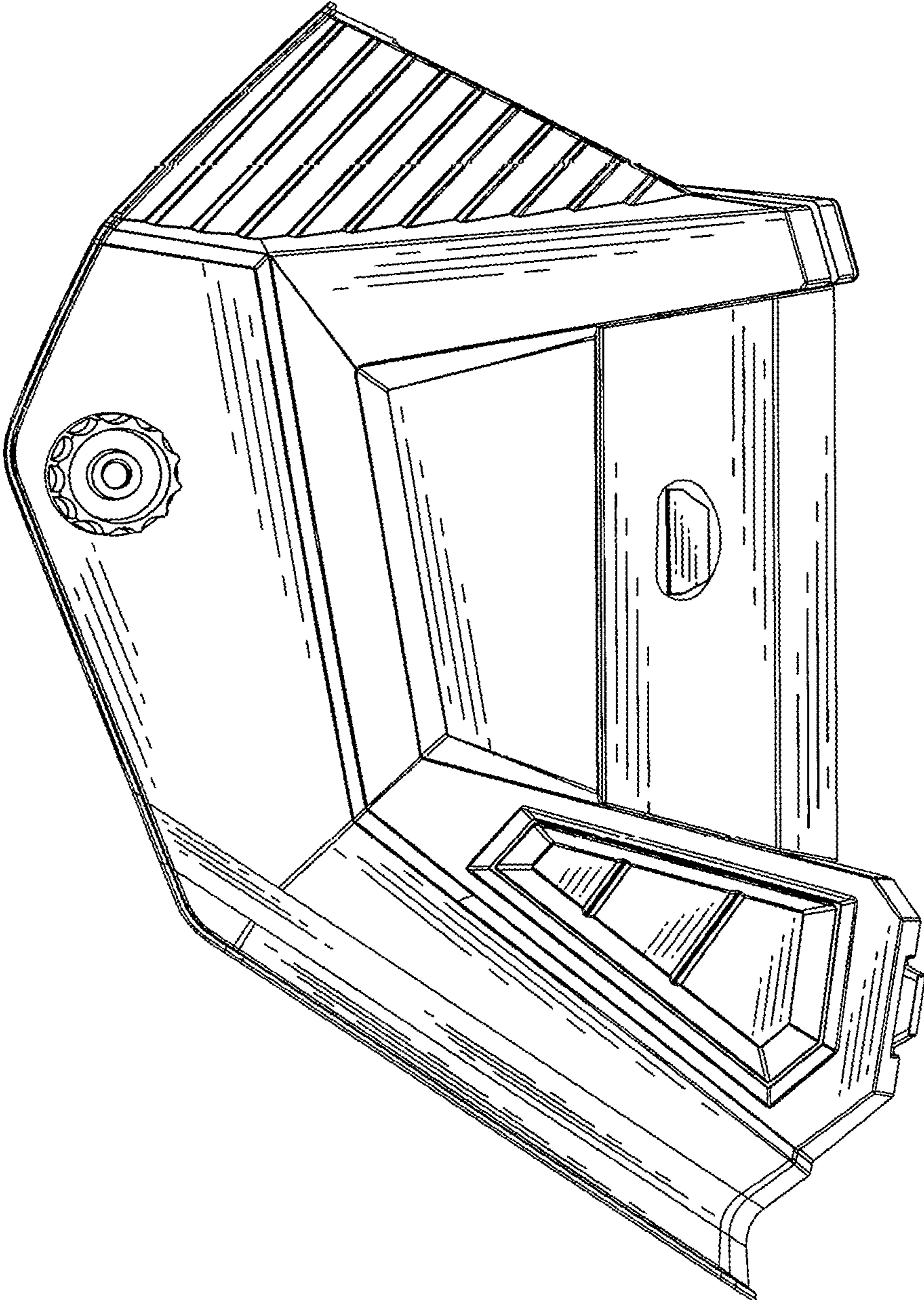


FIG. 4

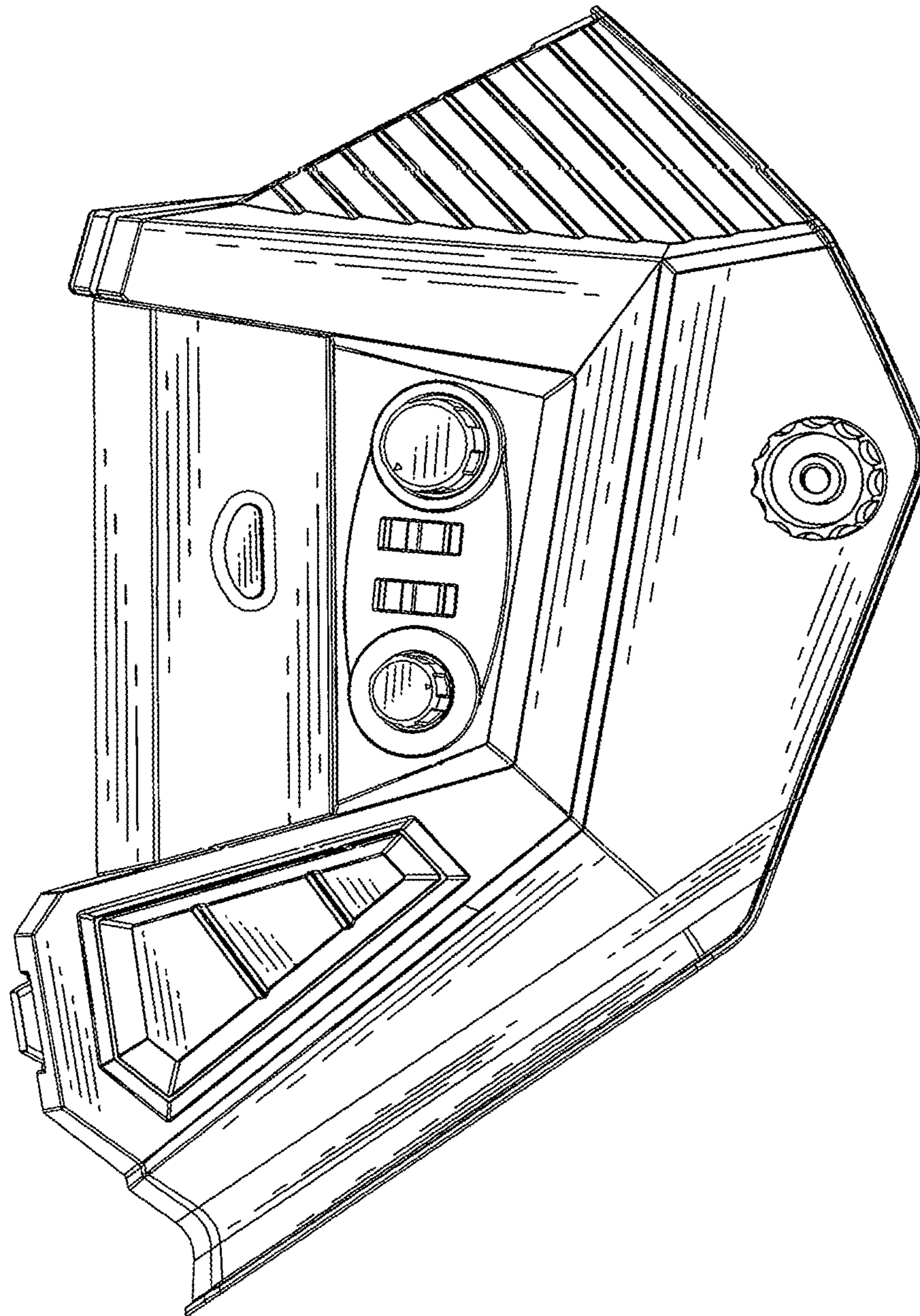


FIG. 5

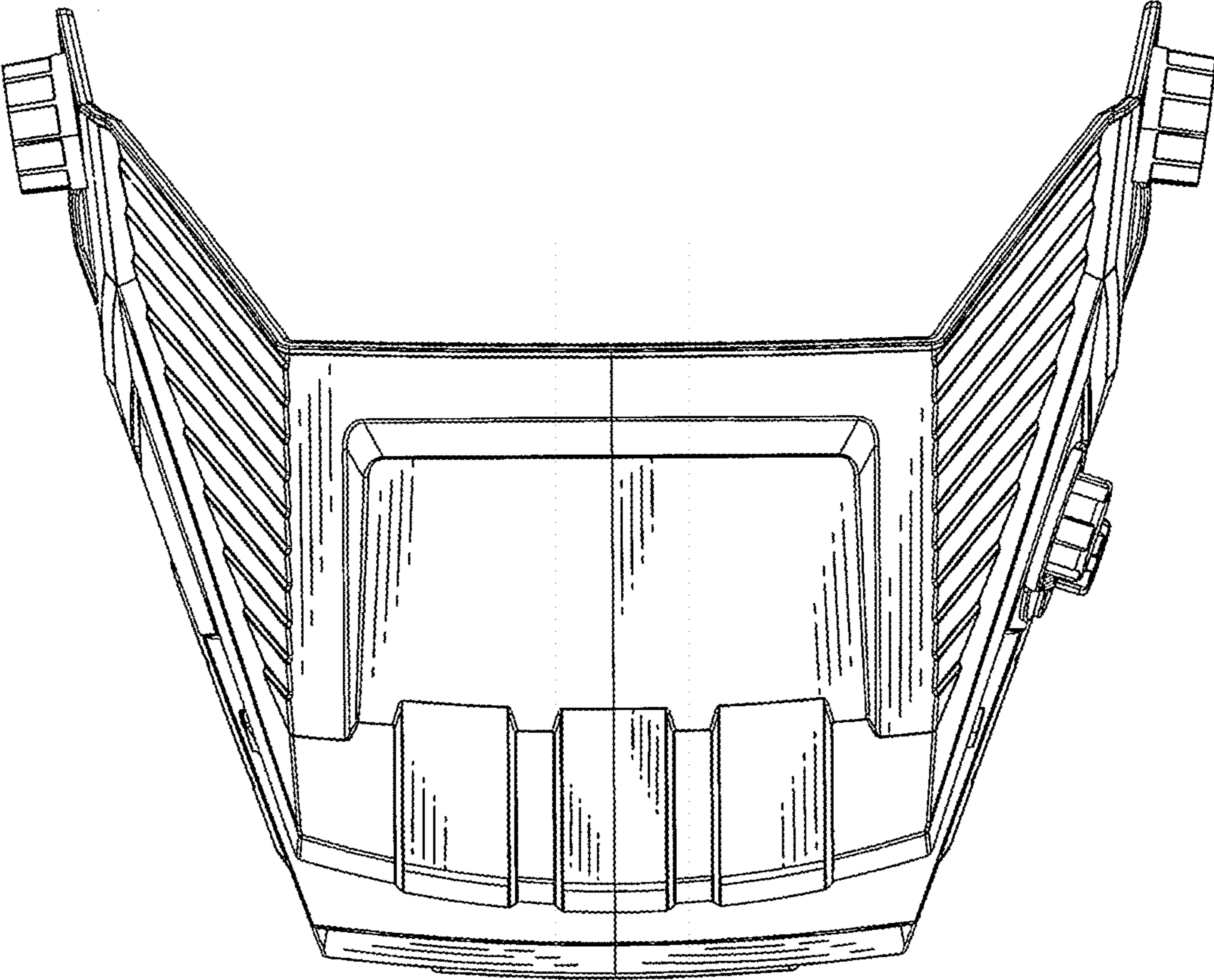


FIG. 6

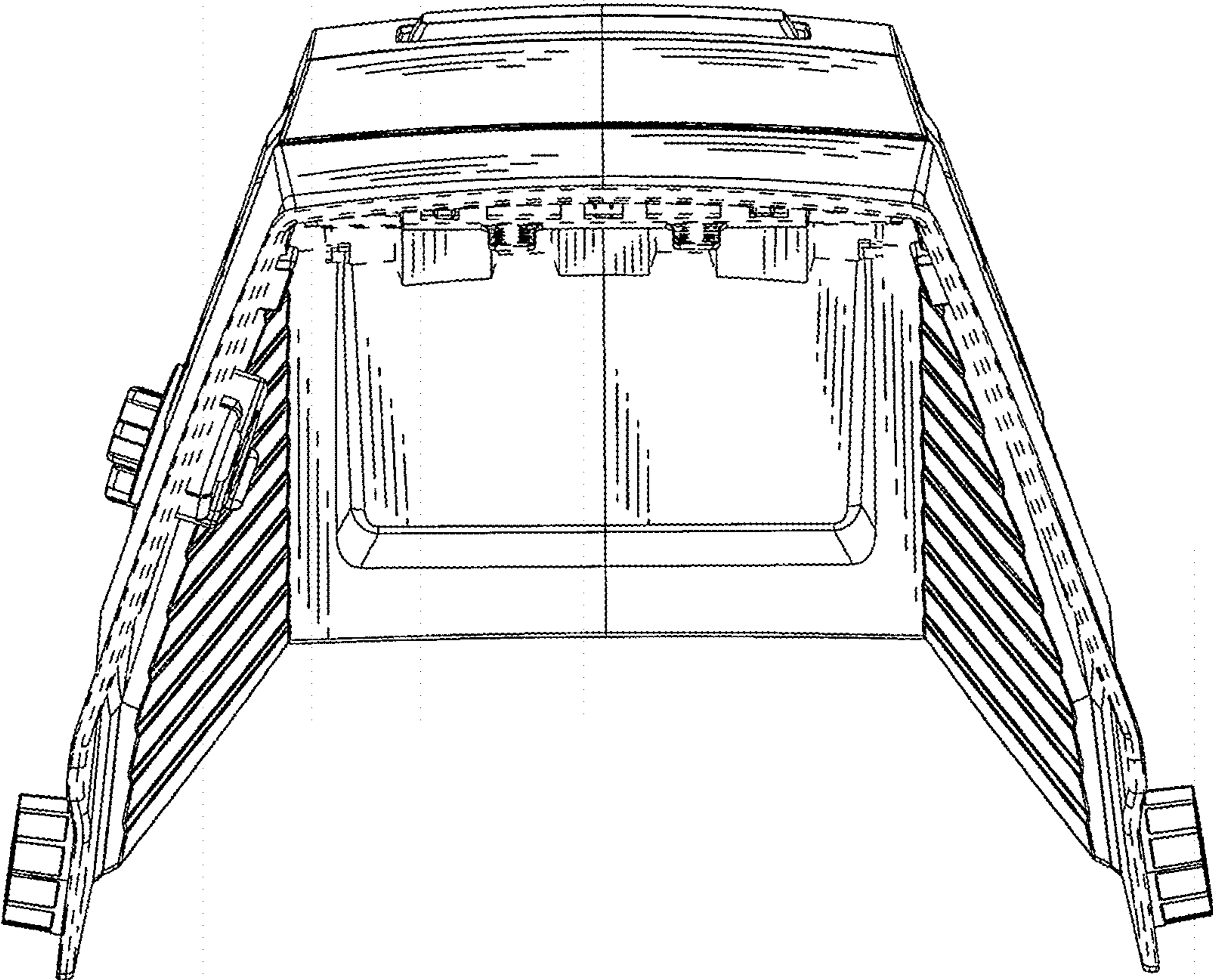


FIG. 7