



US00D927784S

(12) **United States Design Patent** (10) **Patent No.:** **US D927,784 S**
Kim (45) **Date of Patent:** **** Aug. 10, 2021**

(54) **CASE FOR COSMETIC BRUSH**
(71) Applicant: **CJ OLIVE YOUNG CORPORATION**, Seoul (KR)
(72) Inventor: **Sunghoon Kim**, Hanam-si (KR)
(73) Assignee: **CJ OLIVE YOUNG CORPORATION**, Seoul (KR)
(**) Term: **15 Years**
(21) Appl. No.: **29/728,819**
(22) Filed: **Mar. 20, 2020**

(30) **Foreign Application Priority Data**
Mar. 11, 2020 (KR) 30-2020-0010893

(51) **LOC (13) Cl.** **28-03**
(52) **U.S. Cl.**
USPC **D28/73**

(58) **Field of Classification Search**
USPC ... D3/203.1–203.8, 205–206, 215, 219, 226, D3/247, 250–252, 263–266, 273, D3/293–294, 298–299, 301, 303, 315, D3/901; D6/515, 517, 534, 536; D7/600.1, 600.4, 637; D9/734, 759–760; D19/101–103, 106, 194–195; D27/172, D27/180, 183, 186, 189–191; D28/73, D28/76, 85–86, 91; D4/199
CPC .. A24F 9/16; A24F 13/14; A24F 15/00; A24F 15/12; A24F 15/14; A24F 15/18; A24F 15/20; A24F 23/00; A24F 23/04; A24F 47/002; A24F 47/008; A45C 3/00; A45C 5/00; A45C 5/005; A45C 5/04; A45C 7/00; A45C 9/00; A45C 11/00; A45C 11/008; A45C 11/04; A45C 11/16; A45C

(Continued)

(56) **References Cited**
U.S. PATENT DOCUMENTS
2,888,020 A * 5/1959 Schultz A45D 34/00 132/73.5
D366,063 S * 1/1996 Lanoie D19/194
(Continued)

FOREIGN PATENT DOCUMENTS

JP D1667856 * 7/2020

OTHER PUBLICATIONS

Fillimilli S Silky Powder Brush (M) 882, unknown first available date, global.oliveyoung.com [online], [site visited Apr. 19, 2021], Available at internet URL: <https://global.oliveyoung.com/product/fillimilli-s-silky-powder-brush-m-882-cleaner-special-set/40572/> (Year: 2021).*

(Continued)

Primary Examiner — April Rivas
Assistant Examiner — Caitlin A Laverty
(74) *Attorney, Agent, or Firm* — Ladas & Parry LLP

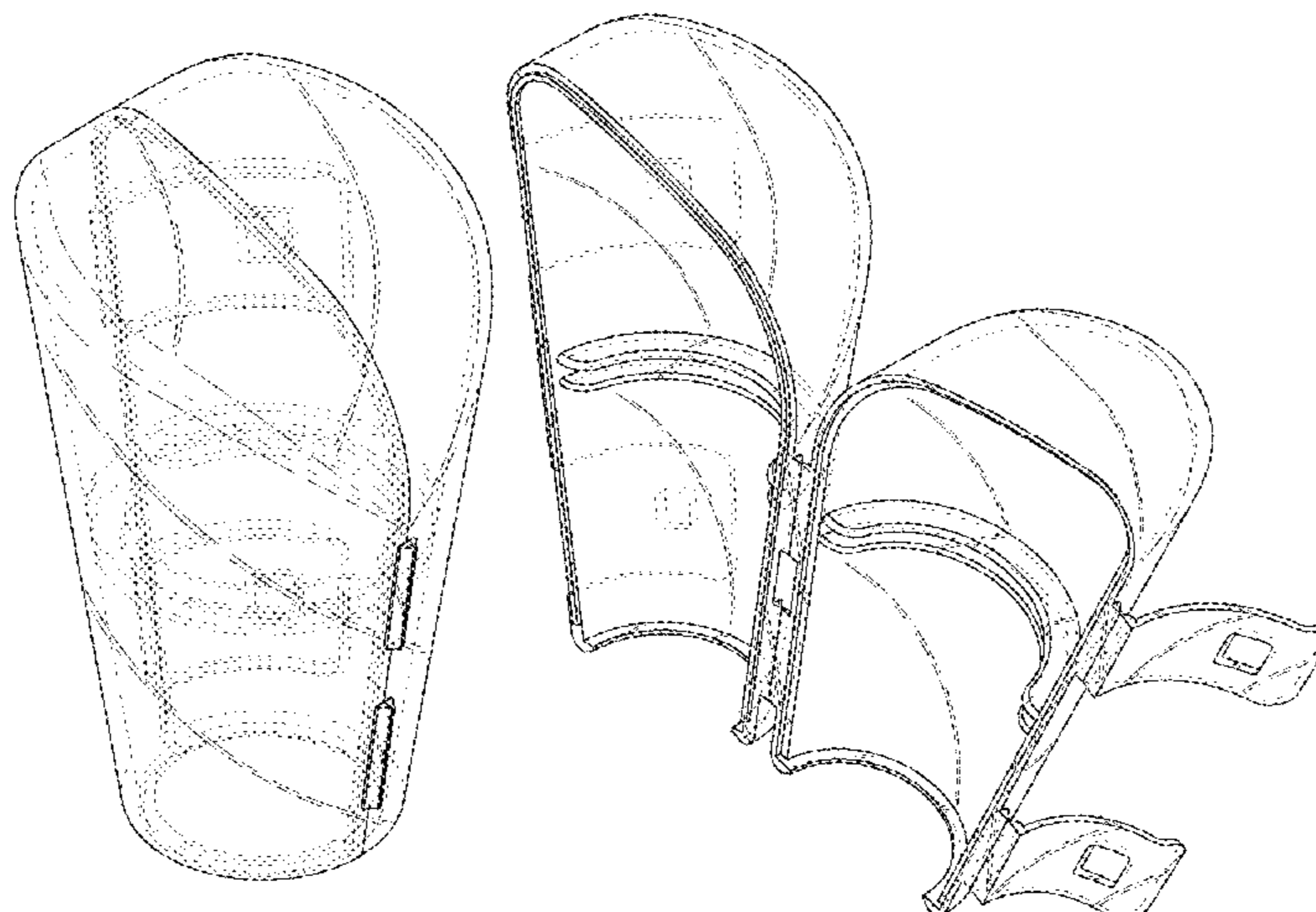
(57) **CLAIM**

I claim the ornamental design for a case for cosmetic brush, as shown and described.

DESCRIPTION

FIG. 1 is a front perspective view of a case for cosmetic brush showing my new design; FIG. 2 is a front view thereof; FIG. 3 is a rear view thereof; FIG. 4 is a left-side view thereof; FIG. 5 is a right-side view thereof; FIG. 6 is a top view thereof; FIG. 7 is a bottom view thereof; FIG. 8 a perspective view of a case for cosmetic brush of the present design in an open position; and, FIG. 9 shows the case of the present design mounted to a cosmetic brush. The broken lines showing a cosmetic brush in FIG. 9 form no part of the claimed design.

1 Claim, 9 Drawing Sheets



(58) **Field of Classification Search**

CPC 11/24; A45C 11/26; A45C 11/34; A45C 11/36; A45C 13/002; A45C 2011/007; A45D 33/12; A45D 33/14; A45D 33/22; A45D 33/24; A45D 33/26; A45D 33/28; A45D 34/00; A45D 34/04; A45D 34/041; A45D 34/06; A45D 40/00; A45D 40/18; A45D 40/26; A45D 40/261; A45D 40/262; A45D 44/11; A45D 44/18; A47F 7/02; A47F 7/021; A61J 1/00; A61J 1/03; A61J 7/04; A61J 7/0084; B65D 1/36; B65D 43/16; B65D 50/04; B65D 83/04; B65D 83/0445; B65D 83/0481; B65D 85/00; B65D 85/02; B65D 85/10

See application file for complete search history.

D761,022 S * 7/2016 Wang D3/293
 D772,579 S * 11/2016 Baranes D4/116
 D778,502 S * 2/2017 Teller D28/85
 D778,503 S * 2/2017 Teller D28/85
 D845,549 S * 4/2019 Nicoline D28/73
 D884,282 S * 5/2020 Jung D28/76
 D894,001 S * 8/2020 Huang D9/444
 D915,672 S * 4/2021 Atlason D28/47
 D920,578 S * 5/2021 Min D28/76
 D920,580 S * 5/2021 Min D28/85
 2013/0056377 A1 * 3/2013 Shaughness A46B 17/04
 206/361
 2014/0332642 A1 * 11/2014 Lim A46B 17/04
 248/111
 2017/0013935 A1 * 1/2017 Schlatter A45D 40/00
 2019/0216201 A1 * 7/2019 Huang A45D 34/04
 2020/0405048 A1 * 12/2020 Pyne A46B 17/04

(56) **References Cited**

U.S. PATENT DOCUMENTS

D433,799 S * 11/2000 Weinstock D3/215
 D459,550 S * 6/2002 Ng D28/73
 D477,227 S * 7/2003 Goswell D9/529
 D592,502 S * 5/2009 Casebasse D9/431
 D622,963 S * 9/2010 Paik D4/199
 D747,972 S * 1/2016 Allan D9/682

OTHER PUBLICATIONS

Candy Drop—Set of 15: Acrylic Makeup Brush Head Cover, unknown first available date, yesstyle.com [online], [site visited Apr. 19, 2021], Available at internet URL: <https://www.yesstyle.com/en/candy-drop-set-of-15-acrylic-makeup-brush-head-cover-15-pieces-one/info.html/pid.1094494242###productAnchor> (Year: 2021).*

* cited by examiner

FIG. 1

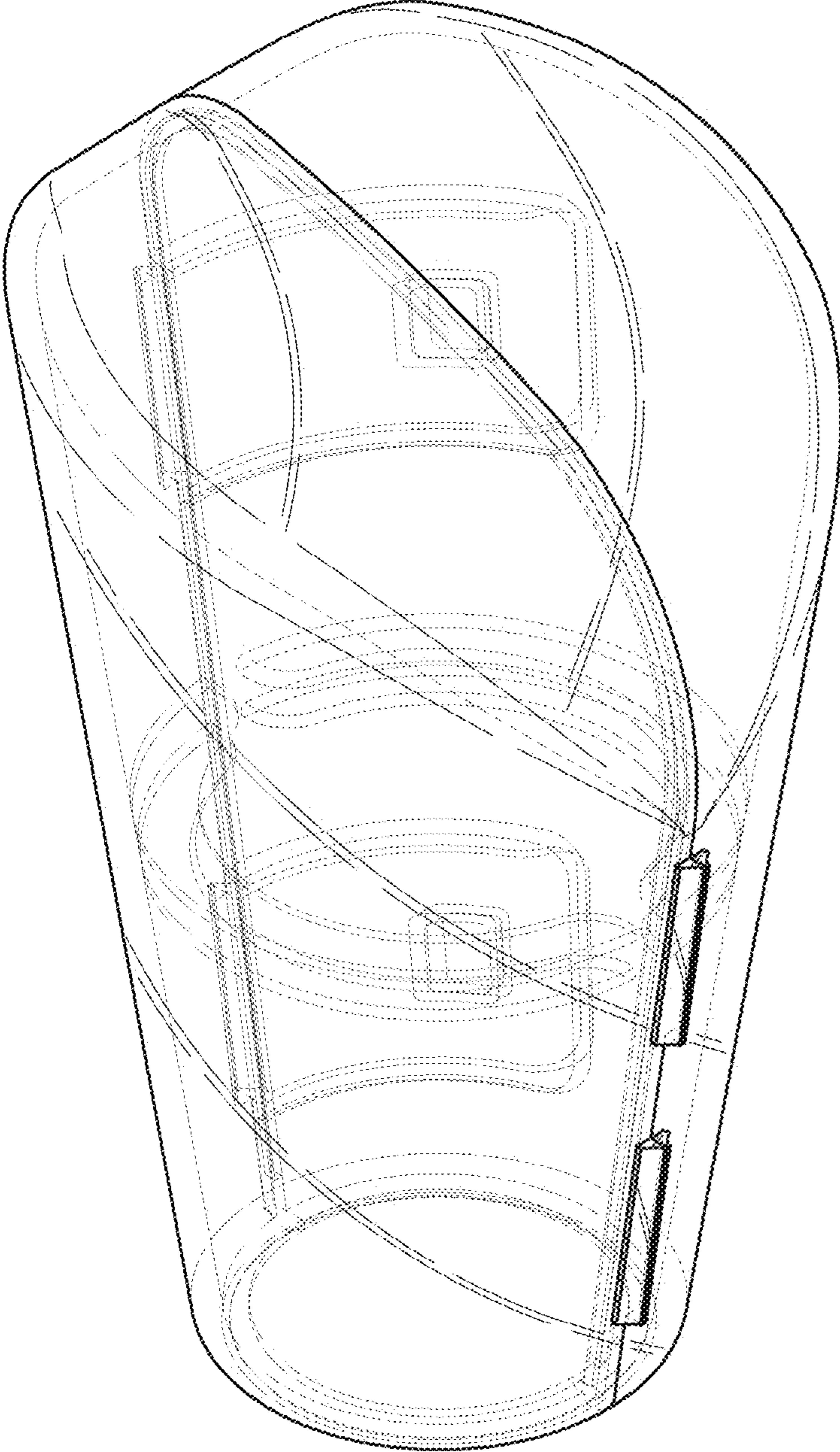


FIG. 2

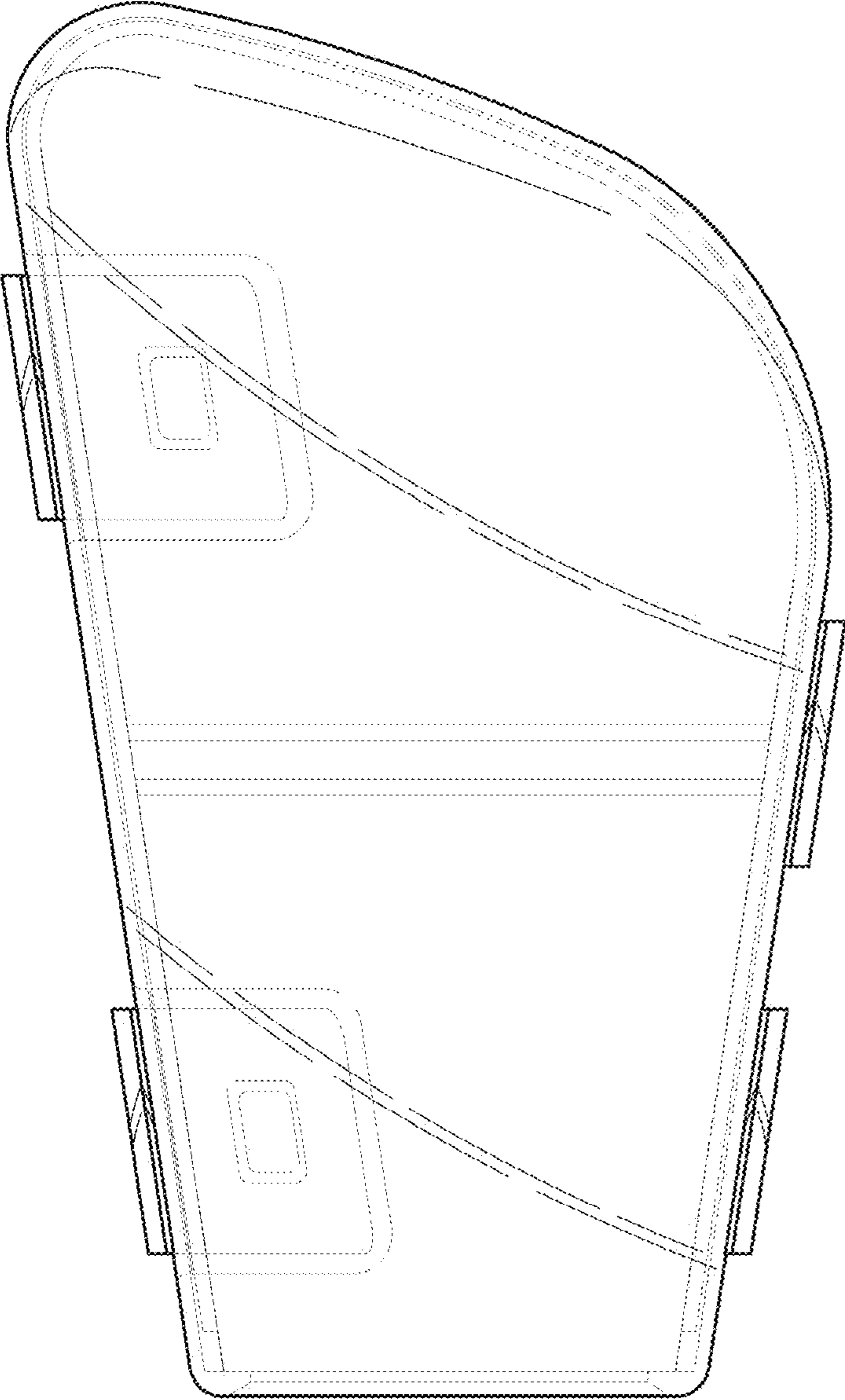


FIG. 3

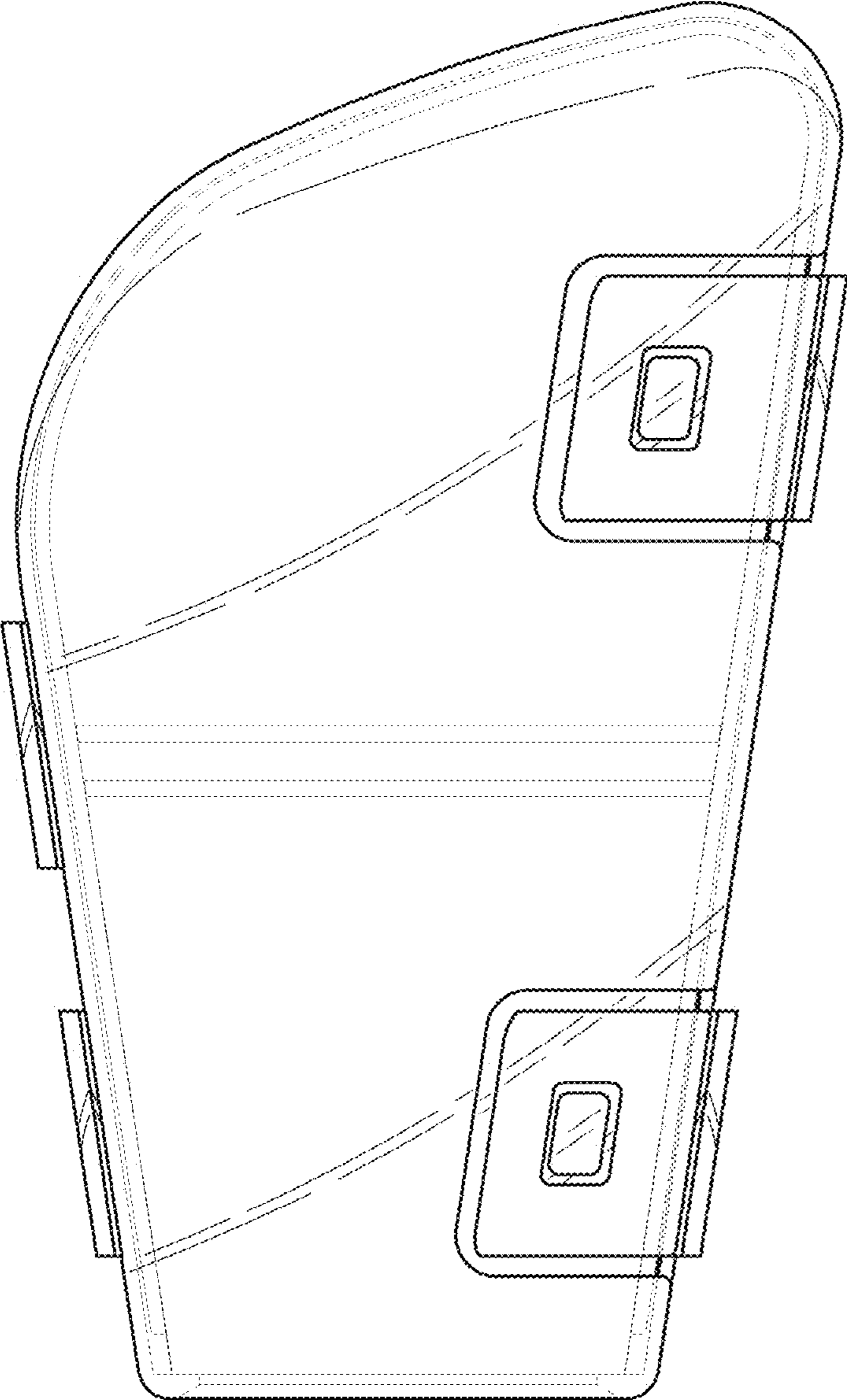


FIG. 4

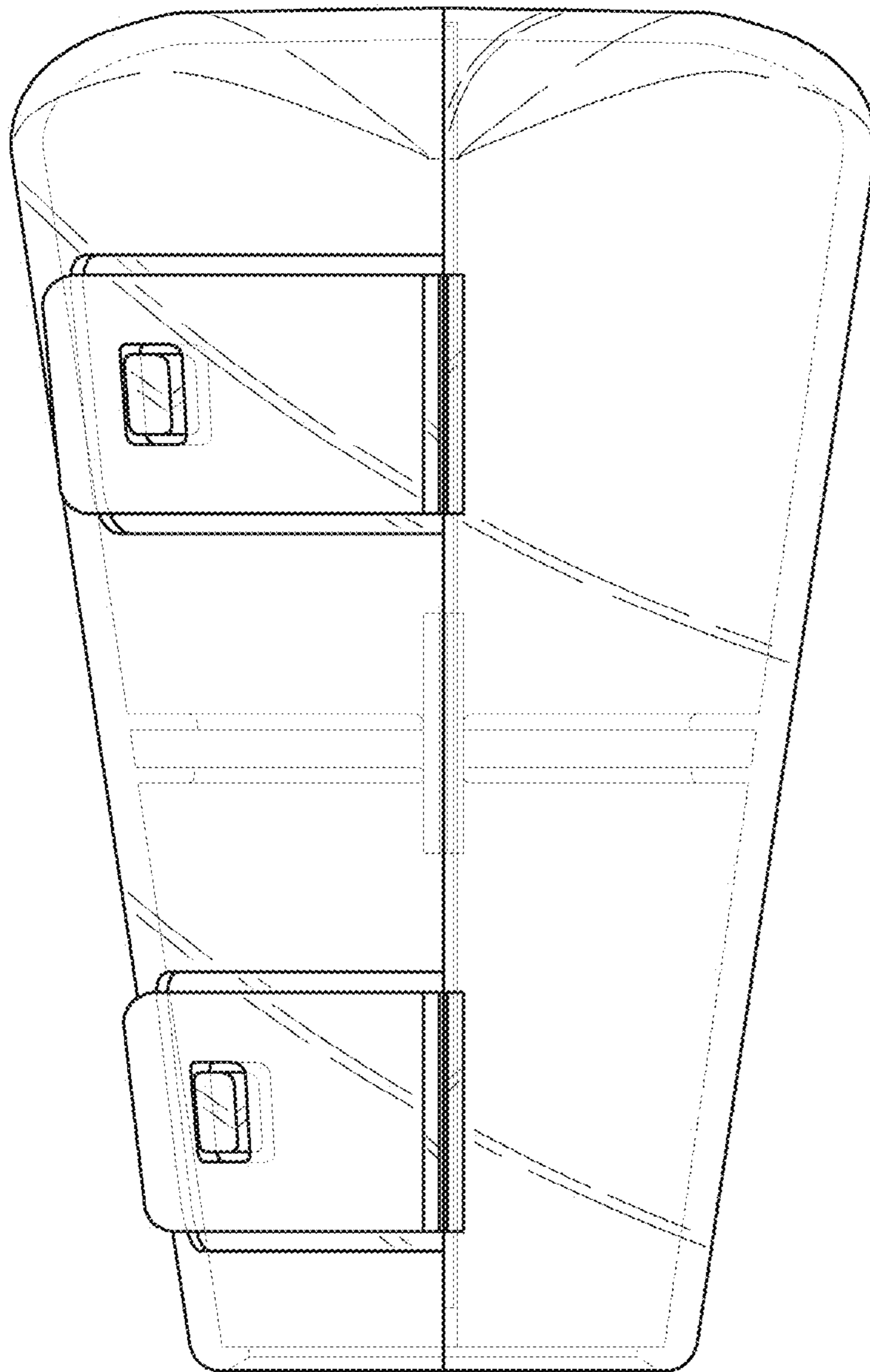


FIG. 5

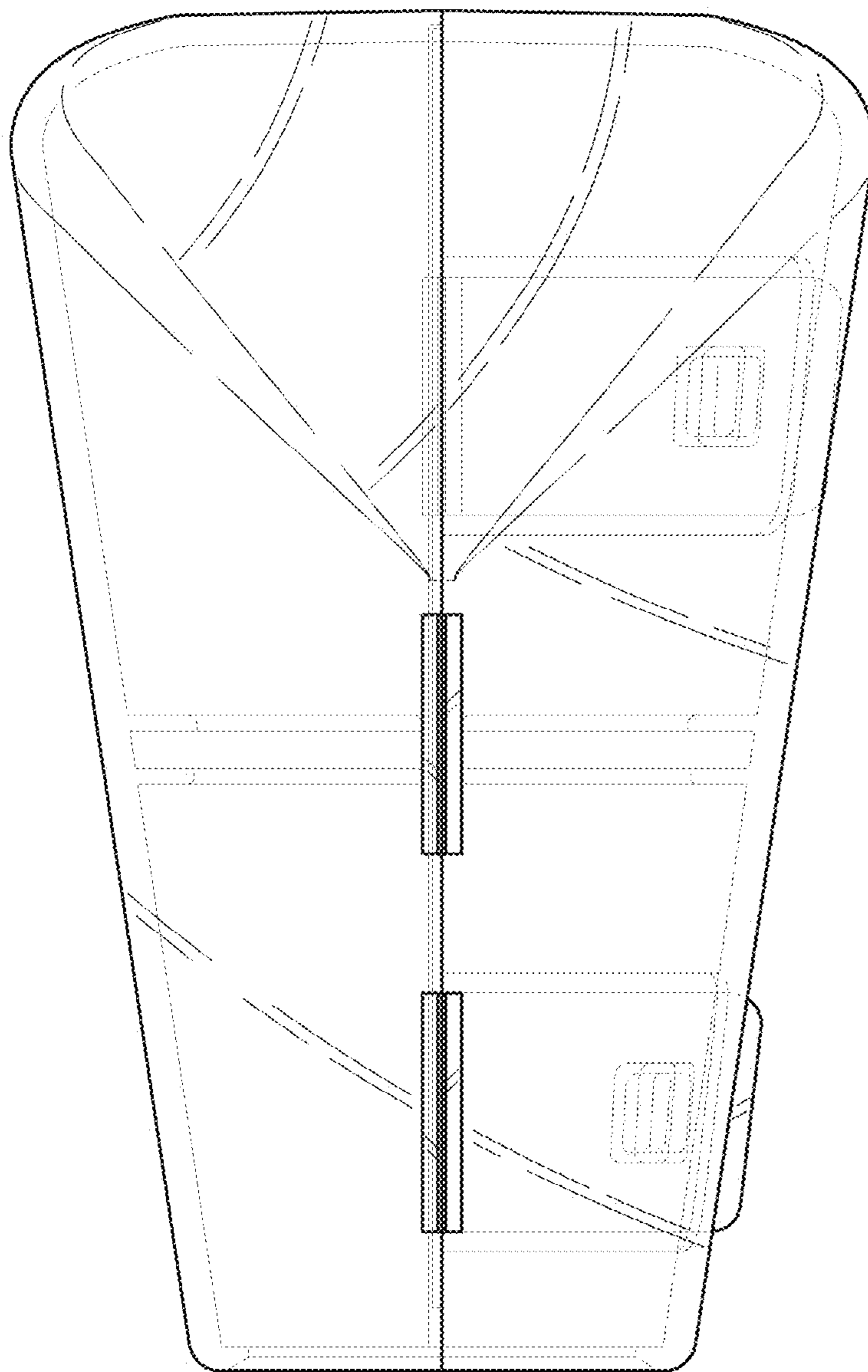


FIG. 6

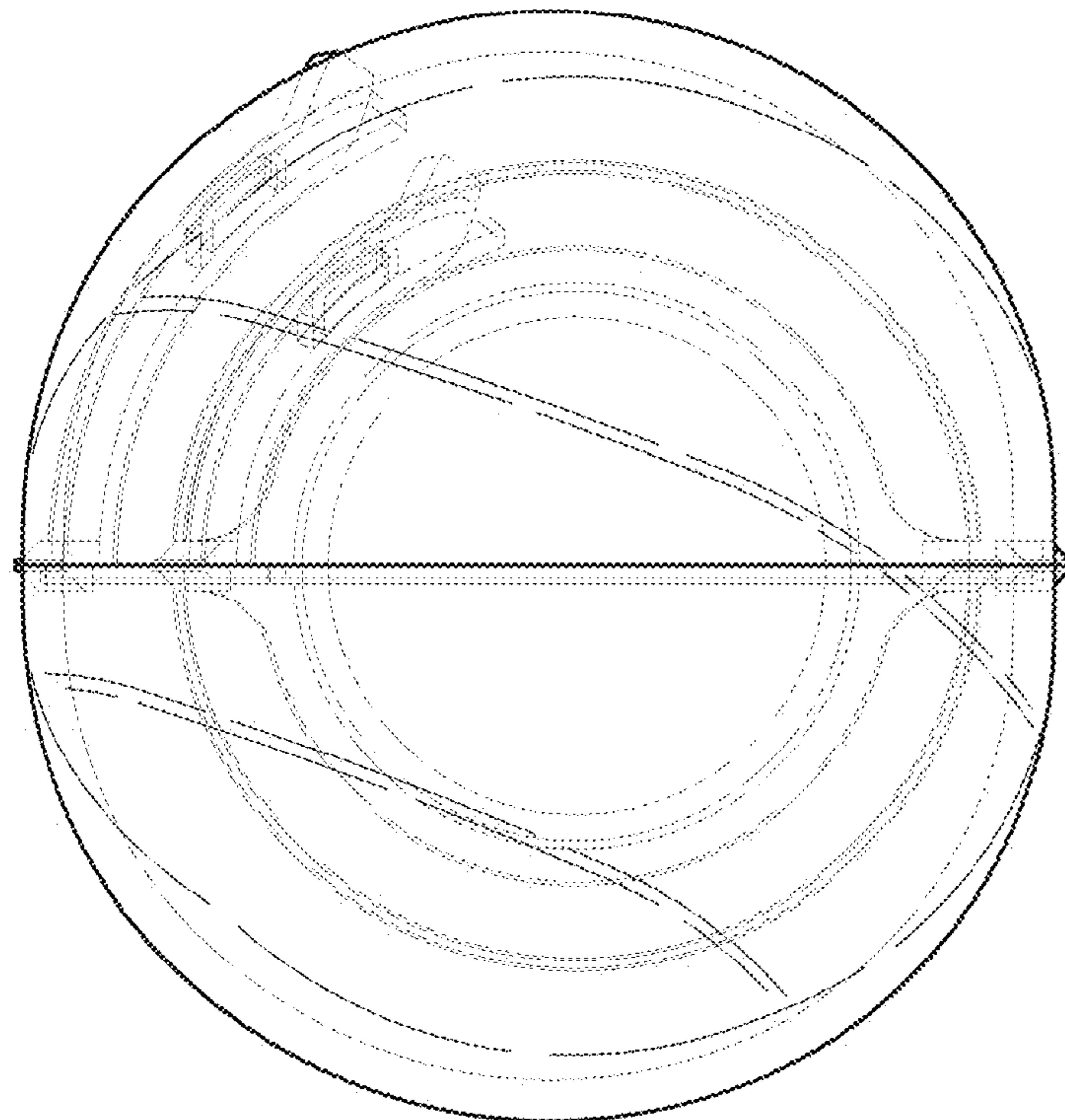


FIG. 7

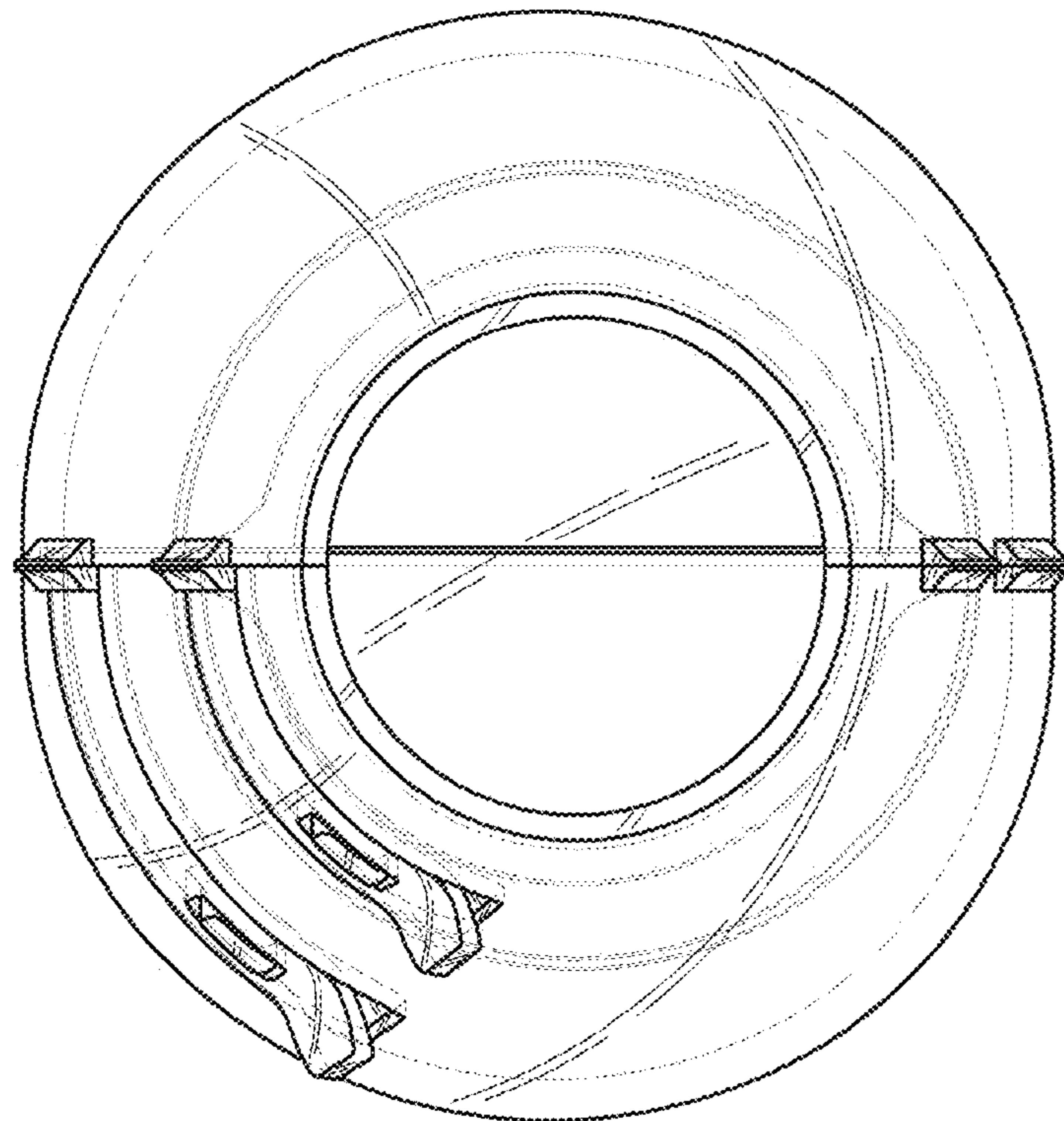


FIG. 8

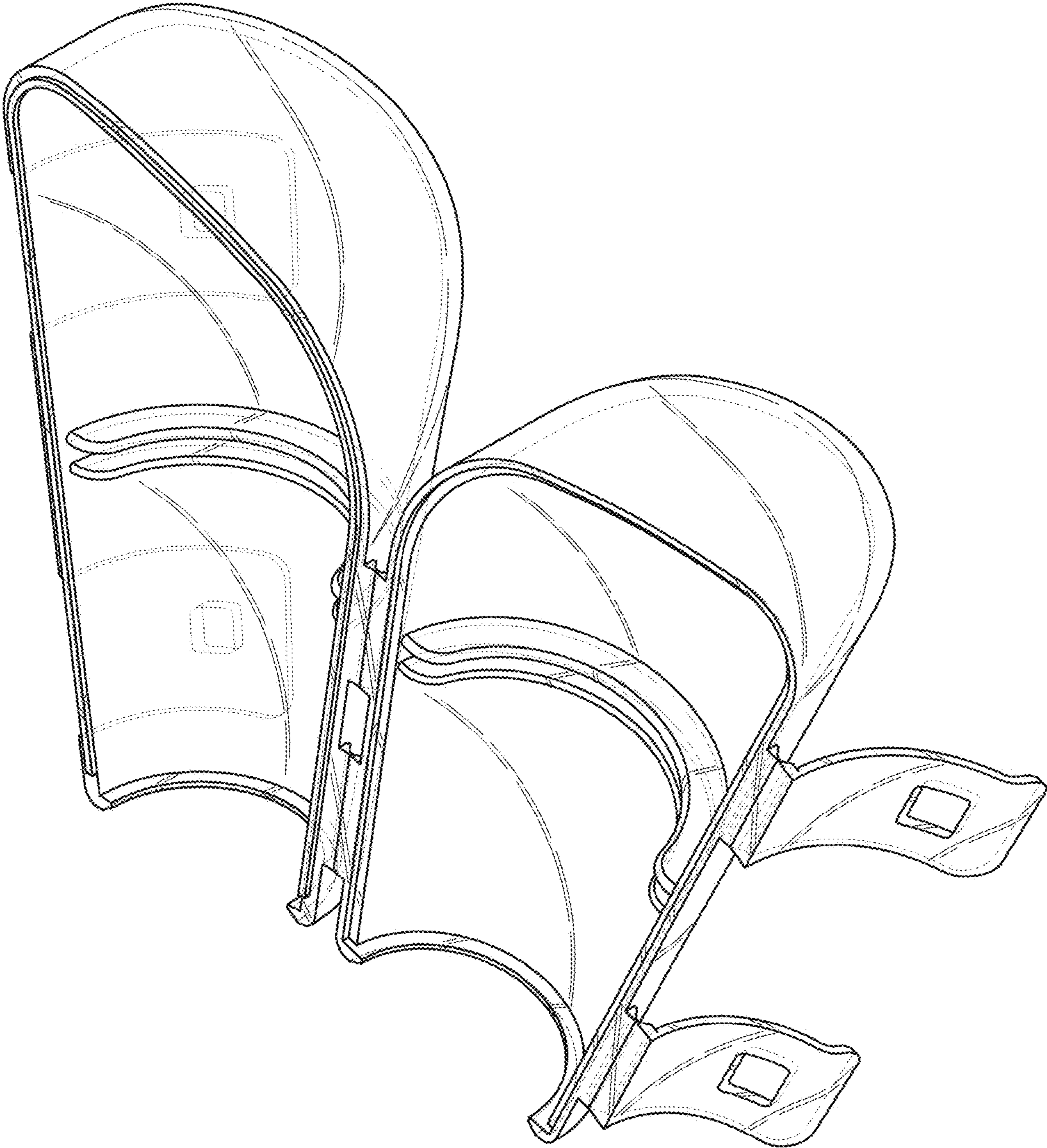


FIG. 9

