



US00D927782S

(12) **United States Design Patent** (10) **Patent No.:** **US D927,782 S**
Mehta (45) **Date of Patent:** **** Aug. 10, 2021**

(54) **GROOMING DEVICE**
(71) Applicant: **JE MATADI, INC.**, Stafford, TX (US)
(72) Inventor: **Pershant Mehta**, Stafford, TX (US)
(73) Assignee: **Je Matadi, Inc.**, Stafford, TX (US)
(**) Term: **15 Years**
(21) Appl. No.: **29/692,727**

(22) Filed: **May 28, 2019**
(51) **LOC (13) Cl.** **28-03**
(52) **U.S. Cl.**
USPC **D28/51**; D28/53
(58) **Field of Classification Search**
USPC D28/49-54; D24/209, 214
CPC B26B 19/00-08; B26B 19/10-12; B26B
19/20-24; B26B 19/26-265; B26B
19/38-3826; B26B 19/3873-3893; B26B
19/42
See application file for complete search history.

(56) **References Cited**

U.S. PATENT DOCUMENTS

5,003,966	A	4/1991	Saka et al.	
6,023,639	A	2/2000	Hakky et al.	
6,319,211	B1	11/2001	Ito et al.	
D538,430	S *	3/2007	Ohta	D24/146
7,258,675	B2	8/2007	Nichols	
7,399,297	B2	7/2008	Ikadai et al.	
D621,949	S *	8/2010	Seki	D24/209
D722,197	S *	2/2015	Helmbold	D28/44
D758,663	S *	6/2016	Van Maanen	D28/53
D794,784	S *	8/2017	Bradley	D24/133
D828,925	S *	9/2018	Levi	D24/214
D836,841	S *	12/2018	de Belizal	D28/53
D844,246	S *	3/2019	Yan	D28/54

D854,699	S *	7/2019	Peterson	D24/214
D855,194	S *	7/2019	Kymm	D24/209
D860,470	S *	9/2019	Li	D24/214
D866,861	S *	11/2019	Dawson	D28/53
D870,305	S *	12/2019	Yamazaki	D24/214
D880,710	S *	4/2020	Amoyal	D24/209
D884,203	S *	5/2020	Segev	D24/209
2004/0073144	A1	4/2004	Carava	
2008/0065176	A1	3/2008	Zhang et al.	
2008/0091179	A1	4/2008	Durkin et al.	
2011/0106067	A1	5/2011	Geva et al.	

* cited by examiner

Primary Examiner — Jennifer Rivard
(74) *Attorney, Agent, or Firm* — Craft Chu PLLC;
Andrew W. Chu

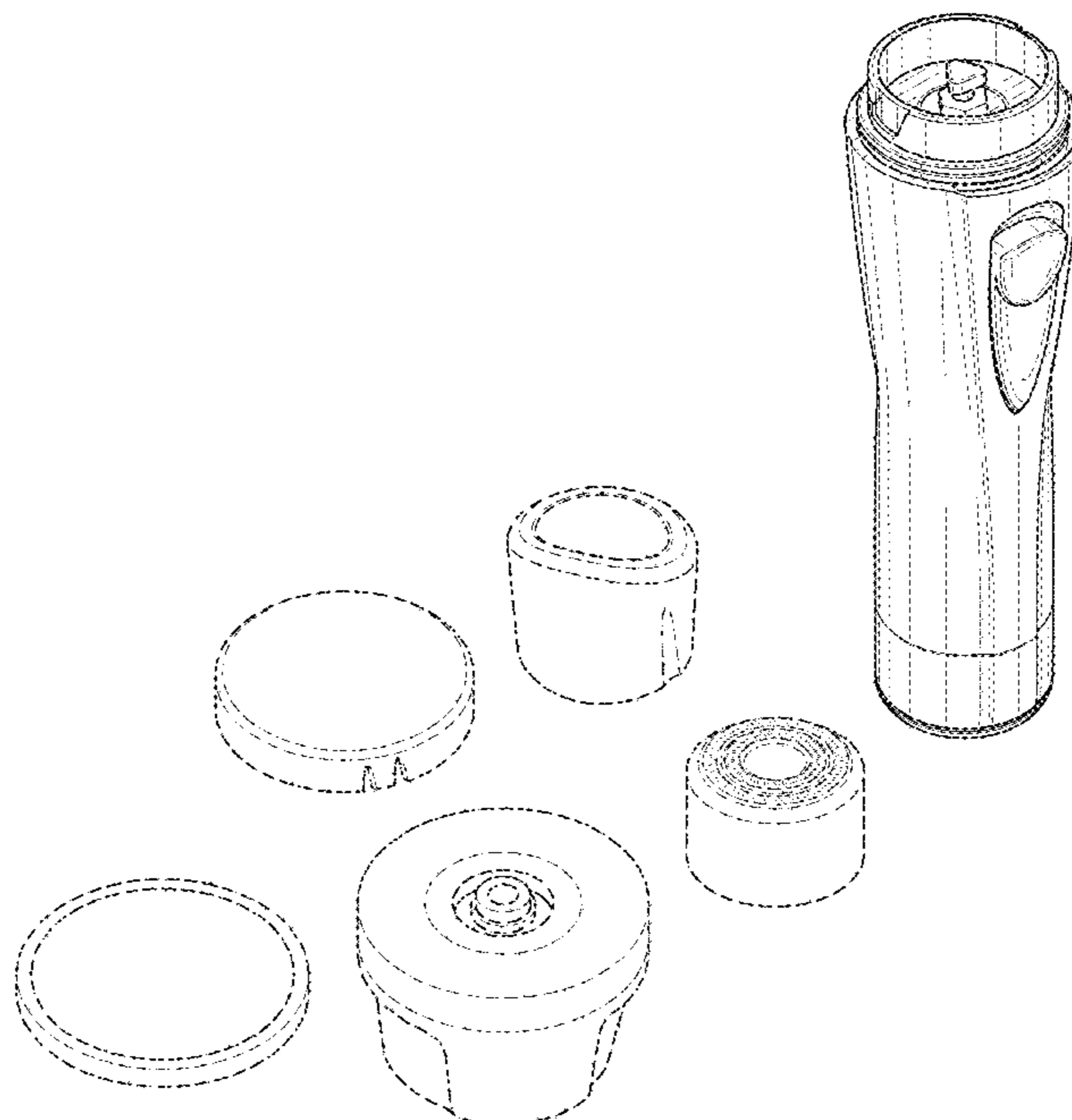
(57) **CLAIM**

The ornamental design for a grooming device, as shown and described.

DESCRIPTION

FIG. 1 is an upper perspective view of the grooming device showing my design;
FIG. 2 is a front elevation view thereof;
FIG. 3 is a side elevation view thereof;
FIG. 4 is a back elevation view thereof;
FIG. 5 is an opposite side elevation view thereof;
FIG. 6 is a top plan view thereof;
FIG. 7 is a bottom plan view;
FIG. 8 is another upper perspective view thereof; and,
FIG. 9 is still another upper perspective view thereof, showing attachment accessories in broken lines, wherein broken lines indicate environment and form no part of the claimed design.
The broken lines illustrate the environment of the grooming device and form no part of the claimed design.

1 Claim, 3 Drawing Sheets



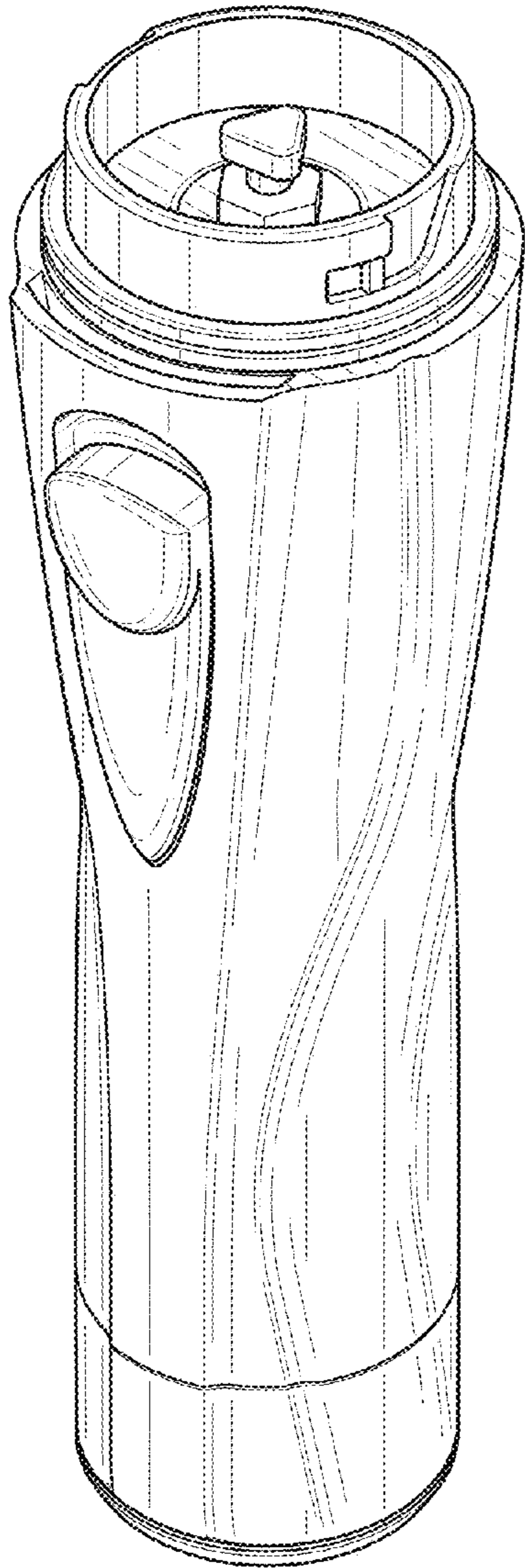


FIG. 1

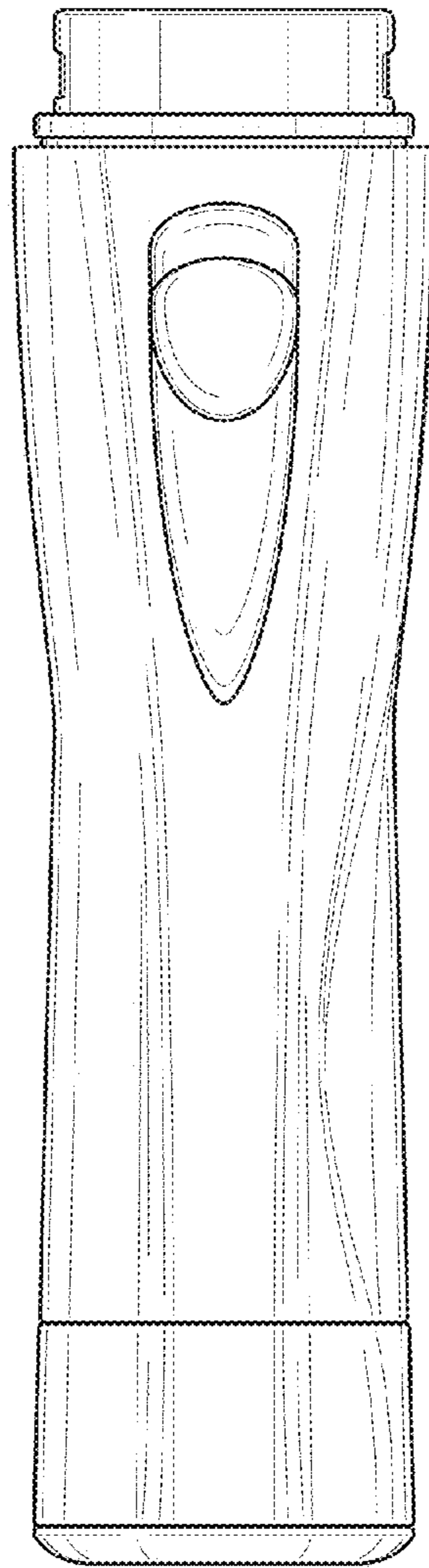


FIG. 2

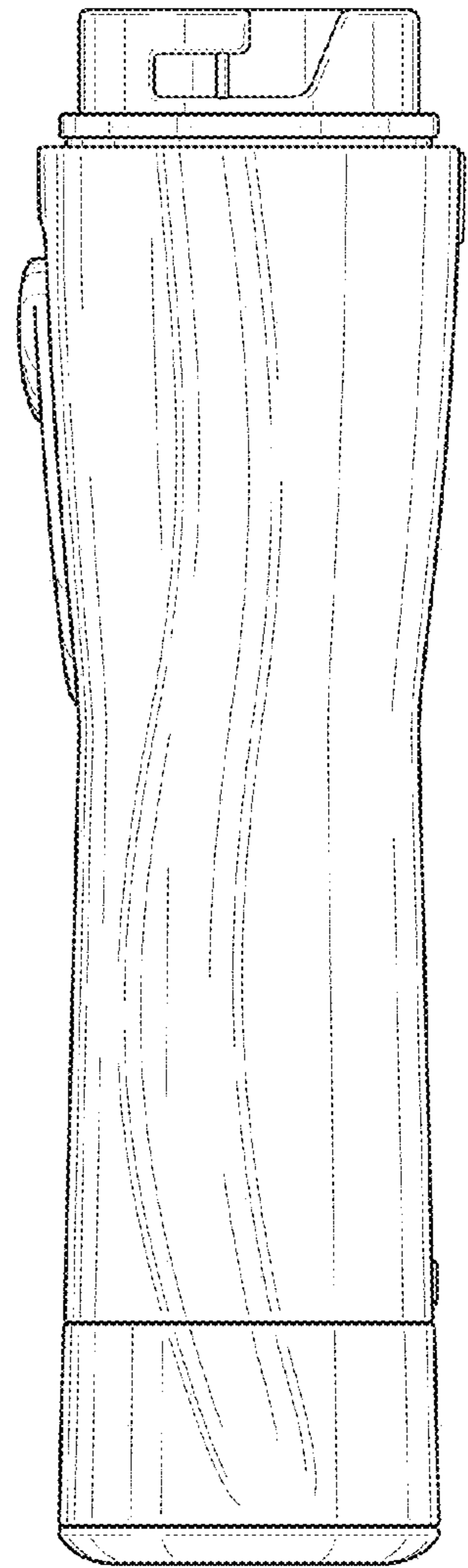


FIG. 3

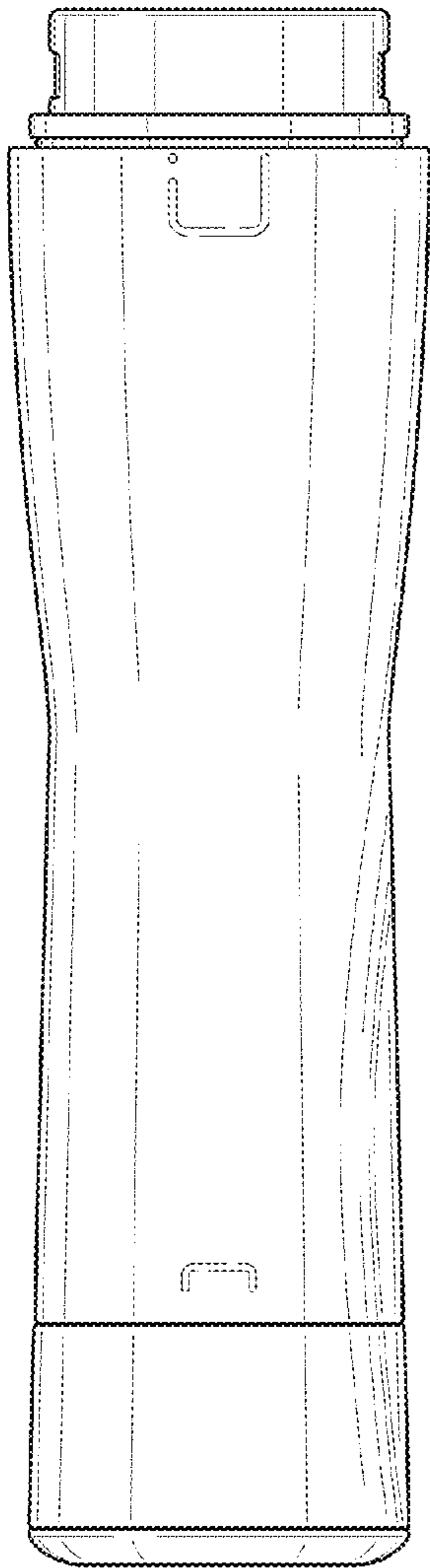


FIG. 4

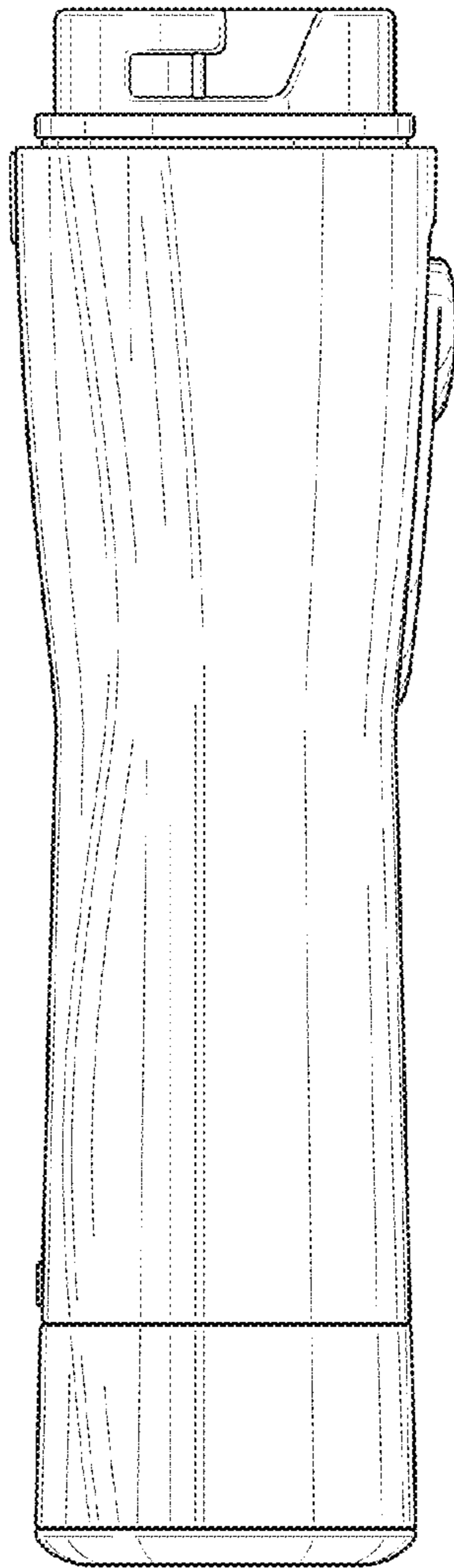


FIG. 5

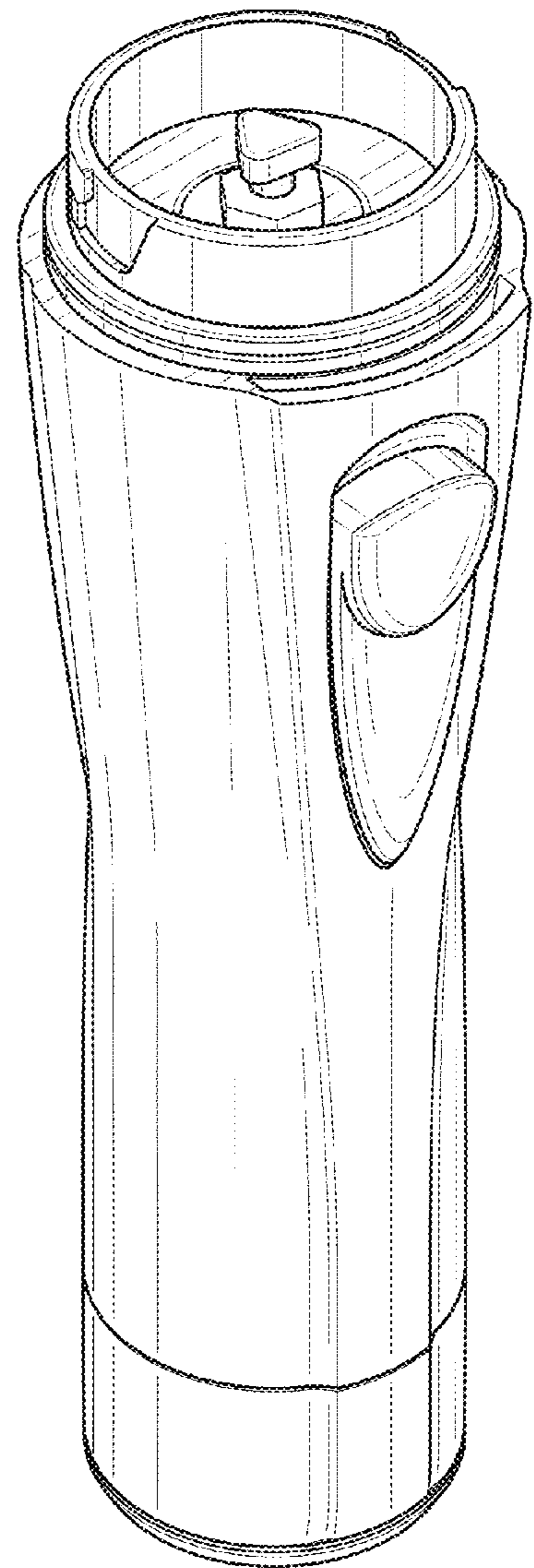


FIG. 8

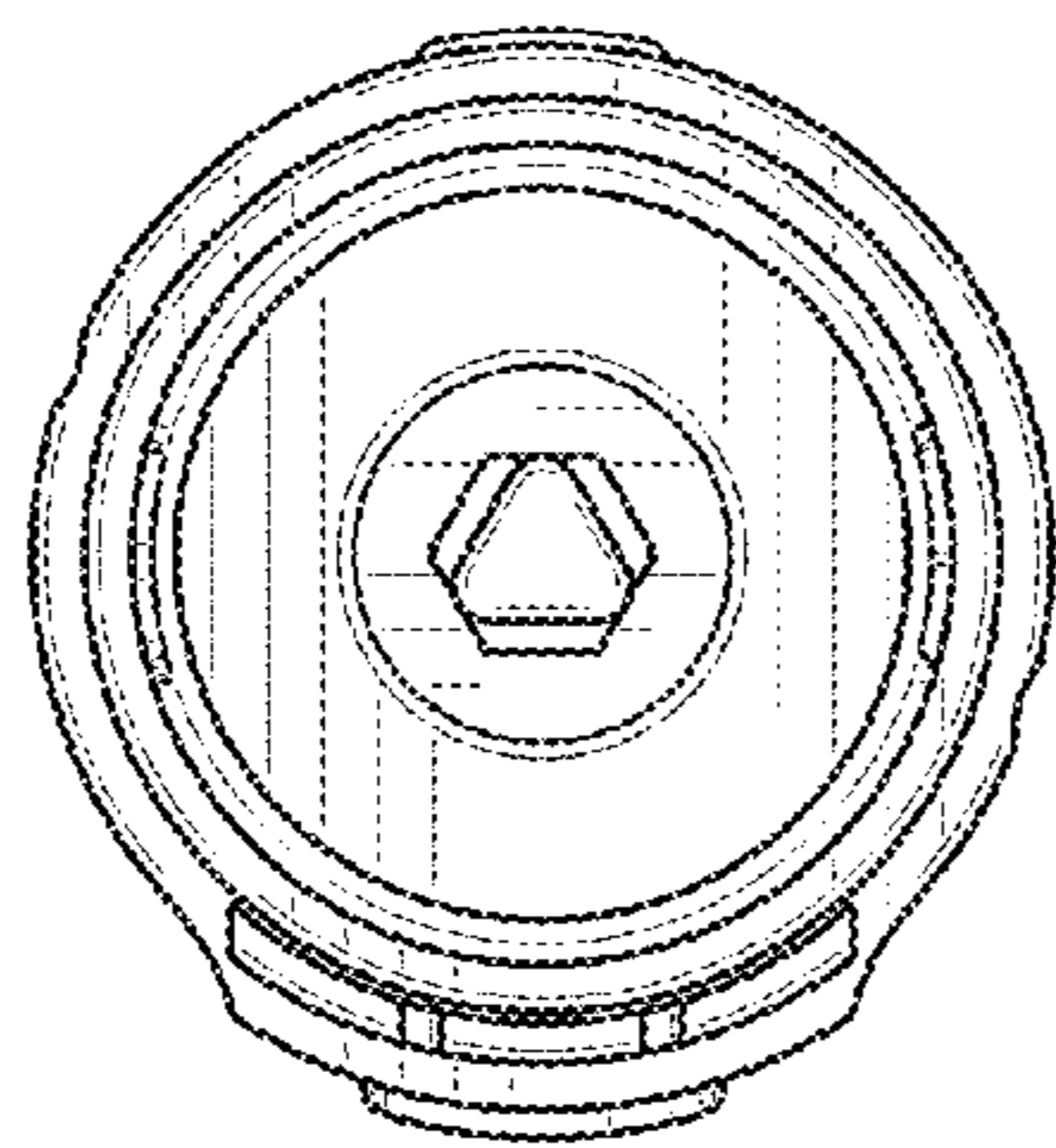


FIG. 6

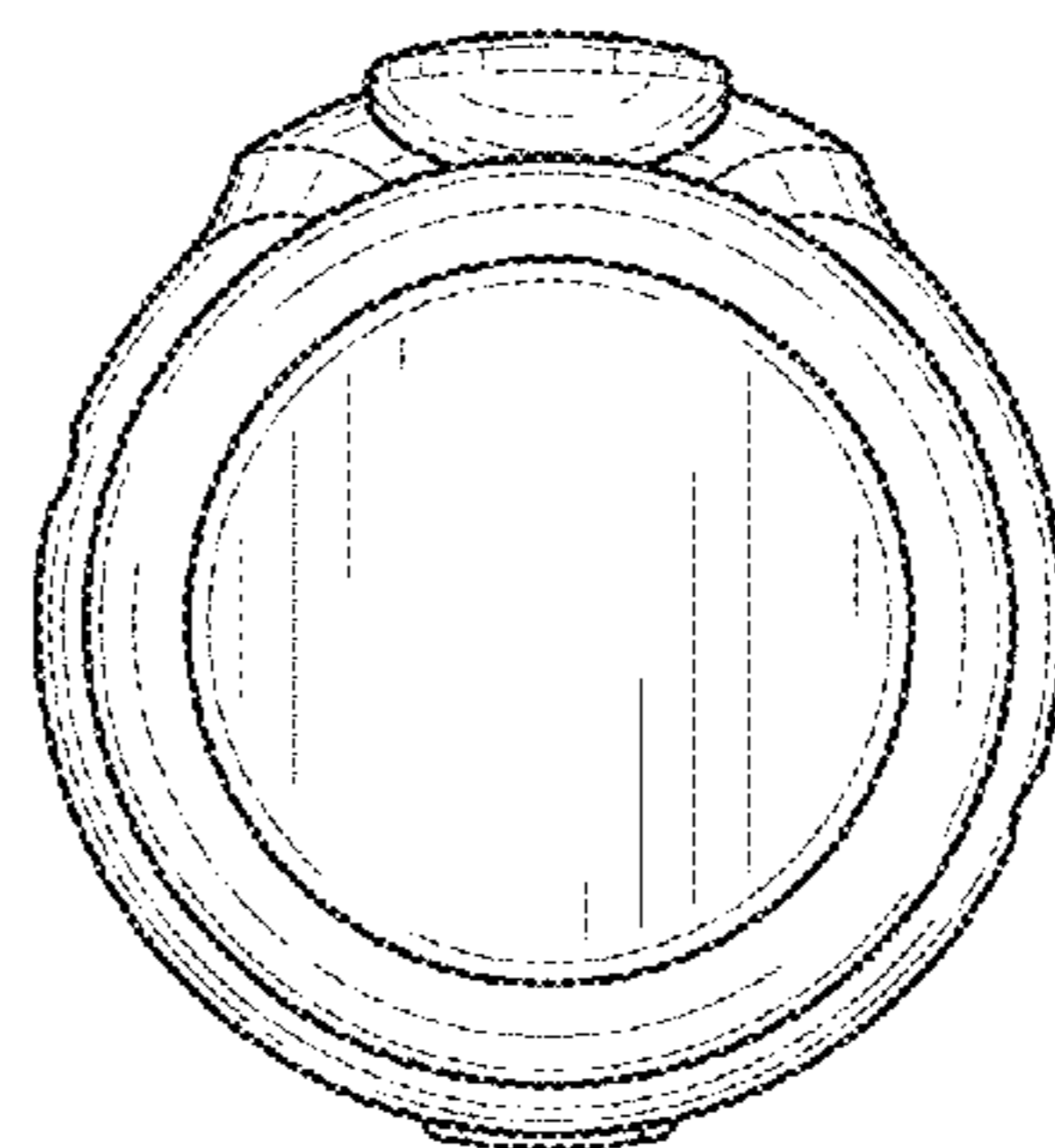


FIG. 7

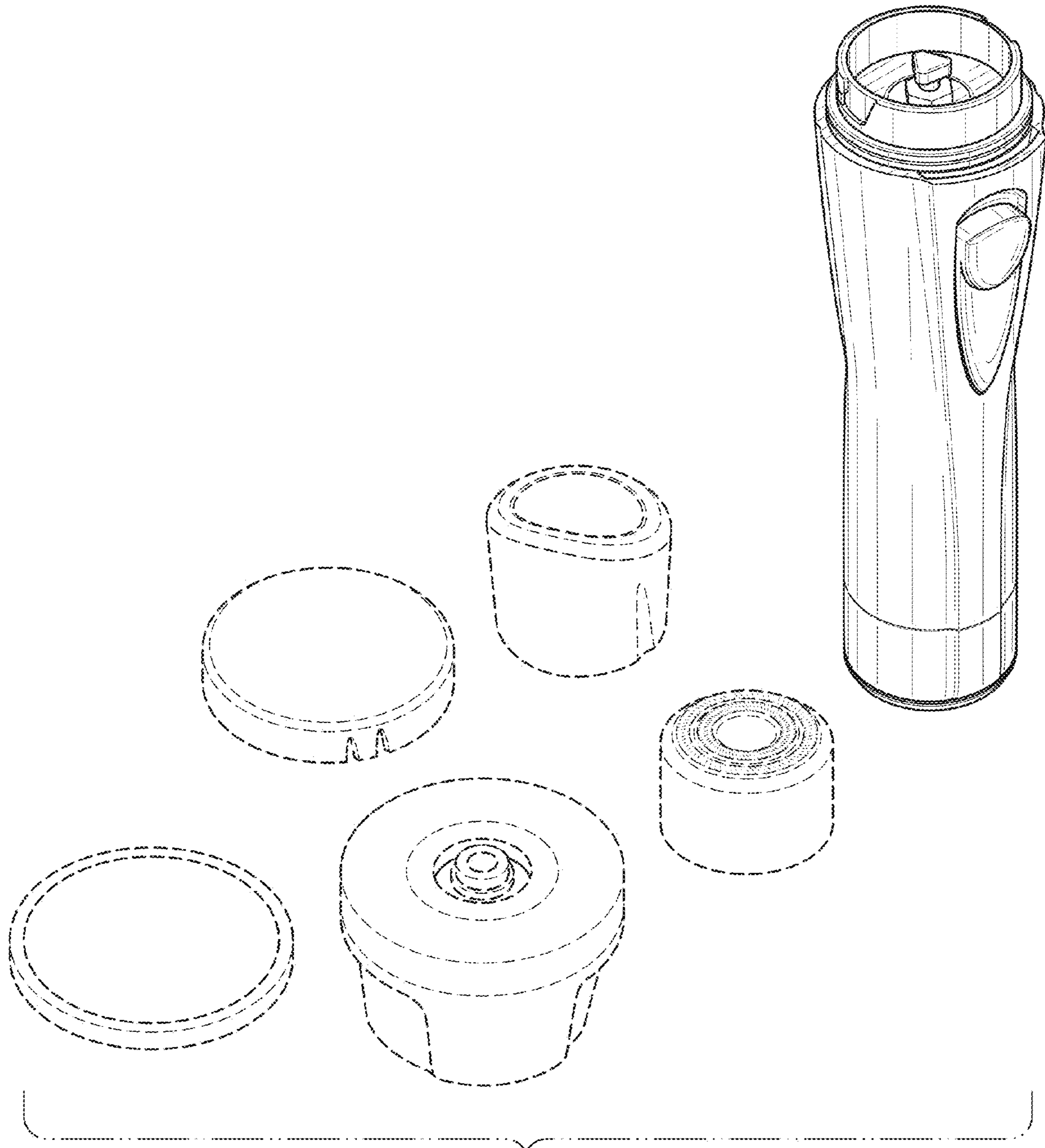


FIG. 9