



US00D927780S

(12) **United States Design Patent**  
**Carlucci**

(10) **Patent No.:** **US D927,780 S**

(45) **Date of Patent:** **\*\* Aug. 10, 2021**

(54) **DUAL NOZZLE ATTACHMENT FOR HAIR DRYER**

(71) Applicant: **CONAIR CORPORATION**, Stamford, CT (US)

(72) Inventor: **Vito James Carlucci**, Stratford, CT (US)

(73) Assignee: **Conair LLC**, Stamford, CT (US)

(\*\*) Term: **15 Years**

(21) Appl. No.: **29/713,013**

(22) Filed: **Nov. 13, 2019**

(51) **LOC (13) Cl.** ..... **28-03**

(52) **U.S. Cl.**  
USPC ..... **D28/18**

(58) **Field of Classification Search**  
USPC ..... D8/29.1; D28/12-19; D23/223, 356, D23/358, 360; D32/17-18, 31-34  
CPC ..... A45D 20/00; A45D 20/10; A45D 20/12; A45D 20/18  
See application file for complete search history.

(56) **References Cited**

U.S. PATENT DOCUMENTS

D775,418	S	*	12/2016	Stephens	.....	D28/18
D775,419	S	*	12/2016	Stephens	.....	D28/18
D782,734	S	*	3/2017	Sutter	.....	D28/18
D785,240	S	*	4/2017	Smith	.....	D28/18
D785,241	S	*	4/2017	Stephens	.....	D28/18
D798,502	S	*	9/2017	Smith	.....	D28/18
D811,009	S	*	2/2018	Smith	.....	D28/18
D833,069	S	*	11/2018	Broides	.....	D28/18
D869,763	S	*	12/2019	Atkinson	.....	D28/19
D872,935	S	*	1/2020	Kang	.....	D28/18
2004/0261812	A1	*	12/2004	Csavas	.....	A45D 2/002 132/271
2005/0198854	A1	*	9/2005	Hobe	.....	A45D 20/12 34/96

(Continued)

FOREIGN PATENT DOCUMENTS

EM 007744792-0001 \* 3/2020

OTHER PUBLICATIONS

Conair Pro Concentrator Nozzle [online], [site visited Apr. 6, 2021]. Available from internet, URL: <<https://www.amazon.com/Conair-Pro-Concentrator-Nozzle/dp/B0012SC3M2/ref=sr\_1\_73?dchild=1&keywords=hair+dryer+dual+nozzle&qid=1617727232&sr=8-73> (Year: 2016).\*

*Primary Examiner* — Kevin K Rudzinski

*Assistant Examiner* — Xavier Marti-Santos

(74) *Attorney, Agent, or Firm* — Ohlandt, Greeley, Ruggiero & Perle, L.L.P.

(57) **CLAIM**

The ornamental design for a dual nozzle attachment for a hair dryer, as shown and described.

**DESCRIPTION**

FIG. 1 is a top, front perspective view of an ornamental design for a dual nozzle attachment for a hair dryer according to the present invention;

FIG. 2 is bottom, rear perspective view of the dual nozzle attachment for a hair dryer of FIG. 1;

FIG. 3 is bottom, front perspective view of the dual nozzle attachment for a hair dryer of FIG. 1;

FIG. 4 is a bottom plan view of the dual nozzle attachment for a hair dryer of FIG. 1;

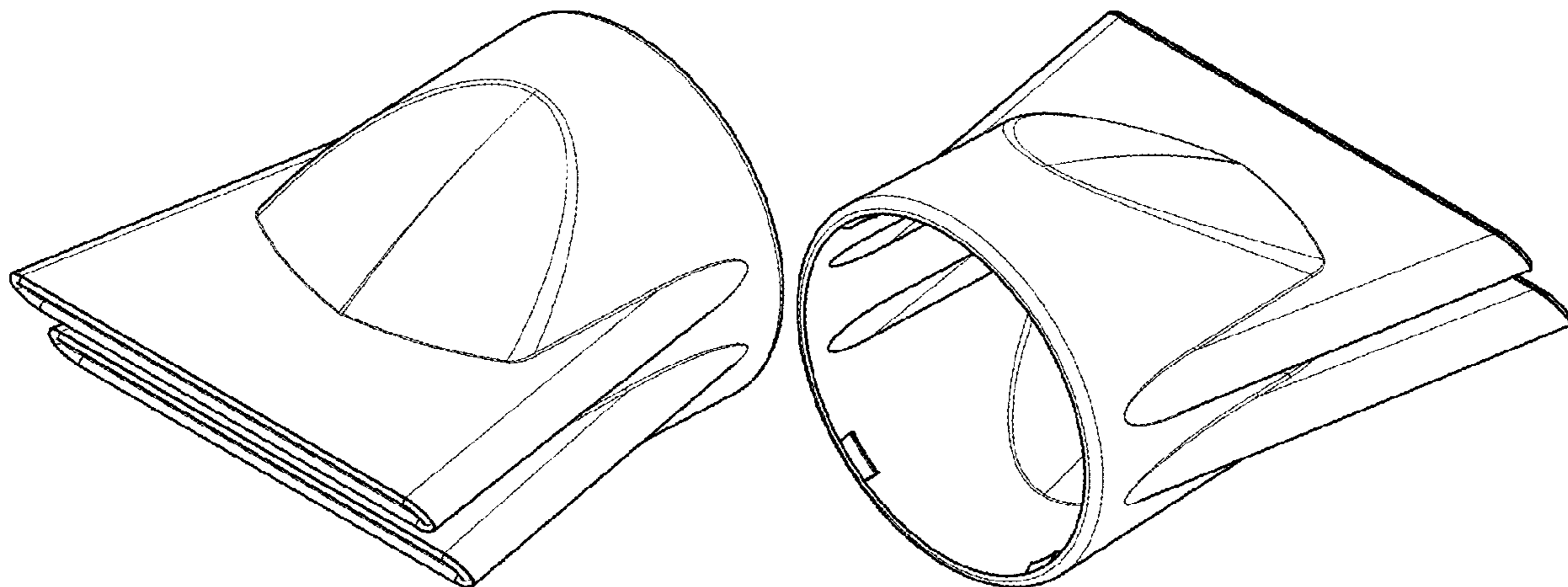
FIG. 5 is a right side elevational view of the dual nozzle attachment for a hair dryer of FIG. 1 (the left side elevational view being a mirror image);

FIG. 6 is a top plan view of the dual nozzle attachment for a hair dryer of FIG. 1;

FIG. 7 is a front elevational view of the dual nozzle attachment for a hair dryer of FIG. 1; and,

FIG. 8 is a rear elevational view of the dual nozzle attachment for a hair dryer of FIG. 1.

**1 Claim, 7 Drawing Sheets**



(56)

**References Cited**

U.S. PATENT DOCUMENTS

2005/0229423 A1\* 10/2005 Keong ..... A45D 20/12  
34/96

\* cited by examiner

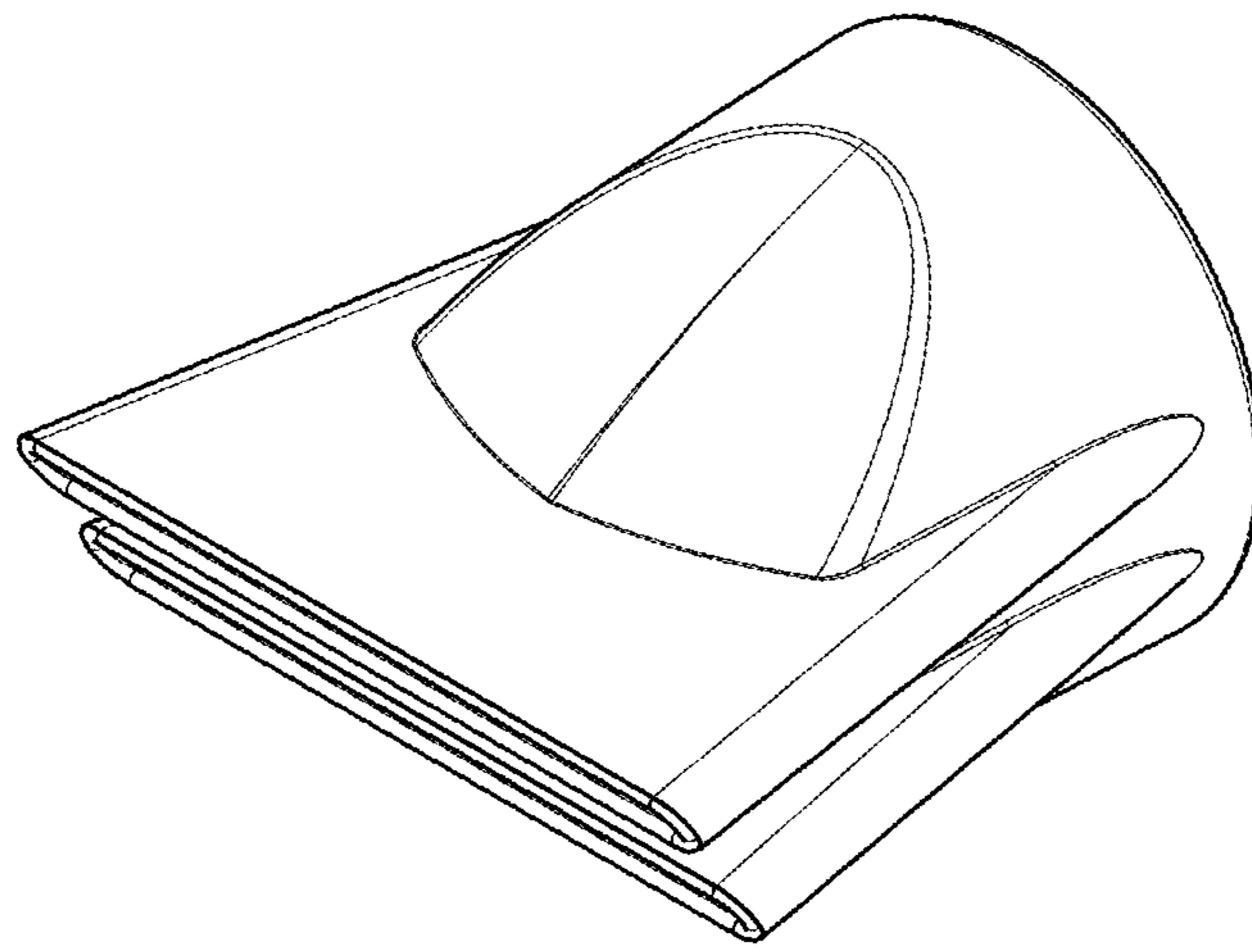


FIG. 1

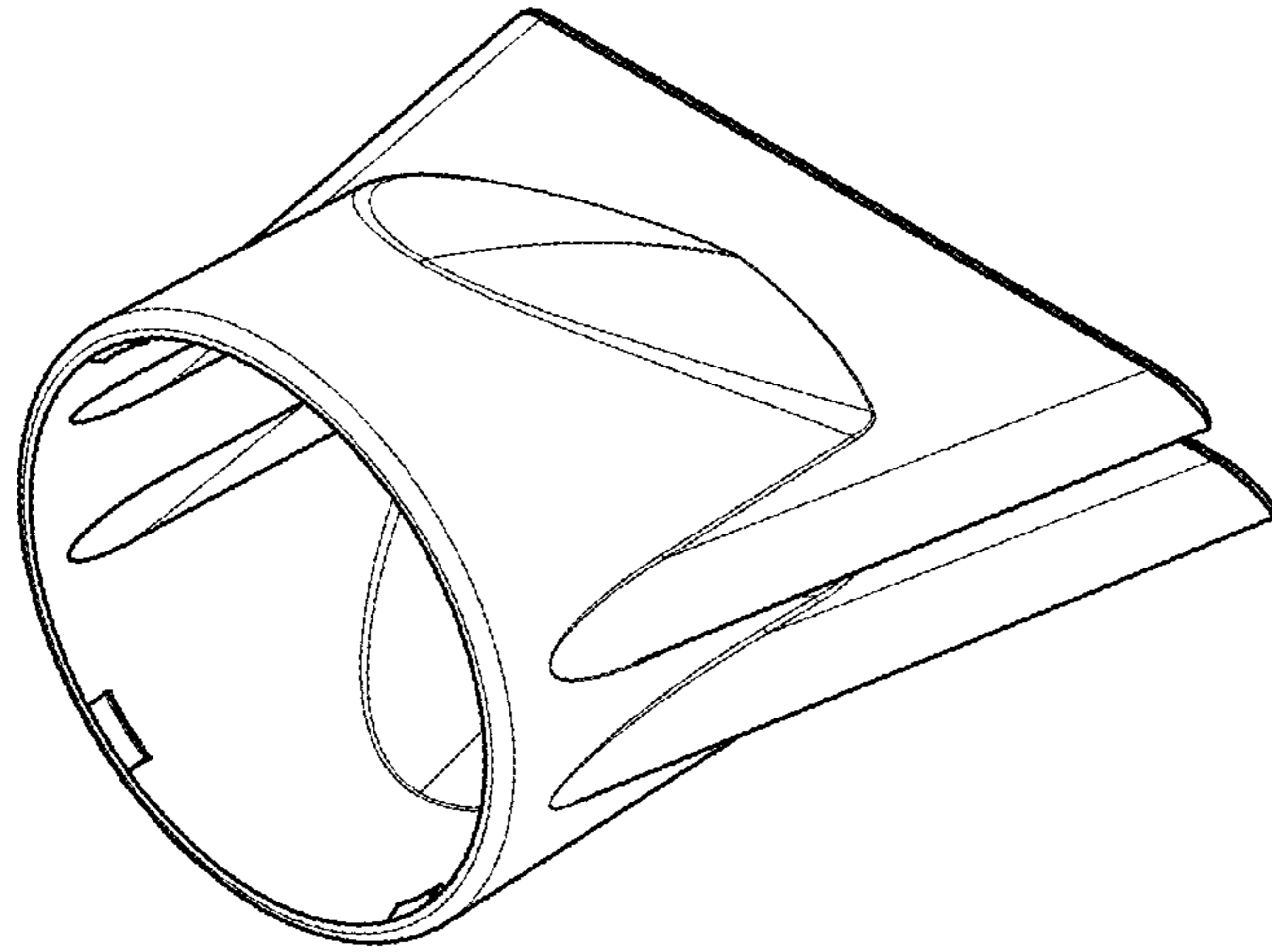


FIG. 2

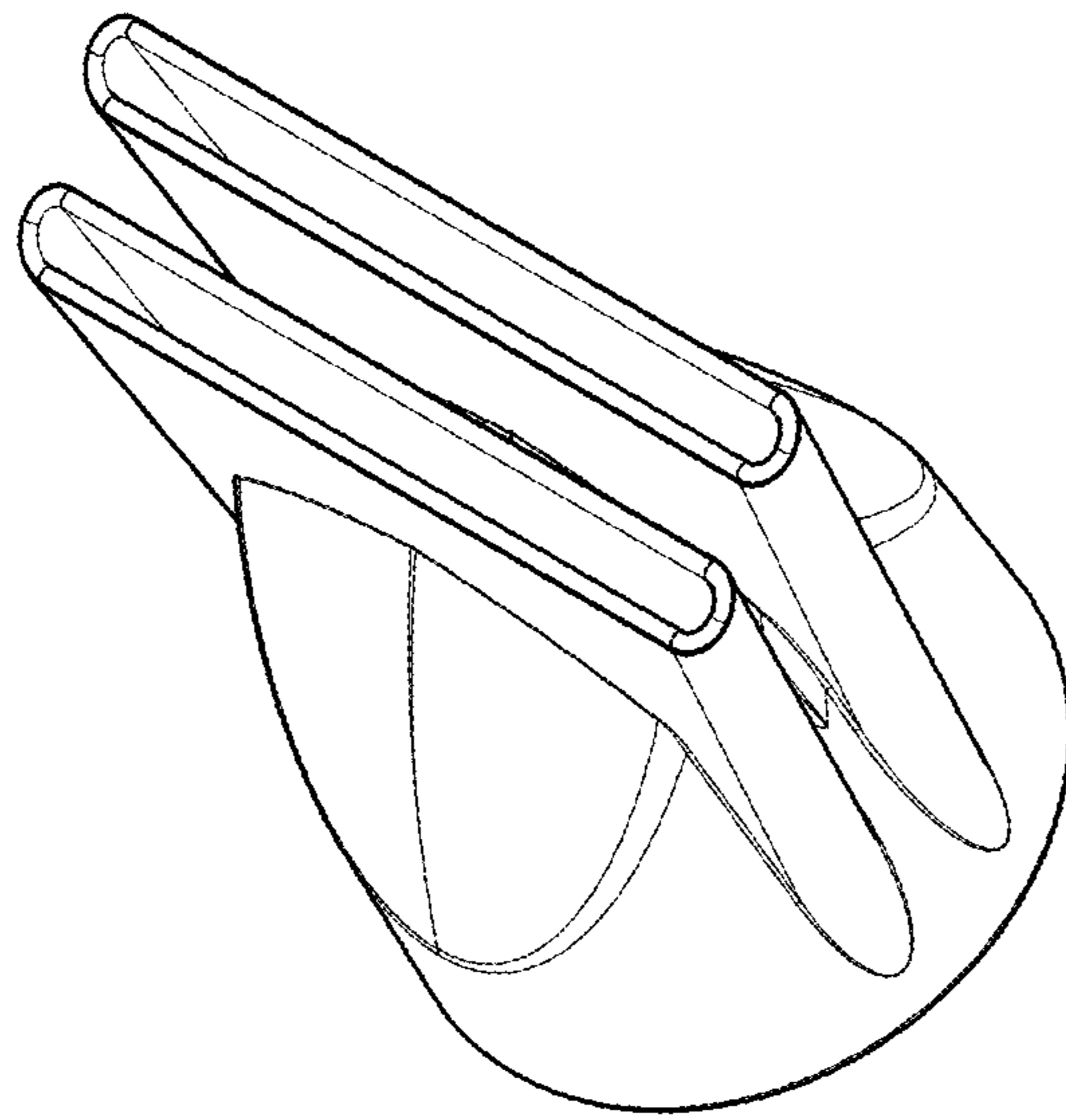


FIG. 3

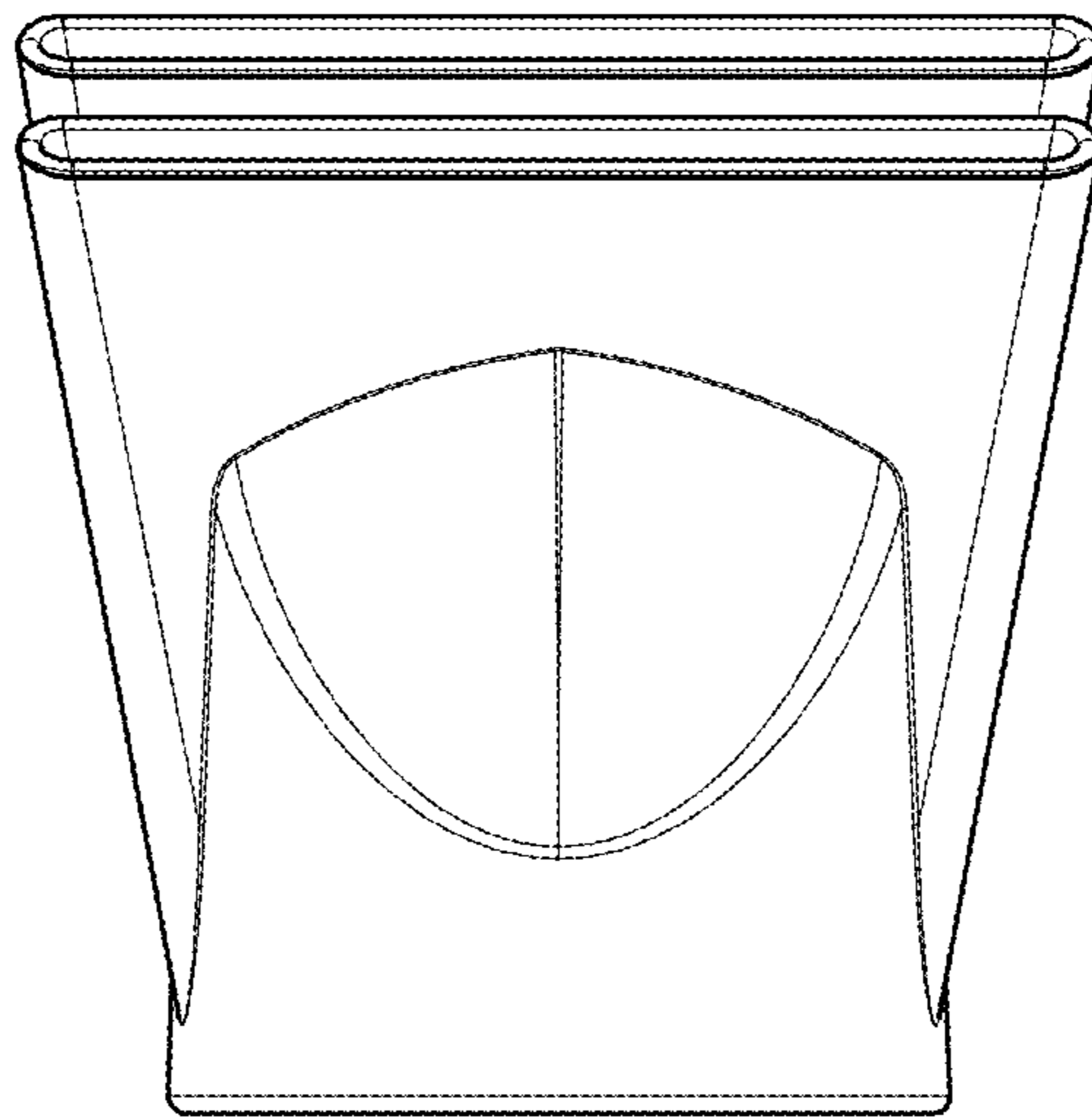


FIG. 4

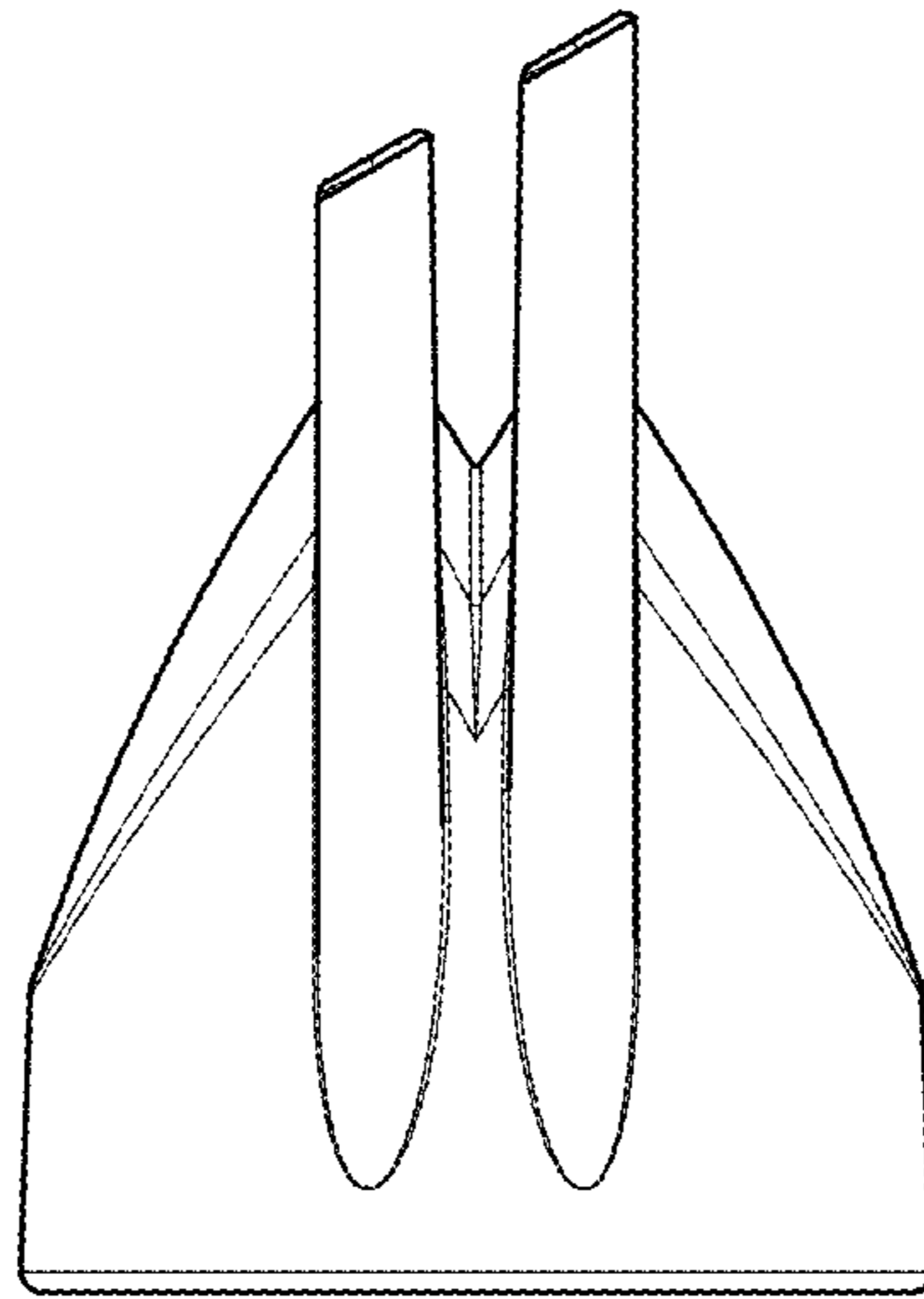


FIG. 5

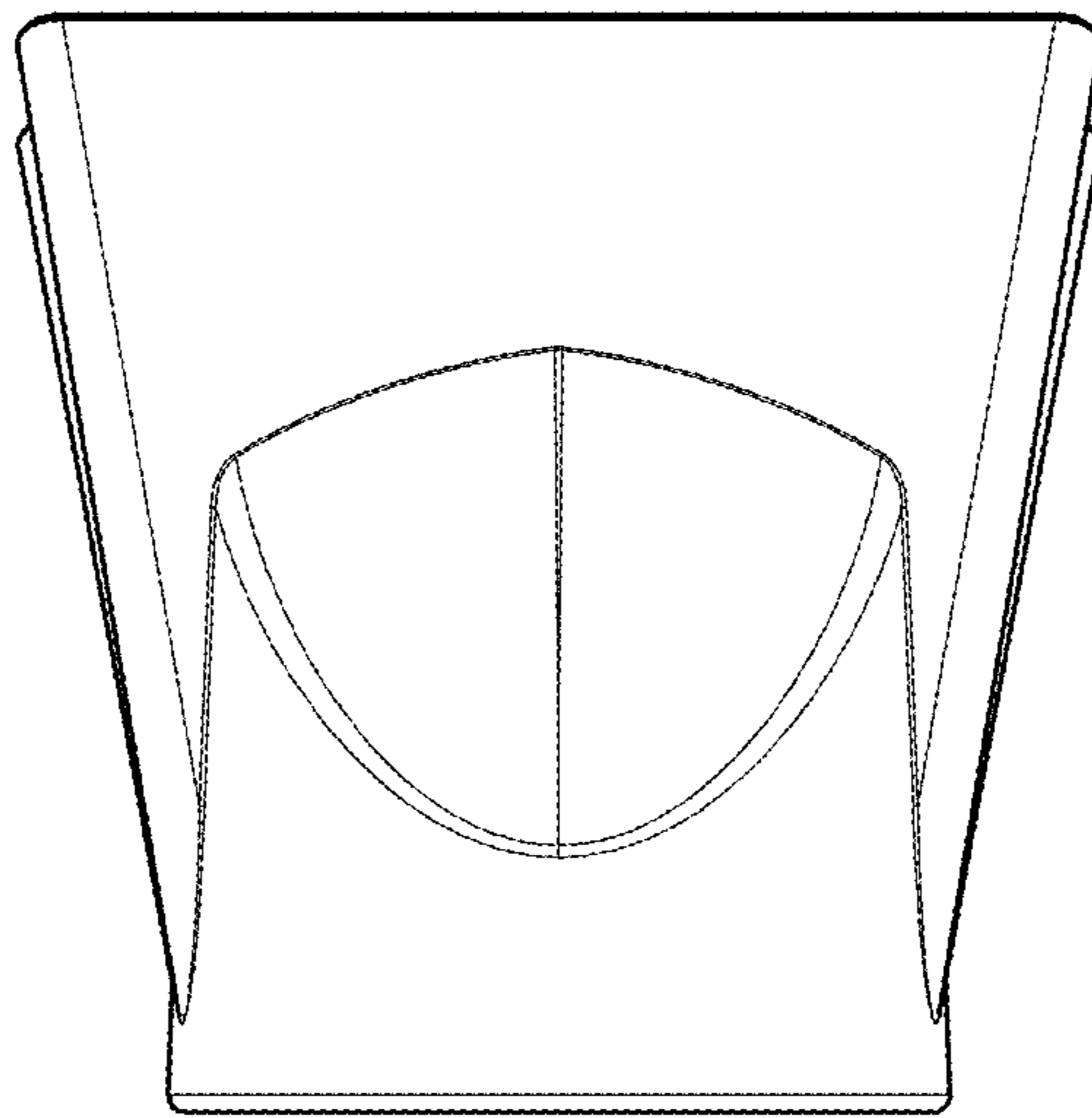


FIG. 6



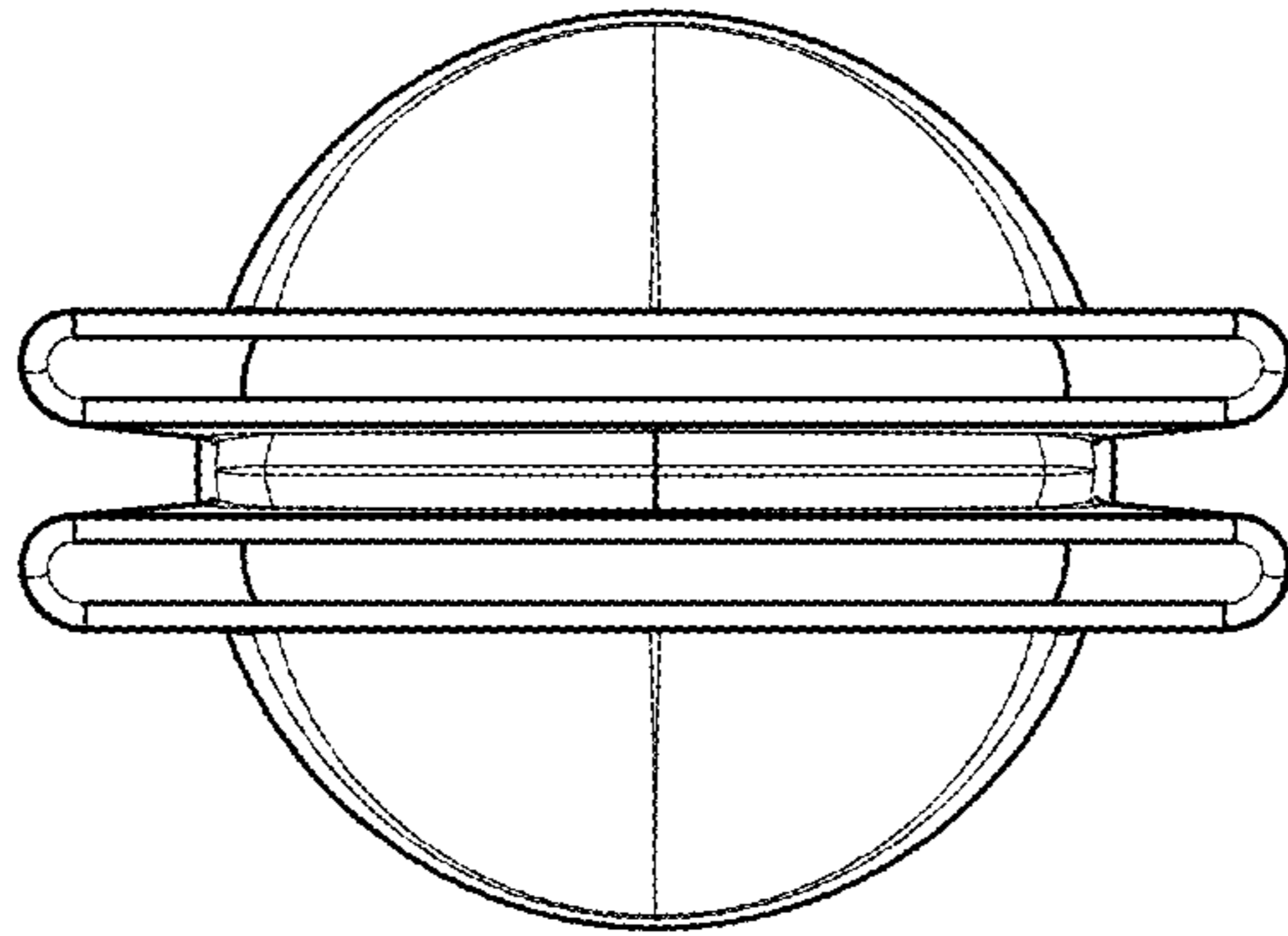


FIG. 7

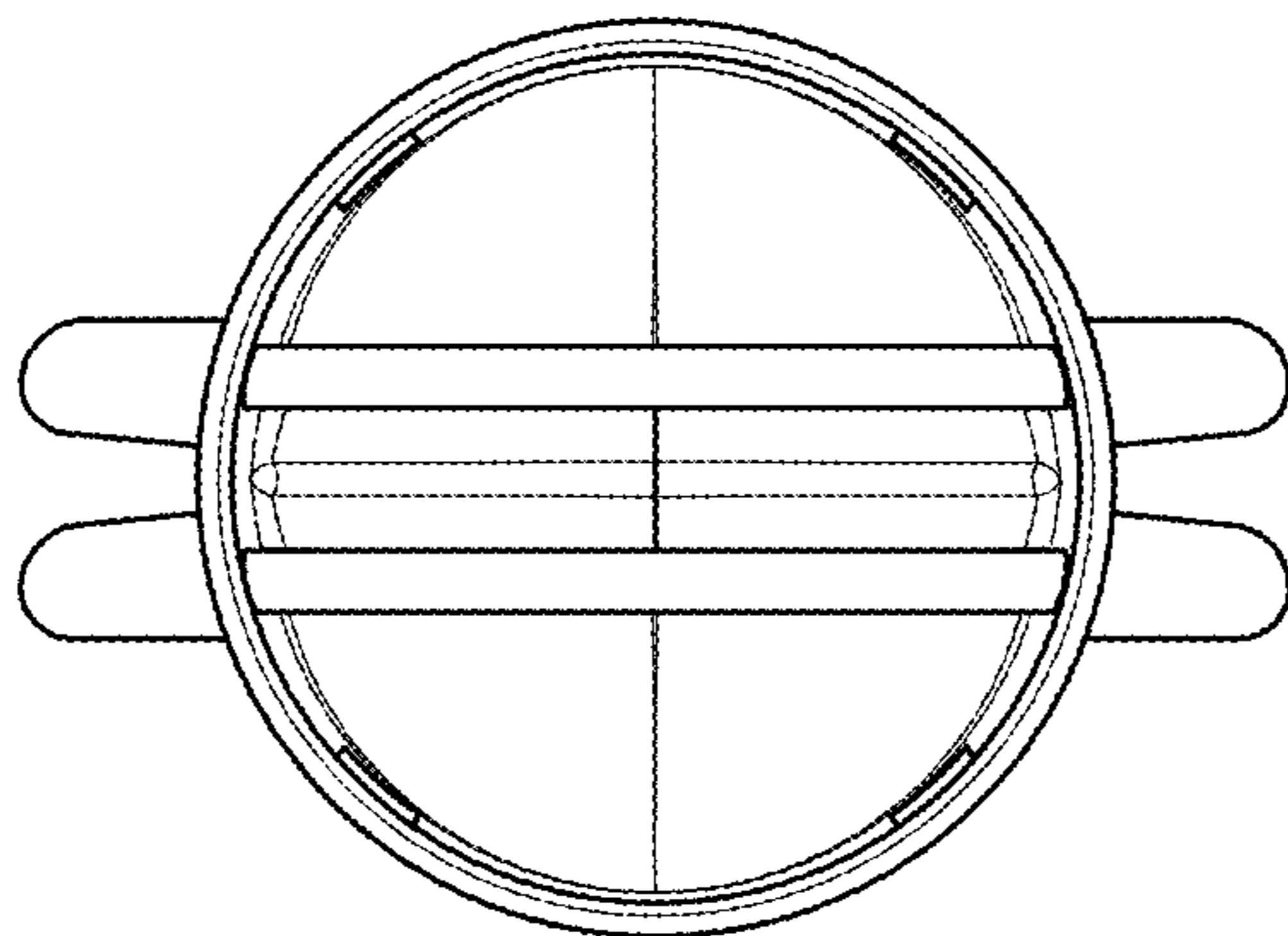


FIG. 8