



US00D927779S

(12) **United States Design Patent**
Shin et al.

(10) **Patent No.:** **US D927,779 S**

(45) **Date of Patent:** **** Aug. 10, 2021**

(54) **HAIR DRIER**

(71) Applicant: **LG ELECTRONICS INC.**, Seoul
(KR)

(72) Inventors: **Daekee Shin**, Seoul (KR); **Sunjung Park**, Seoul (KR); **Hophil Lee**, Seoul (KR)

(73) Assignee: **LG ELECTRONICS INC.**, Seoul (KR)

(**) Term: **15 Years**

(21) Appl. No.: **29/710,639**

(22) Filed: **Oct. 24, 2019**

(30) **Foreign Application Priority Data**

Apr. 25, 2019 (WO) 82962

(51) **LOC (13) Cl.** **28-03**

(52) **U.S. Cl.**
USPC **D28/18**

(58) **Field of Classification Search**
USPC D28/12-19; D8/29.1
CPC A45D 20/00; A45D 20/08; A45D 20/10;
A45D 20/12; A45D 20/122; A45D
20/124; A45D 2020/128
See application file for complete search history.

(56) **References Cited**

U.S. PATENT DOCUMENTS

D265,598 S * 7/1982 Radatz D28/18
D384,772 S * 10/1997 Kling D28/18

D808,587 S * 1/2018 Carello D28/18
D912,315 S * 3/2021 Shin D28/13
D912,316 S * 3/2021 Shin D28/13
D912,318 S * 3/2021 Shin D28/13
D912,894 S * 3/2021 Shin D28/13

* cited by examiner

Primary Examiner — Zenia I Bennett

(74) *Attorney, Agent, or Firm* — Birch, Stewart, Kolasch & Birch LLP

(57) **CLAIM**

The ornamental design for a hair drier, as shown and described.

DESCRIPTION

FIG. 1 is a front perspective view of the hair drier showing our new design;
FIG. 2 is a front view thereof;
FIG. 3 is a back view thereof;
FIG. 4 is a left view thereof where the right view is a mirror image;
FIG. 5 is a top view thereof;
FIG. 6 is a bottom view thereof; and,
FIG. 7 is a back perspective view thereof.
The broken lines depict portions of the hair drier that form no part of the claimed design. The dash-dot broken lines define the bounds of the claimed design and form no part thereof.

1 Claim, 7 Drawing Sheets

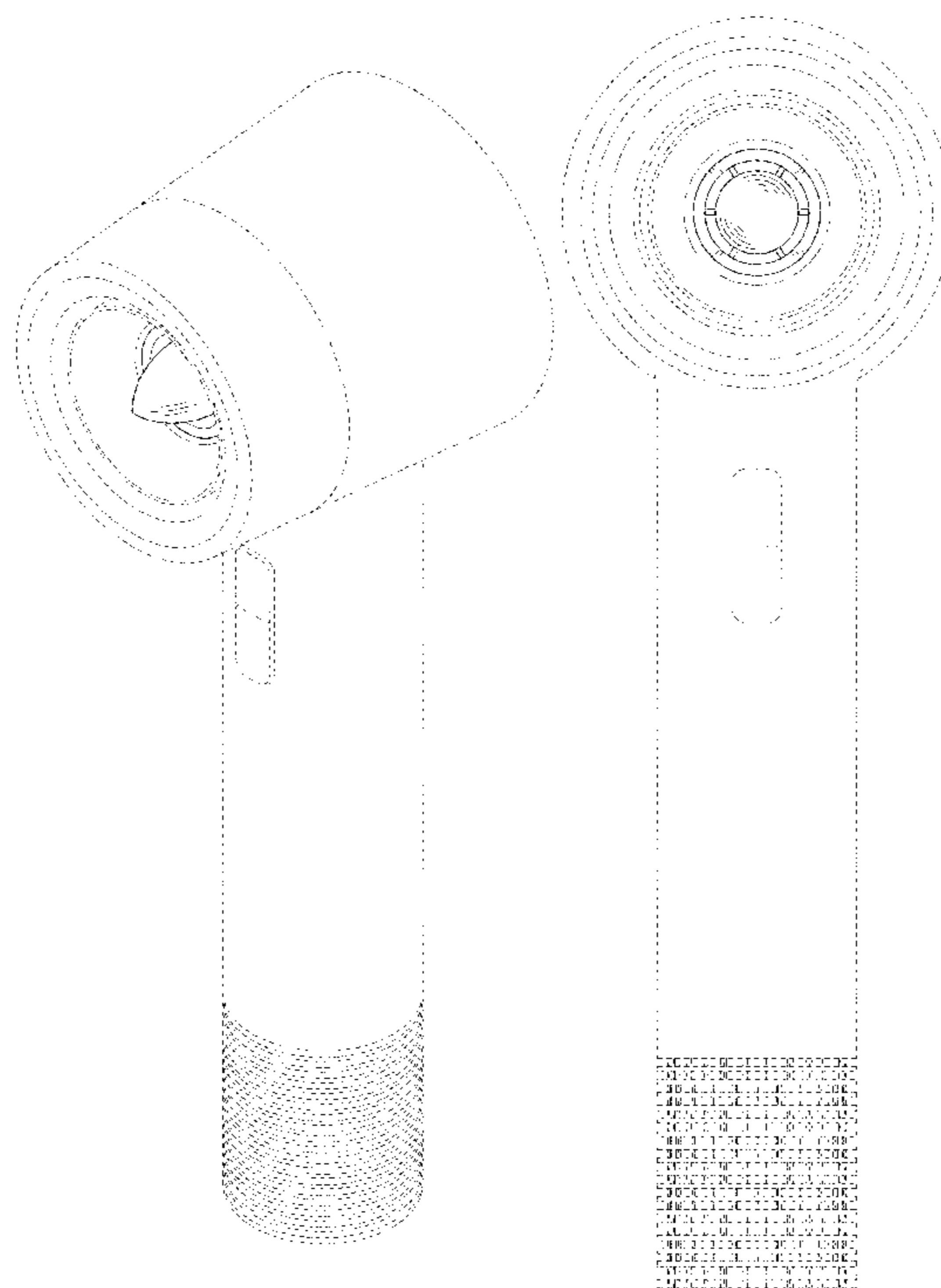


FIG. 1

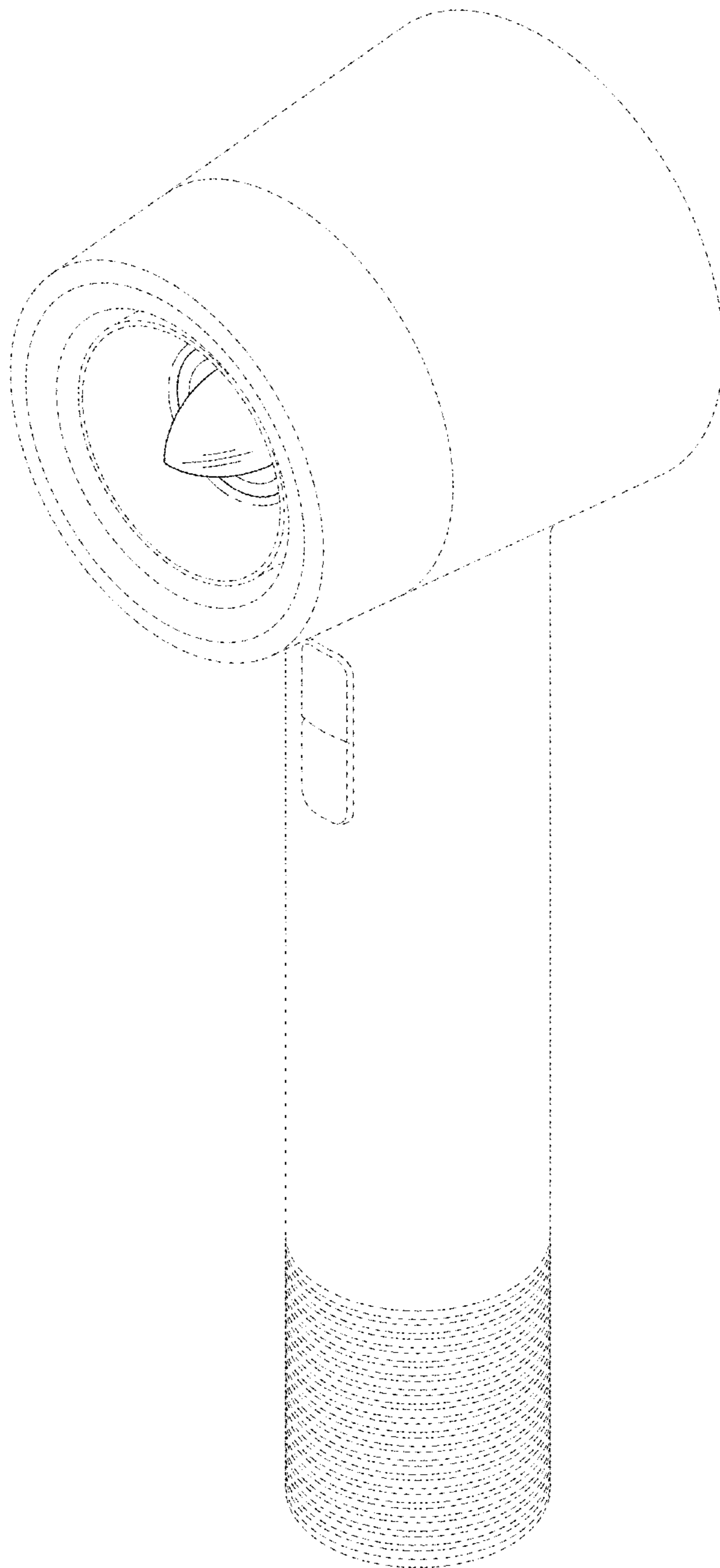


FIG. 2

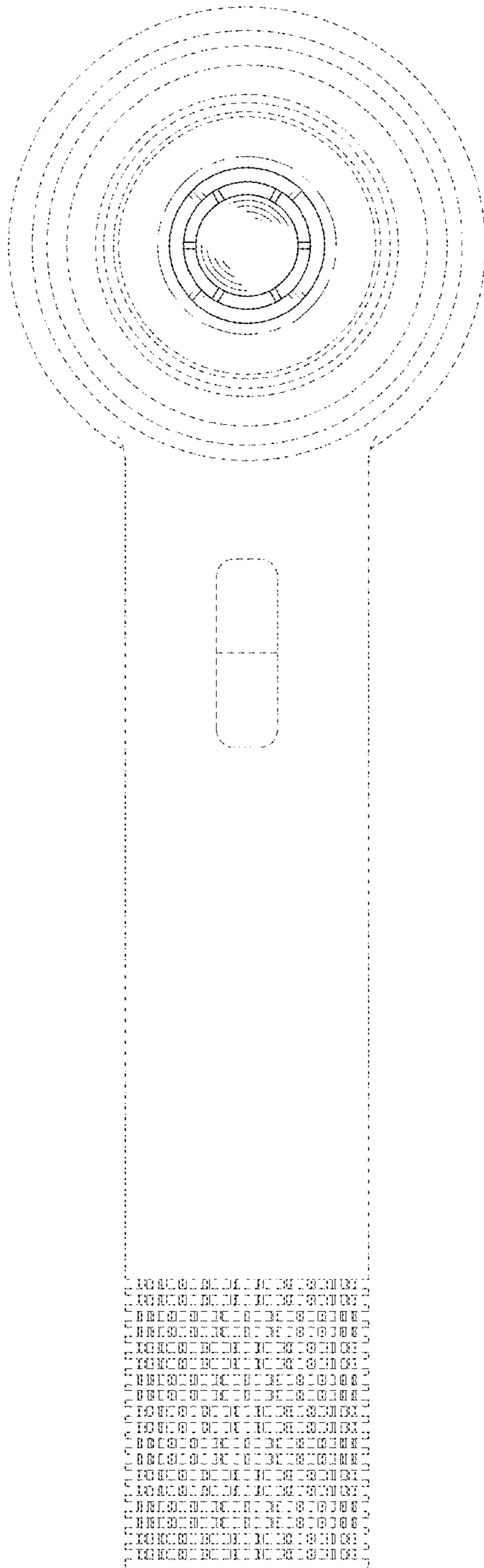


FIG. 3

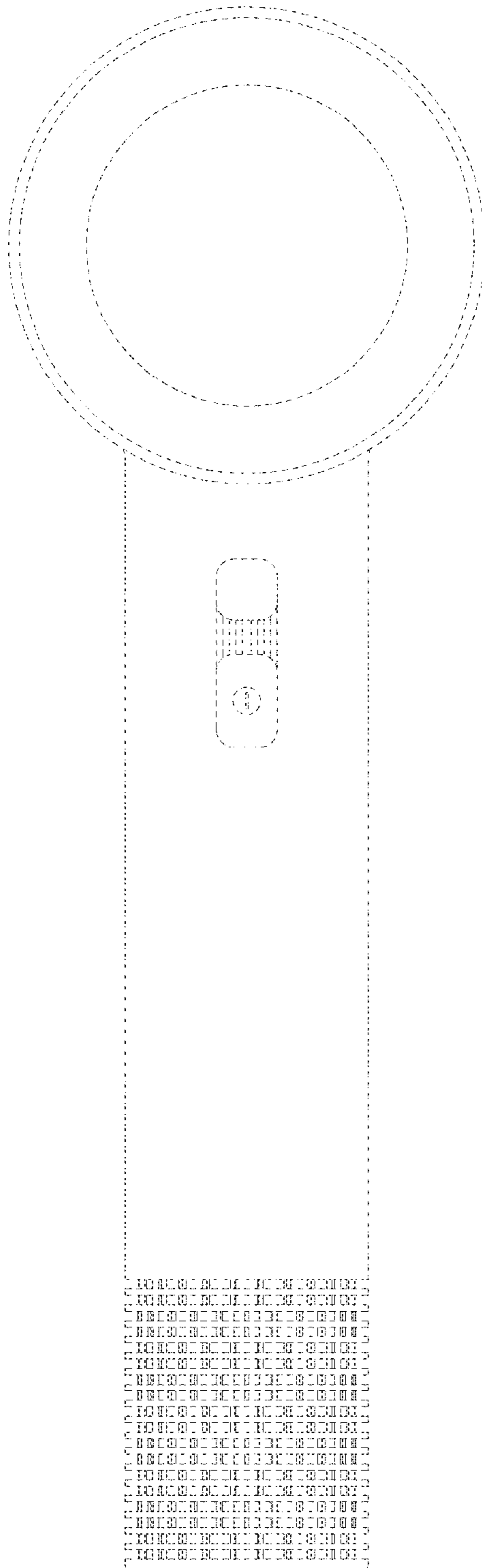


FIG. 4

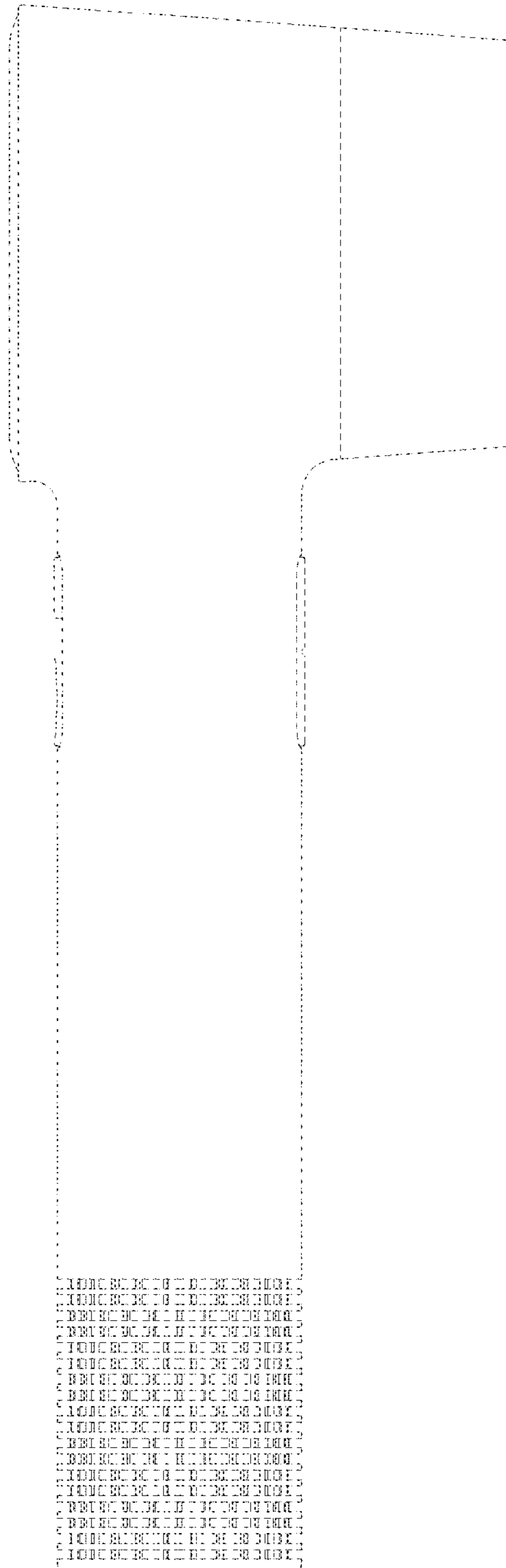


FIG. 5

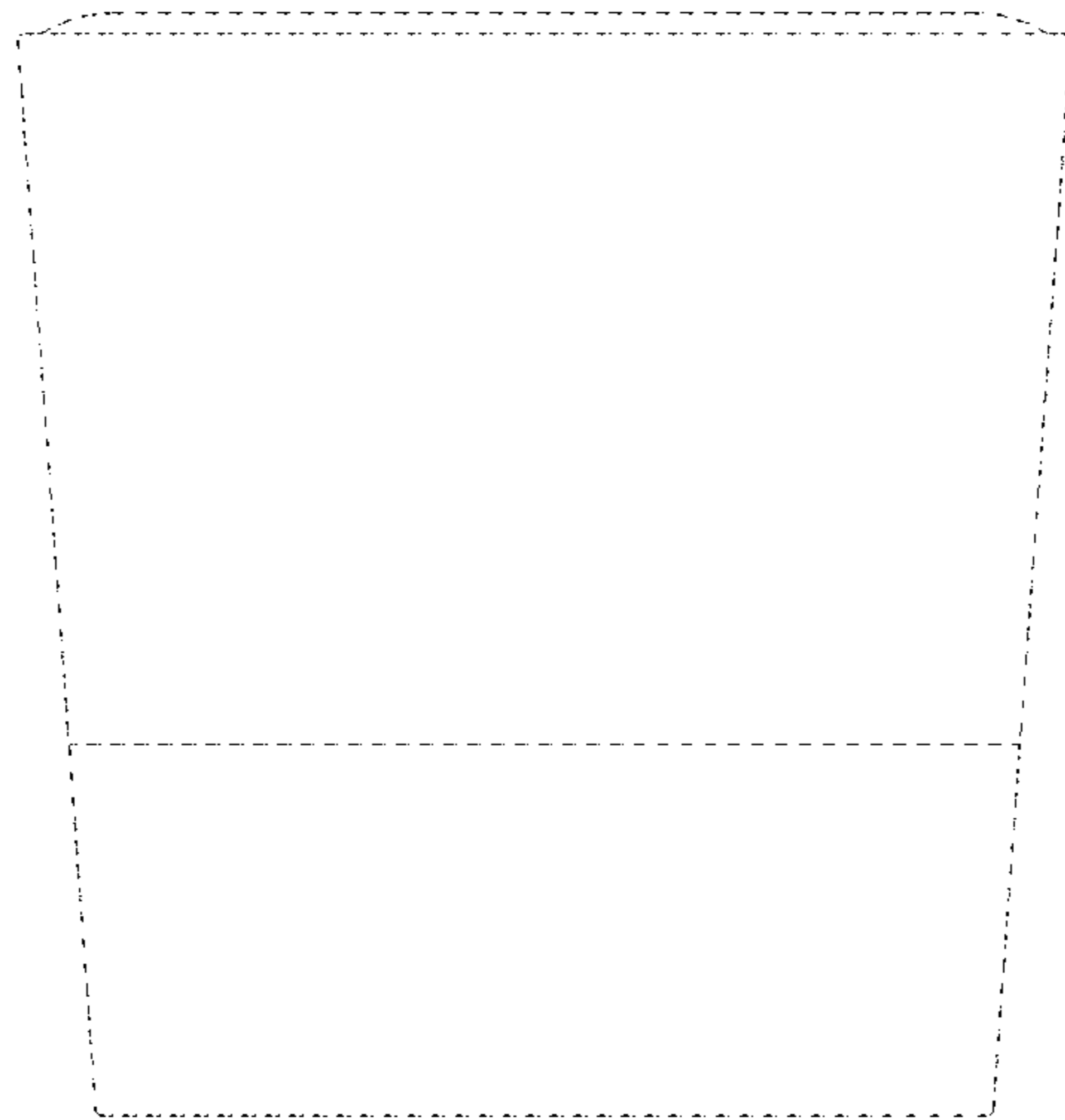


FIG. 6

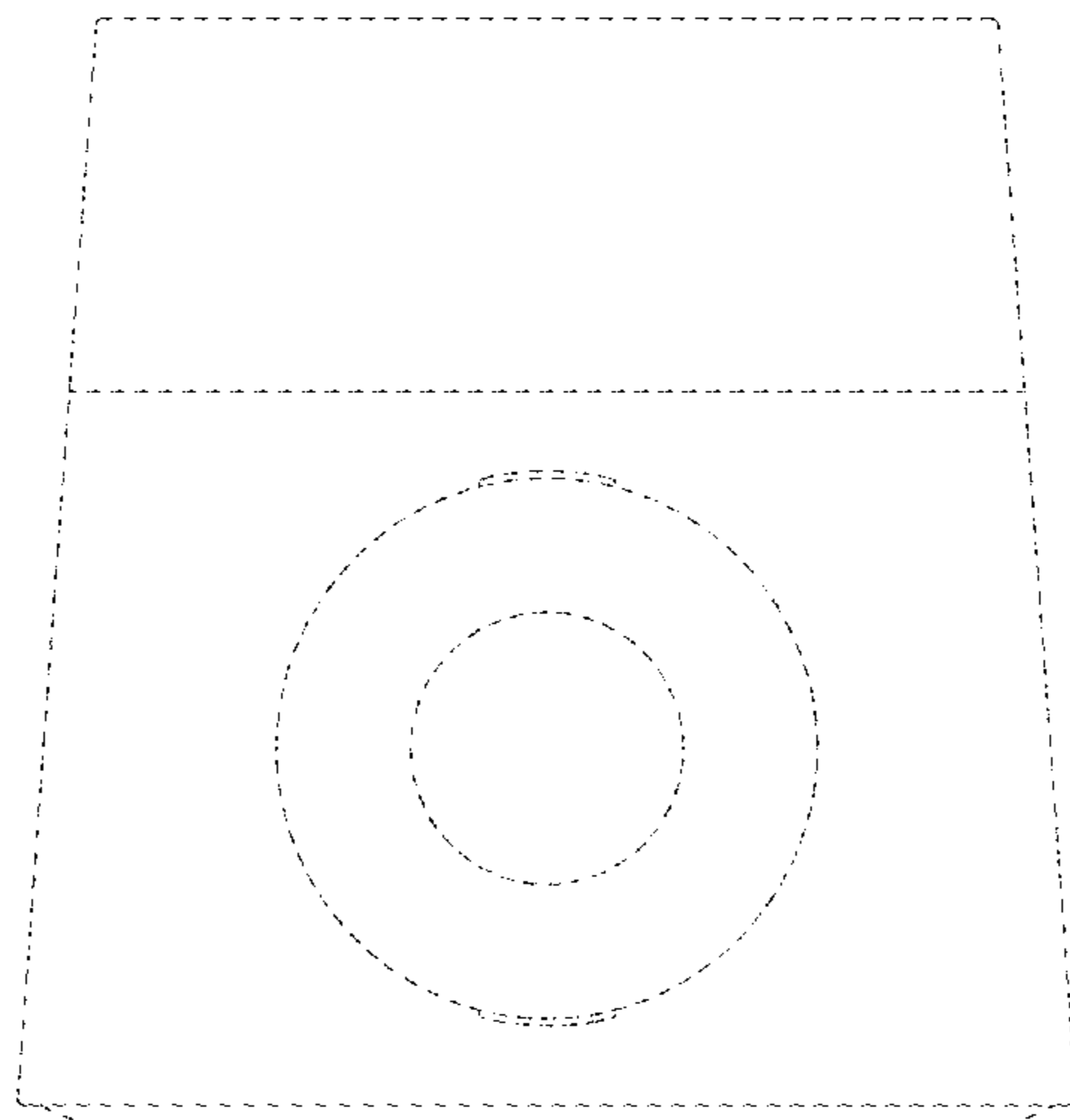


FIG. 7

