



US00D927776S

(12) **United States Design Patent**
Kurthy

(10) **Patent No.:** **US D927,776 S**
(45) **Date of Patent:** **** Aug. 10, 2021**

(54) **COMBINED CIGAR PUNCH AND STAND**

DESCRIPTION

- (71) Applicant: **Rodger Kurthy**, Coto de Caza, CA (US)
- (72) Inventor: **Rodger Kurthy**, Coto de Caza, CA (US)
- (73) Assignee: **Perfec Cigar Solutions, Inc.**
- (**) Term: **15 Years**
- (21) Appl. No.: **29/758,021**
- (22) Filed: **Nov. 11, 2020**
- (51) **LOC (13) Cl.** **27-99**
- (52) **U.S. Cl.**
USPC **D27/195; D27/172; D27/183**
- (58) **Field of Classification Search**
USPC **D27/100, 101, 102, 103, 104, 105, 106, 107, 108, 109, 110, 111, 112, 117,**
(Continued)

(56) **References Cited**

U.S. PATENT DOCUMENTS

- D143,021 S * 11/1945 Murphy D27/135
 - D145,562 S * 9/1946 Chambers D27/180
- (Continued)

OTHER PUBLICATIONS

Cigar Rests. By Cigar International. Dated Feb. 7, 2019. Found online [Dec. 21, 2020], <https://www.cigarsinternational.com/p/cigar-rests/2019186/> (Year: 2019).*

(Continued)

Primary Examiner — Marissa J Cash
Assistant Examiner — William B Melliar
 (74) *Attorney, Agent, or Firm* — Quickpatents, LLC;
 Kevin Prince

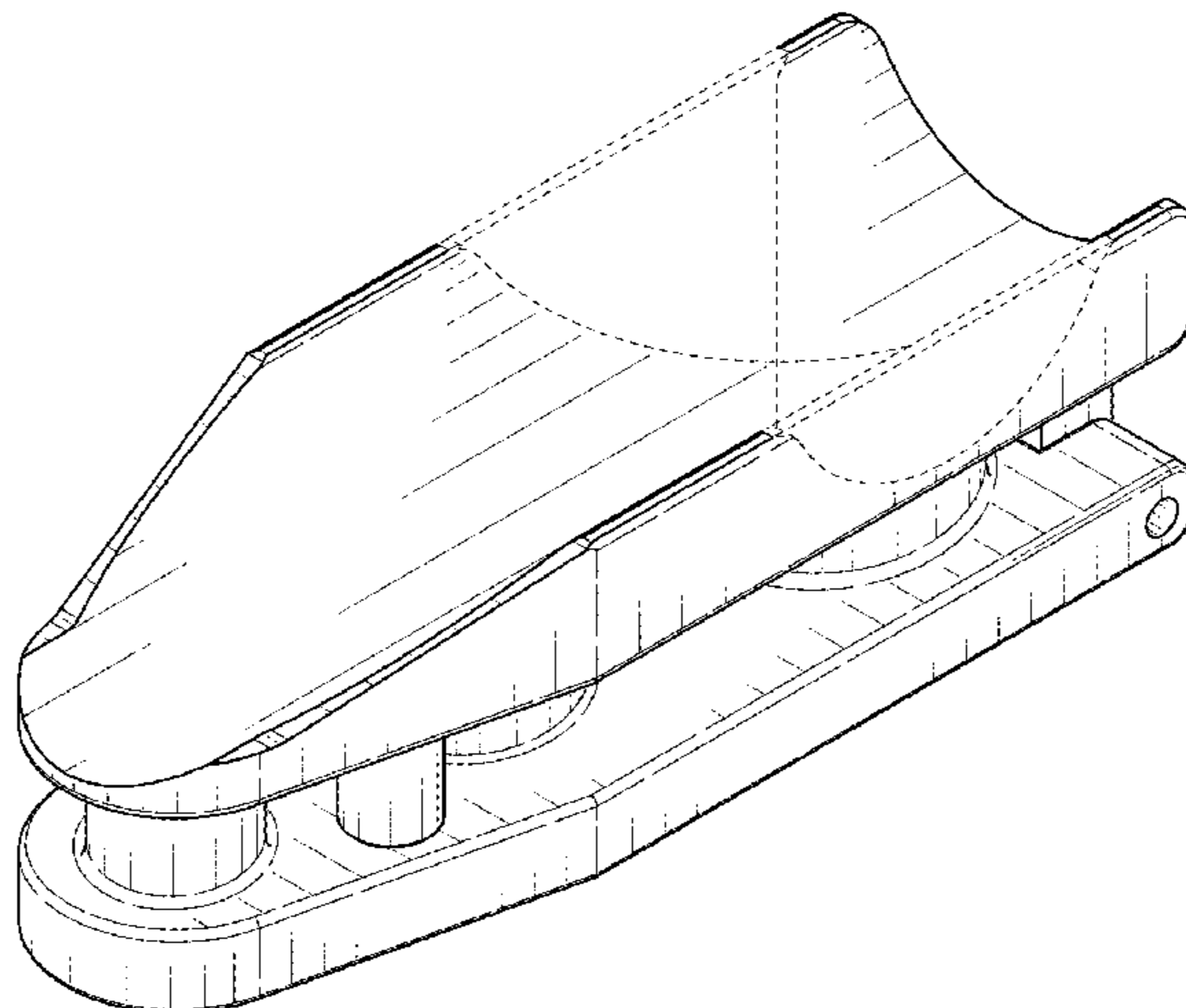
(57) **CLAIM**

The ornamental design for a combined cigar punch and stand, as shown and described.

FIG. 1 is a perspective view of a first embodiment of a combined cigar punch and stand, showing my new design in a closed position with an environment of use;
 FIG. 2 is a perspective view of FIG. 1, shown with environment removed for clarity of disclosure;
 FIG. 3 is a perspective view thereof, illustrated in an open position and alternate environment of use;
 FIG. 4 is a front elevational view of FIG. 2;
 FIG. 5 is a rear elevational view of FIG. 2;
 FIG. 6 is a right-side elevational view of FIG. 2, the left-side elevational view being a mirror image thereof;
 FIG. 7 is a top plan view of FIG. 2;
 FIG. 8 is a bottom plan view of FIG. 2;
 FIG. 9 is a perspective view of a second embodiment thereof, illustrated in a closed position with an environment of use;
 FIG. 10 is a perspective view of FIG. 9 with environment removed for clarity of disclosure;
 FIG. 11 is a perspective view thereof, illustrated in the open position and alternate environment of use;
 FIG. 12 is a front elevational view of FIG. 10;
 FIG. 13 is a rear elevational view of FIG. 10;
 FIG. 14 is a right-side elevational view of FIG. 10, the left-side elevational view being a mirror image thereof;
 FIG. 15 is a top plan view of FIG. 10;
 FIG. 16 is a bottom plan view of FIG. 10;
 FIG. 17 is a perspective view of a third embodiment thereof, illustrated in a closed position with an environment of use;
 FIG. 18 is a perspective view of FIG. 17 with environment removed for clarity of disclosure;
 FIG. 19 is a perspective view thereof, illustrated in an open position and alternate environment of use;
 FIG. 20 is a front elevational view of FIG. 18;
 FIG. 21 is a rear elevational view of FIG. 18;
 FIG. 22 is a right-side elevational view of FIG. 18, the left-side elevational view being a mirror image thereof;
 FIG. 23 is a top plan view of FIG. 18; and,
 FIG. 24 is a bottom plan view of FIG. 18.

The broken lines showing a cigar in the figures depict environmental matter and form no part of the claimed

(Continued)



design. The remaining broken lines in the figures depict portions of the combined cigar punch and stand that form no part of the claimed design.

1 Claim, 18 Drawing Sheets

(58) Field of Classification Search

USPC D27/118, 121, 122, 123, 124, 125, 126, D27/127, 128, 129, 130, 131, 133, 134, D27/135, 136, 137, 138, 172, 174, 175, D27/176, 177, 178, 179, 180, 181, 182, D27/183, 184, 185, 186, 187, 188, 189, D27/190, 191, 192, 193, 194, 195; D7/665, 666, 679, 680, 682, 683, 685, D7/686, 372, 381, 414; D8/51, 52, 54, D8/58; D19/101, 102, 106
 CPC A24F 13/22; A24F 13/24; A24F 15/04; A24F 19/0071; A24F 13/08; A24F 15/00; A24F 13/16; A24F 15/20; A24F 13/02; A24F 13/26; A24F 19/0035; A24F 13/06; A24F 15/10; A24F 15/12; A24F 19/0064; A24F 13/18; A24F 19/00; A24F 19/10; A24F 25/02; A24F 47/00; A24F 13/10; A24F 15/18; A24F 19/06; F21V 33/00; F23Q 7/00; F23Q 2/32; B65D 85/109; B65D 85/12; B65D 2577/042; B65D 77/0486; A63B 57/50; A63B 55/408; A63B 57/203; A63B 2102/32; A63B 2209/00; A63B 2210/50; A63B 47/00; A63B 57/20; A63B 55/10; B60N 3/12; B60N 3/083; A24C 5/34; A24C 1/38; A24C 1/386; A24D 3/04; A24D 3/166; A24D 1/12; A24D 1/00; A24D 1/002; A24D 1/08; B60R 11/00; B62J 11/00;

(56)

B62J 9/00; A42B 1/24; A45F 2200/0566; A45F 5/02; A45F 2202/404; B62B 2200/404; B62B 3/10; Y10T 24/20; Y10T 24/203; Y10T 24/204; Y10T 70/7876; Y10T 29/49881; Y10T 29/49998; Y10T 29/53691; Y10T 83/9314; B43L 23/08; E05B 19/00; F24F 6/10; Y10S 206/811; B25B 21/007; B25B 23/10; B25B 23/141; C09K 11/7734; B43K 29/00; B67B 7/16

See application file for complete search history.

References Cited

U.S. PATENT DOCUMENTS

D215,192 S * 9/1969 Felton D27/180
 D250,279 S * 11/1978 Niesse D27/180
 D387,473 S * 12/1997 Angelakos D27/135
 D548,033 S * 8/2007 Russo D8/51
 D562,086 S * 2/2008 Ho D7/666
 D564,704 S * 3/2008 Chuang D27/103
 D570,171 S * 6/2008 Benktzon D24/133
 D799,750 S * 10/2017 Parcevaux D27/194
 D805,249 S * 12/2017 Casalino D27/183
 D844,239 S * 3/2019 Nellestein D27/183
 D857,986 S * 8/2019 Nellestein D27/183
 D898,989 S * 10/2020 Kesselman D27/138
 2014/0007890 A1 * 1/2014 Wills A24F 13/02
 131/328

OTHER PUBLICATIONS

Luxurious Cigar Ash Tray. By Mrs. Brog. Dated Jul. 24, 2015. Found online [Dec. 21, 2020], <https://www.amazon.com/dp/B012GY9BFC?> (Year: 2015).*
 Mrs. Brog Luxurious Cigar Ash Tray. By Mrs. Brog. Dated Jul. 24, 2015. Found online [Dec. 21, 2020], <https://www.amazon.com/dp/B012GY962K?> (Year: 2015).*

* cited by examiner

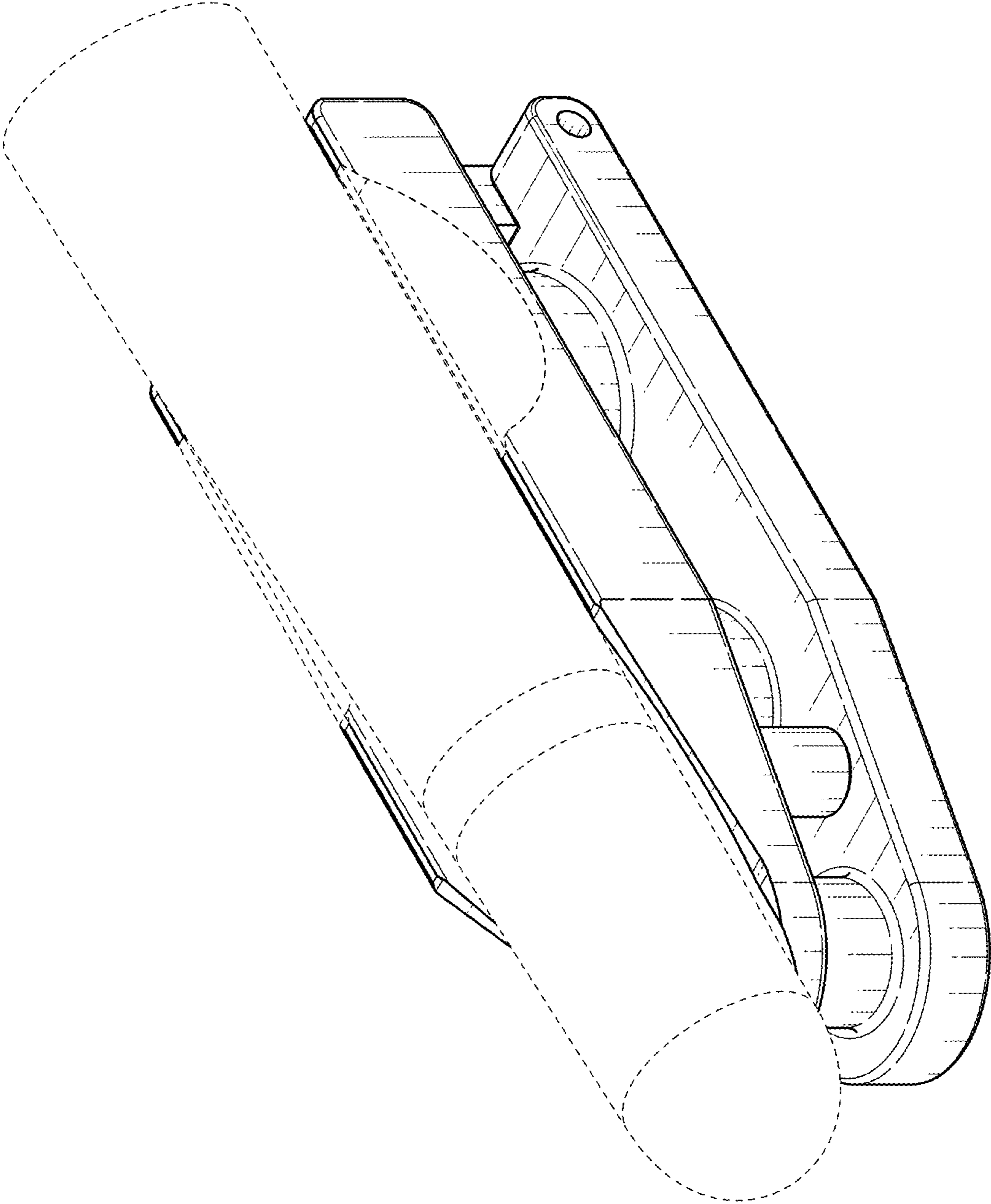


FIG. 1

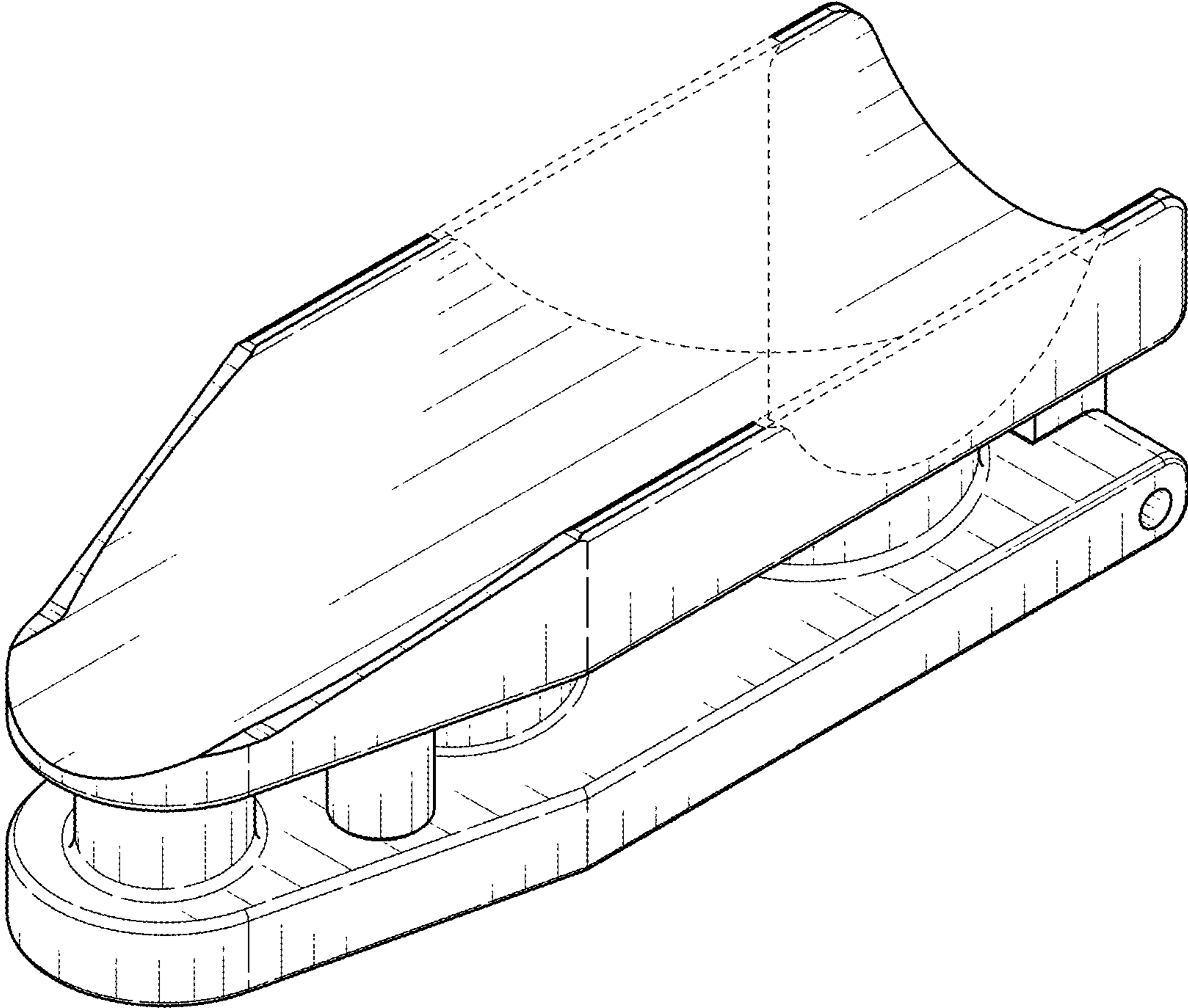


FIG. 2

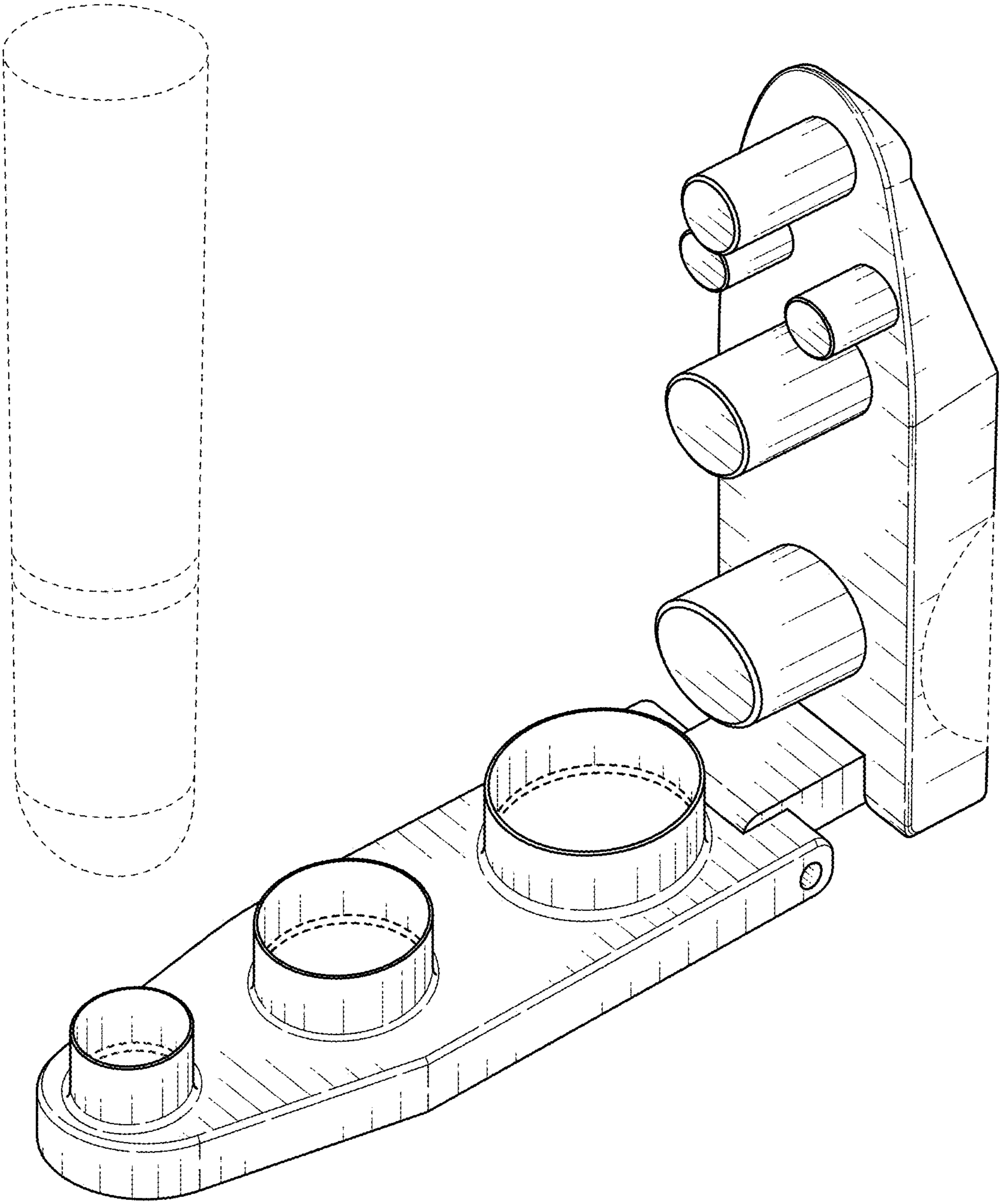


FIG. 3

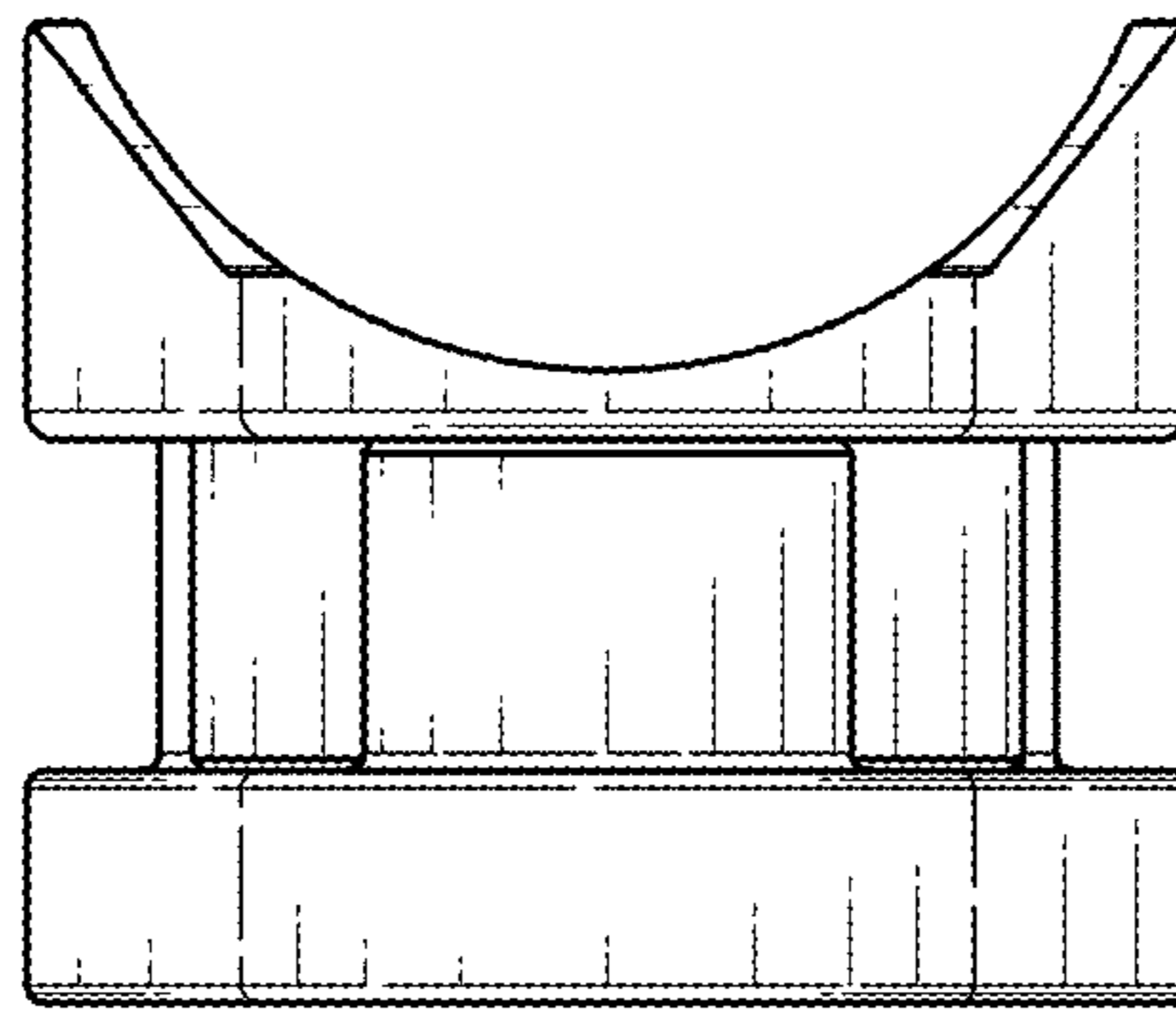


FIG. 4

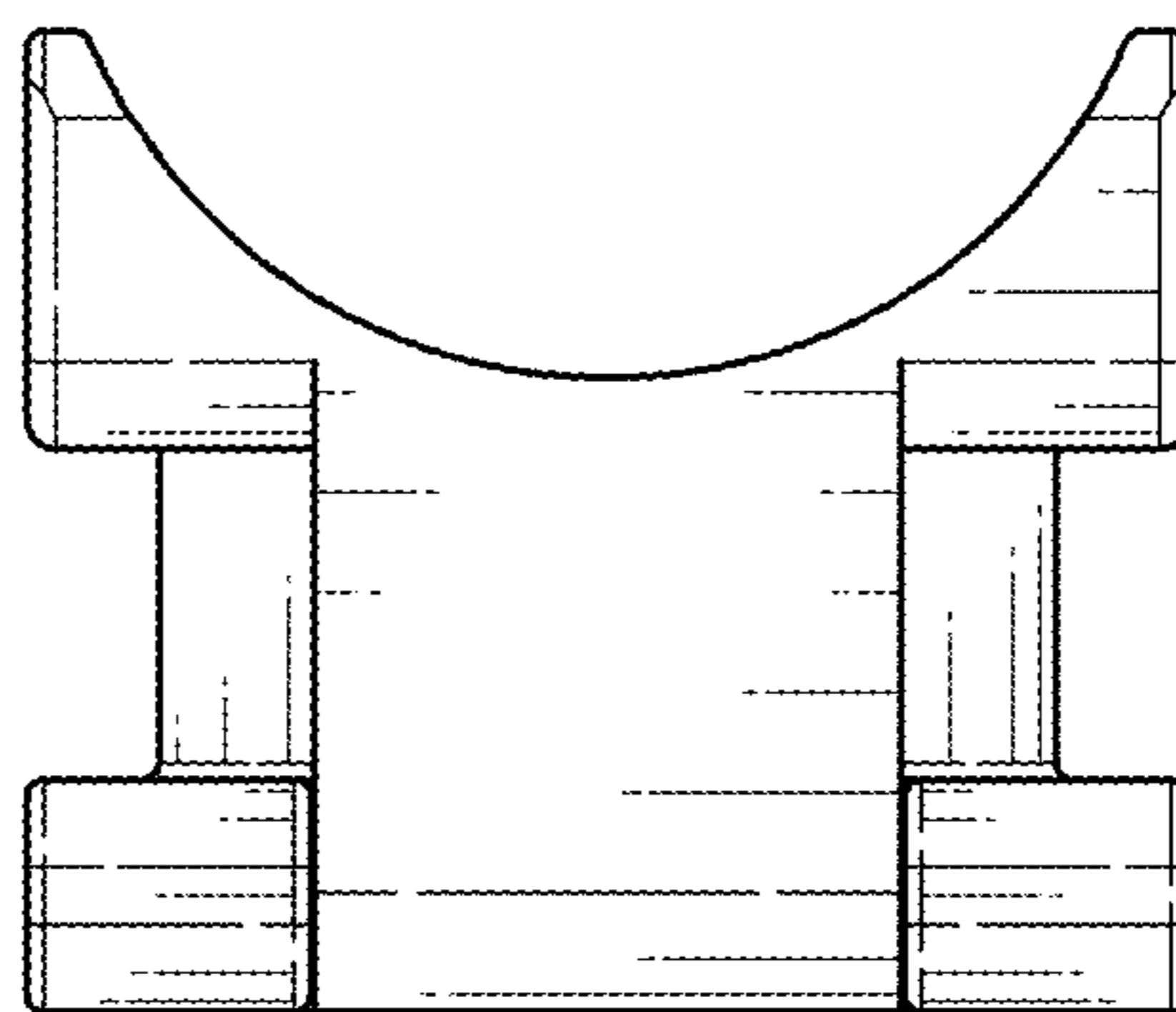


FIG. 5

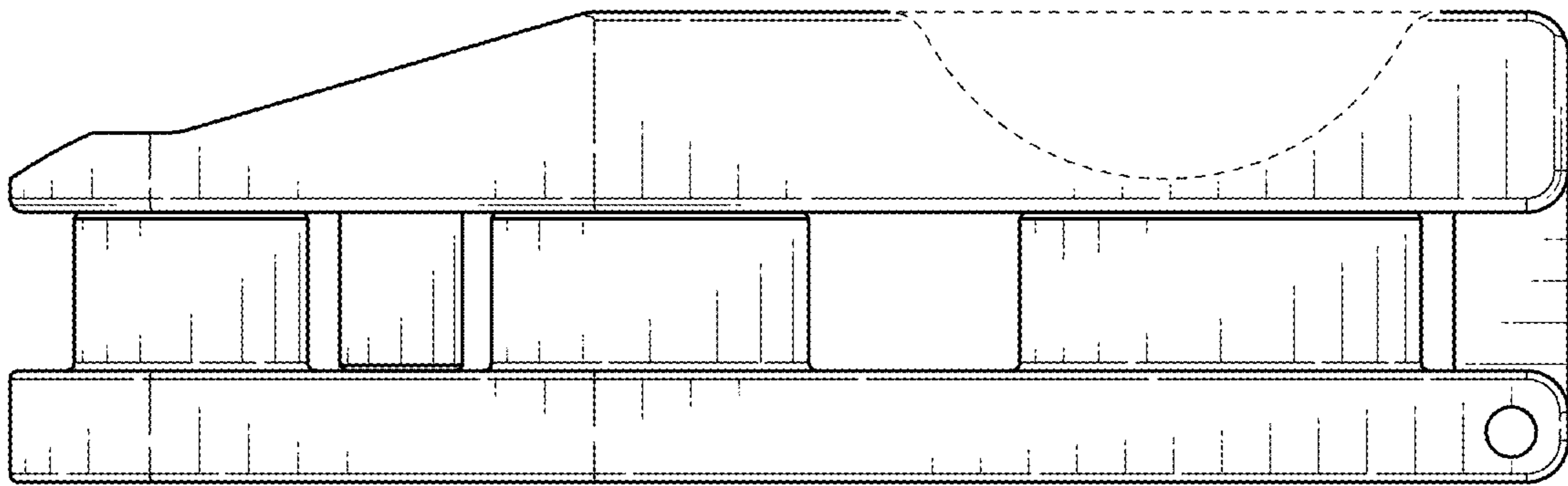


FIG. 6

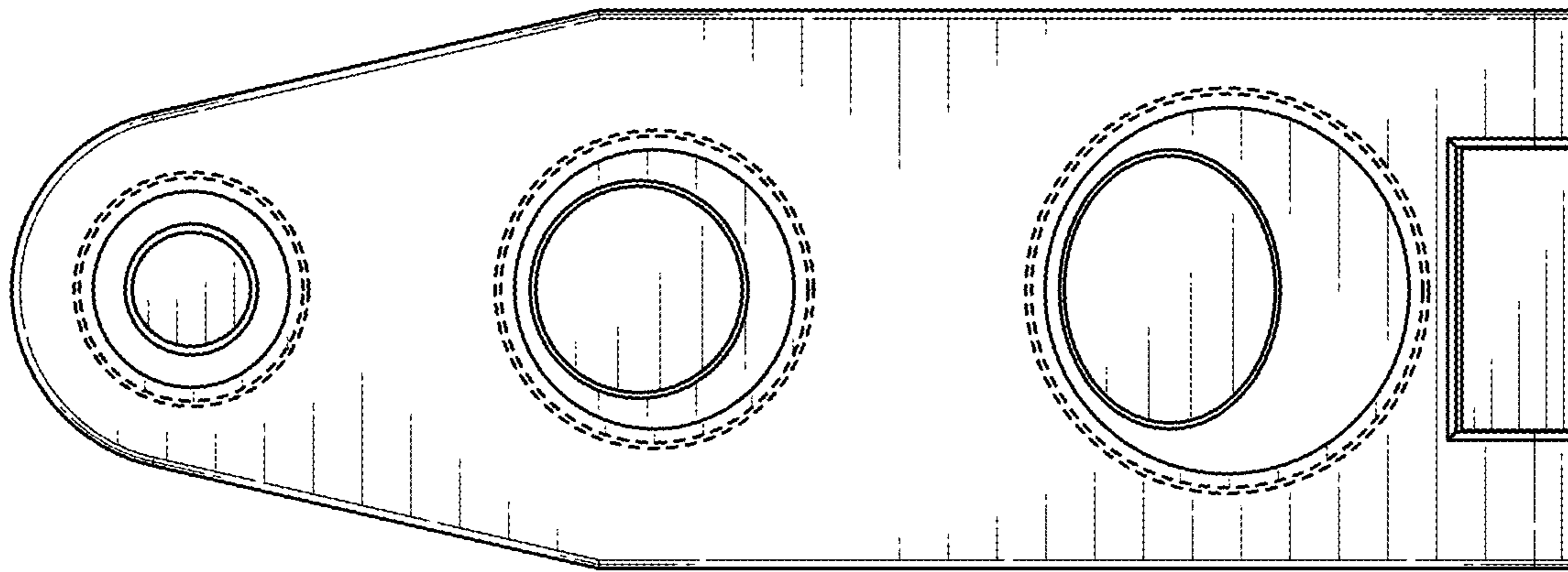


FIG. 8

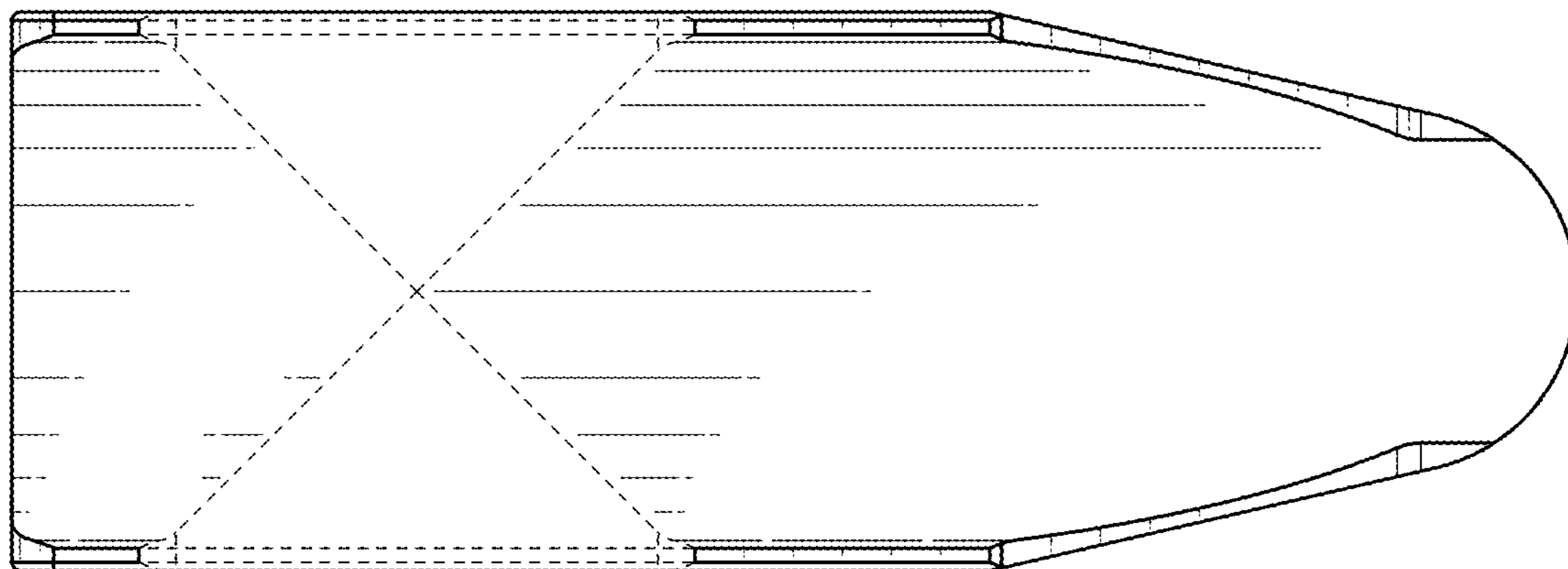


FIG. 7

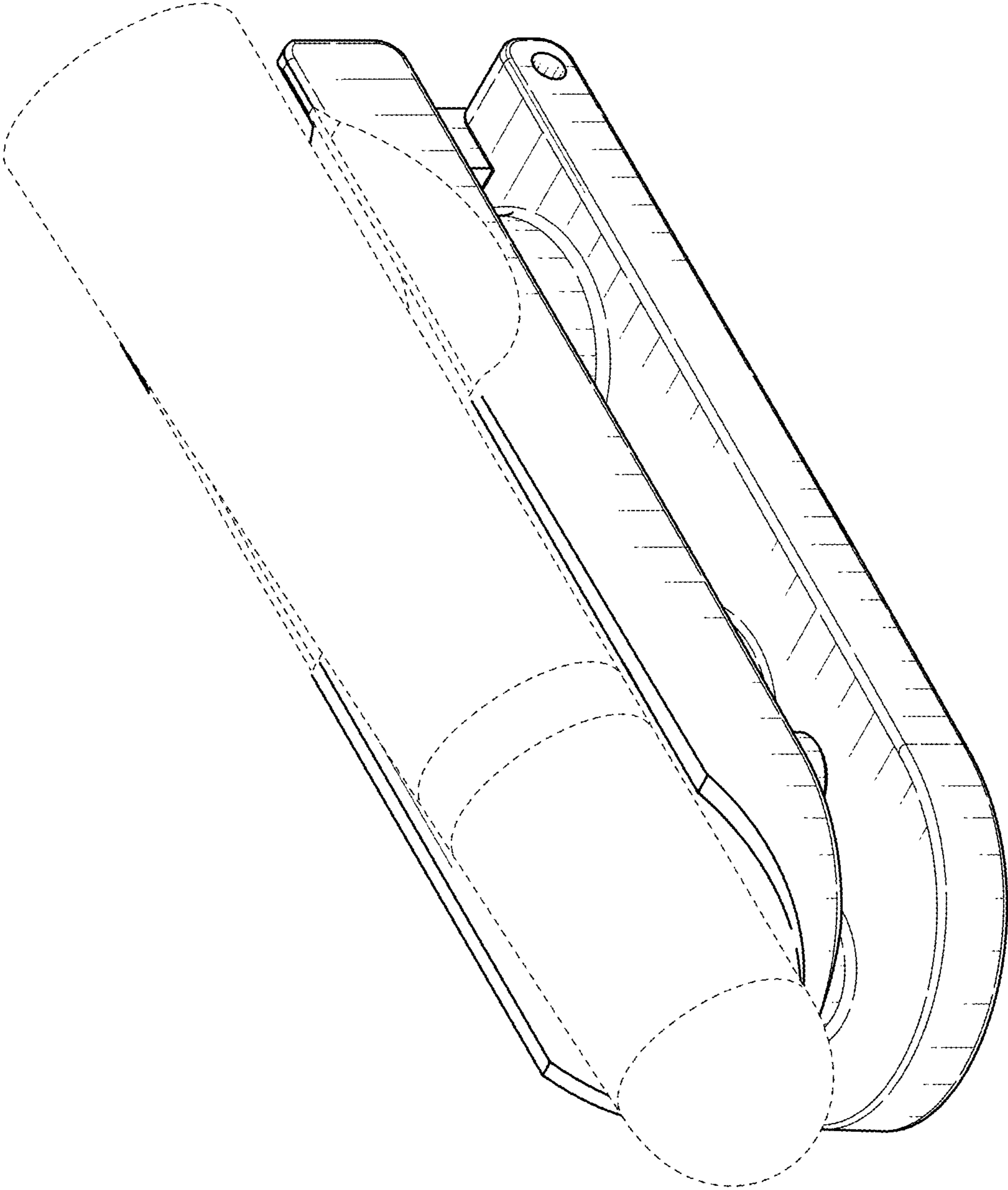


FIG. 9

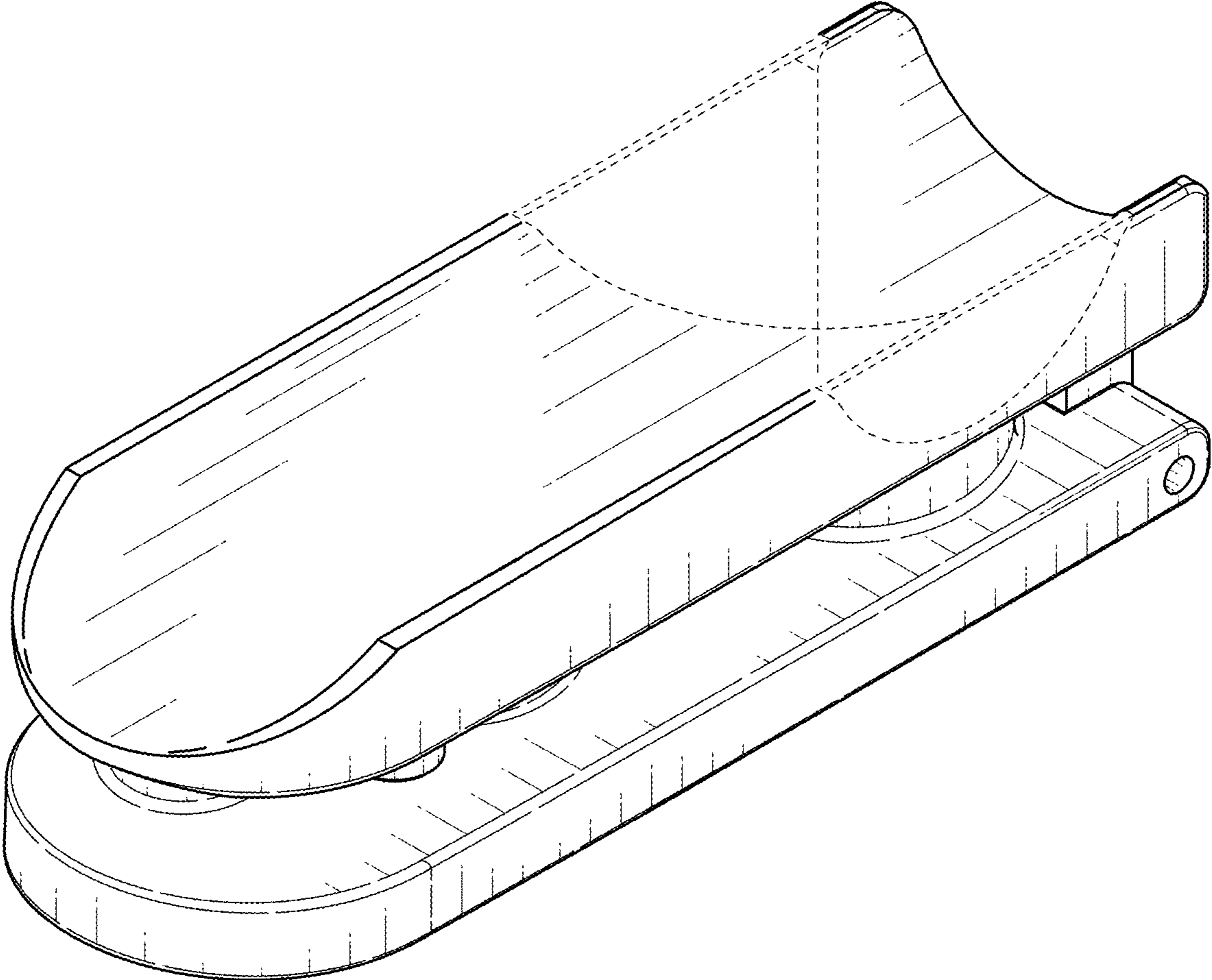


FIG. 10

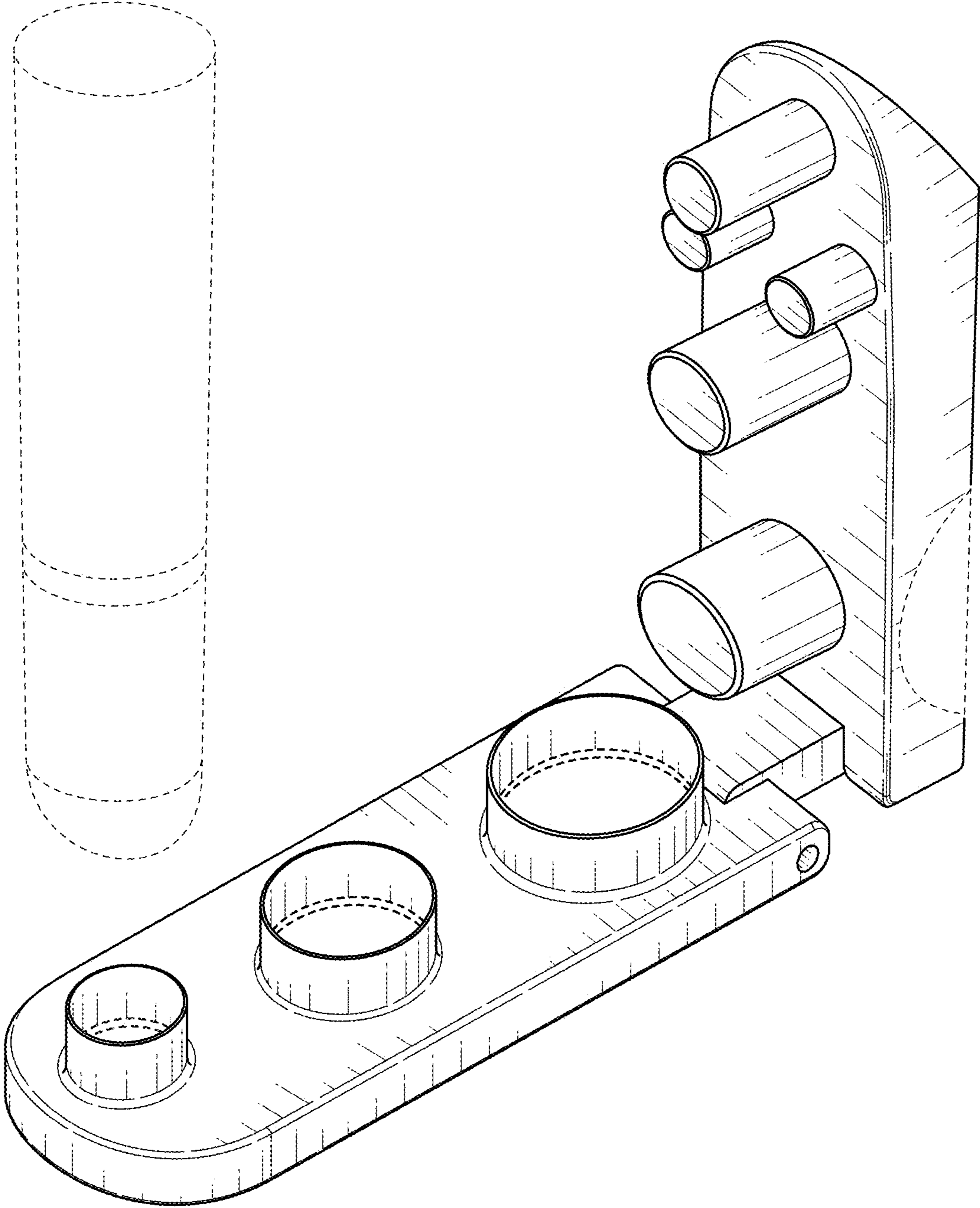


FIG. 11

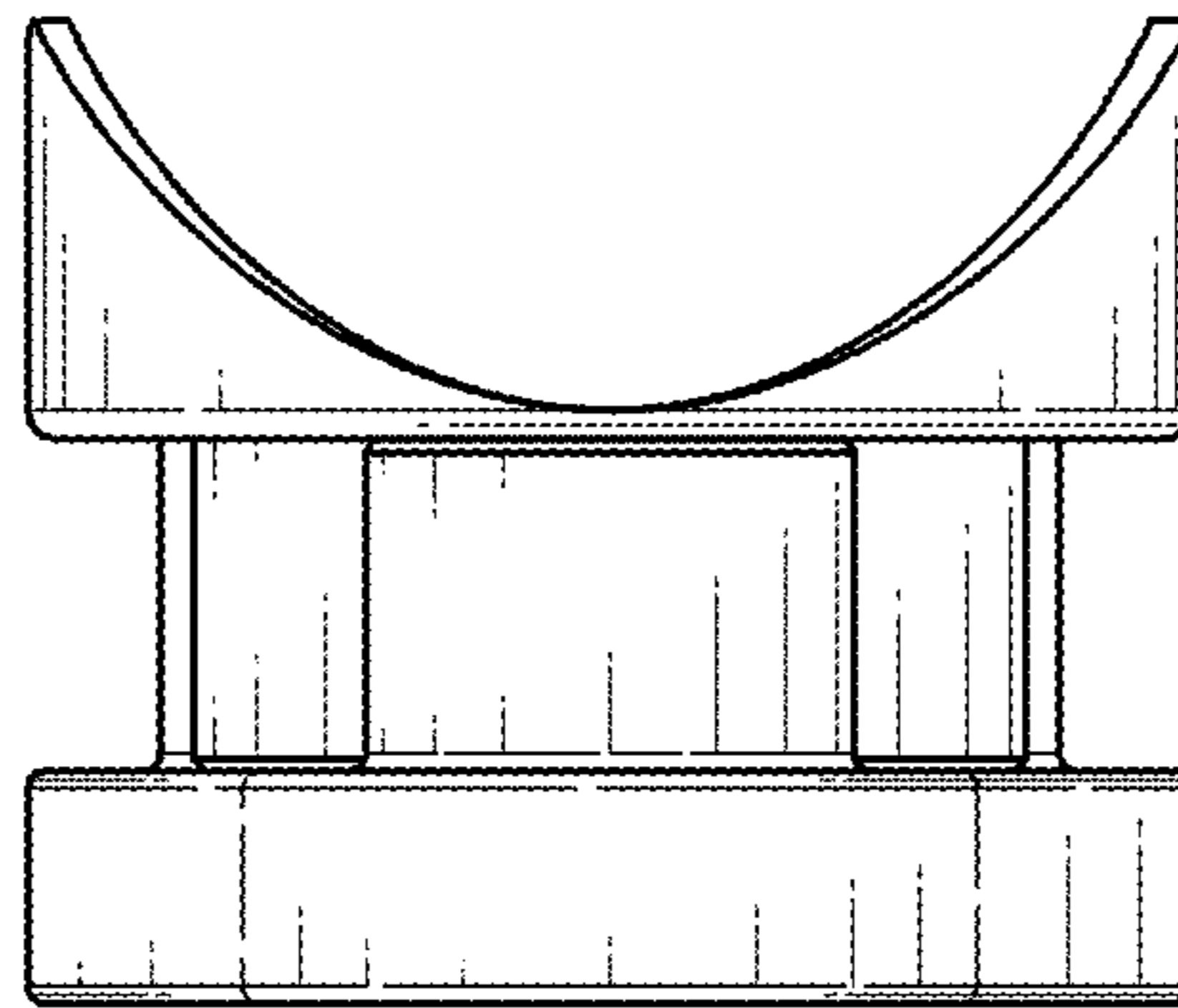


FIG. 12

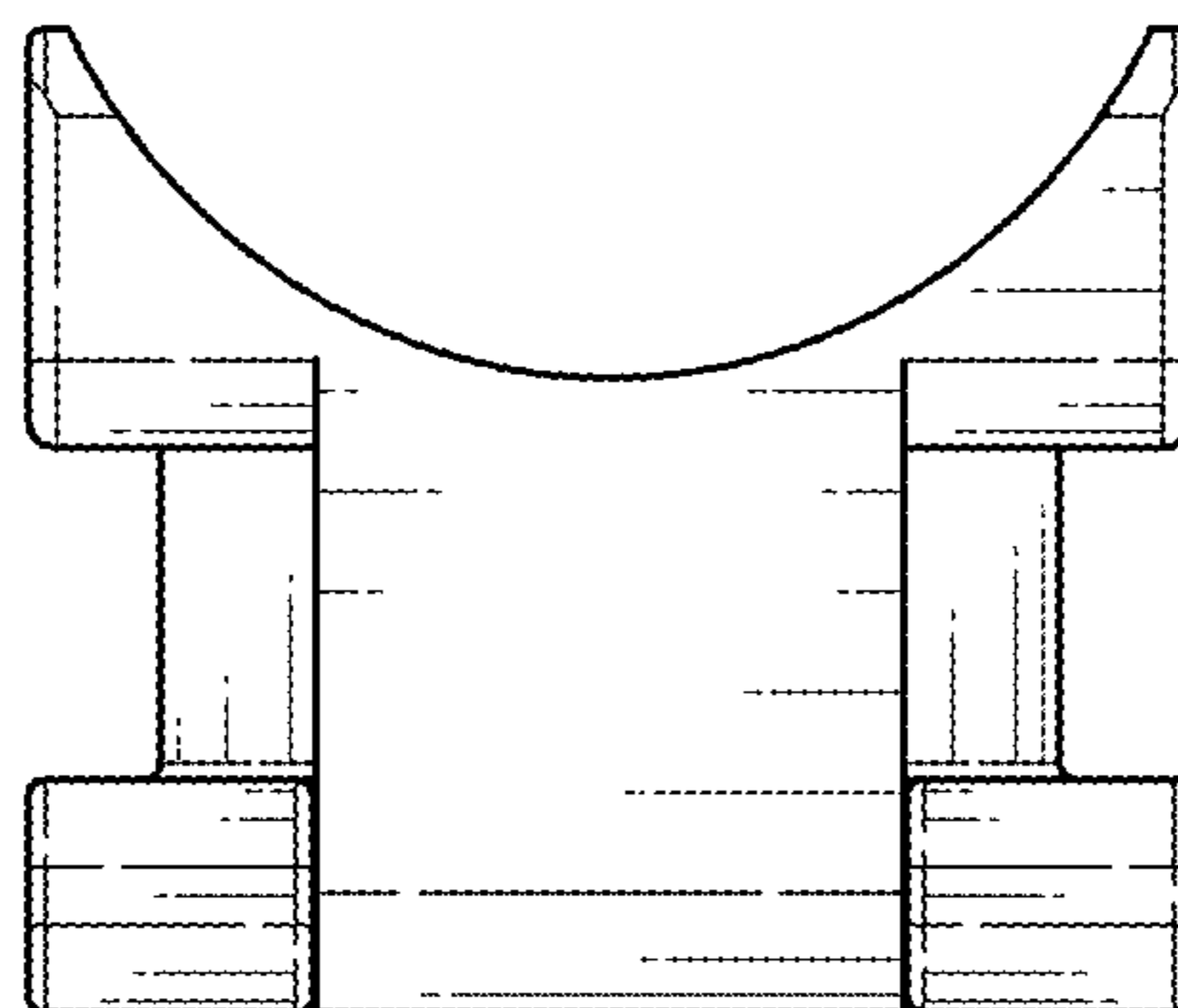


FIG. 13

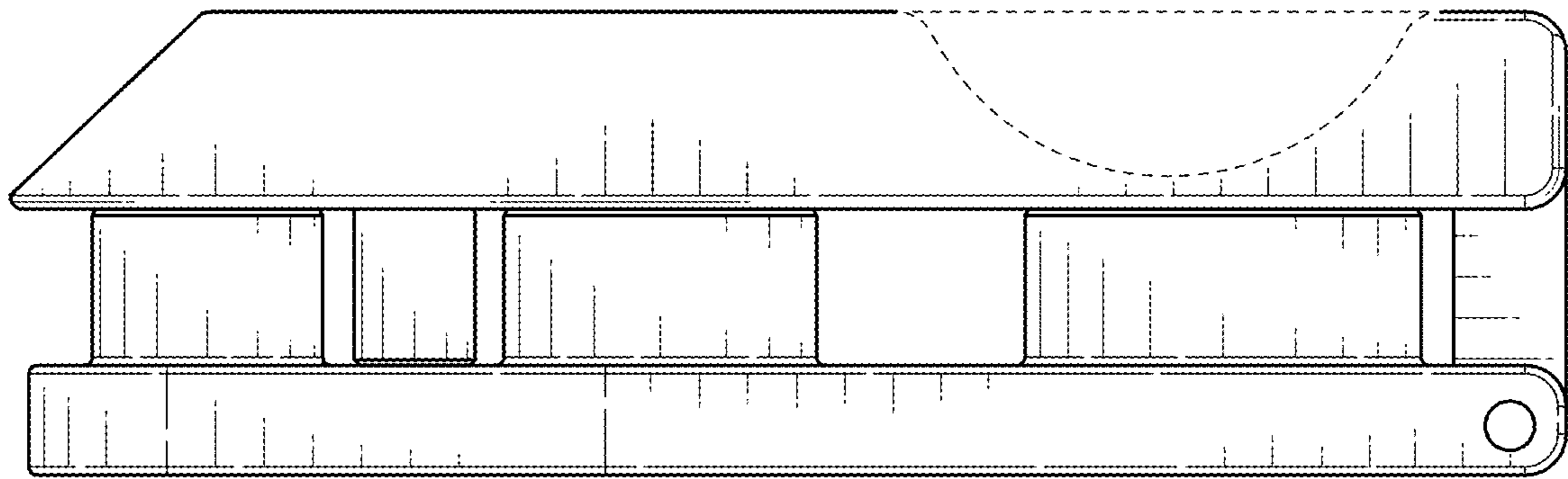


FIG. 14

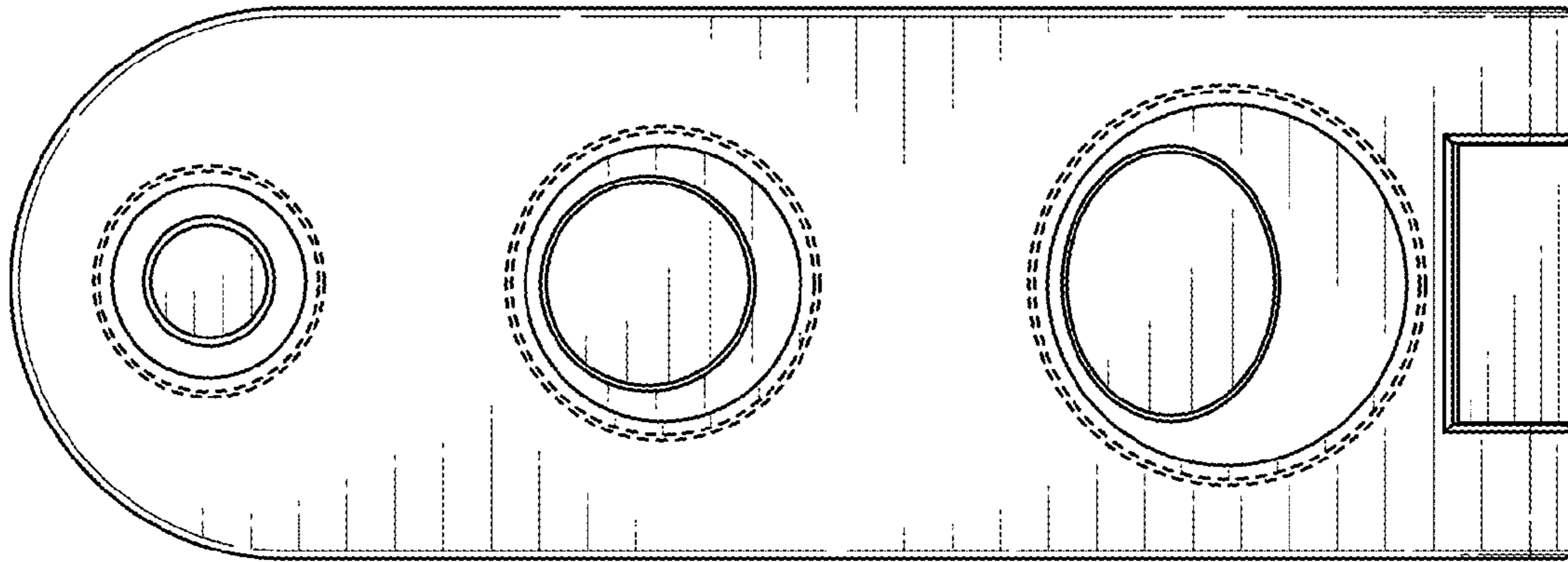


FIG. 16

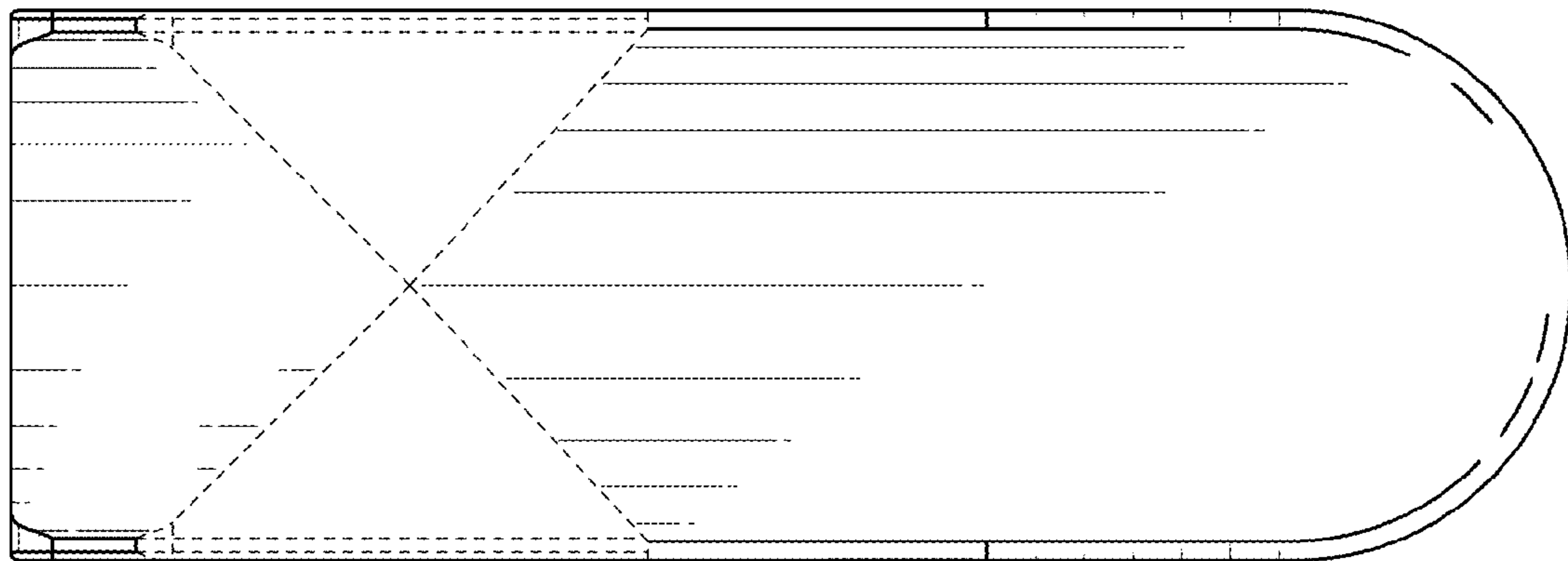


FIG. 15

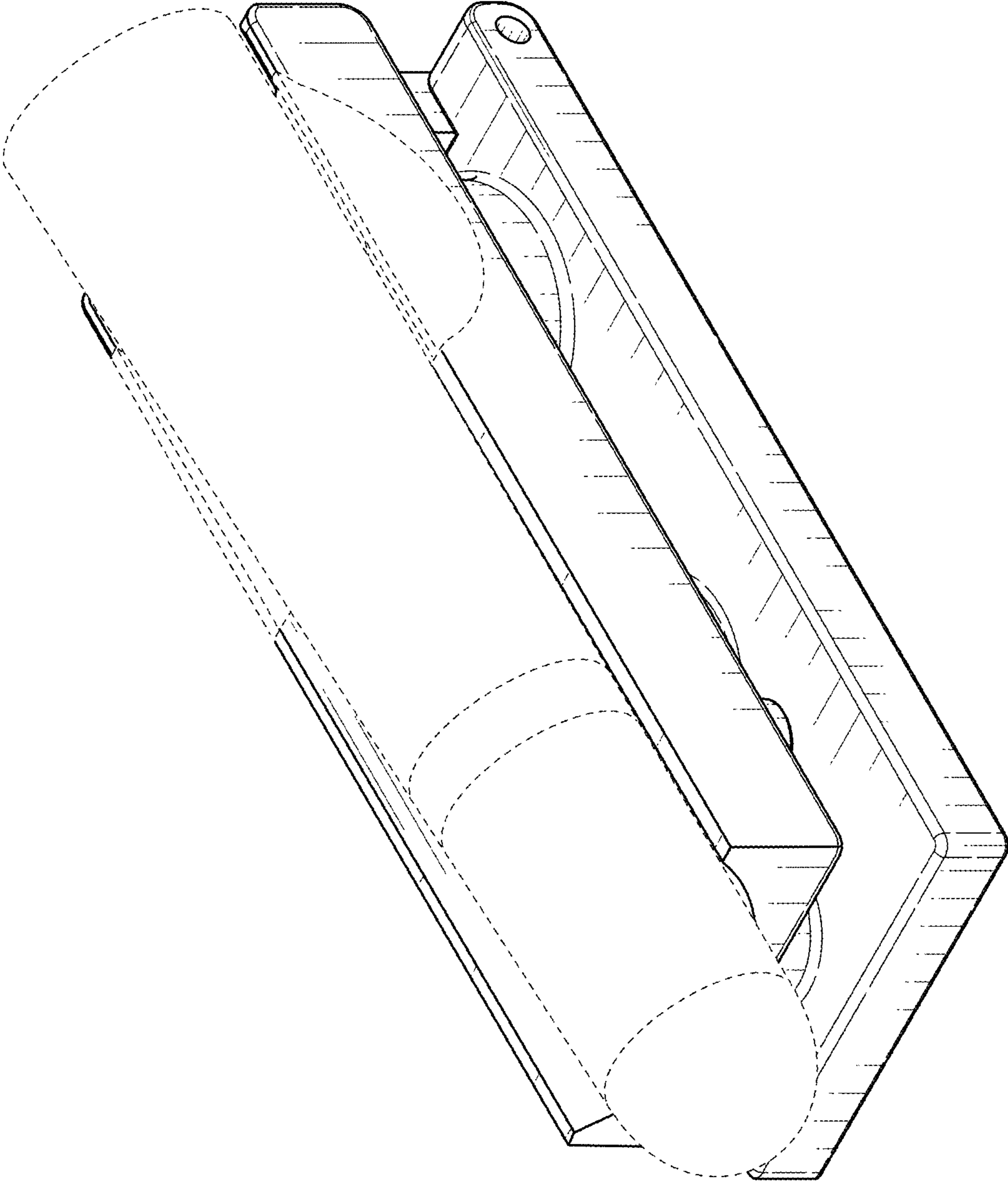


FIG. 17

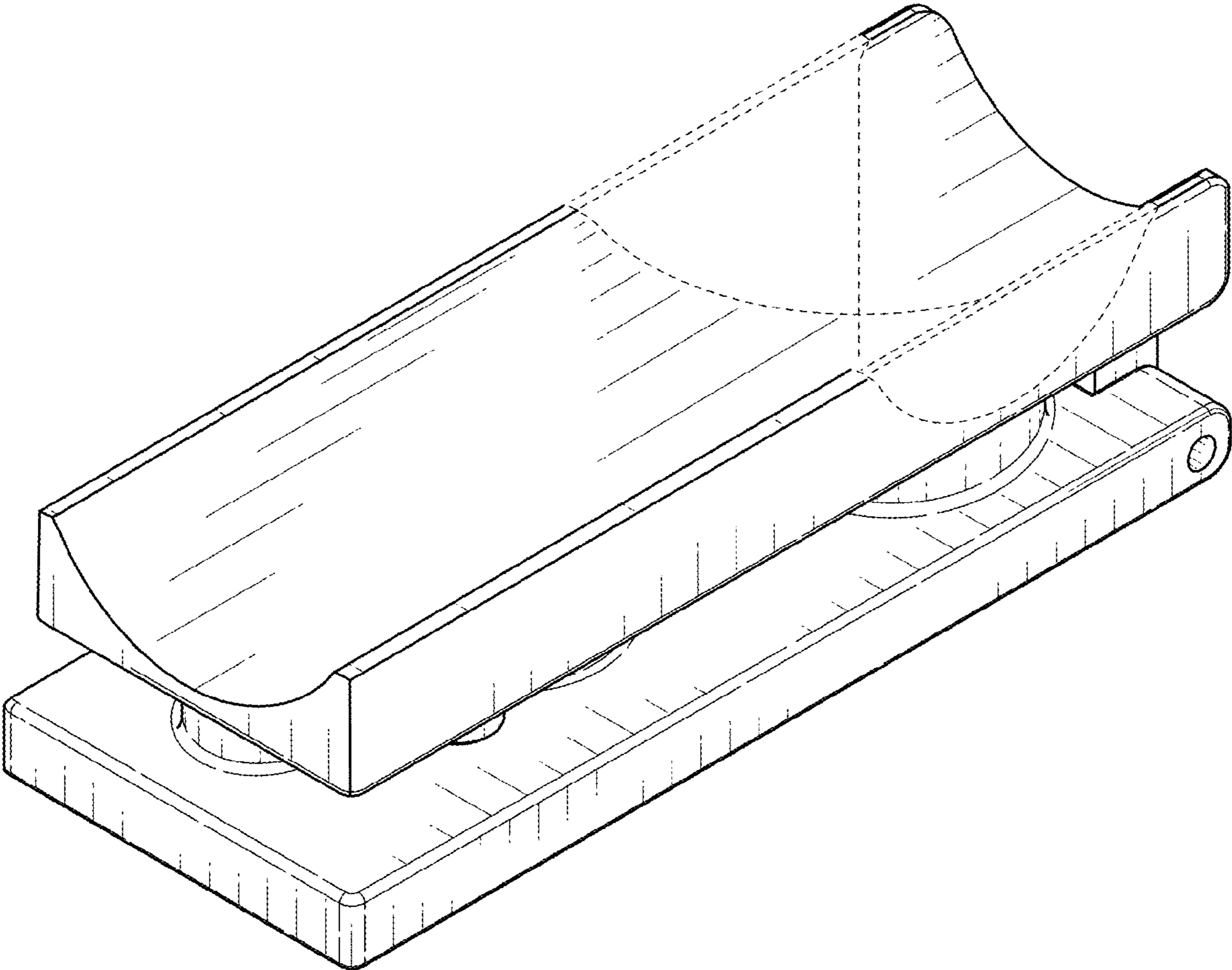


FIG. 18

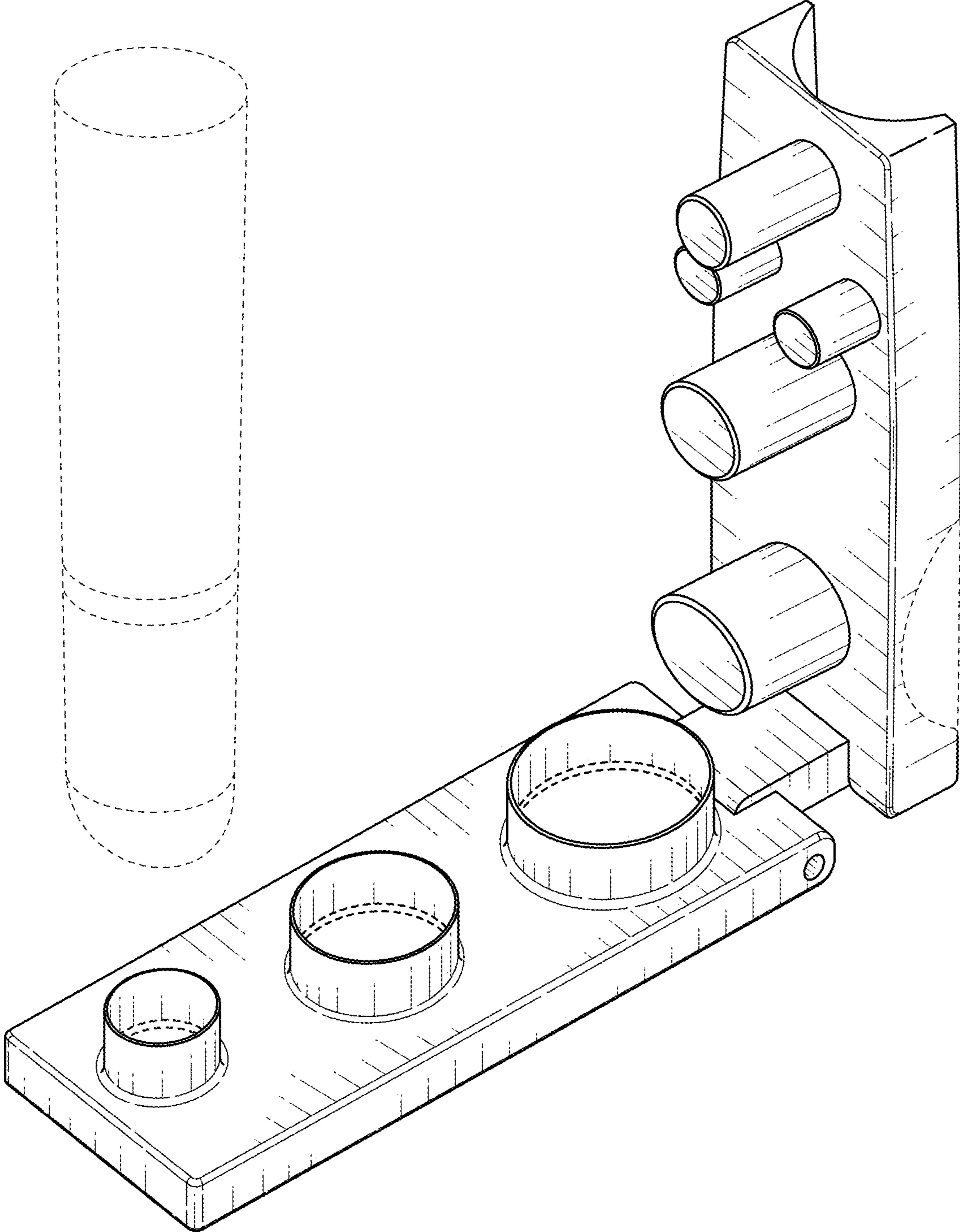


FIG. 19

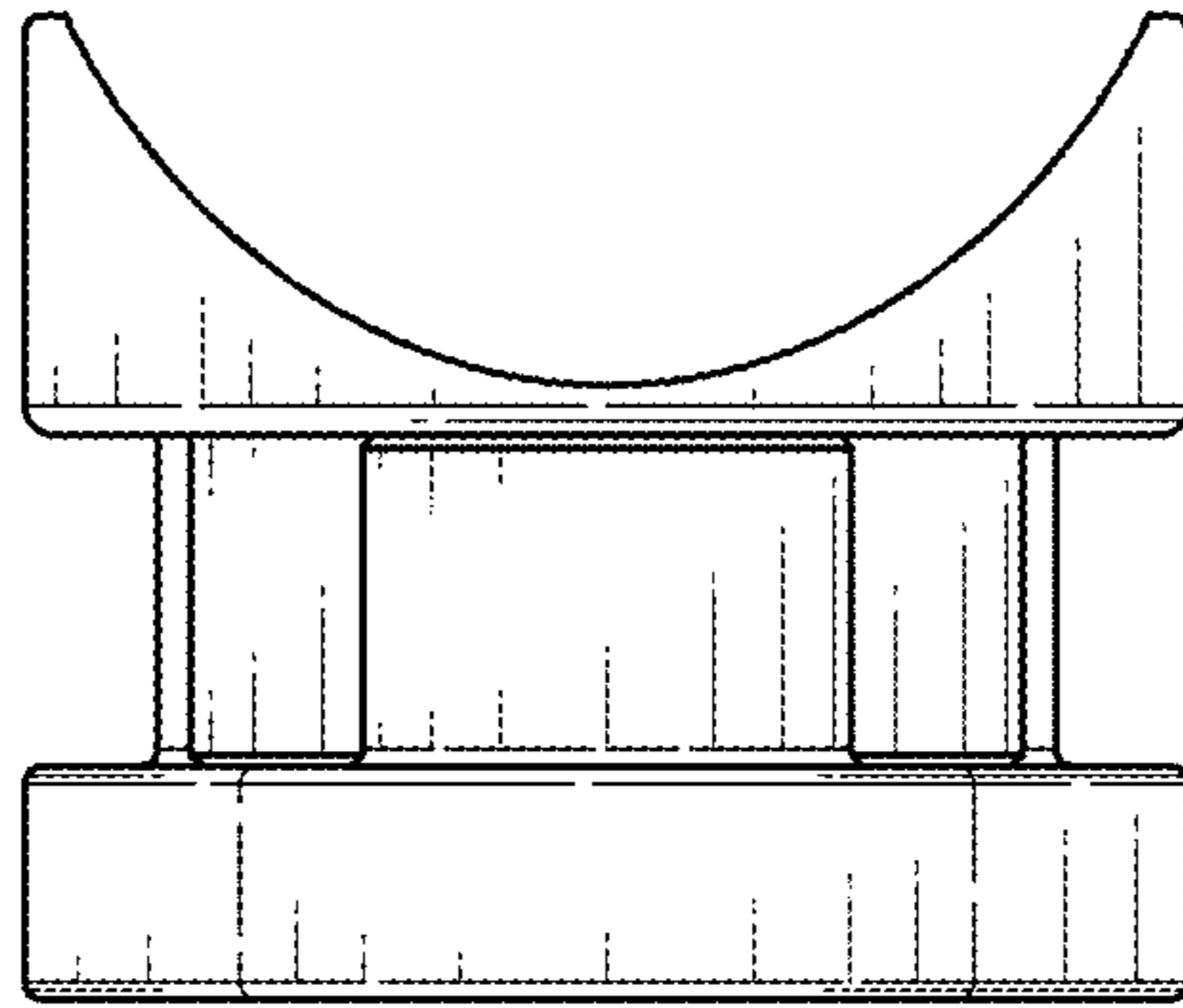


FIG. 20

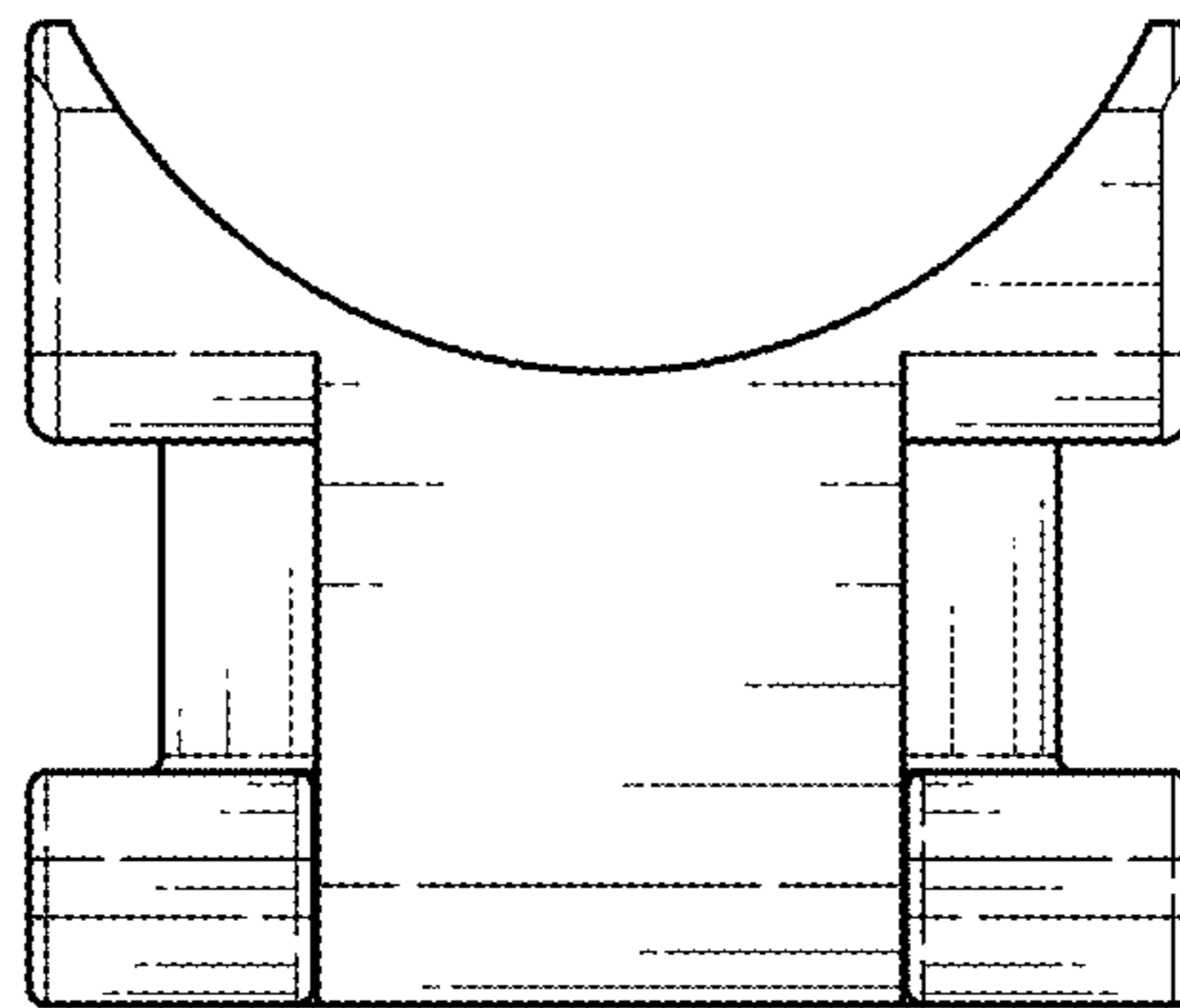


FIG. 21

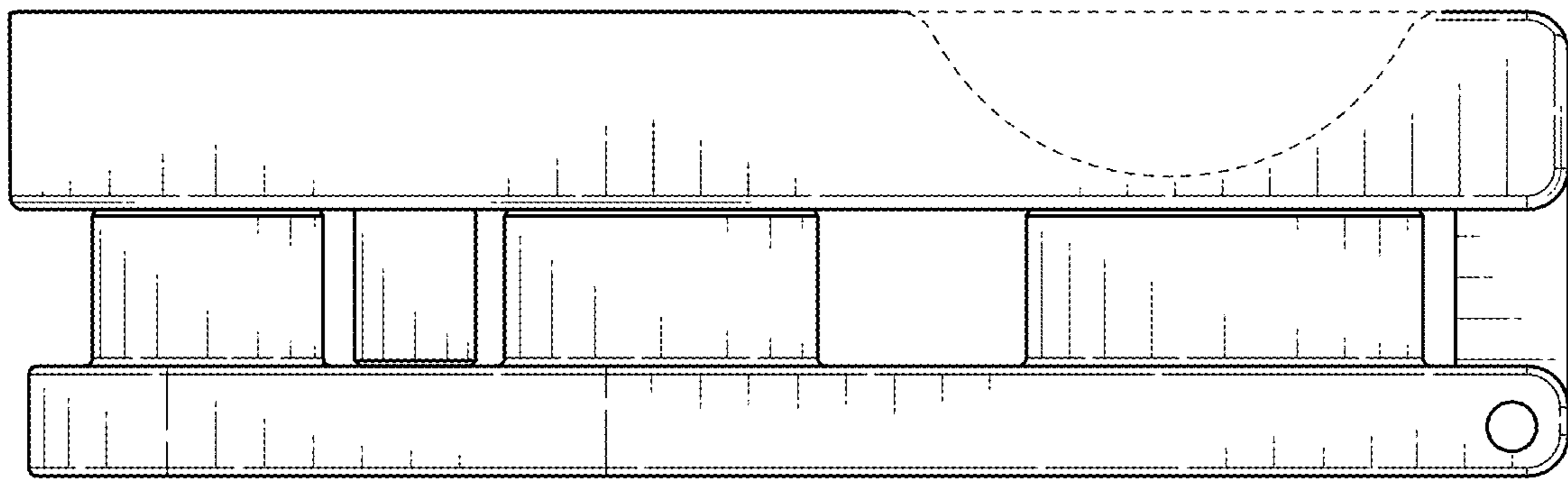


FIG. 22

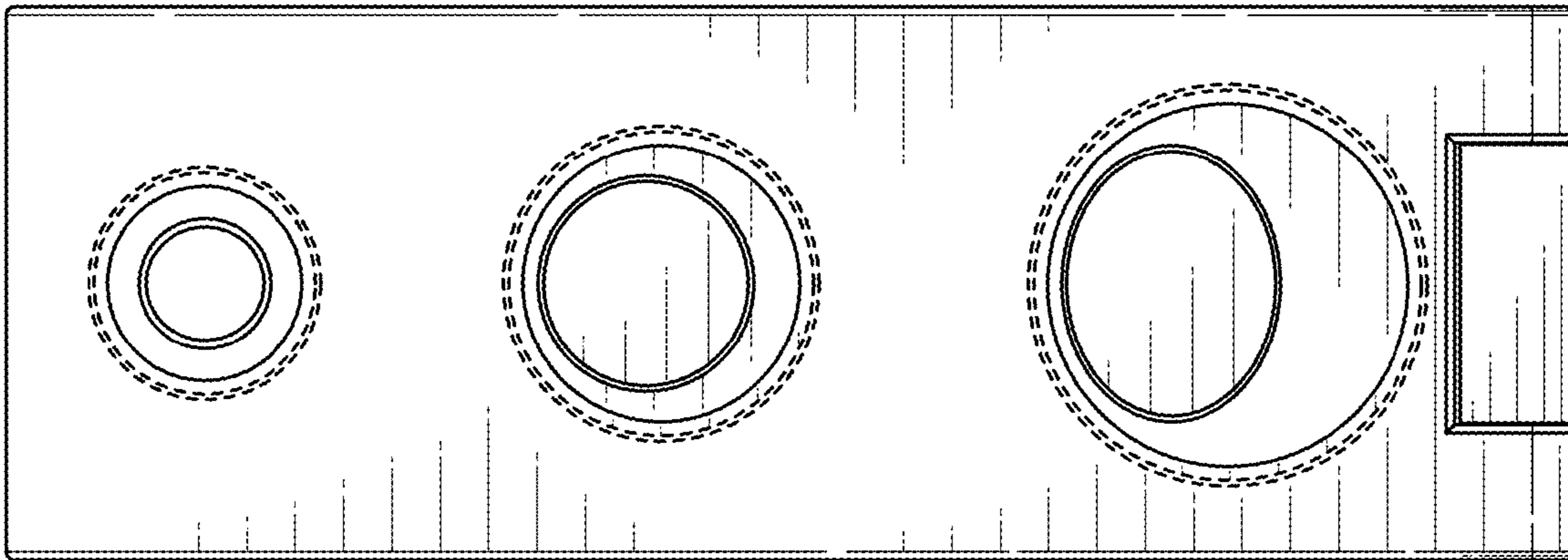


FIG. 24

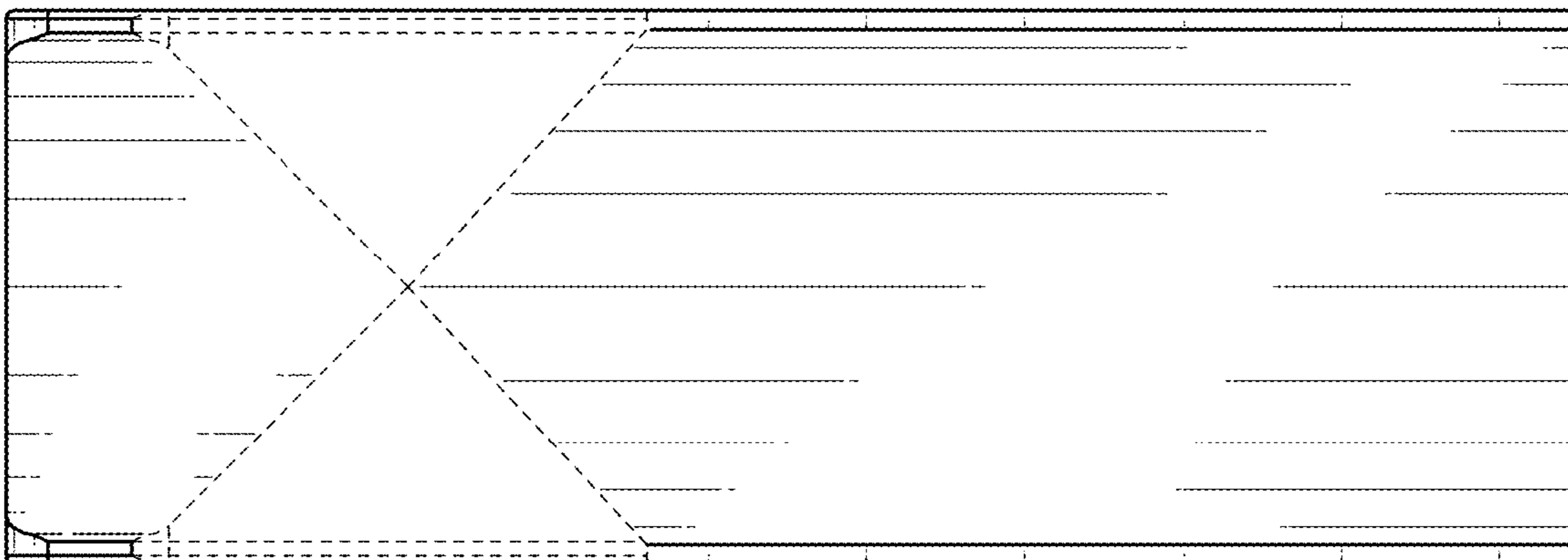


FIG. 23