



US00D927775S

(12) **United States Design Patent** (10) **Patent No.:** **US D927,775 S**
Hur (45) **Date of Patent:** **** Aug. 10, 2021**

(54) **TOBACCO PIPE**

D650,520 S * 12/2011 Timmermans D27/163
D881,464 S * 4/2020 Lin D27/194
2016/0205994 A1* 7/2016 Lin A24C 5/425

(71) Applicant: **Dae Hyun Hur**, Seoul (KR)

(72) Inventor: **Dae Hyun Hur**, Seoul (KR)

(**) Term: **15 Years**

(21) Appl. No.: **29/715,948**

(22) Filed: **Dec. 5, 2019**

(30) **Foreign Application Priority Data**

Nov. 5, 2019 (KR) 30-2019-0052548

(51) **LOC (13) Cl.** **27-02**

(52) **U.S. Cl.**
USPC **D27/163**

(58) **Field of Classification Search**
USPC D27/162, 100, 101, 163-170, 172,
D27/174-176, 185-194; D13/103, 107;
D23/360, 363, 366; D24/110, 100.5
CPC A24F 1/30; A24F 1/02; A24F 1/00; A24F
47/008; A24F 47/002
See application file for complete search history.

(56) **References Cited**

U.S. PATENT DOCUMENTS

D255,943 S * 7/1980 Hernandez D27/194
D447,276 S * 8/2001 Gustafson D27/165

OTHER PUBLICATIONS

Keyboard Piano Pro by: YAMAHA found on line Jan. 5, 2020
<https://keyboardpianopro.com/best-piano-keyboards-under-300/> Dec.
31, 2020.*

* cited by examiner

Primary Examiner — Marissa J Cash
Assistant Examiner — Rebecca Tsehaye
(74) *Attorney, Agent, or Firm* — Rabin & Berdo, P.C.

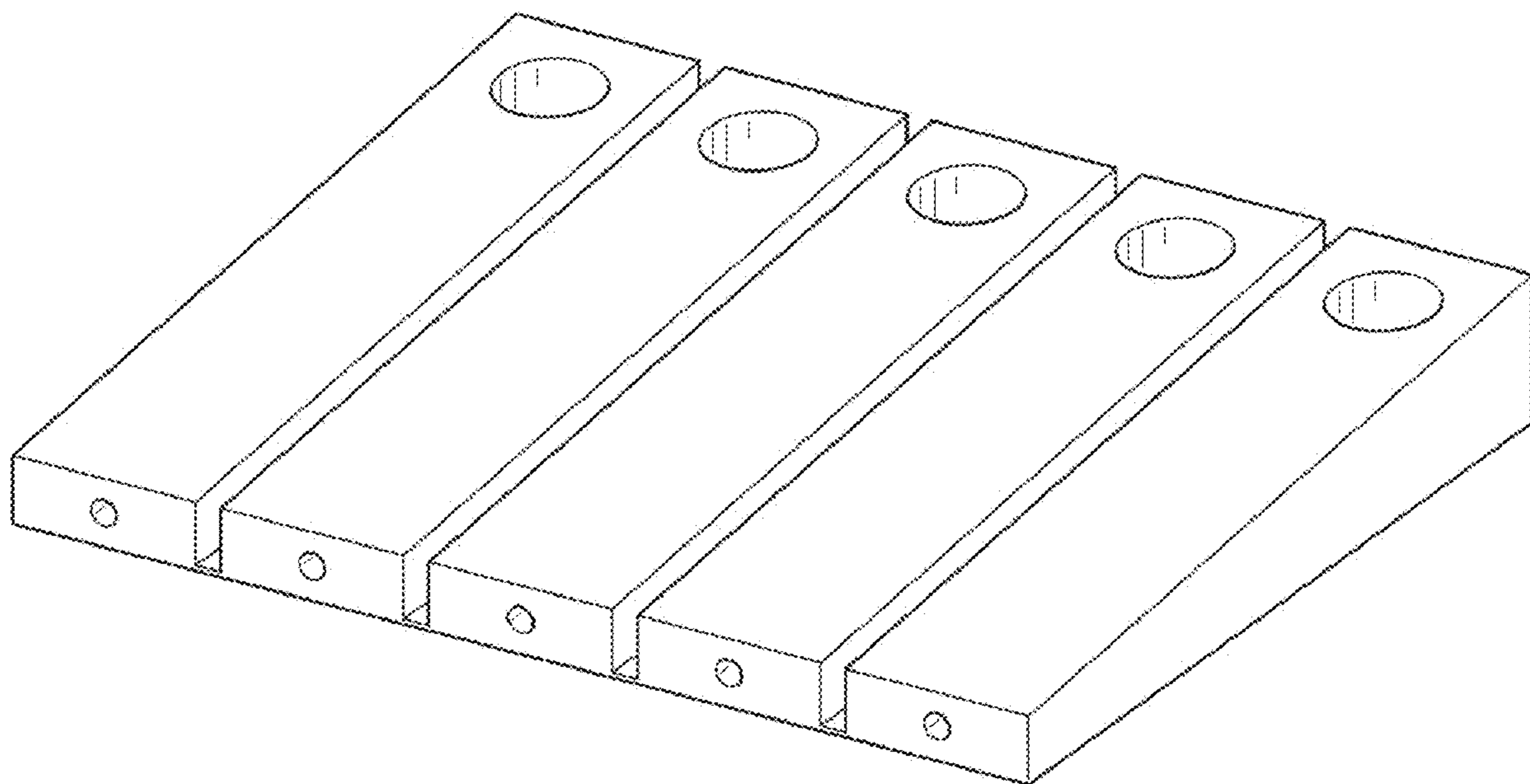
(57) **CLAIM**

The ornamental design for a tobacco pipe, as shown and described.

DESCRIPTION

FIG. 1 is a perspective view of a tobacco pipe;
FIG. 2 is another perspective view thereof;
FIG. 3 is a front view thereof;
FIG. 4 is a rear view thereof;
FIG. 5 is a left side view thereof;
FIG. 6 is a right side view thereof;
FIG. 7 is a top view thereof; and,
FIG. 8 is a bottom view thereof.

1 Claim, 4 Drawing Sheets



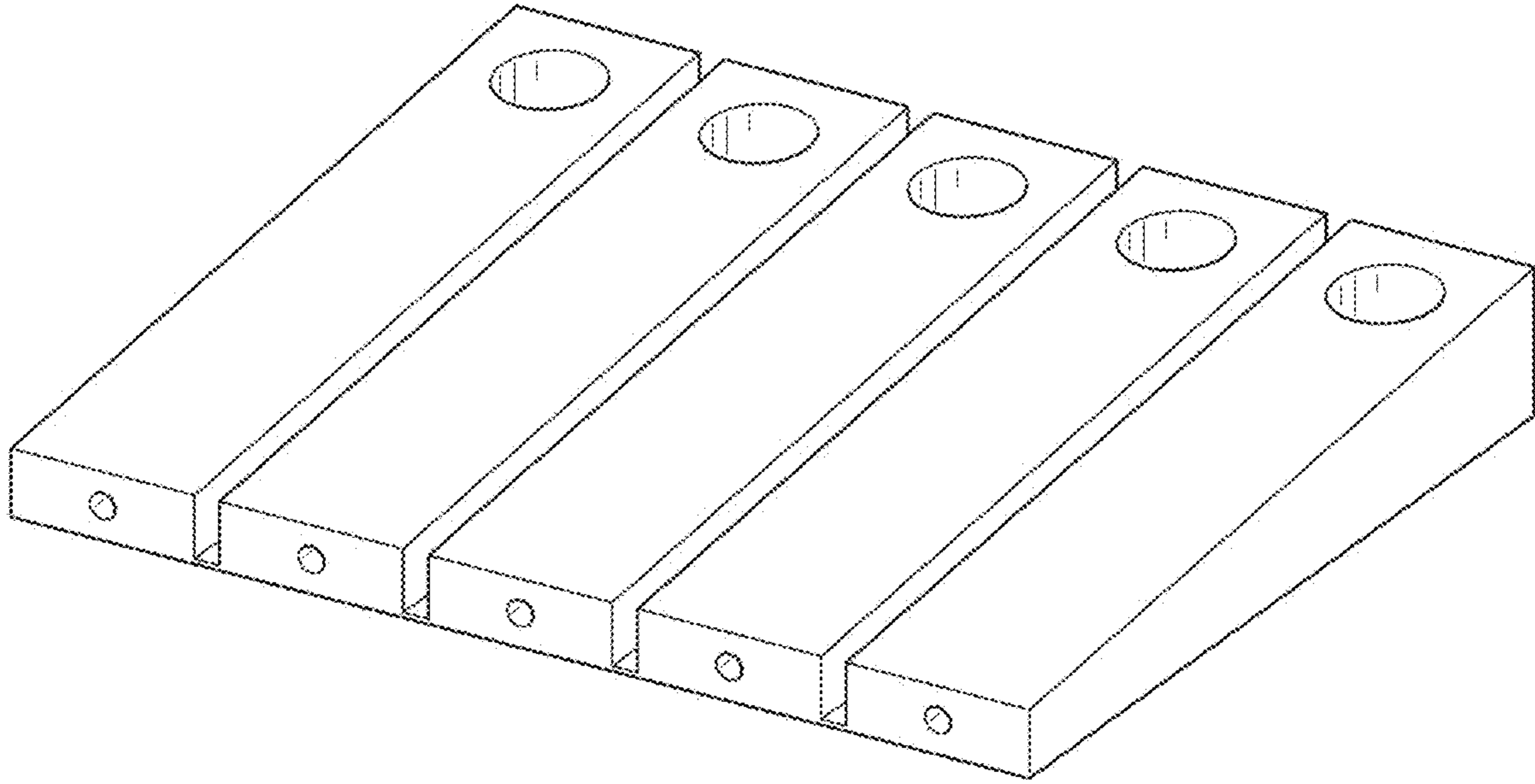


FIG. 1

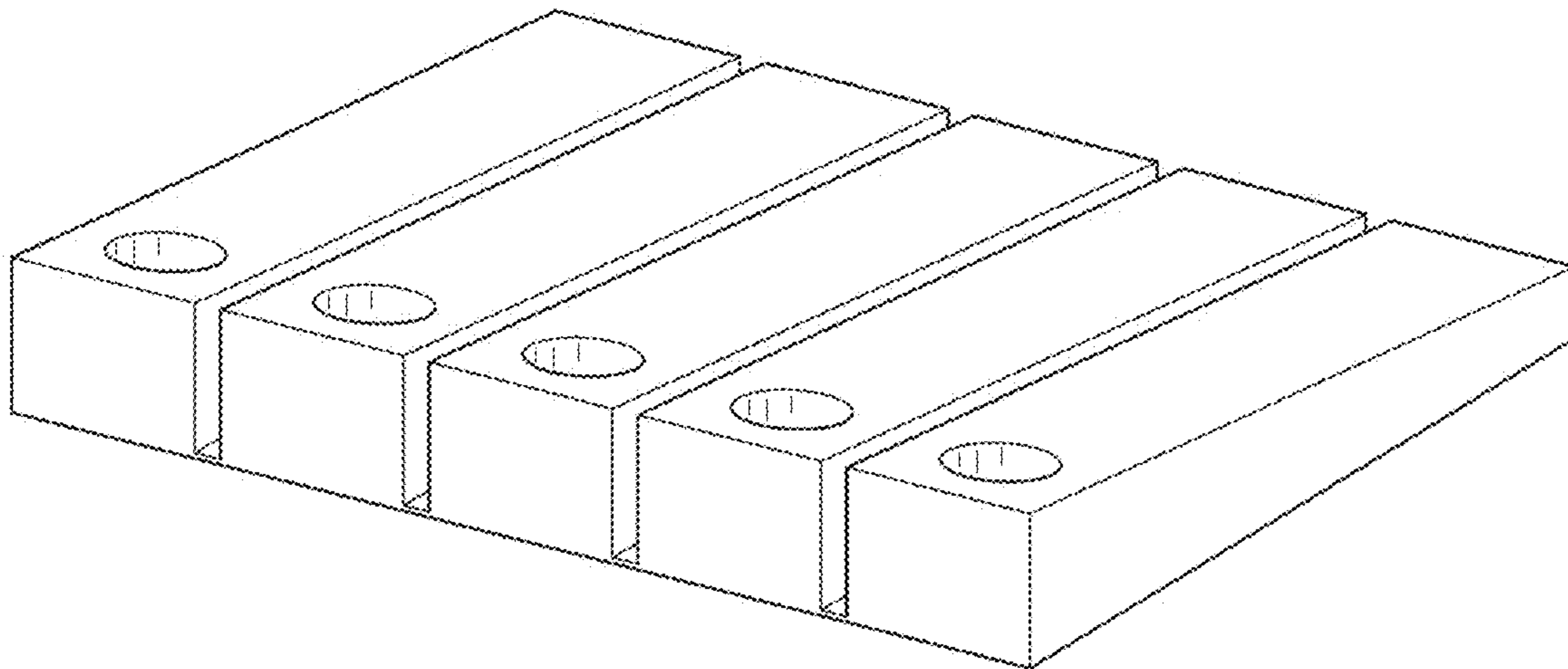


FIG. 2

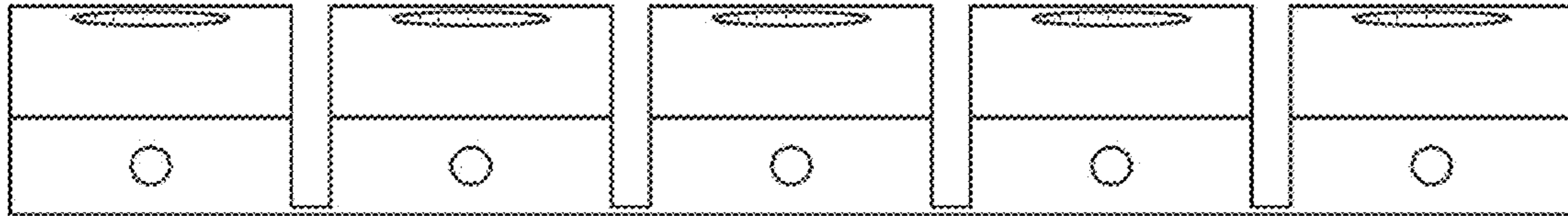


FIG. 3



FIG. 4

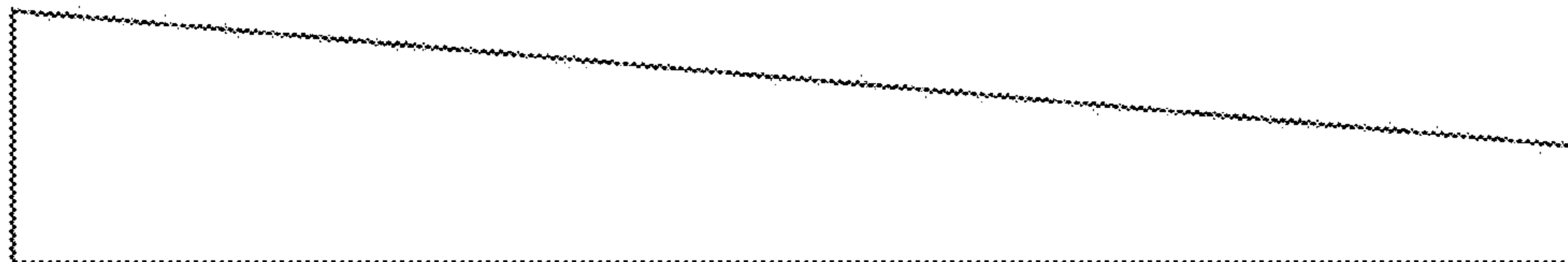


FIG. 5

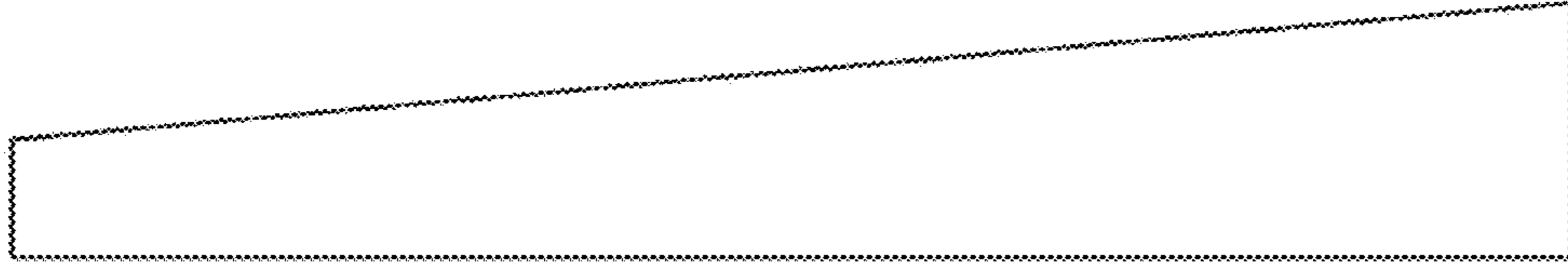


FIG. 6

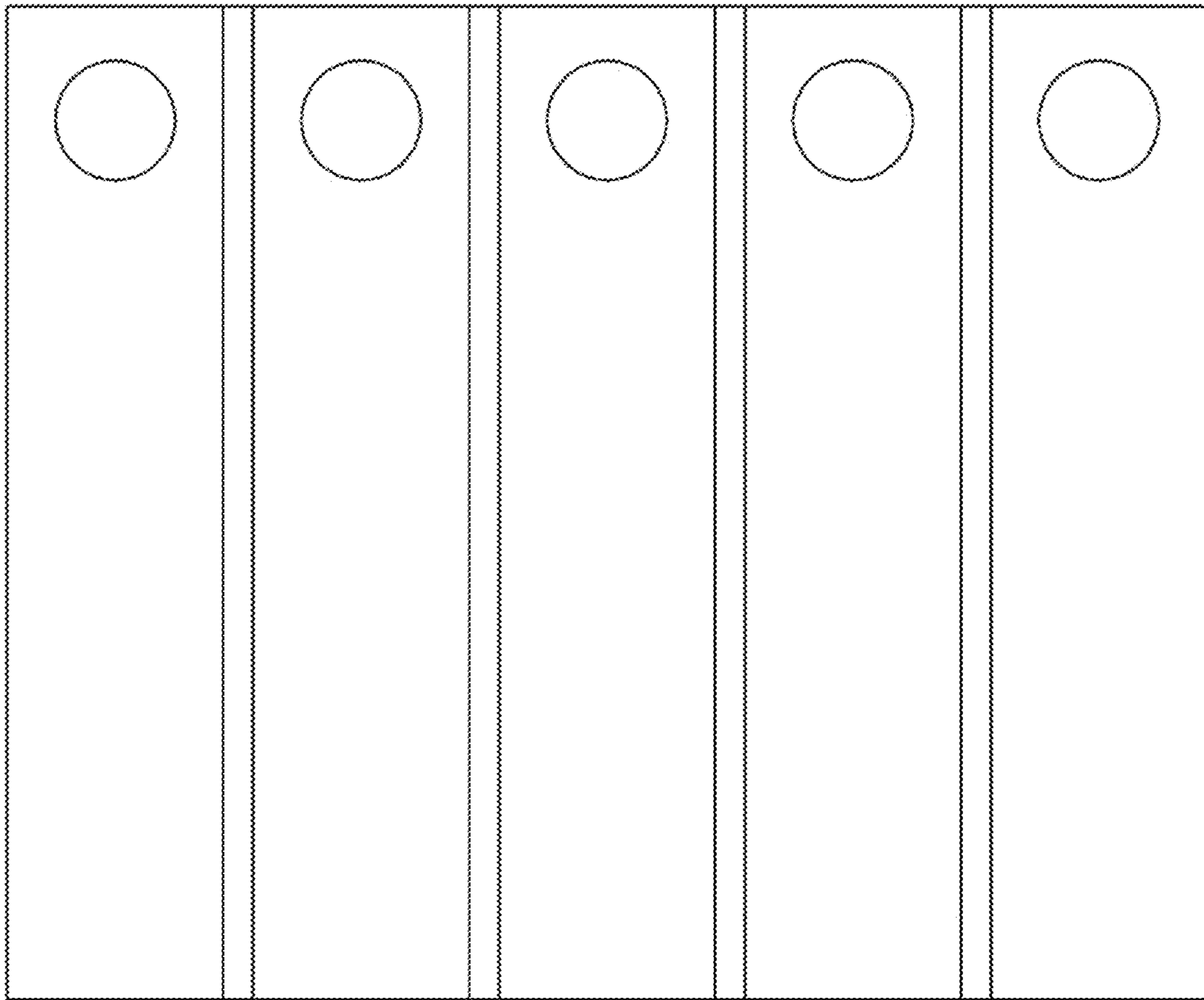


FIG. 7

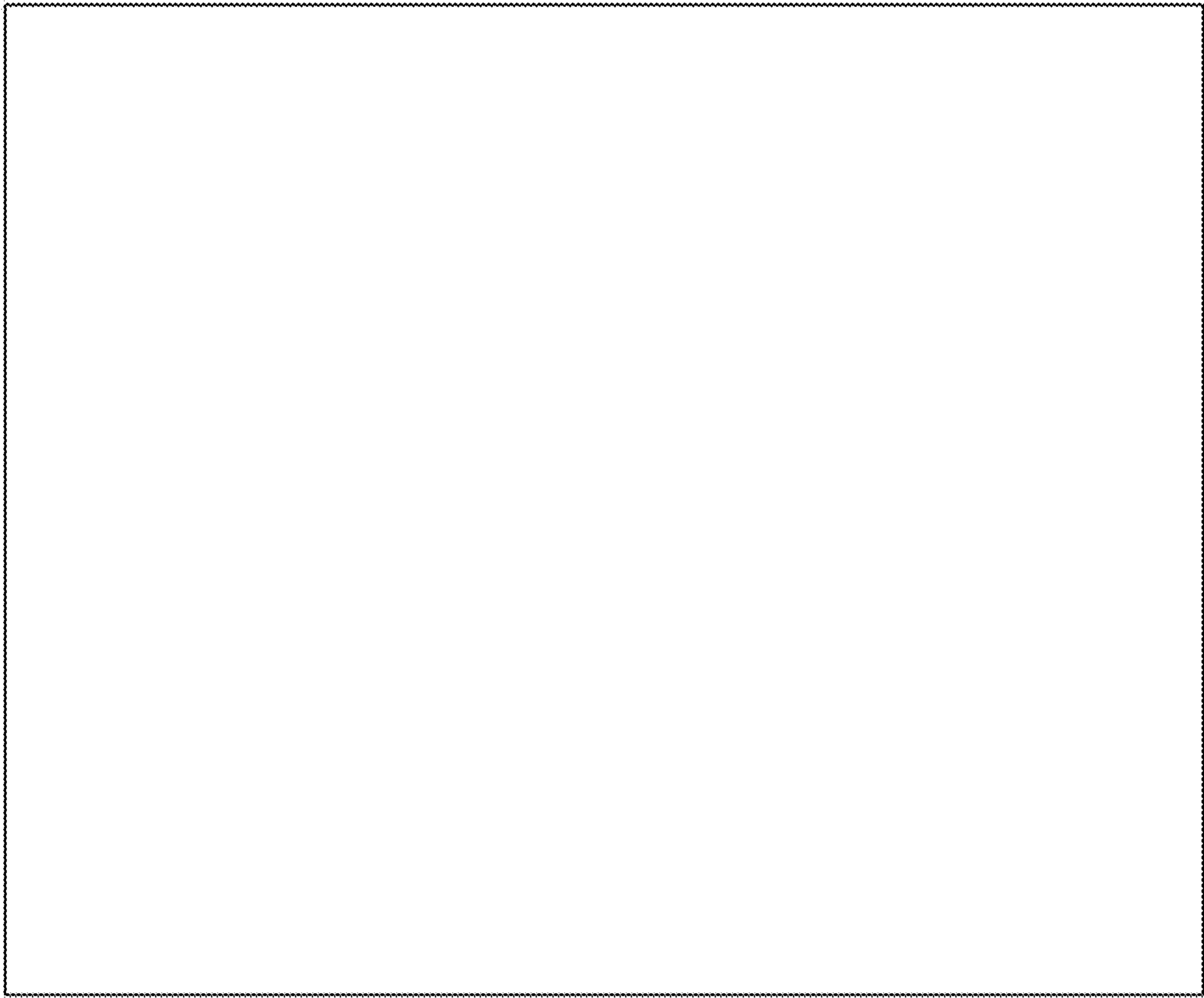


FIG. 8