



US00D927772S

(12) **United States Design Patent**
Han

(10) **Patent No.:** **US D927,772 S**

(45) **Date of Patent:** **** Aug. 10, 2021**

(54) **ELECTRONIC CIGARETTE**

(71) Applicant: **Shenzhen Smoore Technology Limited**, Guandong (CN)

(72) Inventor: **Jiyun Han**, Guandong (CN)

(73) Assignee: **SHENZHEN SMOORE TECHNOLOGY LIMITED**, Shenzhen (CN)

(**) Term: **15 Years**

(21) Appl. No.: **29/685,554**

(22) Filed: **Mar. 28, 2019**

(30) **Foreign Application Priority Data**

Sep. 30, 2018 (CN) 201830555656.9

(51) **LOC (13) Cl.** **27-02**

(52) **U.S. Cl.**
USPC **D27/162**

(58) **Field of Classification Search**
USPC D27/162, 100, 101, 139, 141, 148,
D27/161-171, 183, 185-193, 194;
(Continued)

(56) **References Cited**

U.S. PATENT DOCUMENTS

D386,564 S * 11/1997 Mycroft D23/355
D462,296 S * 9/2002 Bates D11/143
(Continued)

Primary Examiner — Dana K Weiland
Assistant Examiner — Mary Claire Ramirez

(57) **CLAIM**

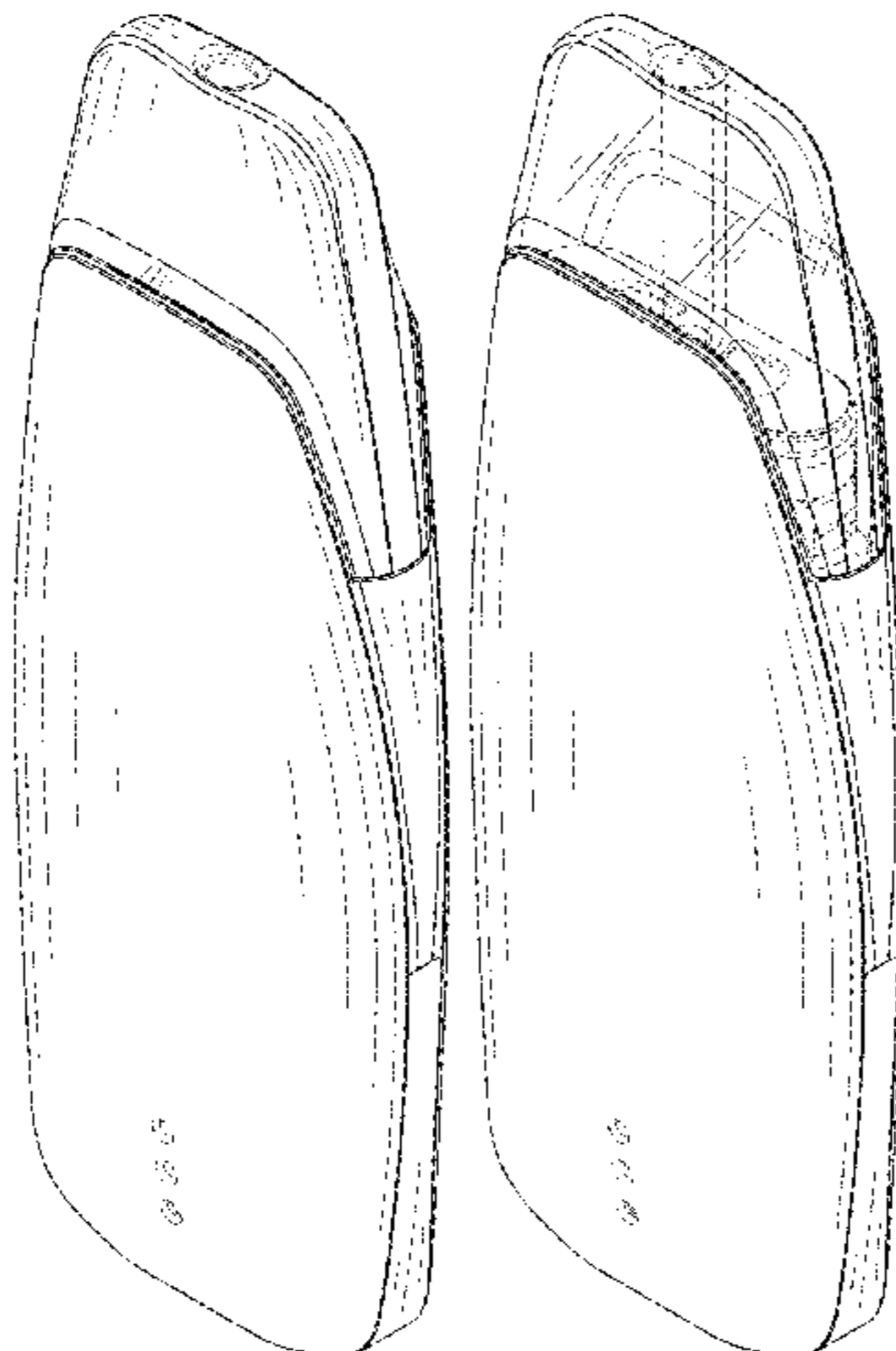
The ornamental design for an electronic cigarette, as shown and described.

DESCRIPTION

FIG. 1 is a perspective view of the atomizer of the first embodiment of the electronic cigarette shown removed from the assembly in FIG. 15 to show portions not otherwise visible when combined;

FIG. 2 is a front elevational view thereof;
FIG. 3 is a rear elevational view thereof;
FIG. 4 is a left side elevational view thereof;
FIG. 5 is a right side elevational view thereof;
FIG. 6 is a top plan view thereof;
FIG. 7 is a bottom plan view thereof;
FIG. 8 is a perspective view of the power supply device of the first embodiment of the electronic cigarette shown removed from the assembly in FIG. 15 to show portions not otherwise visible when combined;
FIG. 9 is a front elevational view thereof;
FIG. 10 is a rear elevational view thereof;
FIG. 11 is a left side elevational view thereof;
FIG. 12 is a right side elevational view thereof;
FIG. 13 is a top plan view thereof;
FIG. 14 is a bottom plan view thereof;
FIG. 15 is a perspective view of the first embodiment of the electronic cigarette showing the atomizer and the power supply device assembled in a state of use;
FIG. 16 is a front elevational view thereof;
FIG. 17 is a rear elevational view thereof;
FIG. 18 is a left side elevational view thereof;
FIG. 19 is a right side elevational view thereof;
FIG. 20 is a top plan view thereof;
FIG. 21 is a bottom plan view thereof;
FIG. 22 is a perspective view of the atomizer of the second embodiment of the electronic cigarette shown removed from the assembly in FIG. 29 to show portions not otherwise visible when combined;
FIG. 23 is a front elevational view thereof;
FIG. 24 is a rear elevational view thereof;
FIG. 25 is a left side elevational view thereof;
FIG. 26 is a right side elevational view thereof;
FIG. 27 is a top plan view thereof;
FIG. 28 is a bottom plan view thereof;
FIG. 29 is a perspective view of the second embodiment of the electronic cigarette showing the atomizer and the power supply device assembled in a state of use;
FIG. 30 is a front elevational view thereof;
FIG. 31 is a rear elevational view thereof;
FIG. 32 is a left side elevational view thereof;
FIG. 33 is a right side elevational view thereof;
FIG. 34 is a top plan view thereof; and,
FIG. 35 is a bottom plan view thereof.

(Continued)



The long dash-short dash broken lines represent boundaries of the claimed design, the long dash-short dash broken lines themselves form no part of the claimed design, and the portion within the long dash-short dash broken lines forms no part of the claimed design.

The dash-dash broken lines in the drawings depict portions of the electronic cigarette that form no part of the claimed design.

The oblique lines in the drawings indicate transparency.

1 Claim, 30 Drawing Sheets

(58) **Field of Classification Search**

USPC D24/110, 110.5, 129, 113, 112; D13/108, D13/144, 103, 119, 146, 168; D23/360, D23/364-366, 202, 262, 209, 207; D19/66, 73, 115, 123, 173, 177, 923, D19/925-929, 934, 161-166, 194-196; D14/434, 480.5, 480.1, 480.3, 483, 484.1, D14/420, 426, 250, 137, 203.1, 203.3, D14/203.7, 218, 254, 411, 433-435, D14/435.1; D4/121; D9/500, 503, 504, D9/516, 517, 522, 523, 530, 531, 560, D9/444; D11/143, 156, 146, 54, 152, D11/149, 144; D28/85, 4, 7, 88, 90, D28/73-76, 77; D3/201, 11, 13, 17, 273, D3/274, 300
CPC A24F 40/00; A24F 40/40; A24F 40/42; A24F 40/05; A24F 40/46; A24F 47/002; A24F 47/008; A24D 1/14; A24D 1/042; A24D 1/02; G06F 3/03545

See application file for complete search history.

(56)

References Cited

U.S. PATENT DOCUMENTS

D583,374	S	*	12/2008	Otsuka	D14/480.5
D616,496	S	*	5/2010	Liu	D19/163
D691,881	S	*	10/2013	Ivey	D9/424
D705,864	S	*	5/2014	Tong	D19/73
D712,532	S	*	9/2014	Adair	A61L 9/12 D23/366
D714,382	S	*	9/2014	Ryan	D19/133
D757,851	S	*	5/2016	Nichols	D19/163
D811,479	S	*	2/2018	Li	D19/163
D825,834	S	*	8/2018	Chen	D27/101
D846,796	S	*	4/2019	Pan	D27/101
D853,633	S	*	7/2019	Zeng	D27/162
D857,290	S	*	8/2019	Crowe	D27/162
D875,303	S	*	2/2020	Pan	D27/162
D880,053	S	*	3/2020	Han	D27/162
D881,460	S	*	4/2020	Han	D27/162
D889,736	S	*	7/2020	Han	D27/162
D891,691	S	*	7/2020	Chen	D27/162
D892,397	S	*	8/2020	Li	D27/162
D893,094	S	*	8/2020	Wang	D27/162
D908,279	S	*	1/2021	Li	D27/162
D911,600	S	*	2/2021	Chen	D27/162
D918,466	S	*	5/2021	Yan	D27/162
2009/0294476	A1	*	12/2009	Koenig	B05B 11/0027 222/182
2019/0053542	A1	*	2/2019	Chen	A61M 11/042
2019/0297946	A1	*	10/2019	Fu	H05B 3/44
2019/0313693	A1	*	10/2019	Wei	B65D 47/283
2019/0350259	A1	*	11/2019	Ouyang	A24F 47/008
2019/0387791	A1	*	12/2019	Pierce	A24D 1/14
2019/0387800	A1	*	12/2019	Lin	A24F 47/008
2020/0077704	A1	*	3/2020	Ouyang	A61M 15/06
2020/0085104	A1	*	3/2020	Scatterday	A24F 47/008
2020/0107583	A1	*	4/2020	Wu	F16B 1/00
2020/0107584	A1	*	4/2020	Li	H05B 3/06
2020/0163390	A1	*	5/2020	Yang	A24F 40/70

* cited by examiner

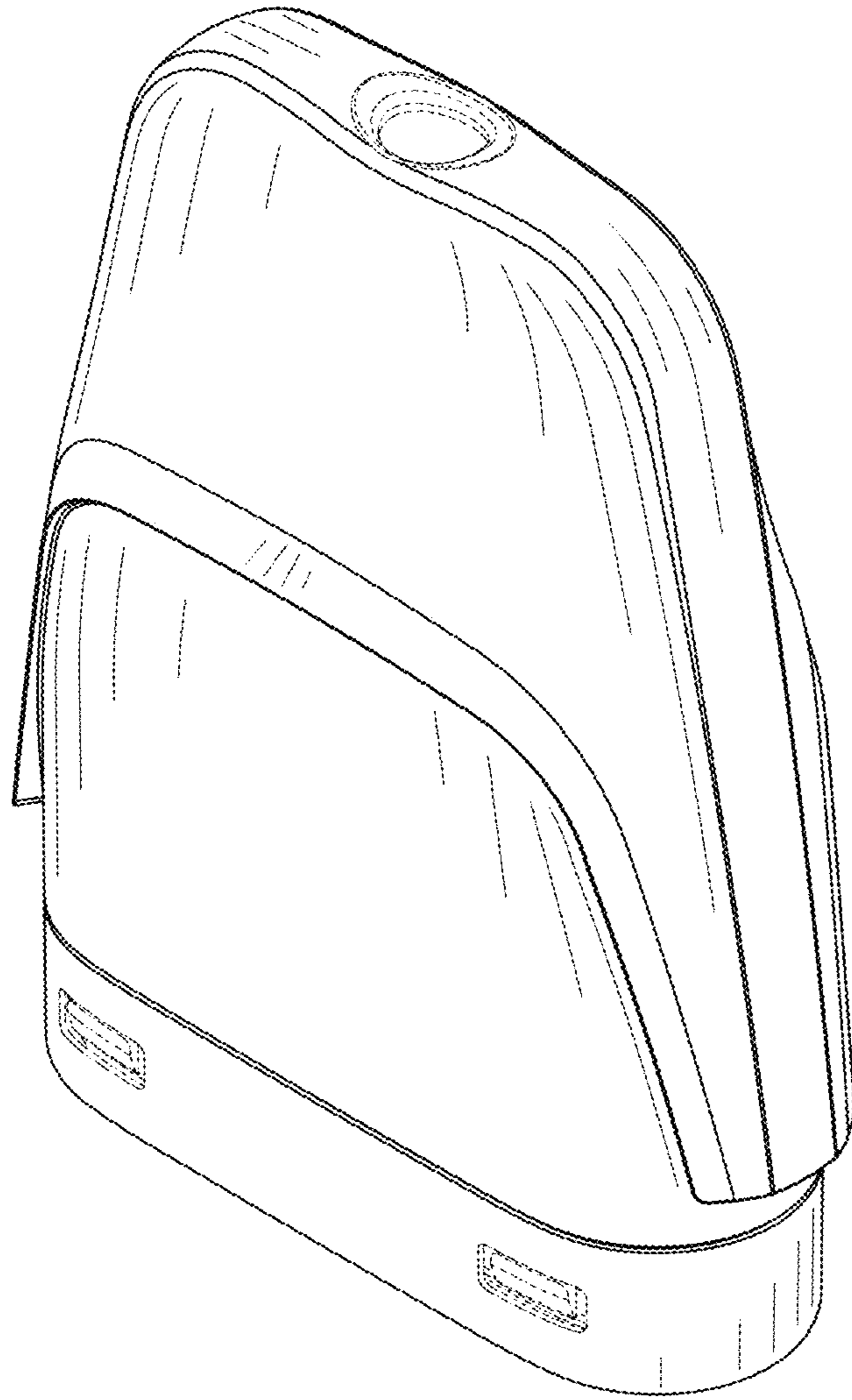


FIG. 1

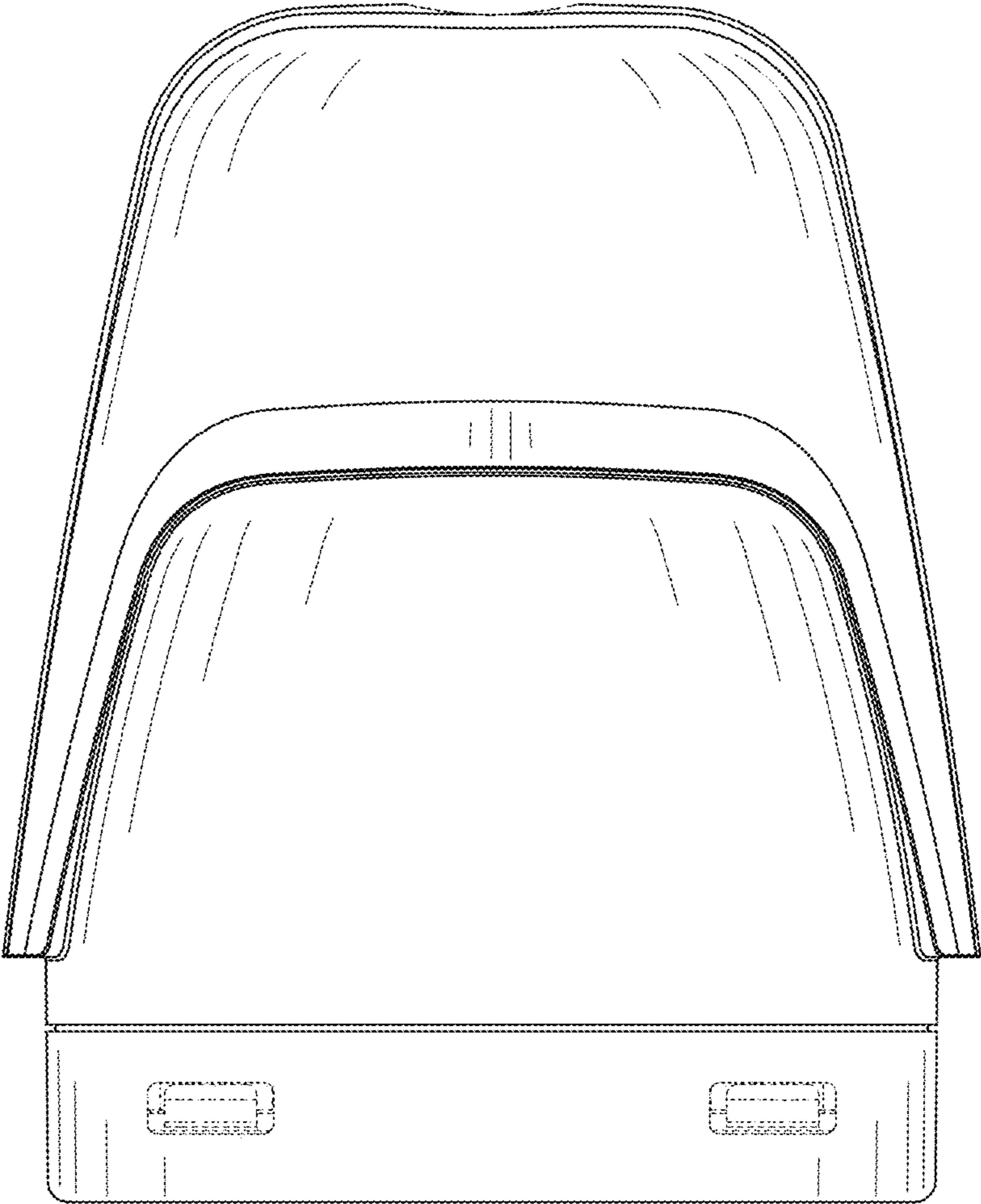


FIG. 2

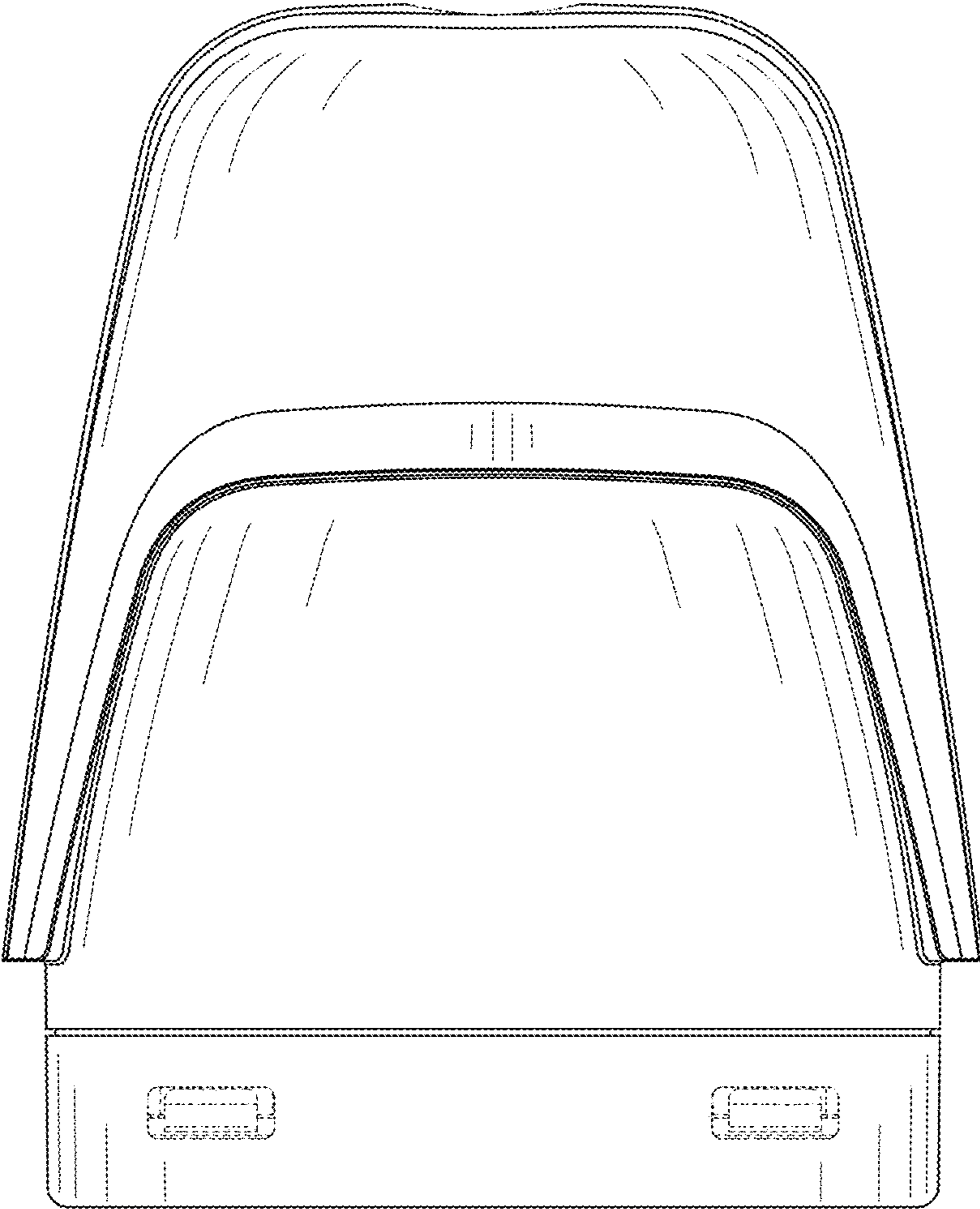


FIG. 3

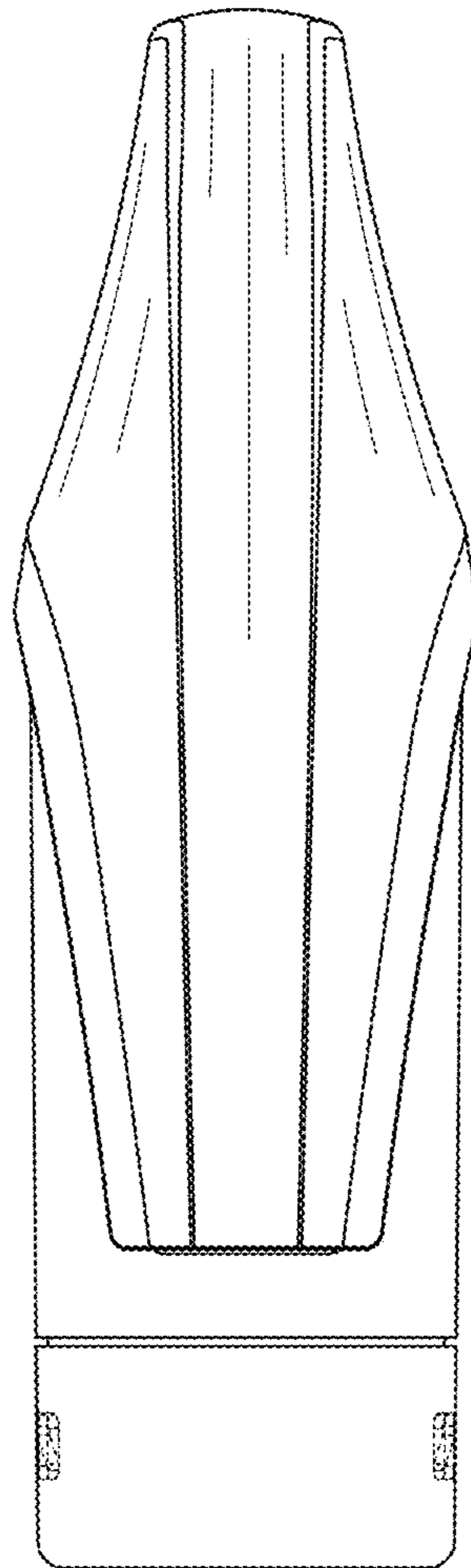


FIG. 4

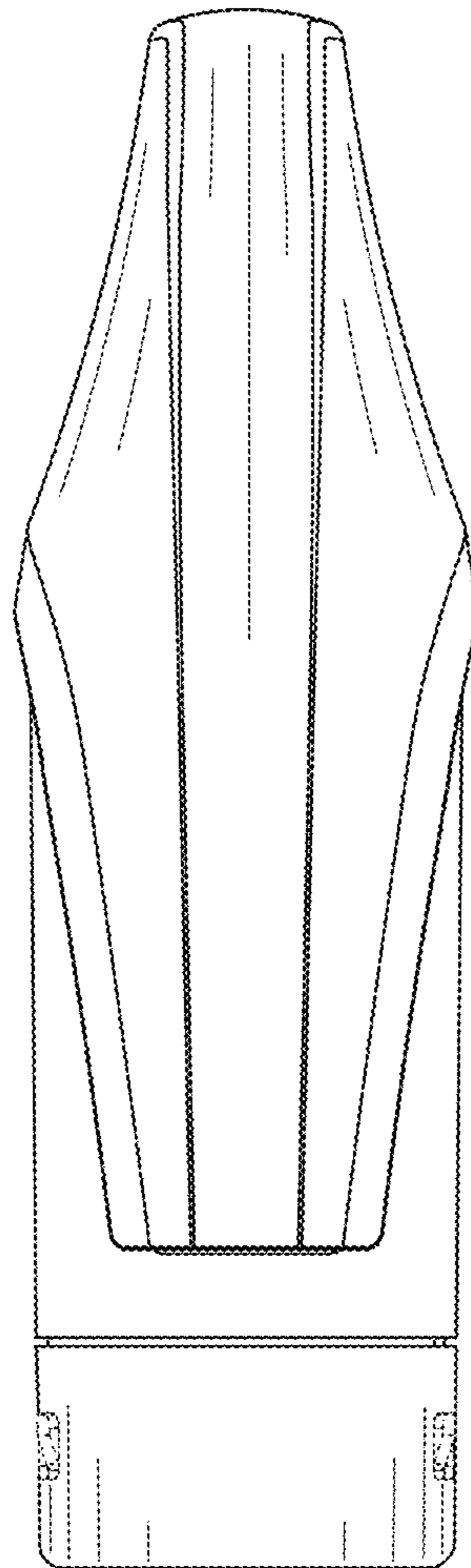


FIG. 5

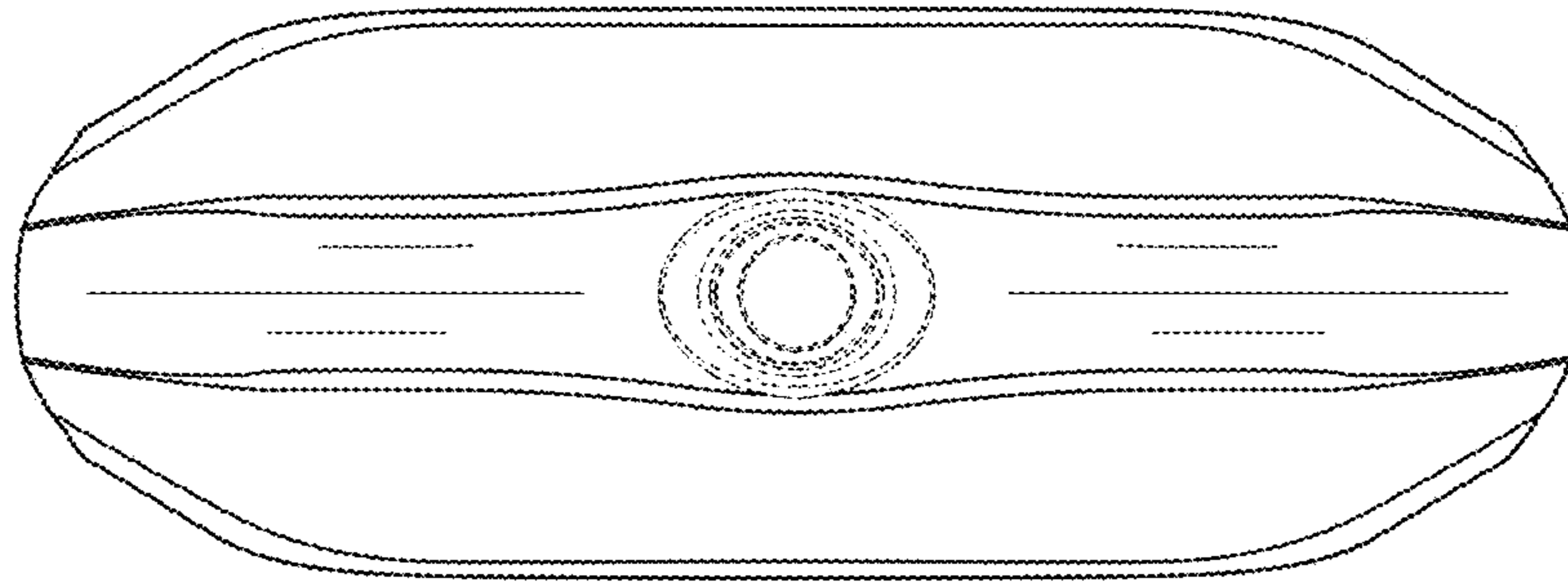


FIG. 6

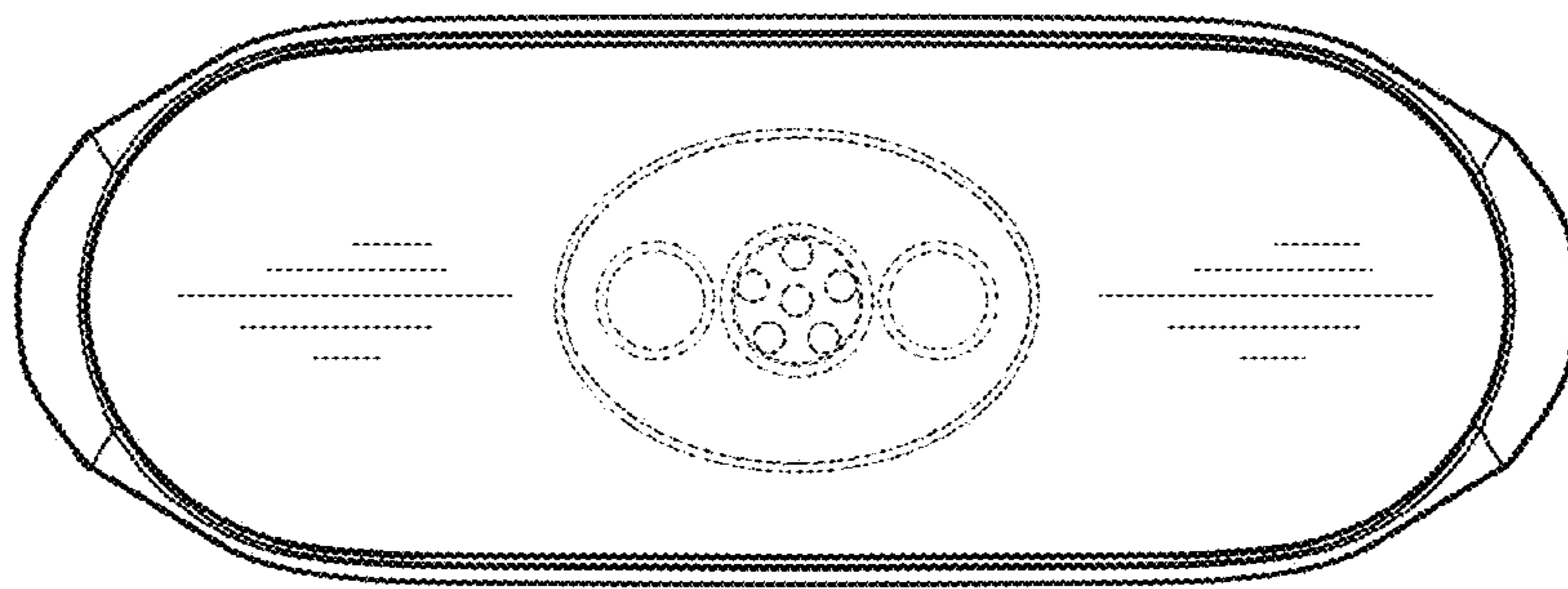


FIG. 7

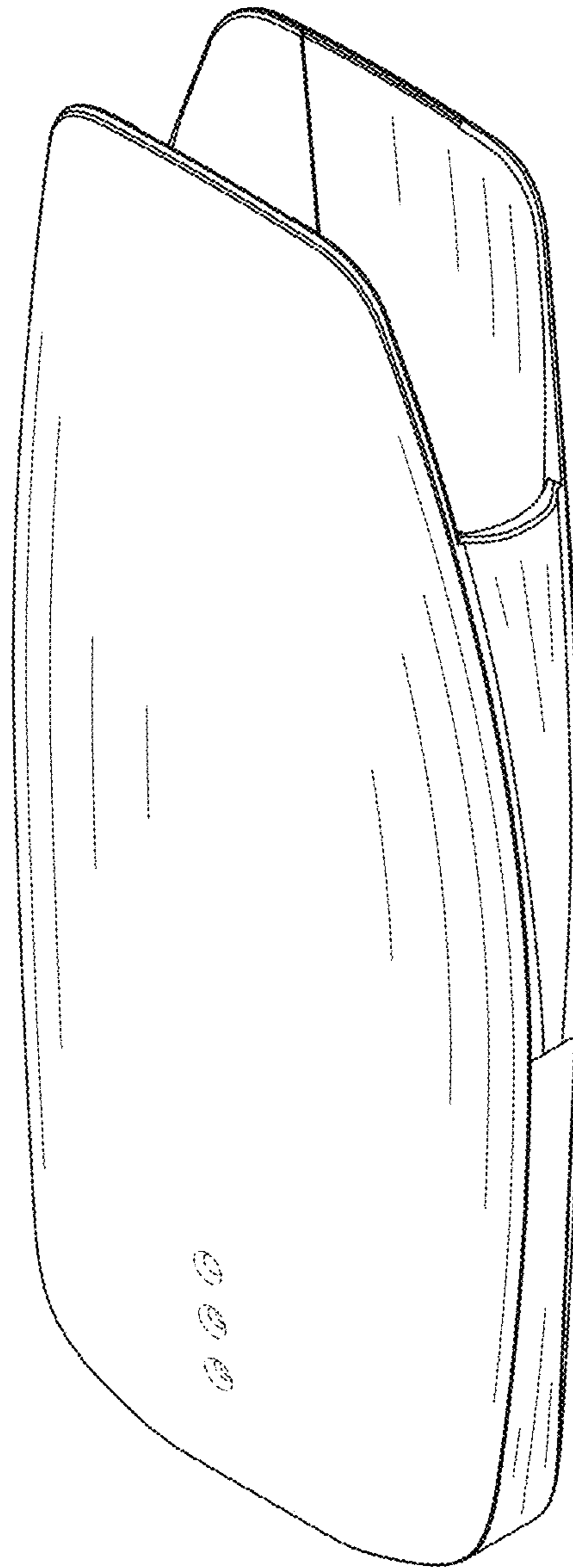


FIG. 8

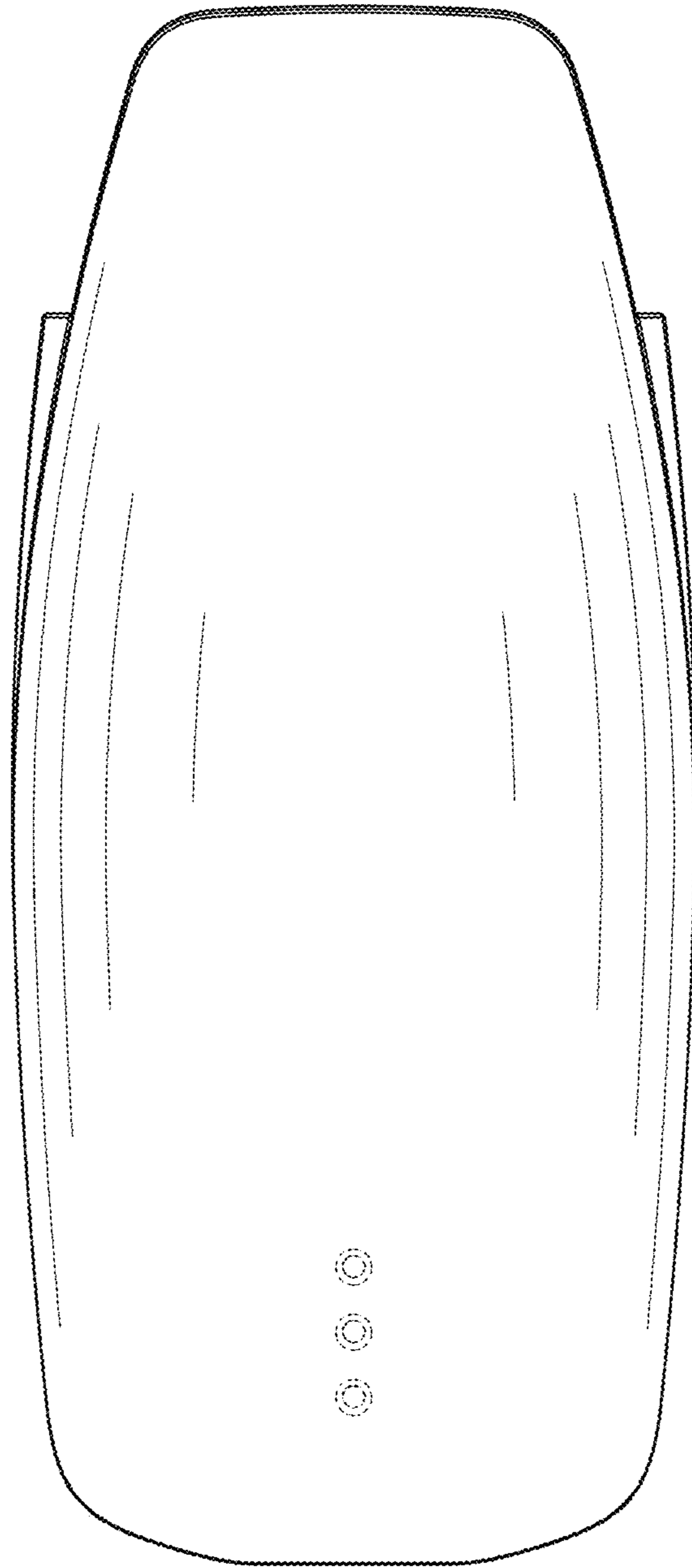


FIG. 9

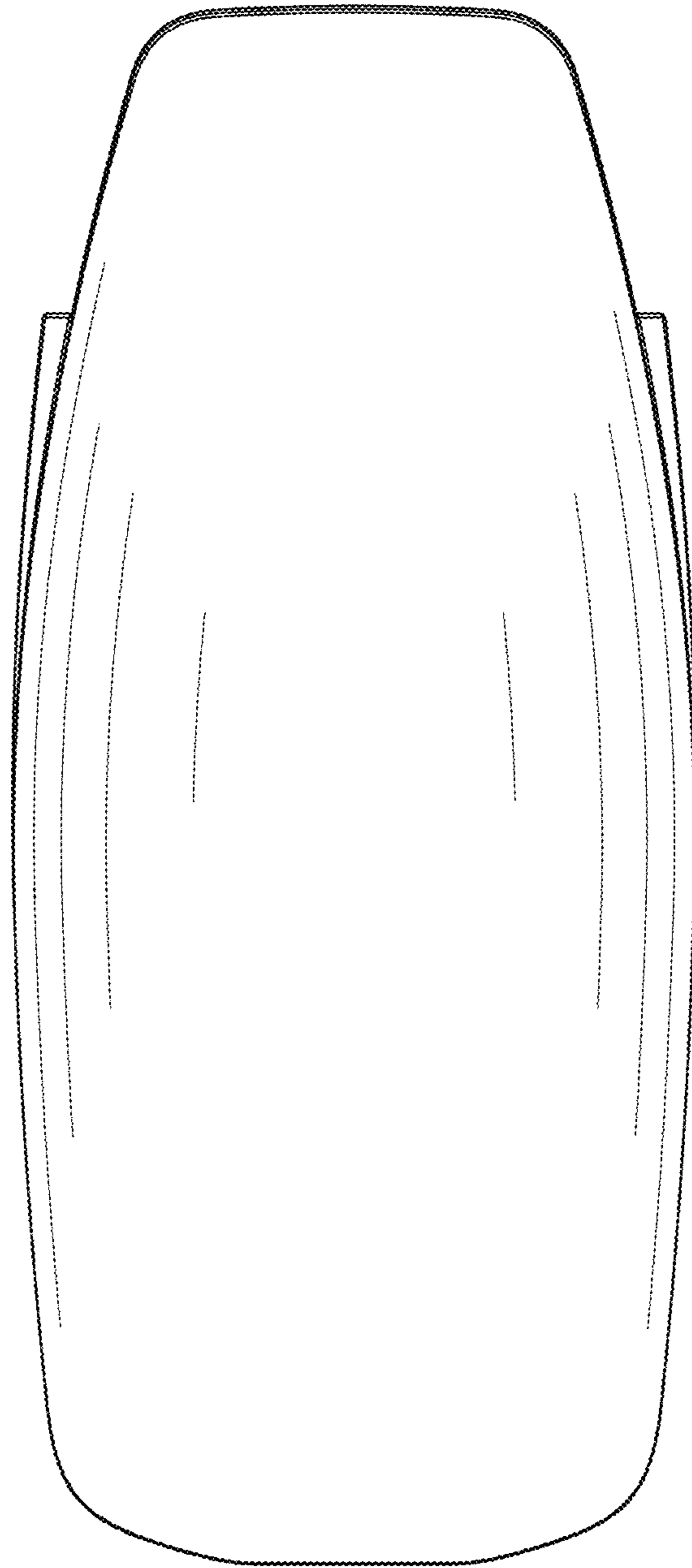


FIG. 10

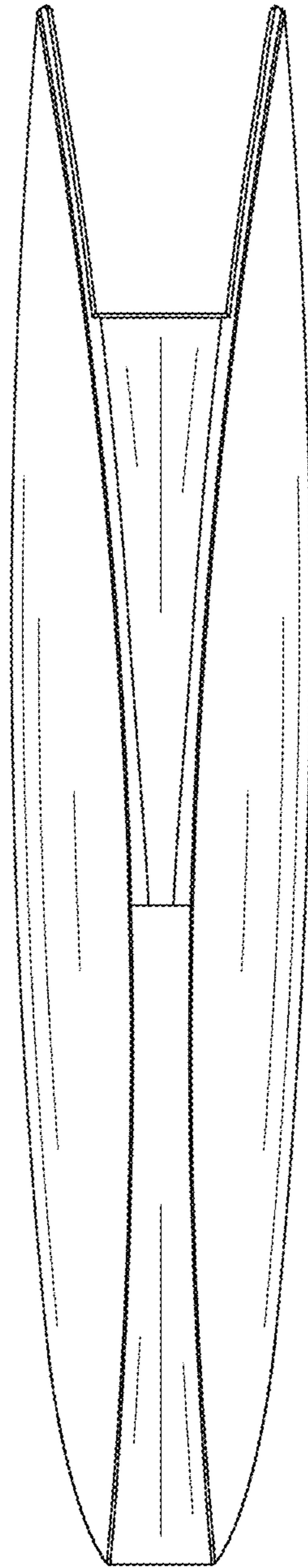


FIG. 11

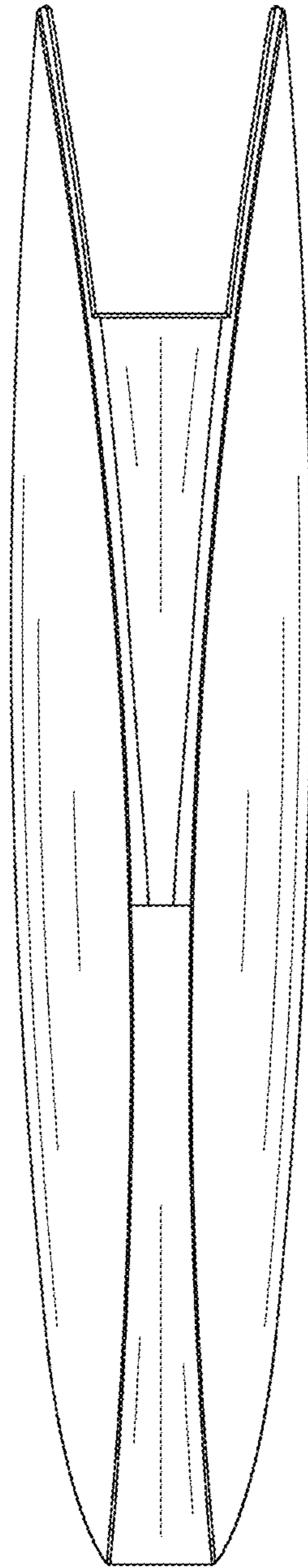


FIG. 12

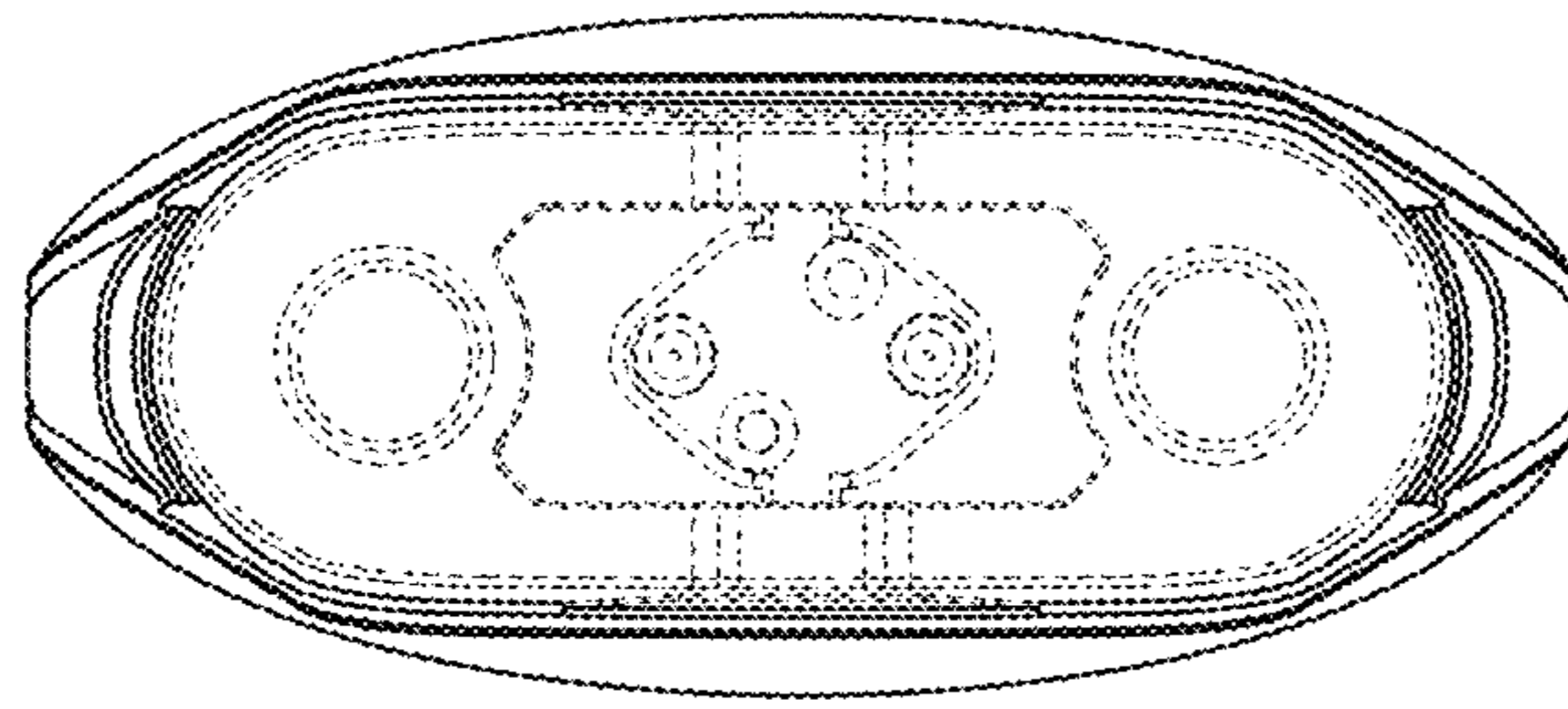


FIG. 13

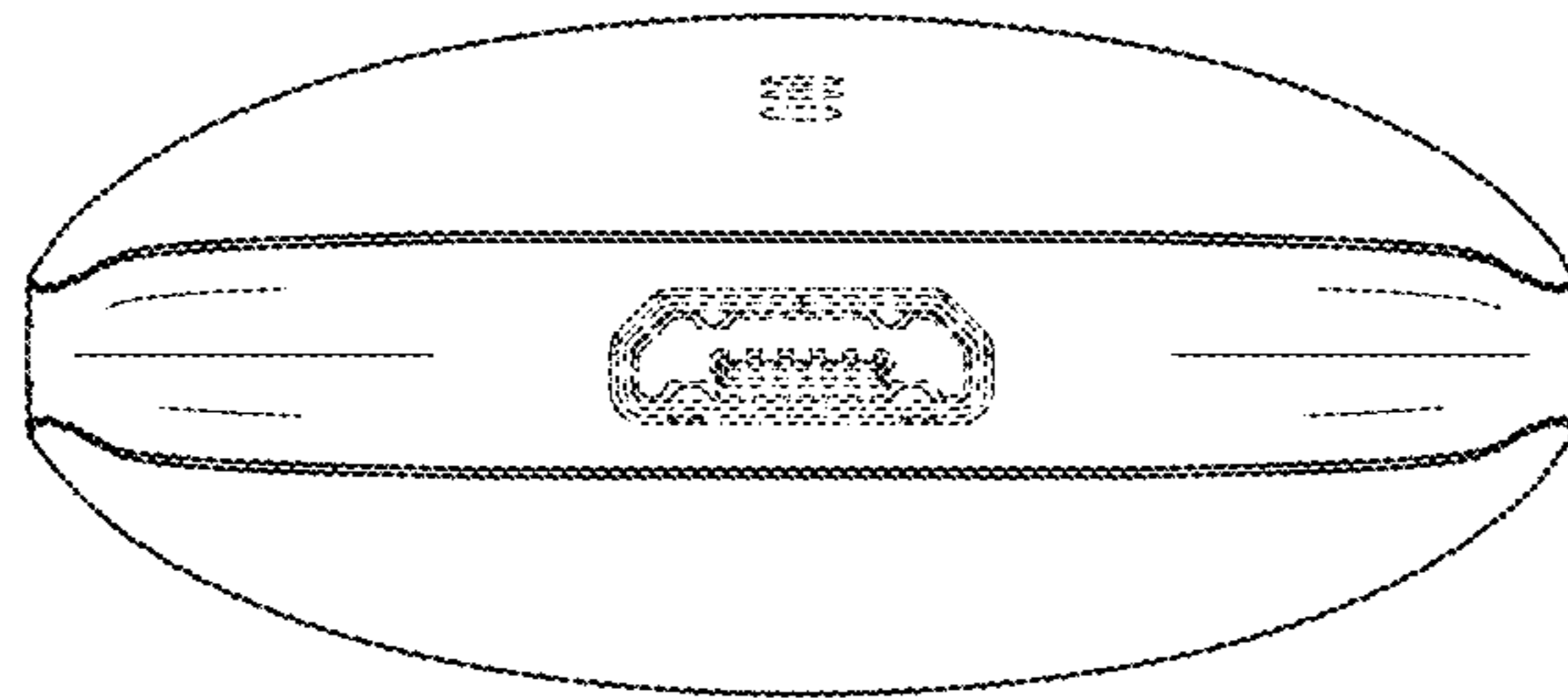


FIG. 14

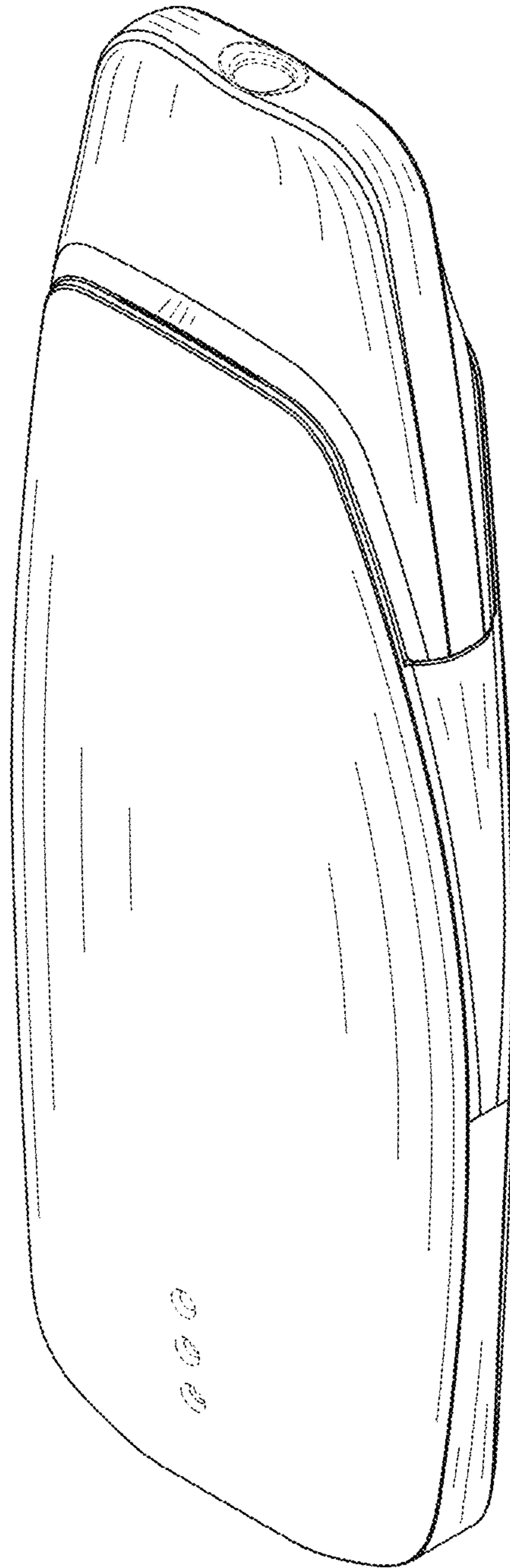


FIG. 15

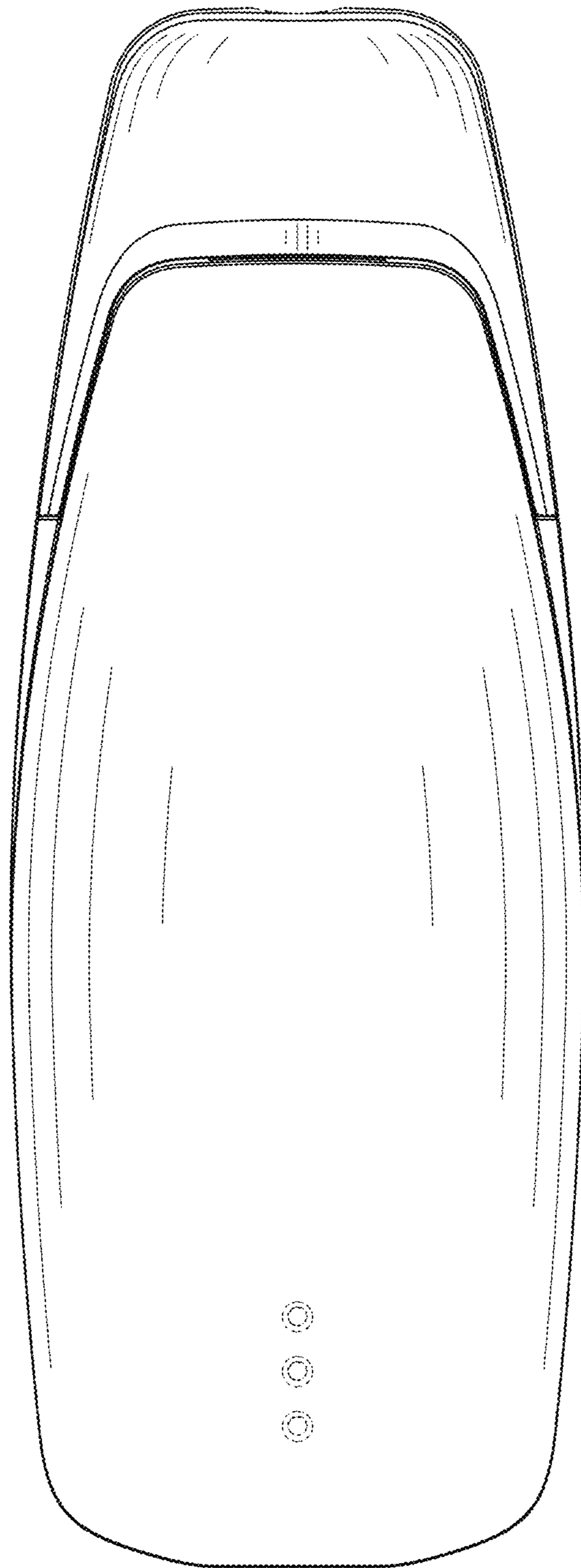


FIG. 16

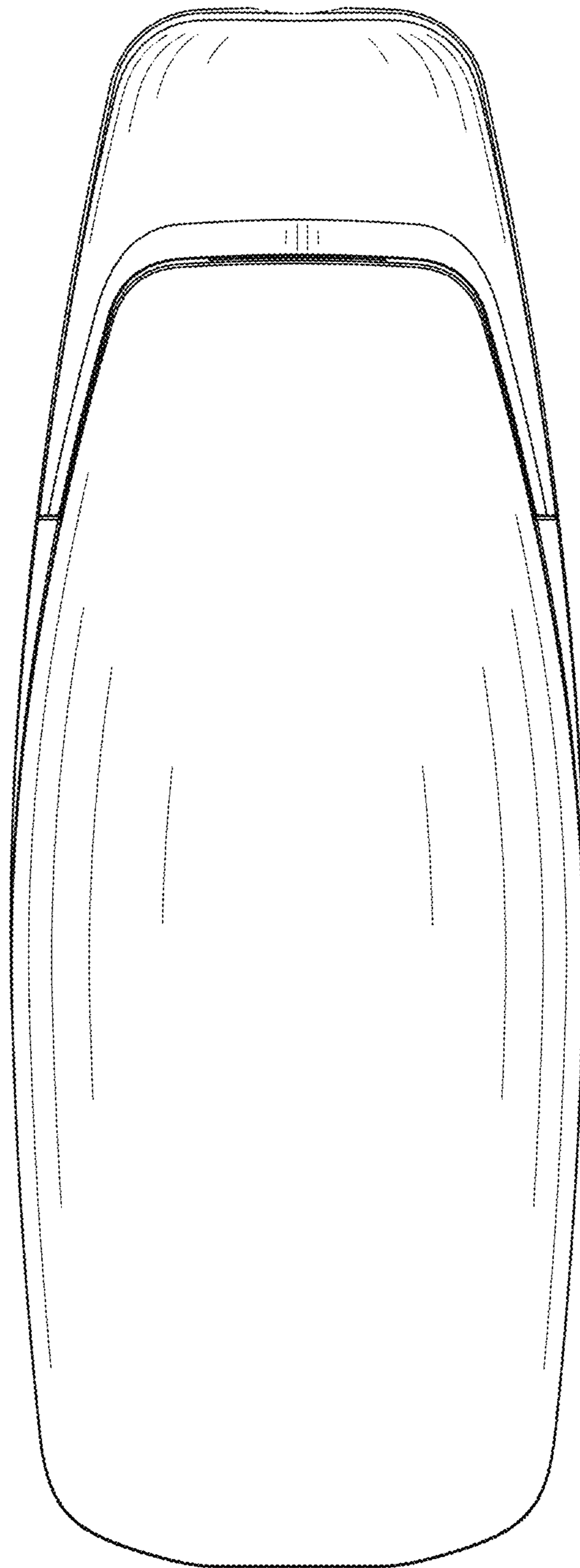


FIG. 17

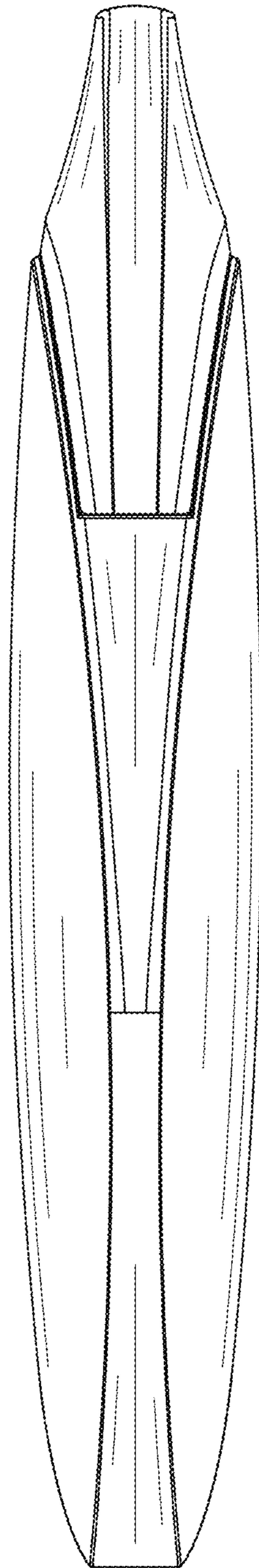


FIG. 18

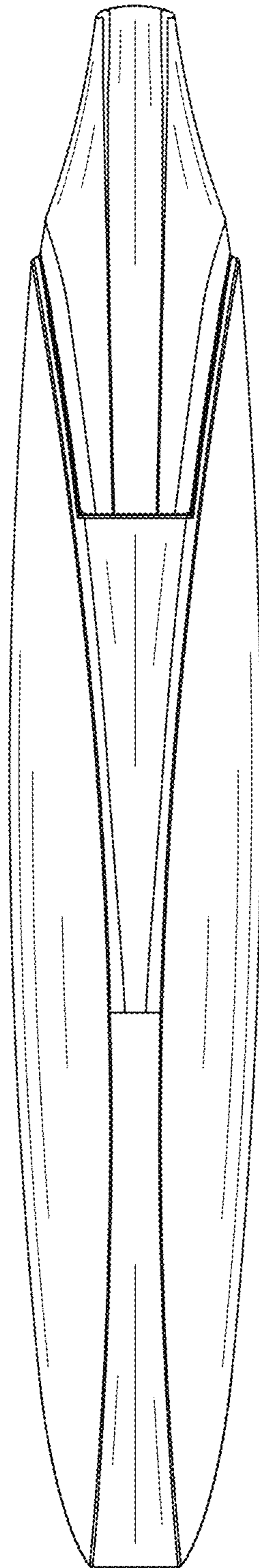


FIG. 19

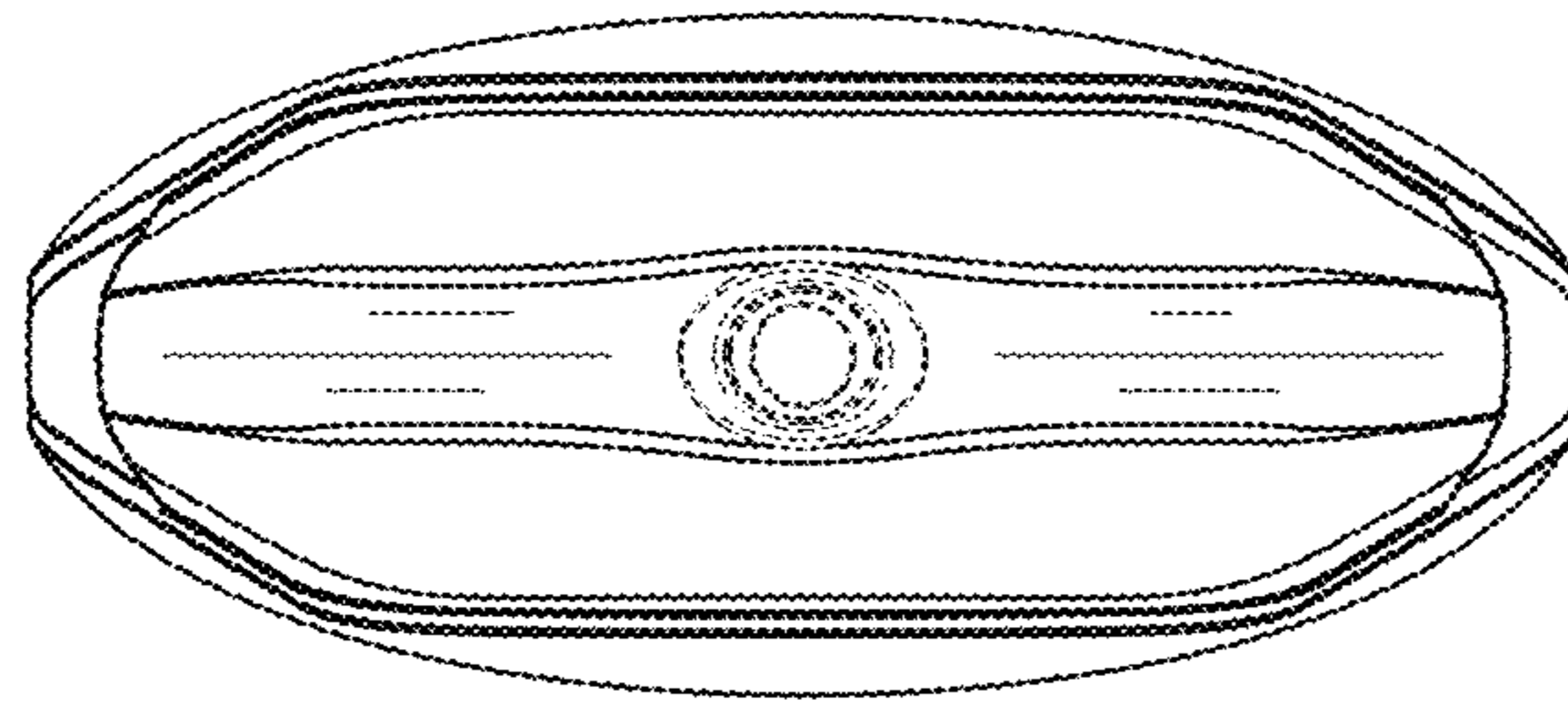


FIG. 20

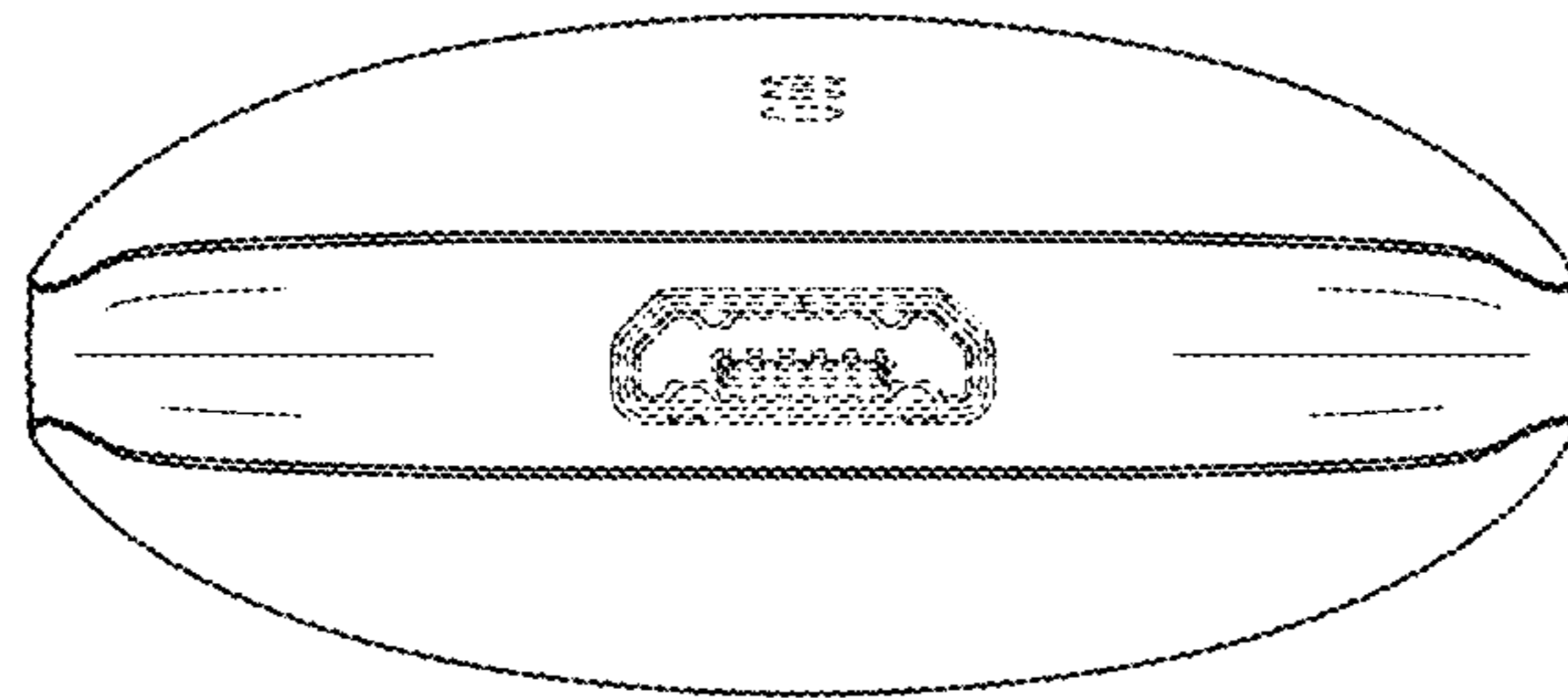


FIG. 21

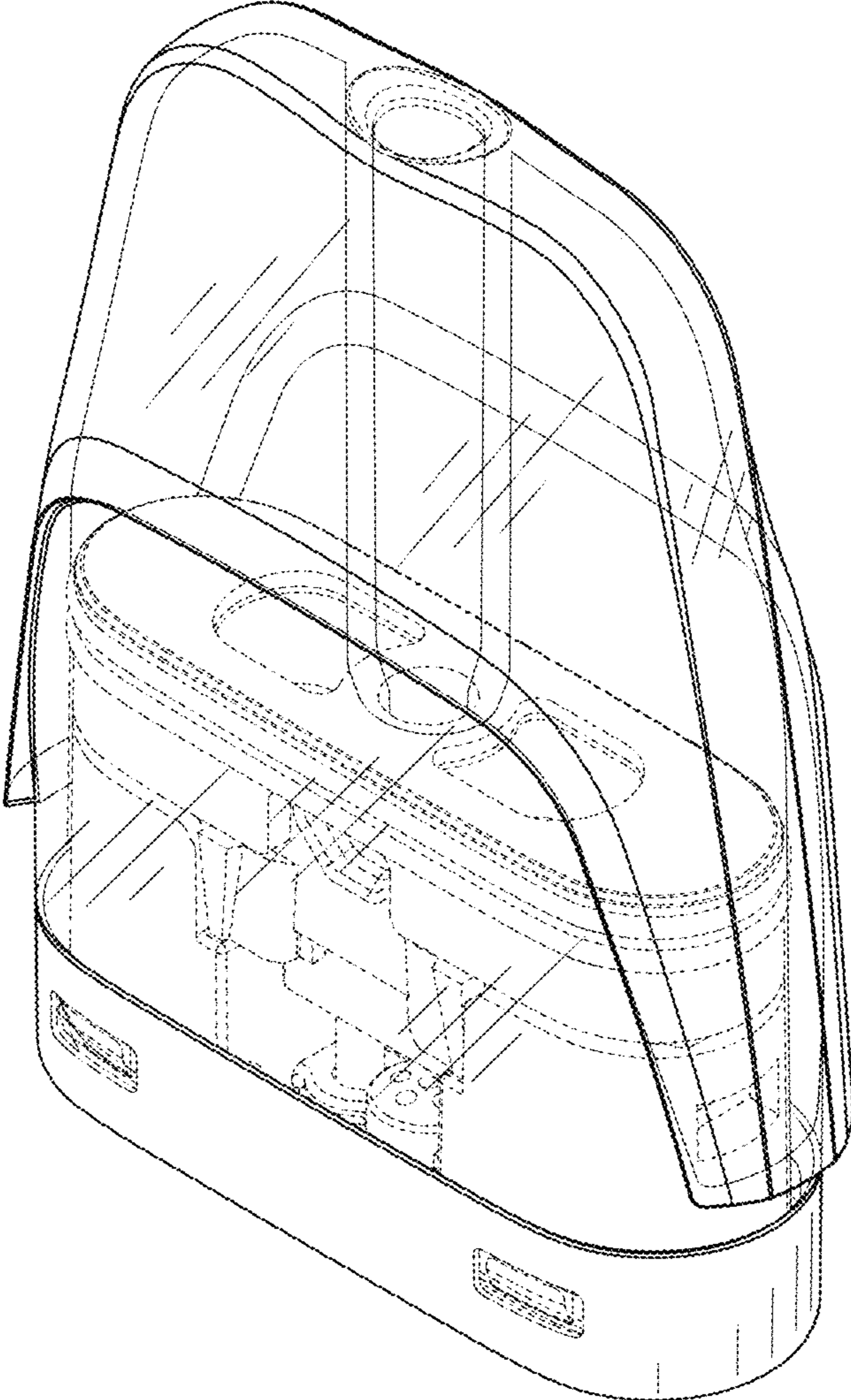


FIG. 22

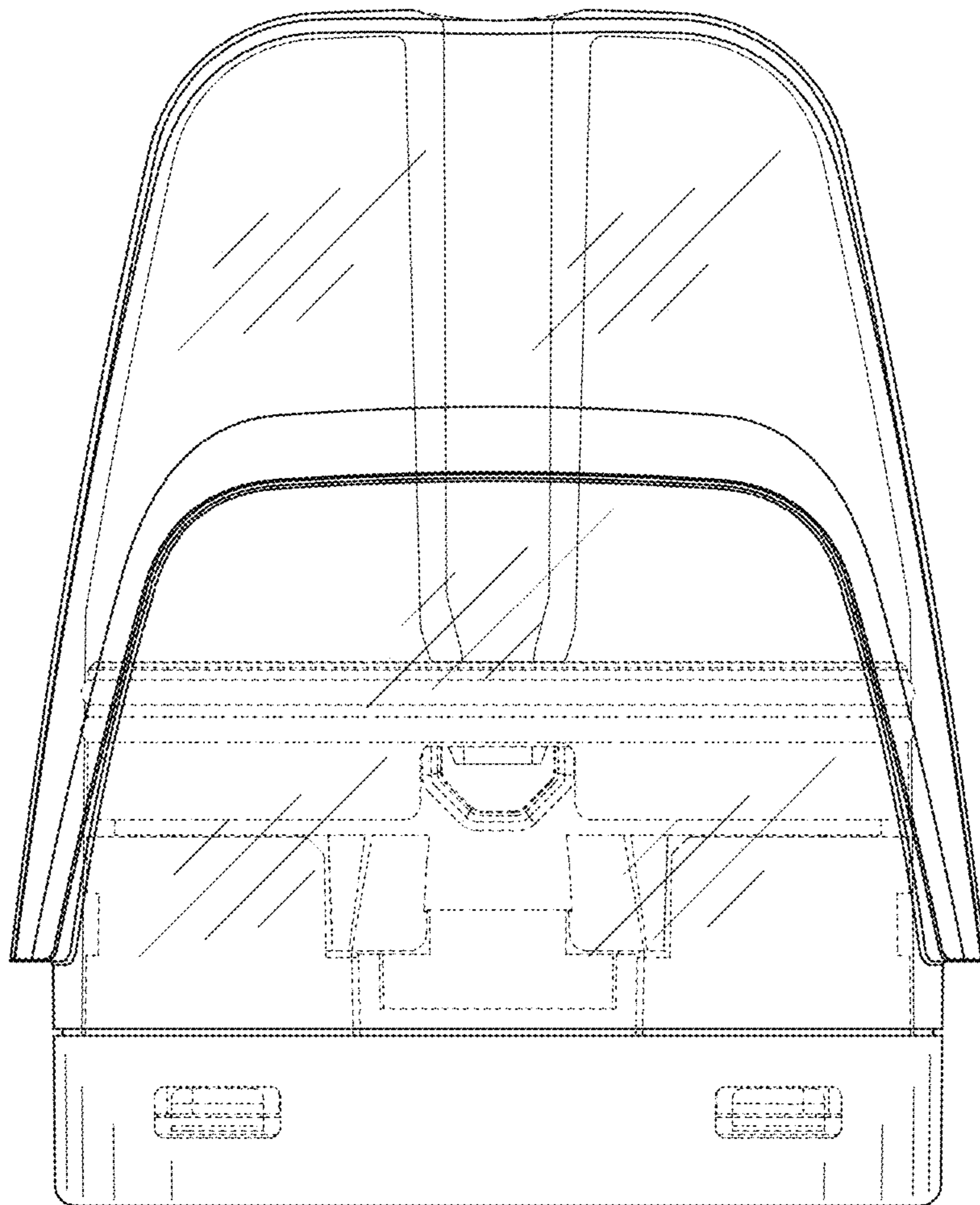


FIG. 23

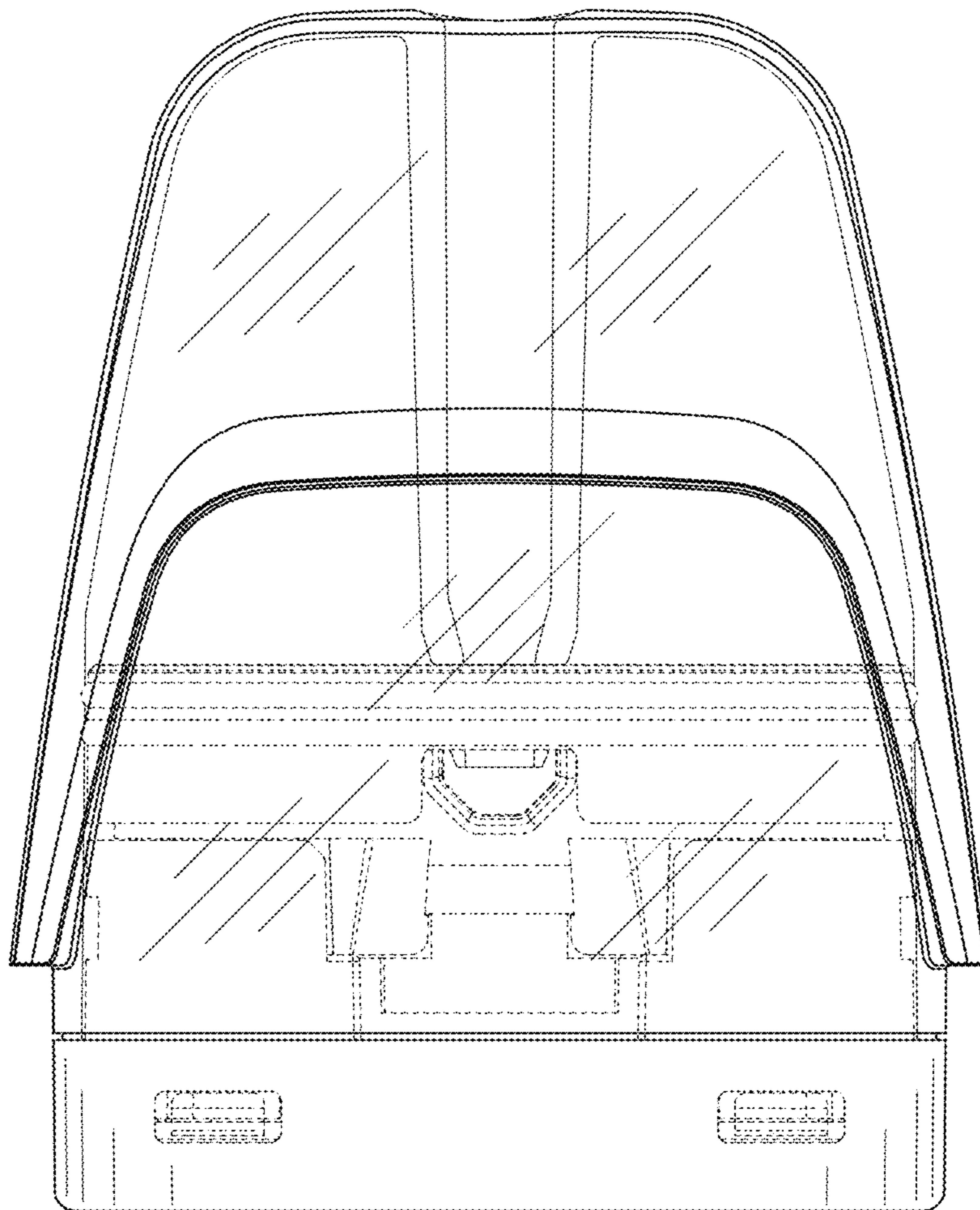


FIG. 24

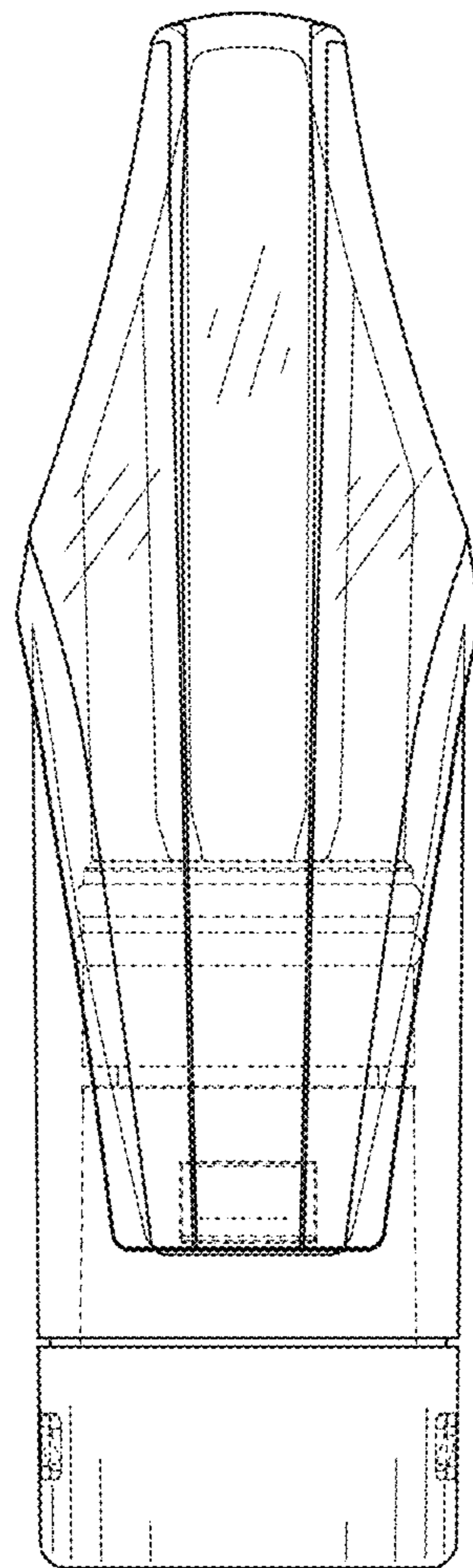


FIG. 25

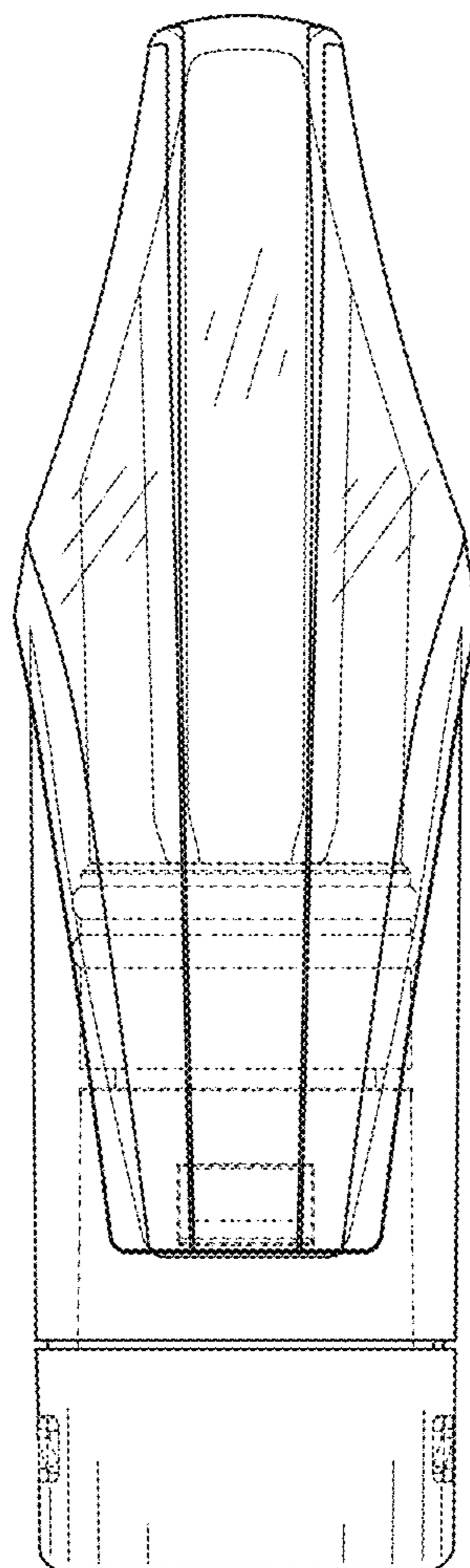


FIG. 26

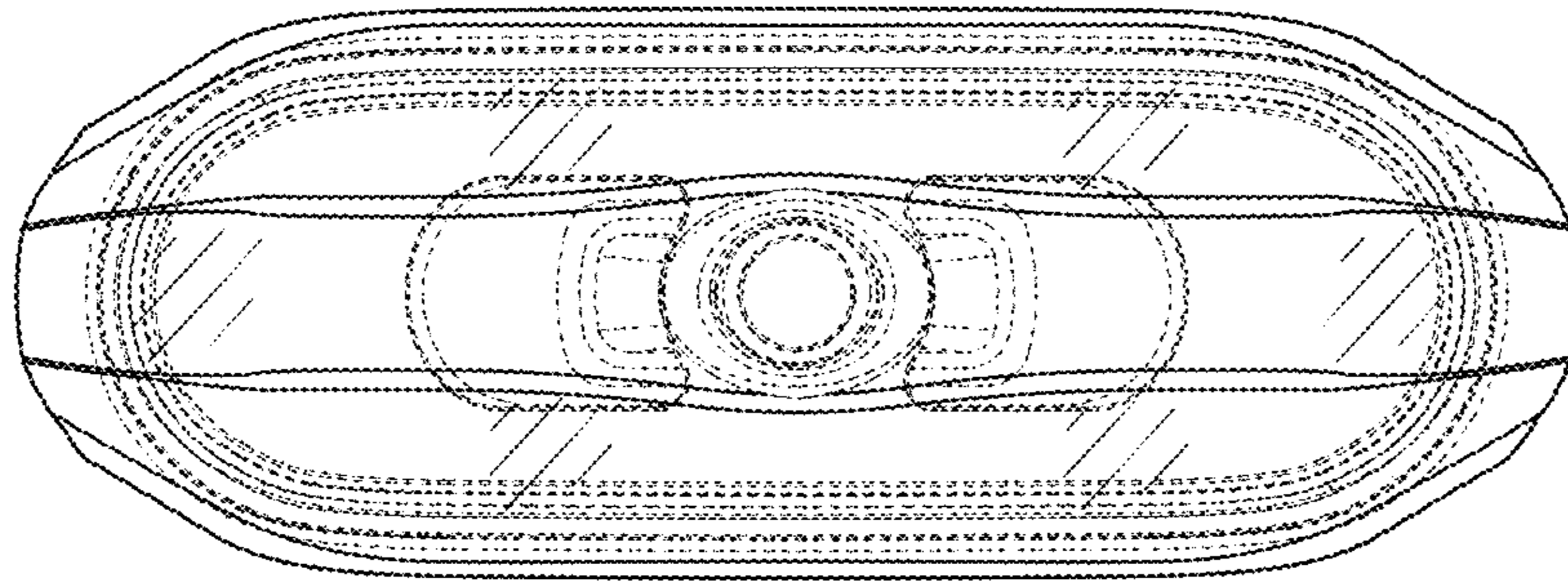


FIG. 27

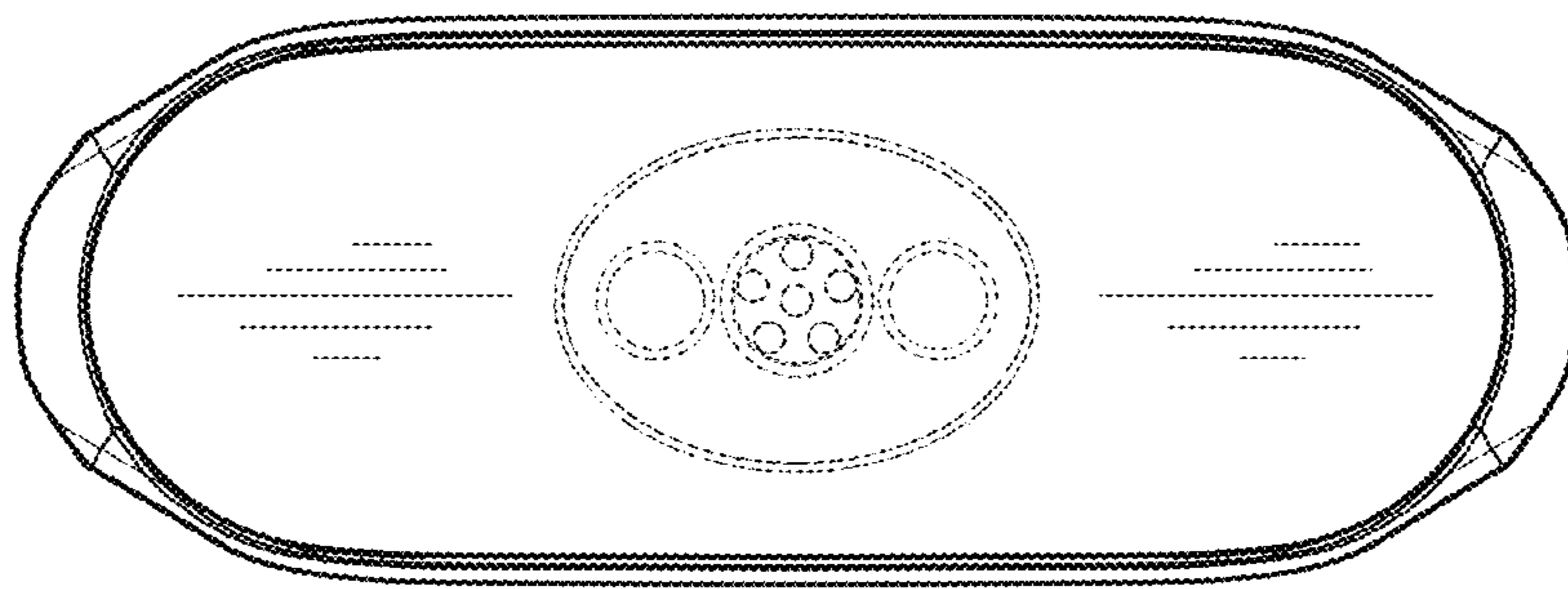


FIG. 28

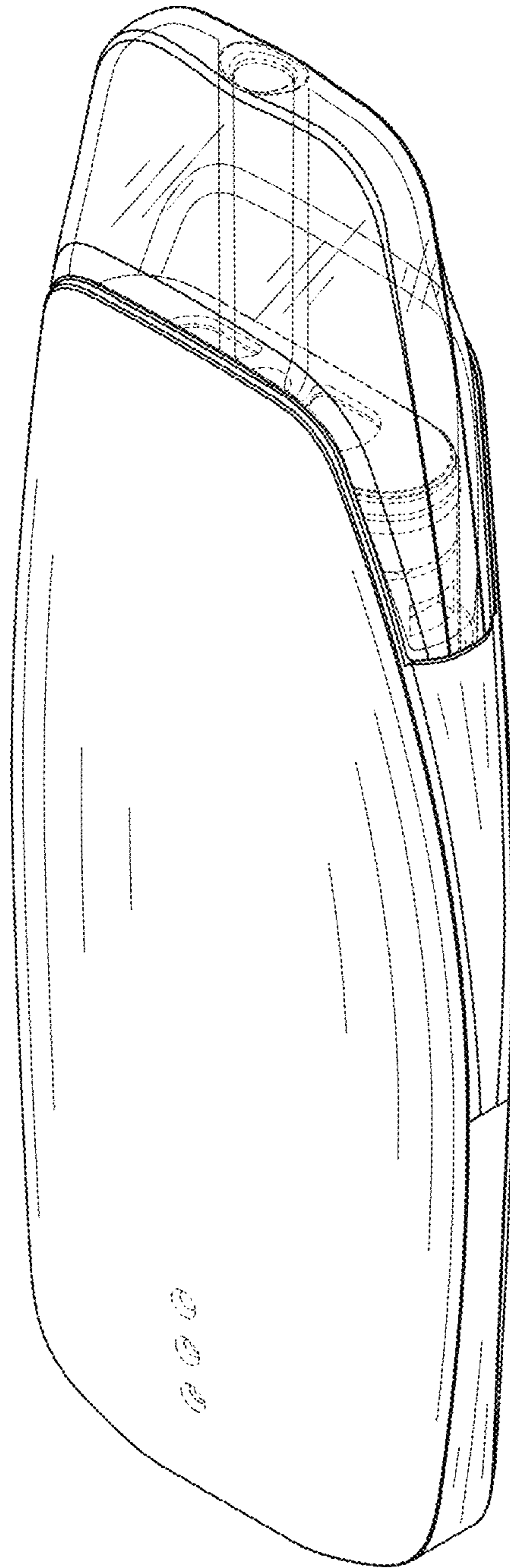


FIG. 29

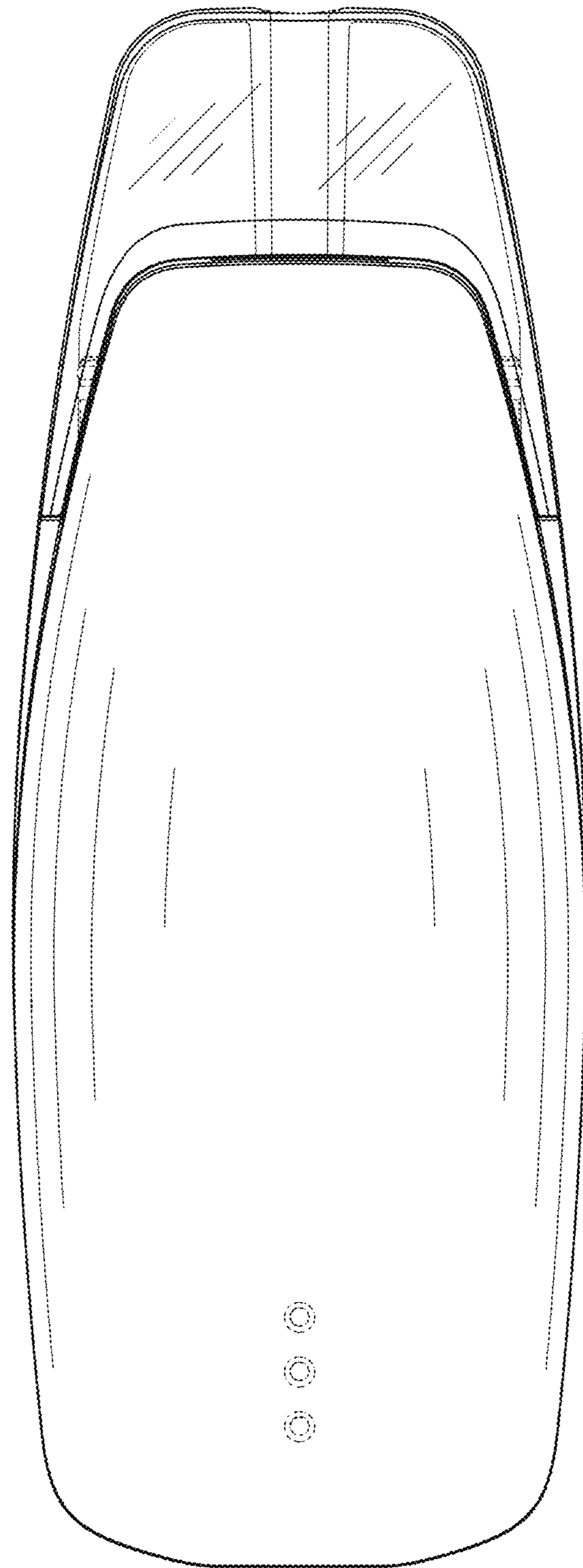


FIG. 30

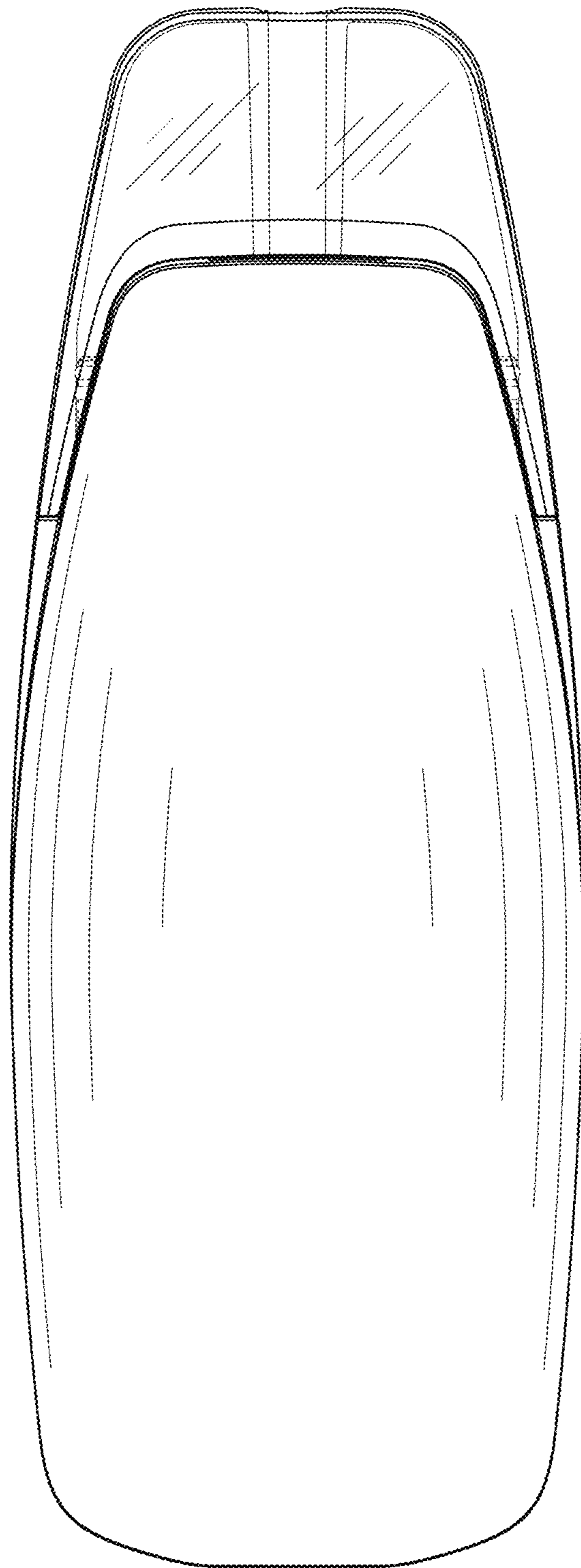


FIG. 31

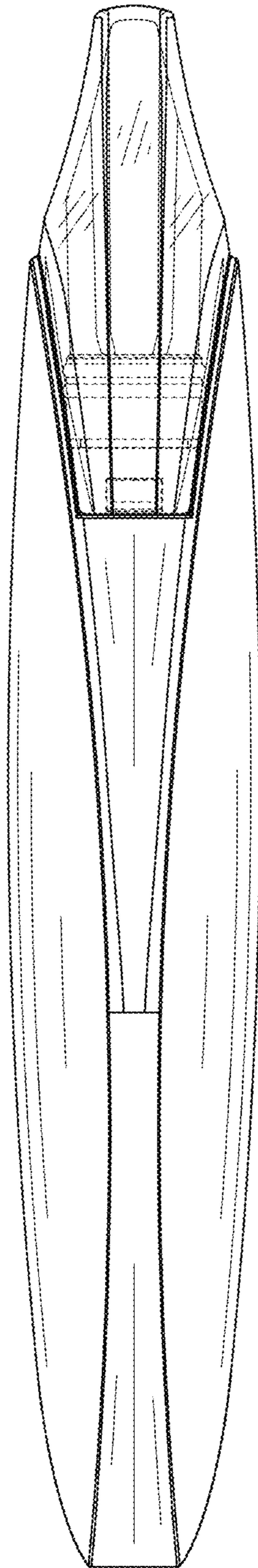


FIG. 32

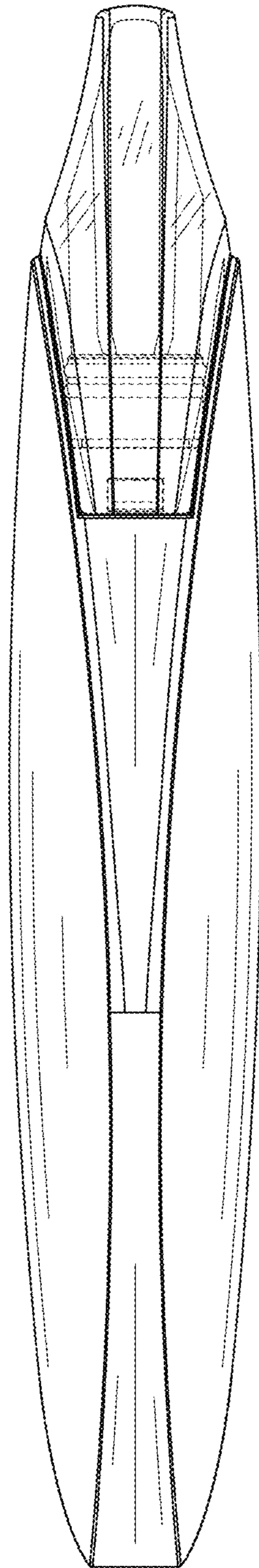


FIG. 33

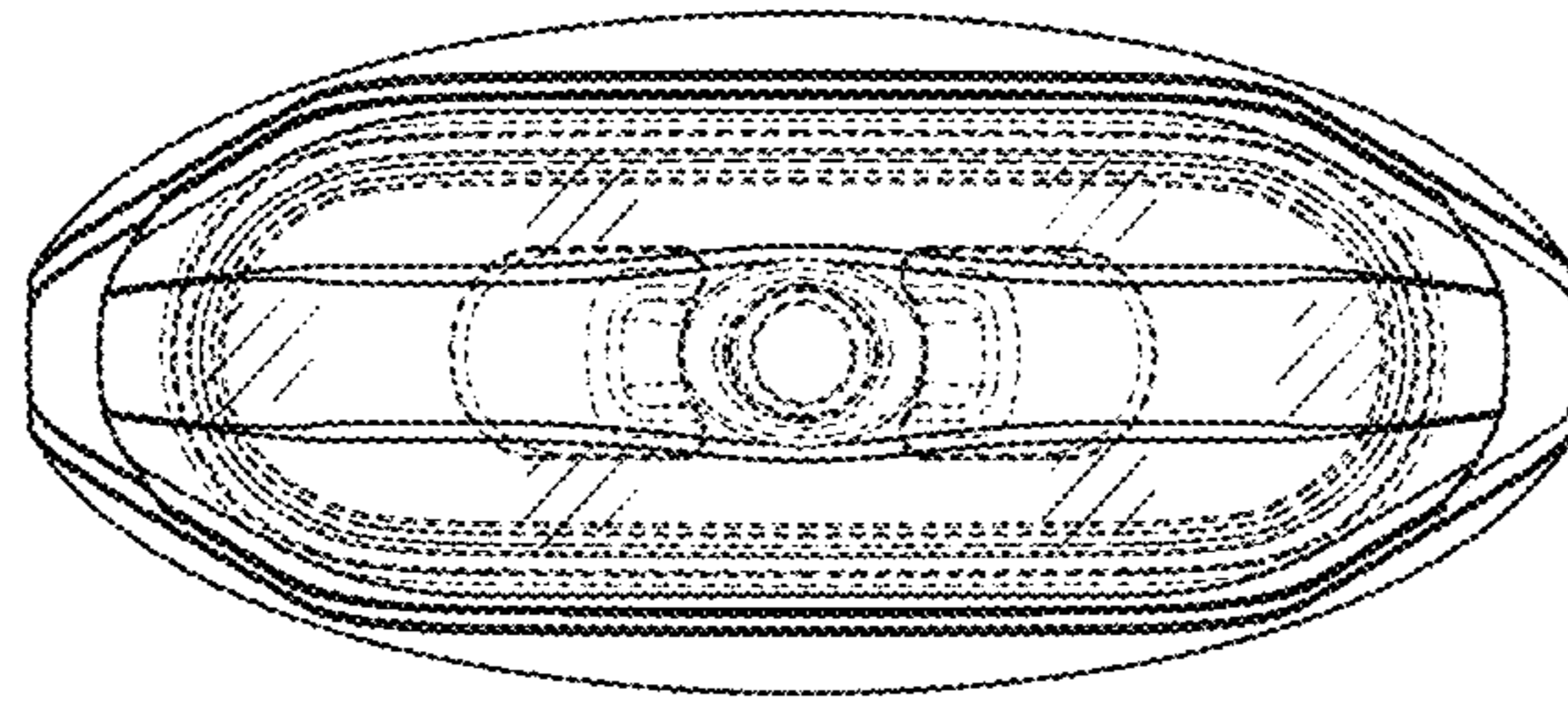


FIG. 34

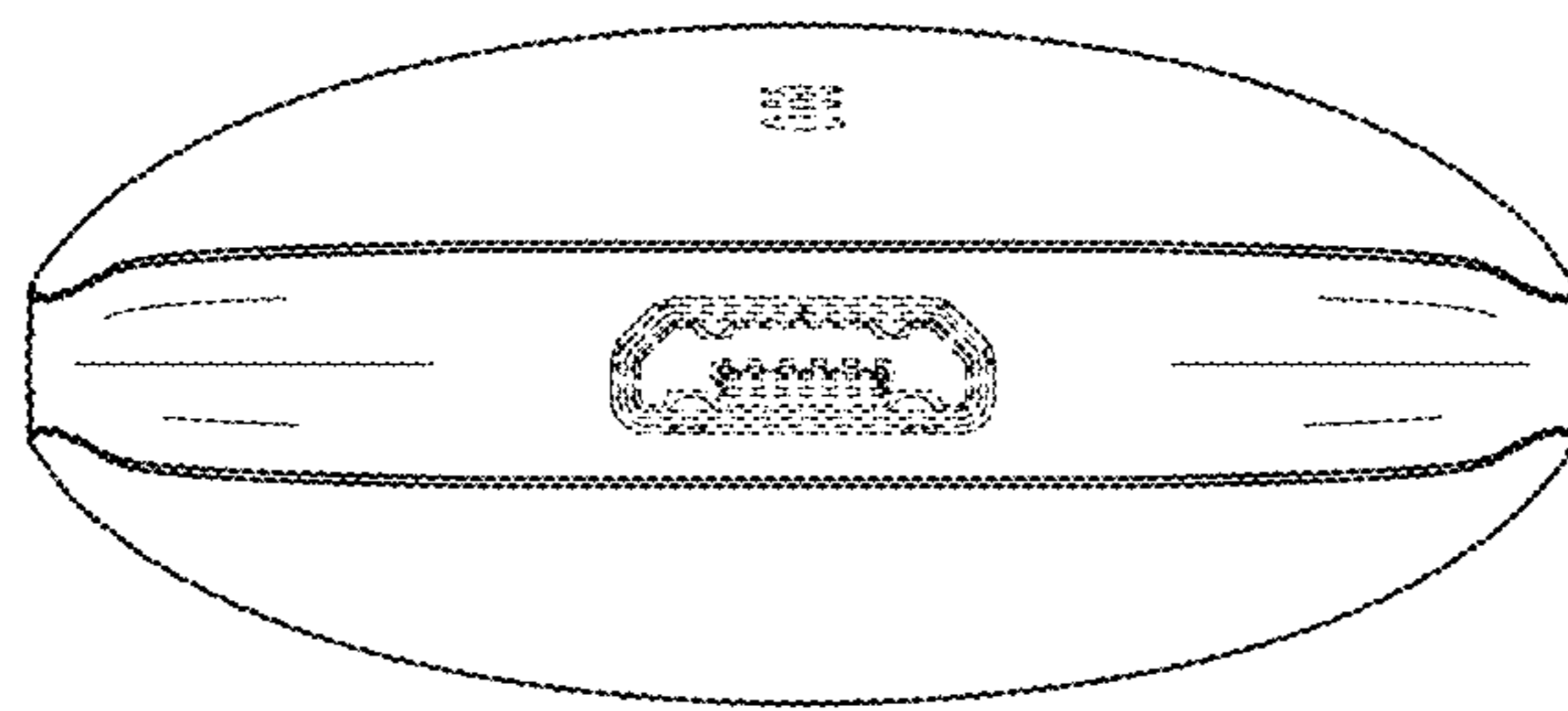


FIG. 35