



US00D927770S

(12) **United States Design Patent** (10) **Patent No.:** **US D927,770 S**
Hu (45) **Date of Patent:** **** Aug. 10, 2021**

(54) **LED PLANT LAMP**
(71) Applicant: **Dongwen Hu**, Zigong (CN)
(72) Inventor: **Dongwen Hu**, Zigong (CN)
(**) Term: **15 Years**
(21) Appl. No.: **29/689,922**
(22) Filed: **May 2, 2019**
(51) **LOC (13) Cl.** **26-05**
(52) **U.S. Cl.**
USPC **D26/118**
(58) **Field of Classification Search**
USPC D26/24, 34, 51, 55, 59, 72, 76, 78, 79,
D26/80, 81, 85, 86, 88, 90, 118, 120, 138
CPC F21S 8/00; F21S 8/04; F21S 8/08; F21S
8/026; F21S 8/043; F21S 8/066; F21S
8/081; F21S 8/083; F21S 8/085; F21S
8/088; F21V 15/00; F21V 15/01; F21V
21/00; F21V 21/02; F21V 21/005; F21V
21/041; F21V 21/048; F21V 21/049;
F21V 7/00; F21V 7/0008; F21V 9/30
See application file for complete search history.

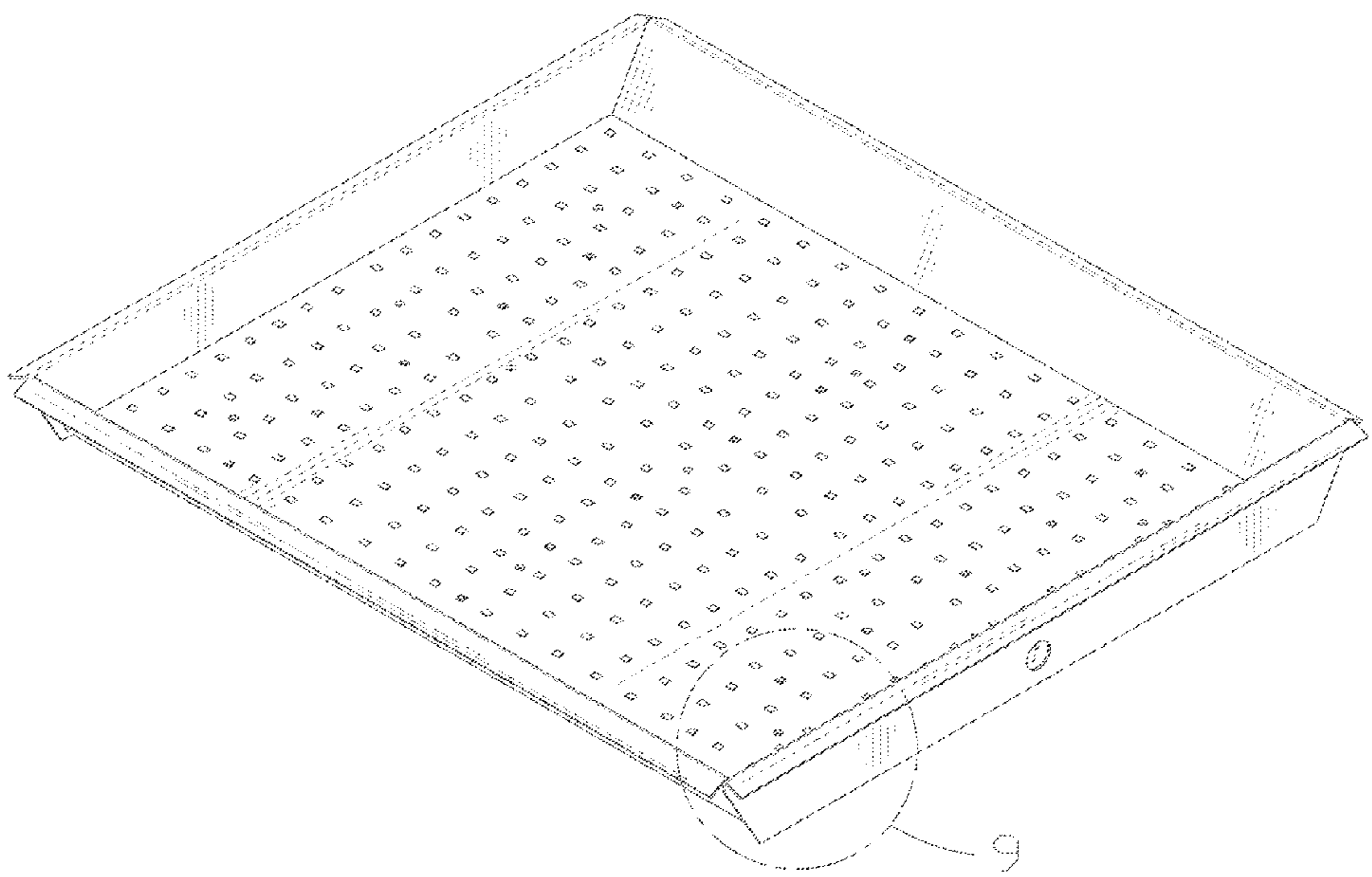
(56) **References Cited**
U.S. PATENT DOCUMENTS
D574,994 S * 8/2008 Boyer D26/120
D690,839 S * 10/2013 Wang D26/24
D698,986 S * 2/2014 Reynolds D26/118
D698,987 S * 2/2014 Stanley D26/118
D756,016 S * 5/2016 Hargreaves D26/79
D757,346 S * 5/2016 Stanley D26/118
(Continued)

Primary Examiner — Wan Laymon
Assistant Examiner — Clint A Samuel

(57) **CLAIM**
The ornamental design for an LED plant lamp, as shown and described.

DESCRIPTION
FIG. 1 is a first perspective view of a first embodiment of an LED plant lamp showing my new design;
FIG. 2 is a second perspective view of the first embodiment thereof;
FIG. 3 is a front elevational view of the first embodiment thereof;
FIG. 4 is a rear elevational view of the first embodiment thereof;
FIG. 5 is a left elevational view of the first embodiment thereof;
FIG. 6 is a right elevational view of the first embodiment thereof;
FIG. 7 is a top plan view of the first embodiment thereof;
FIG. 8 is a bottom plan view of the first embodiment thereof;
FIG. 9 is an enlarged view of the area identified as “9” in FIG. 1;
FIG. 10 is a first perspective view of a second embodiment of the LED plant lamp showing my new design;
FIG. 11 is a second perspective view of the second embodiment thereof;
FIG. 12 is a front elevational view of the second embodiment thereof;
FIG. 13 is a rear elevational view of the second embodiment thereof;
FIG. 14 is a left elevational view of the second embodiment thereof;
FIG. 15 is a right elevational view of the second embodiment thereof;
FIG. 16 is a top plan view of the second embodiment thereof;
FIG. 17 is a bottom plan view of the second embodiment thereof; and,
FIG. 18 is an enlarged view of the area identified as “18” in FIG. 10.
The broken lines in the drawings illustrate portions of the LED plant lamp which form no part of the claimed design.

1 Claim, 18 Drawing Sheets



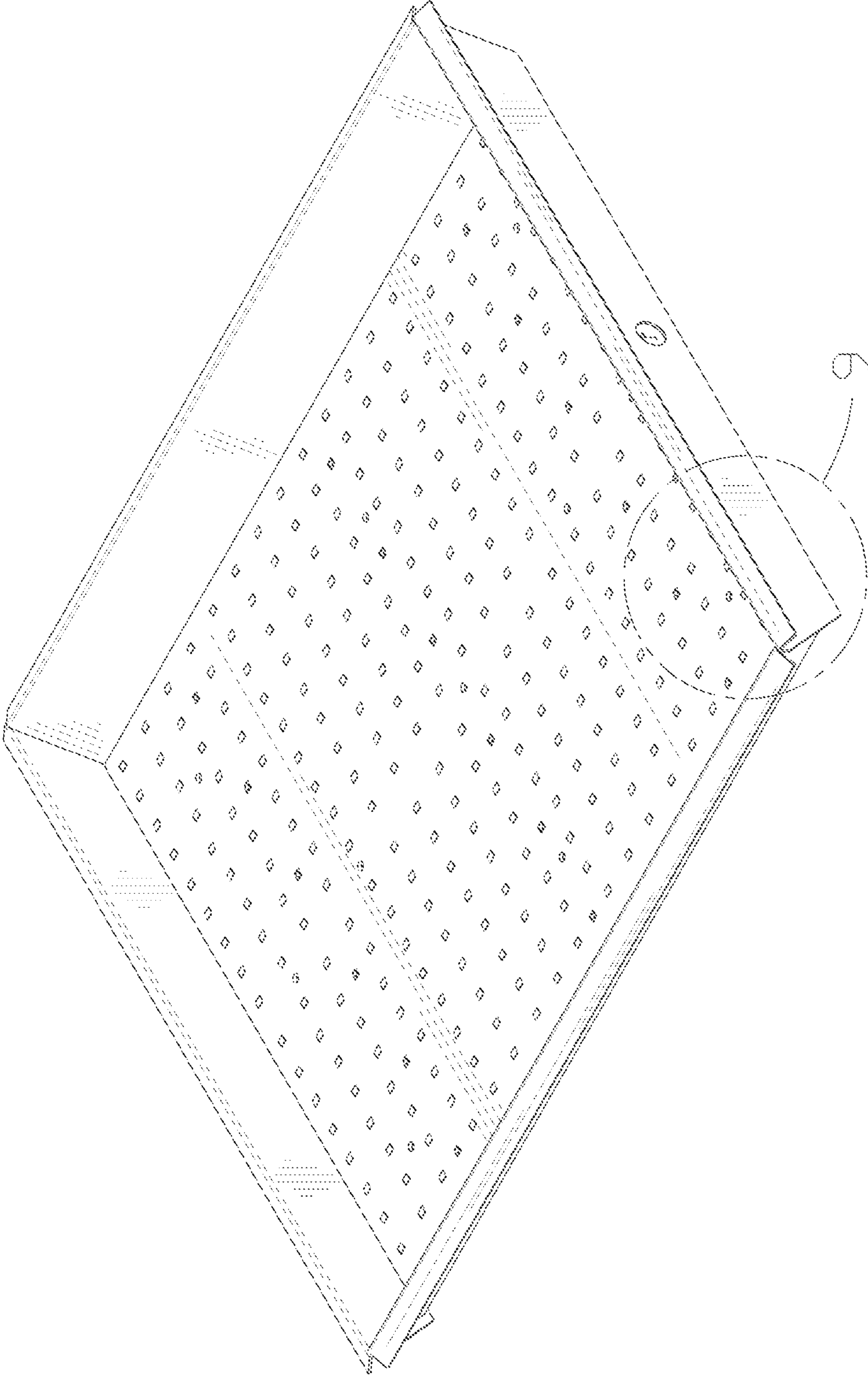


FIG. 1

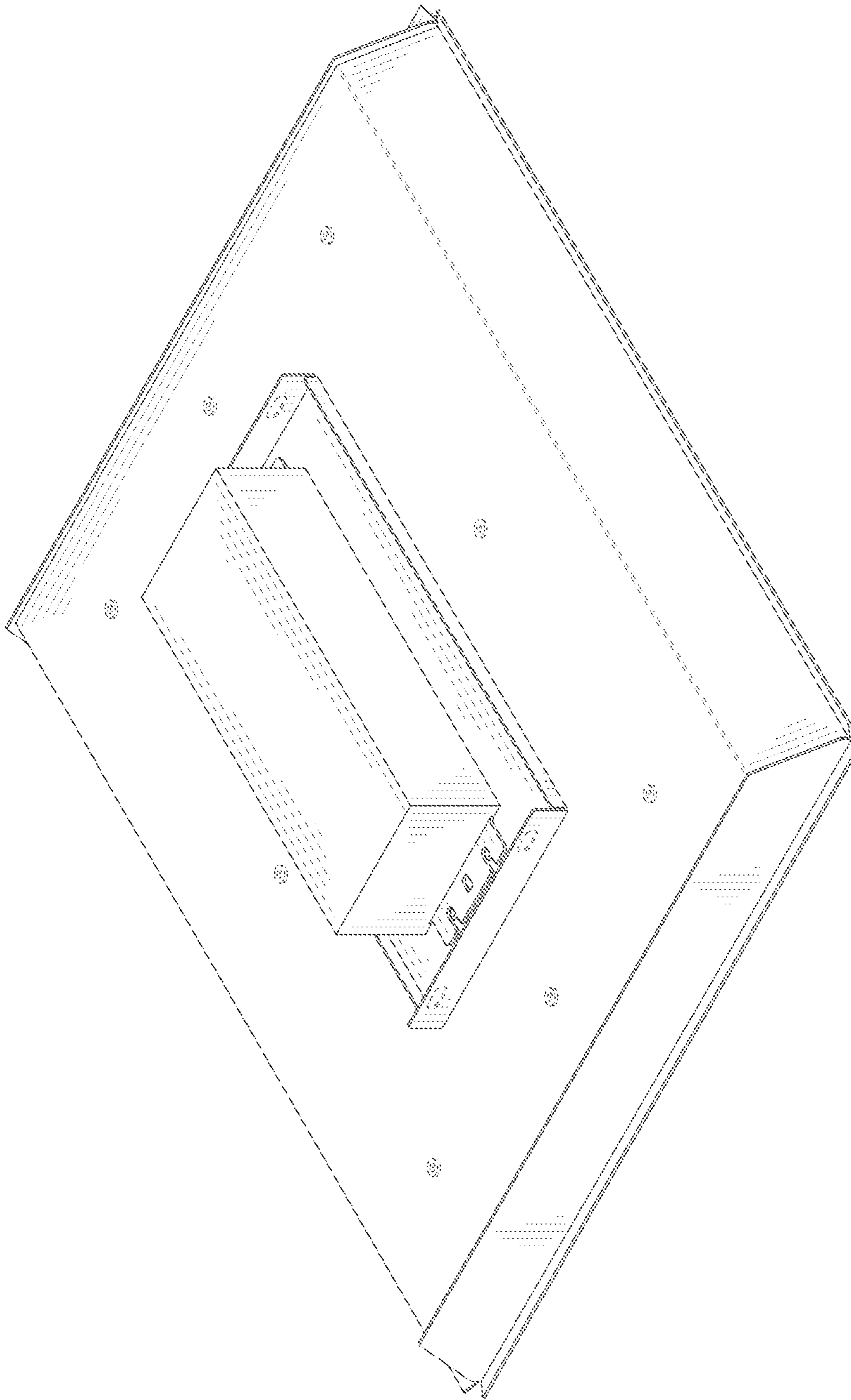


FIG. 2

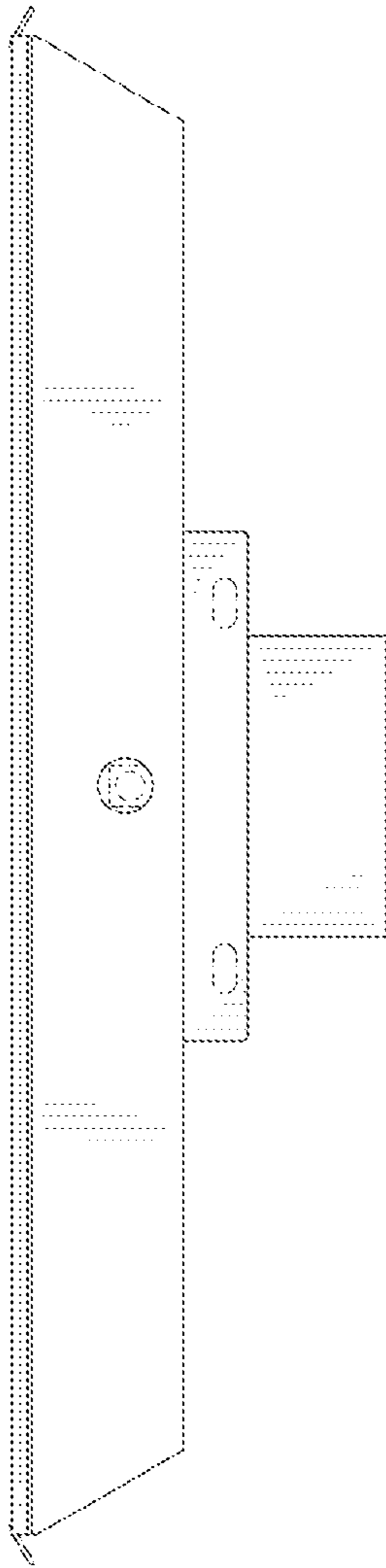


FIG. 3

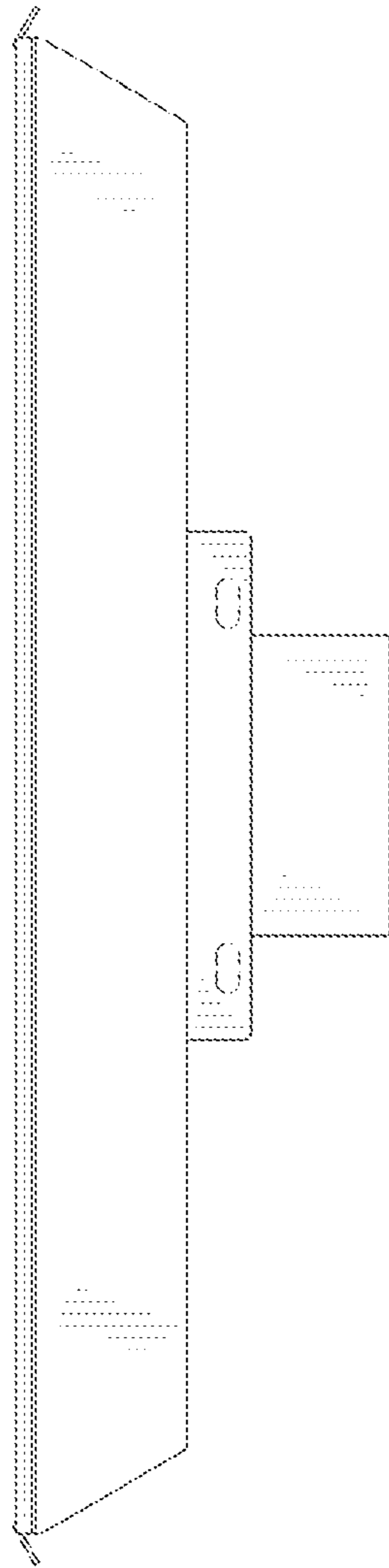


FIG. 4

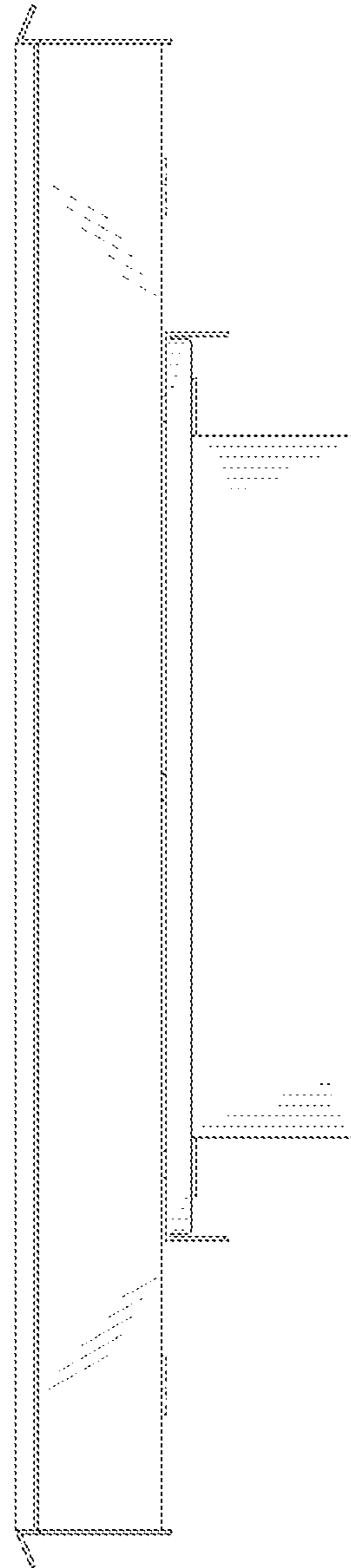


FIG. 5

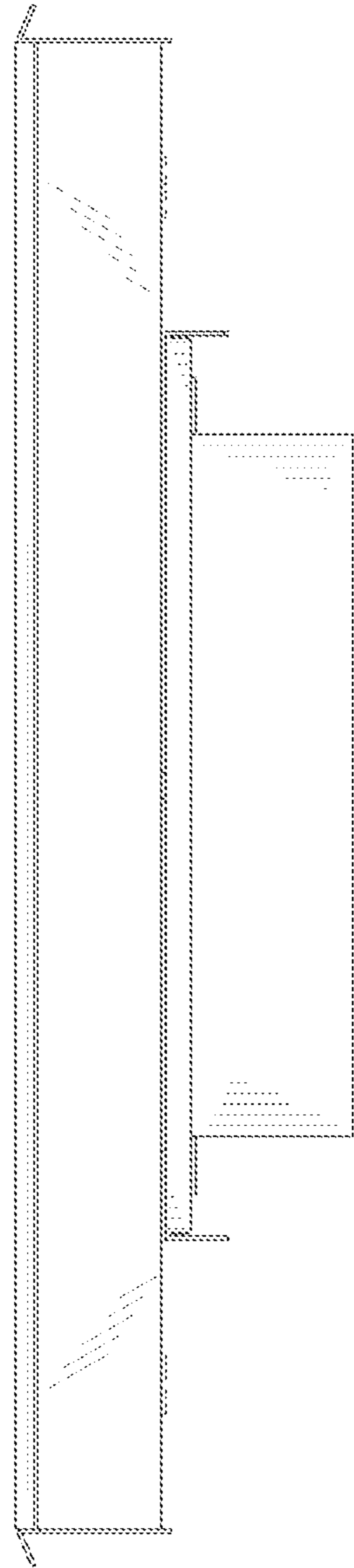


FIG. 6

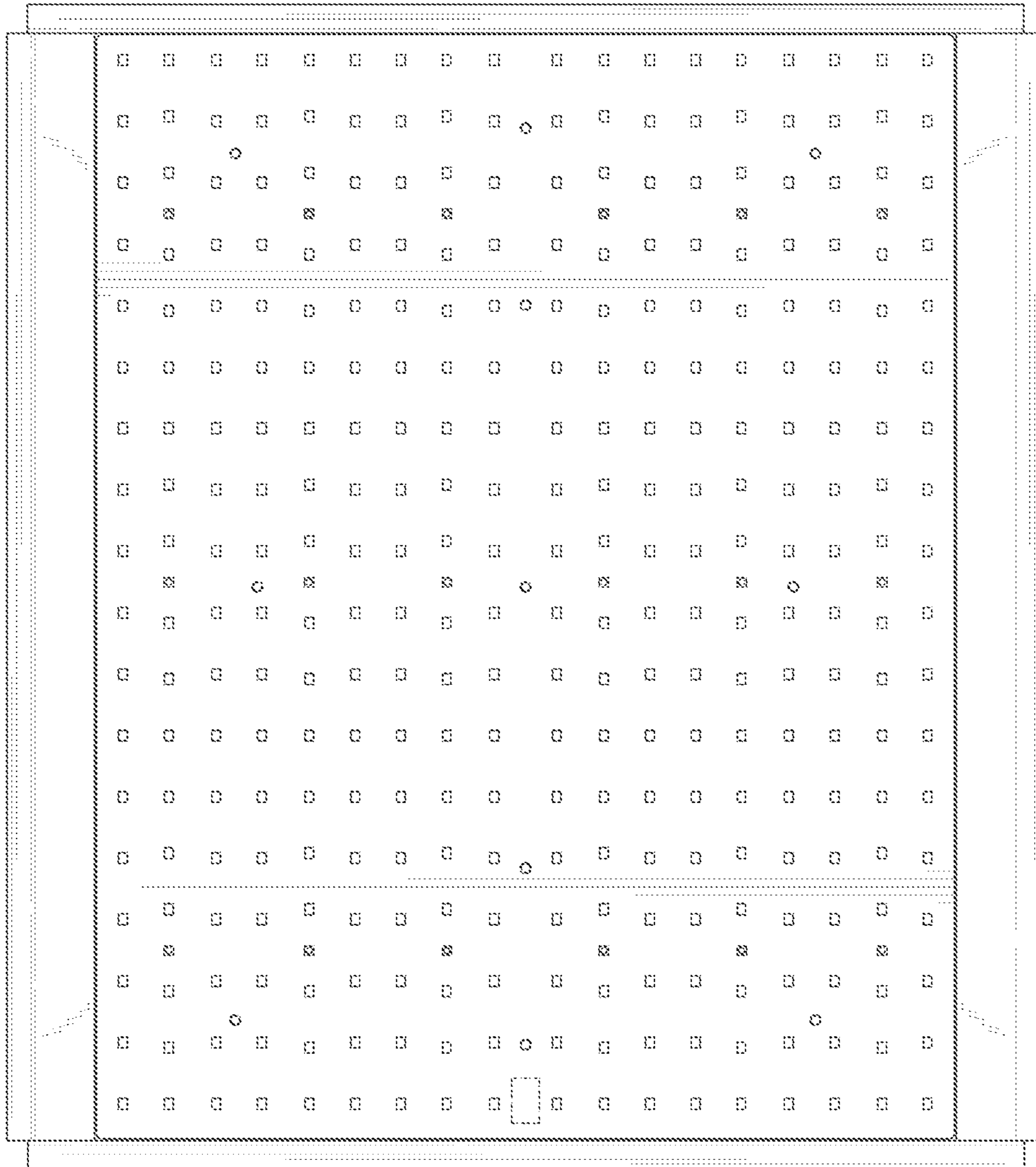


FIG. 7

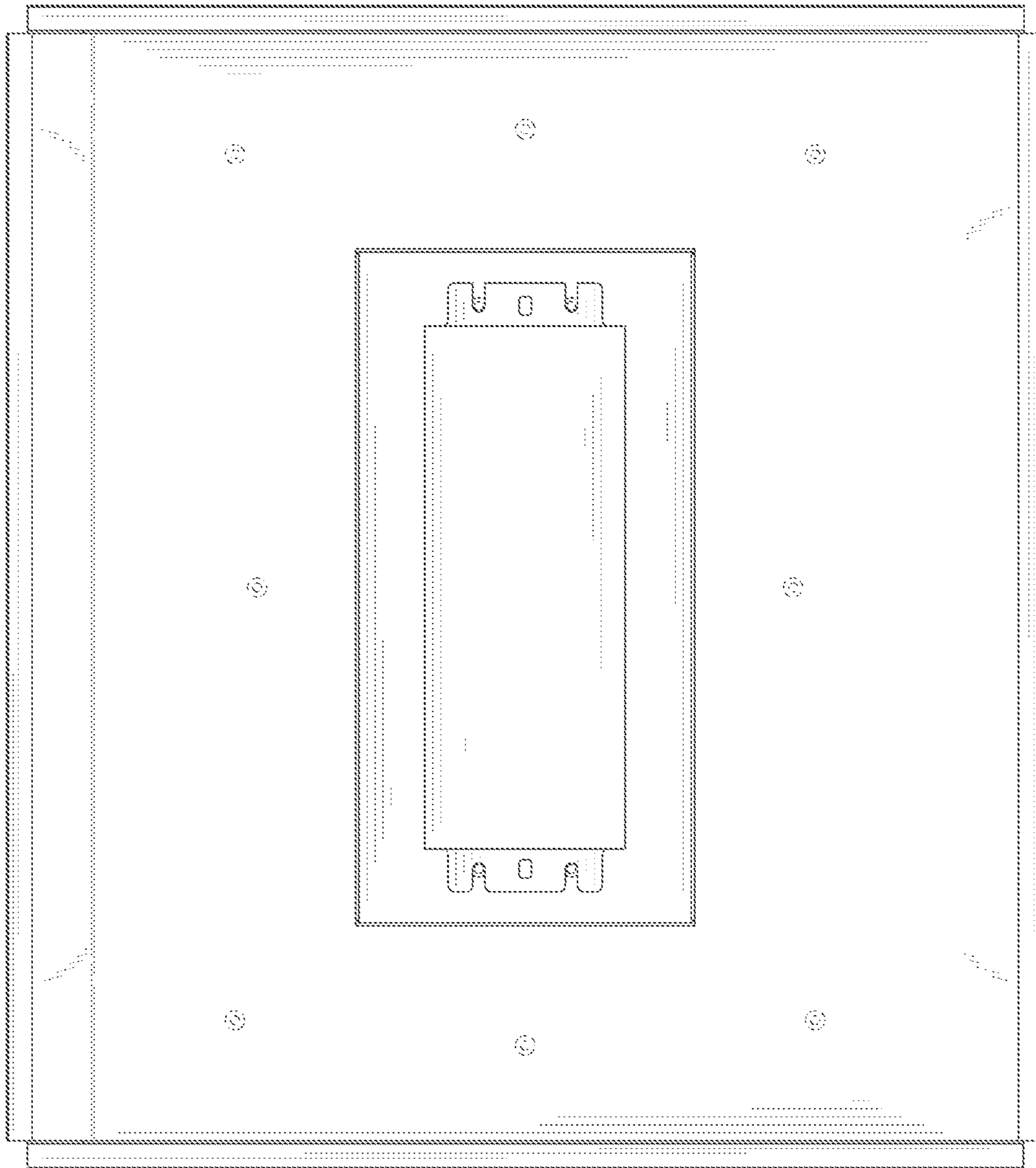


FIG. 8

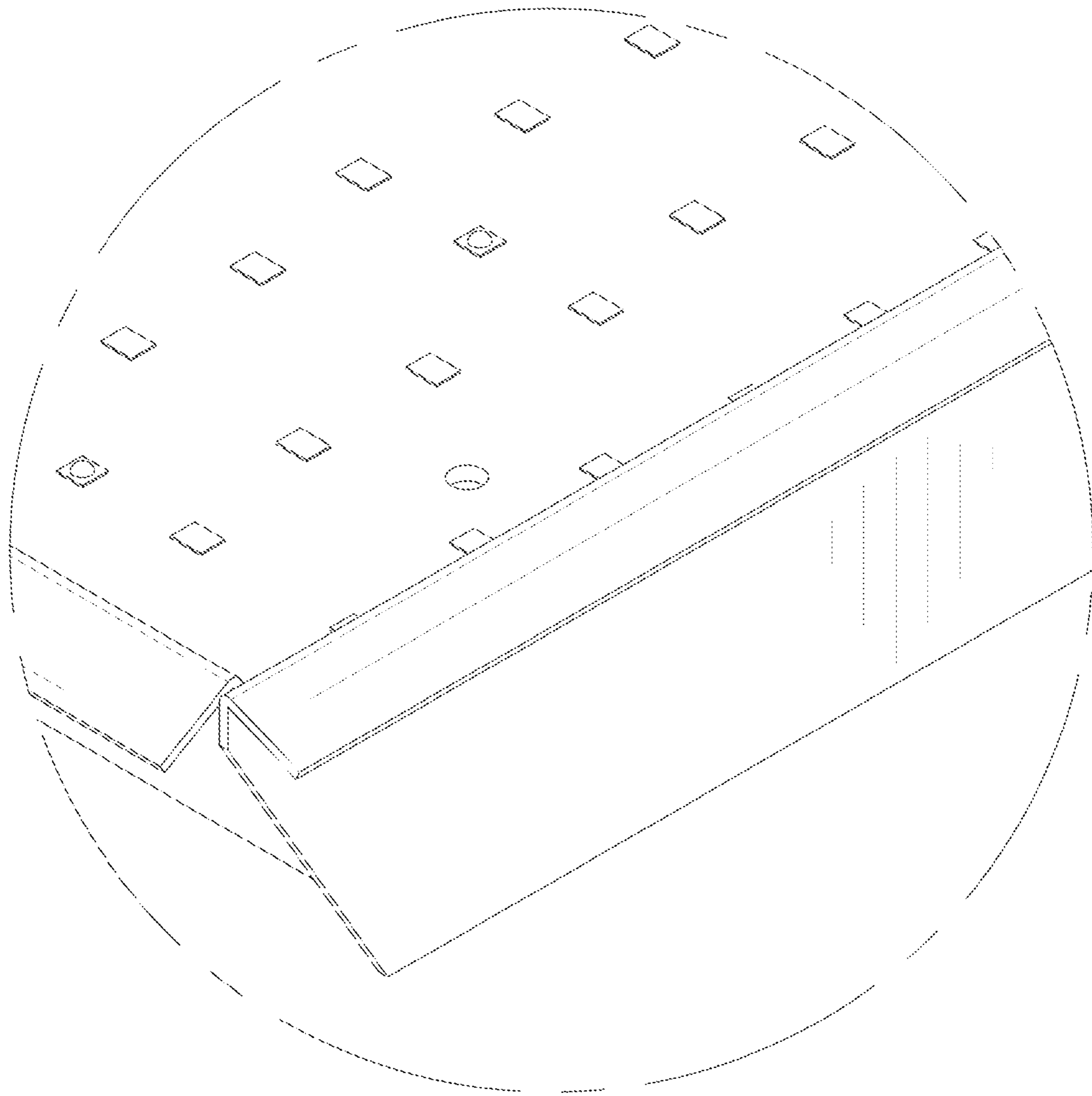


FIG. 9

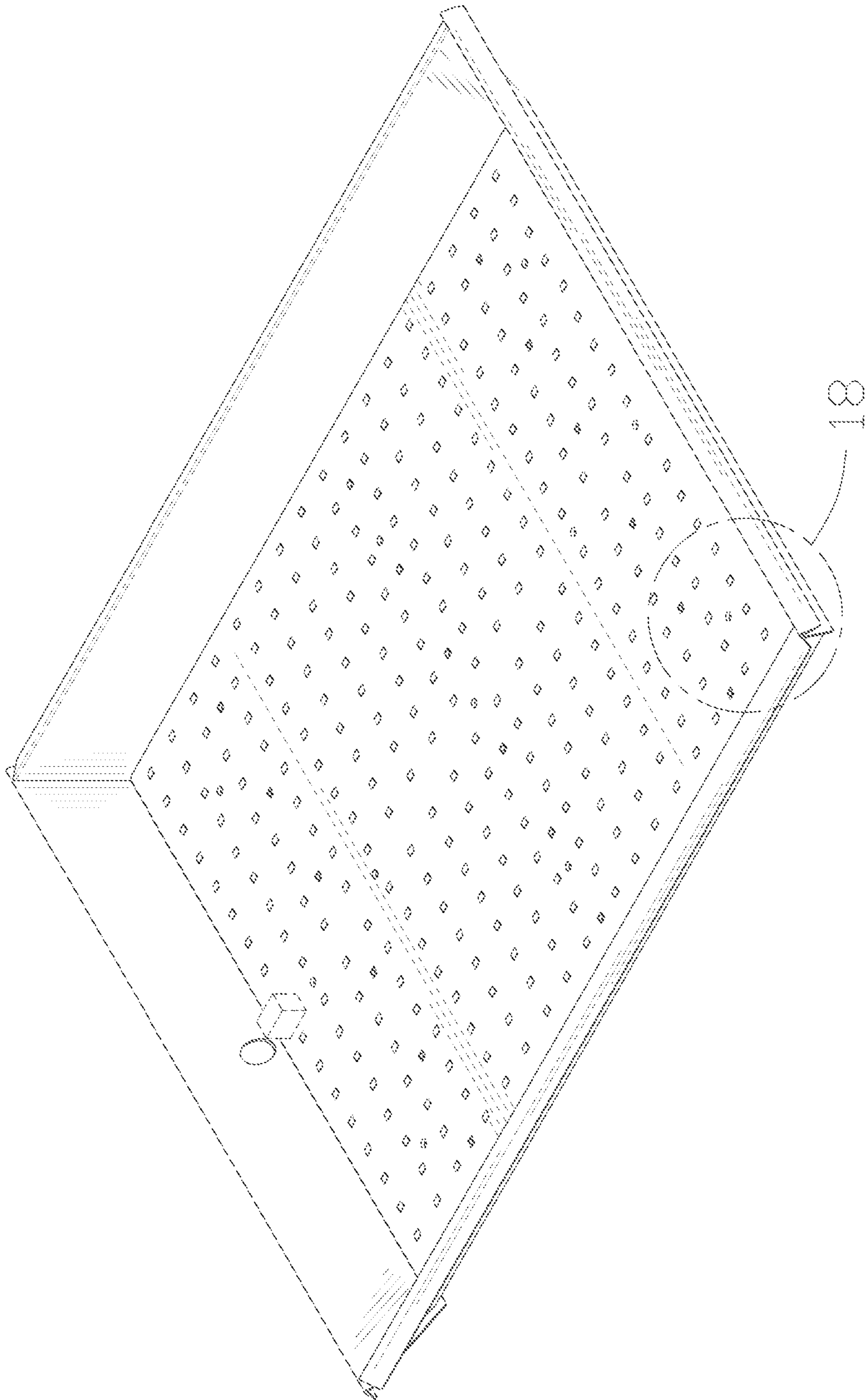


FIG. 10

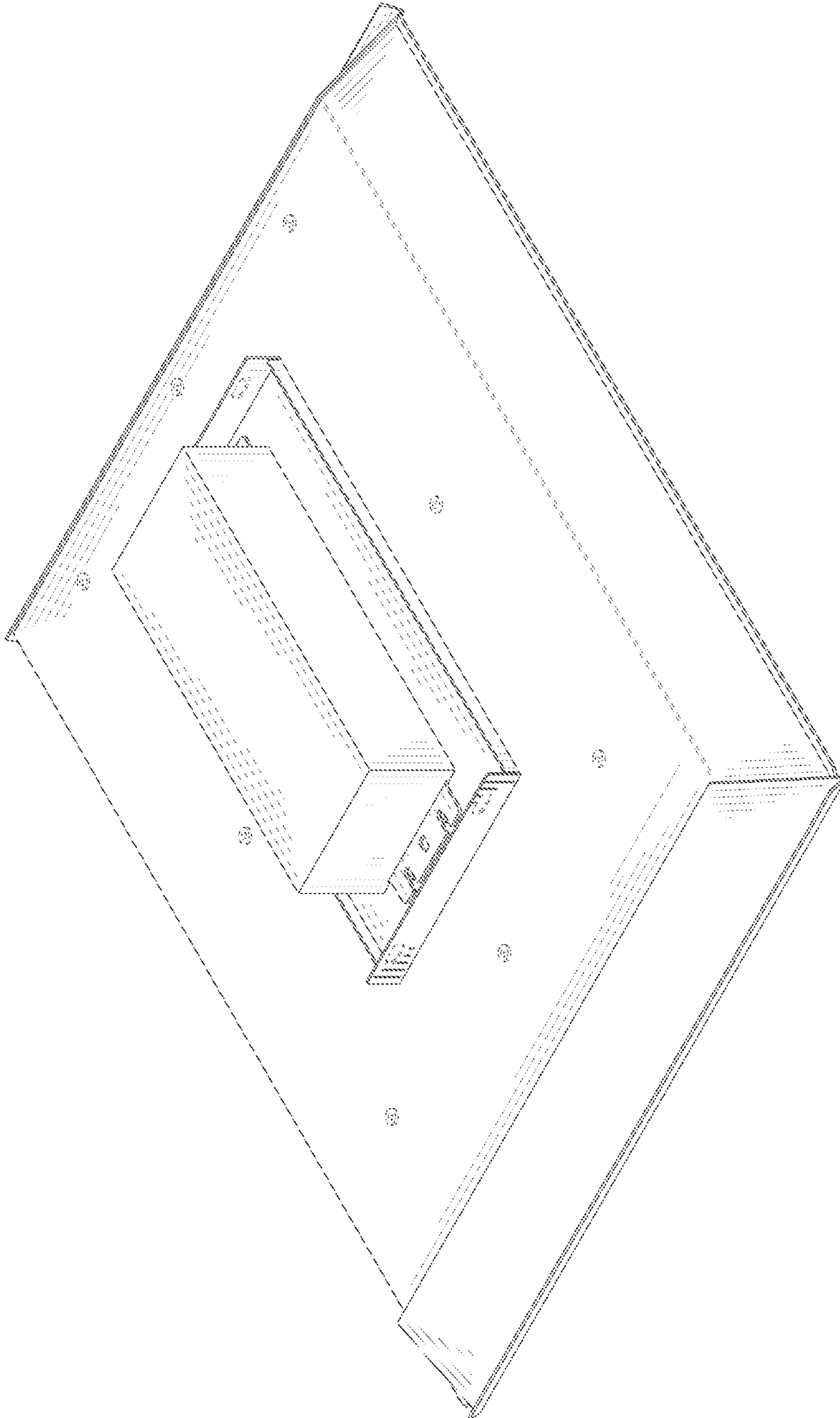


FIG. 11

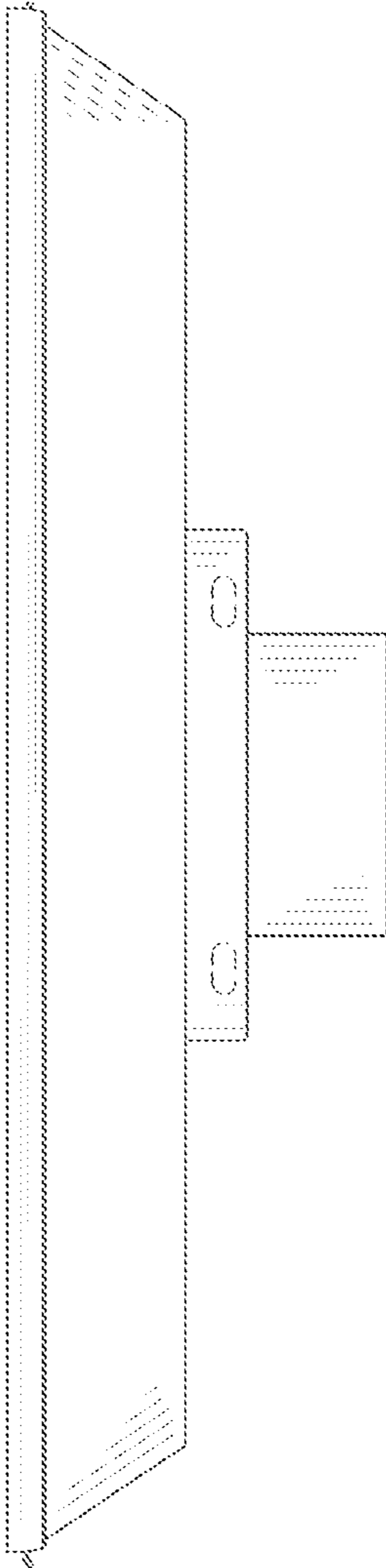


FIG. 12

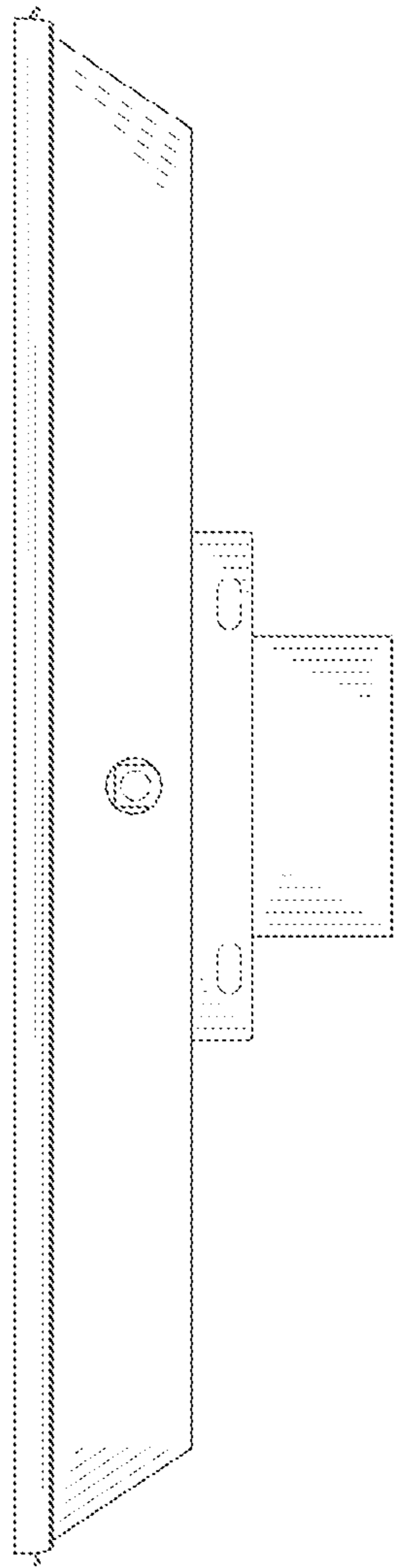


FIG. 13

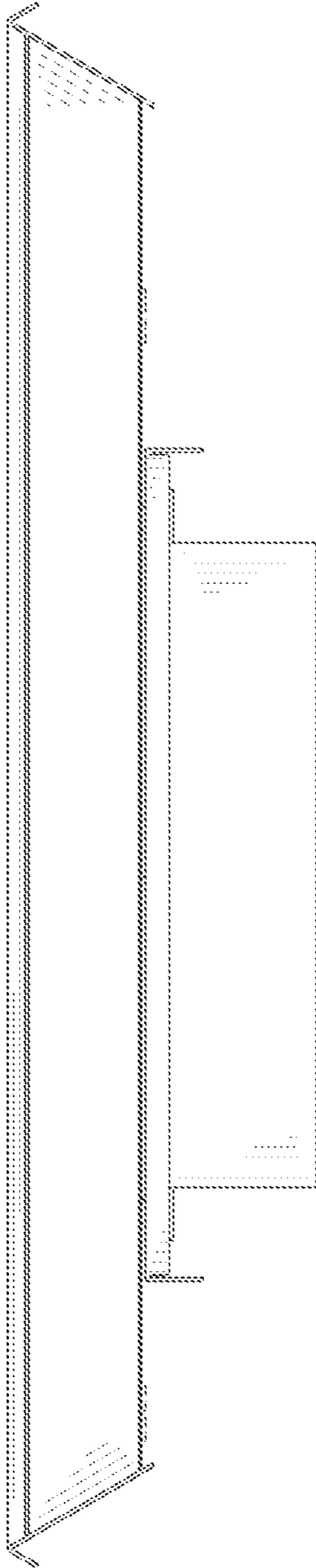


FIG. 14

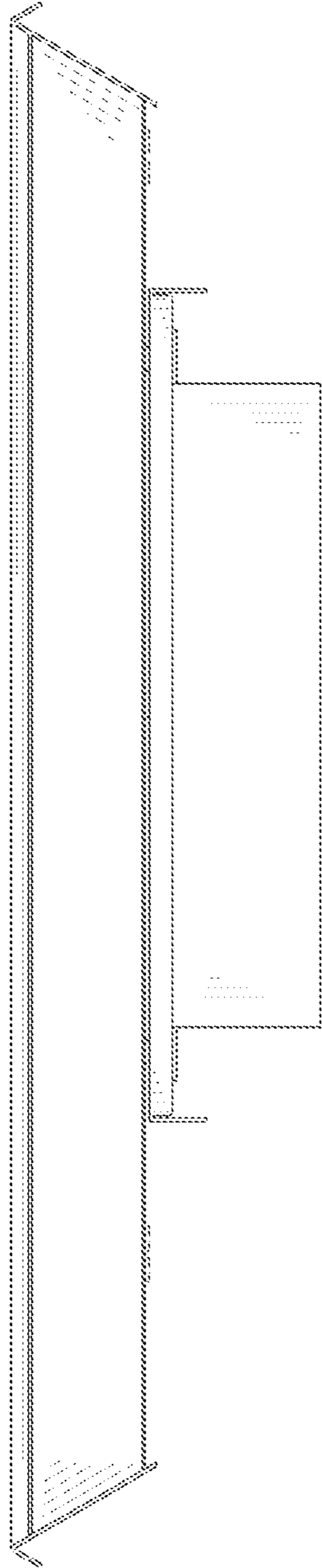


FIG. 15

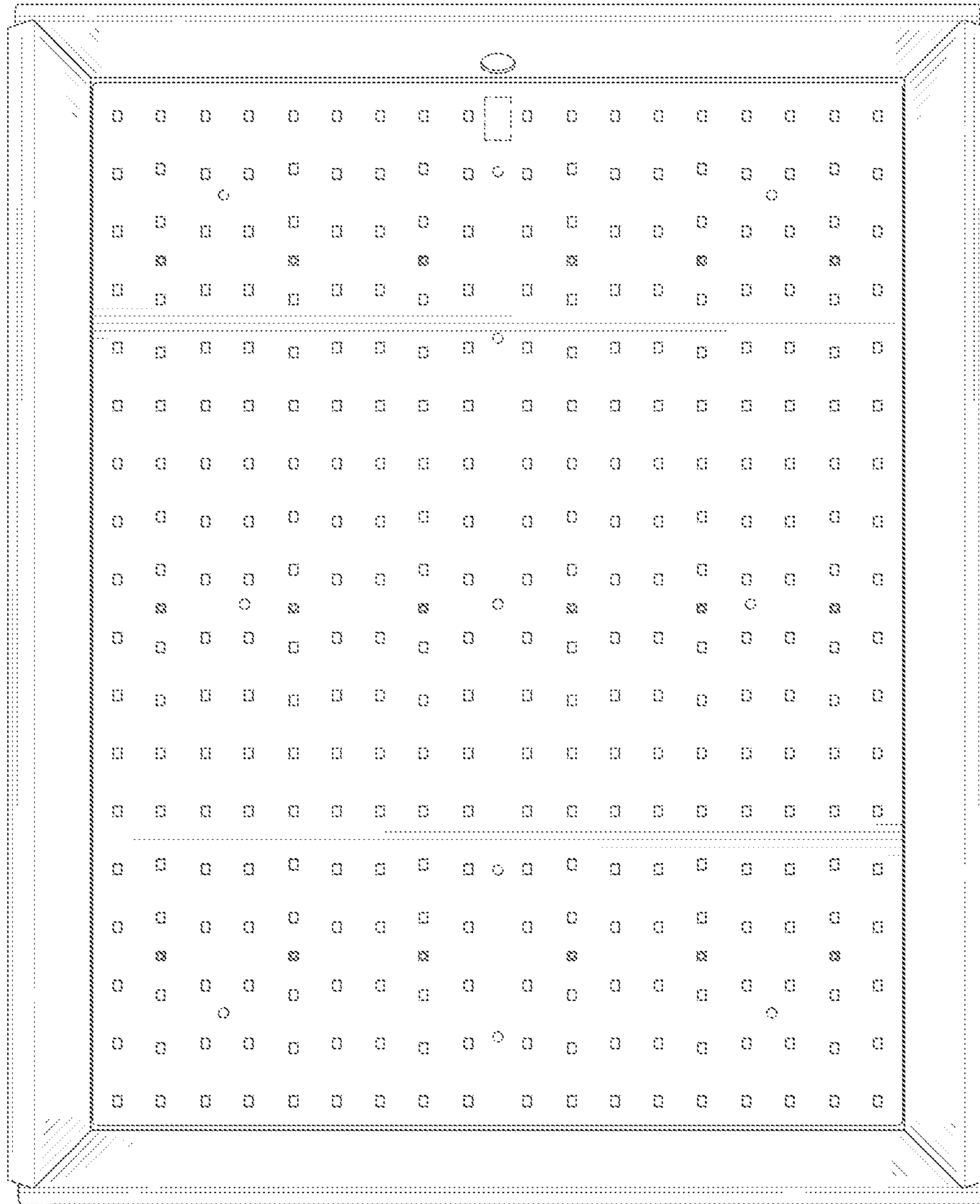


FIG. 16

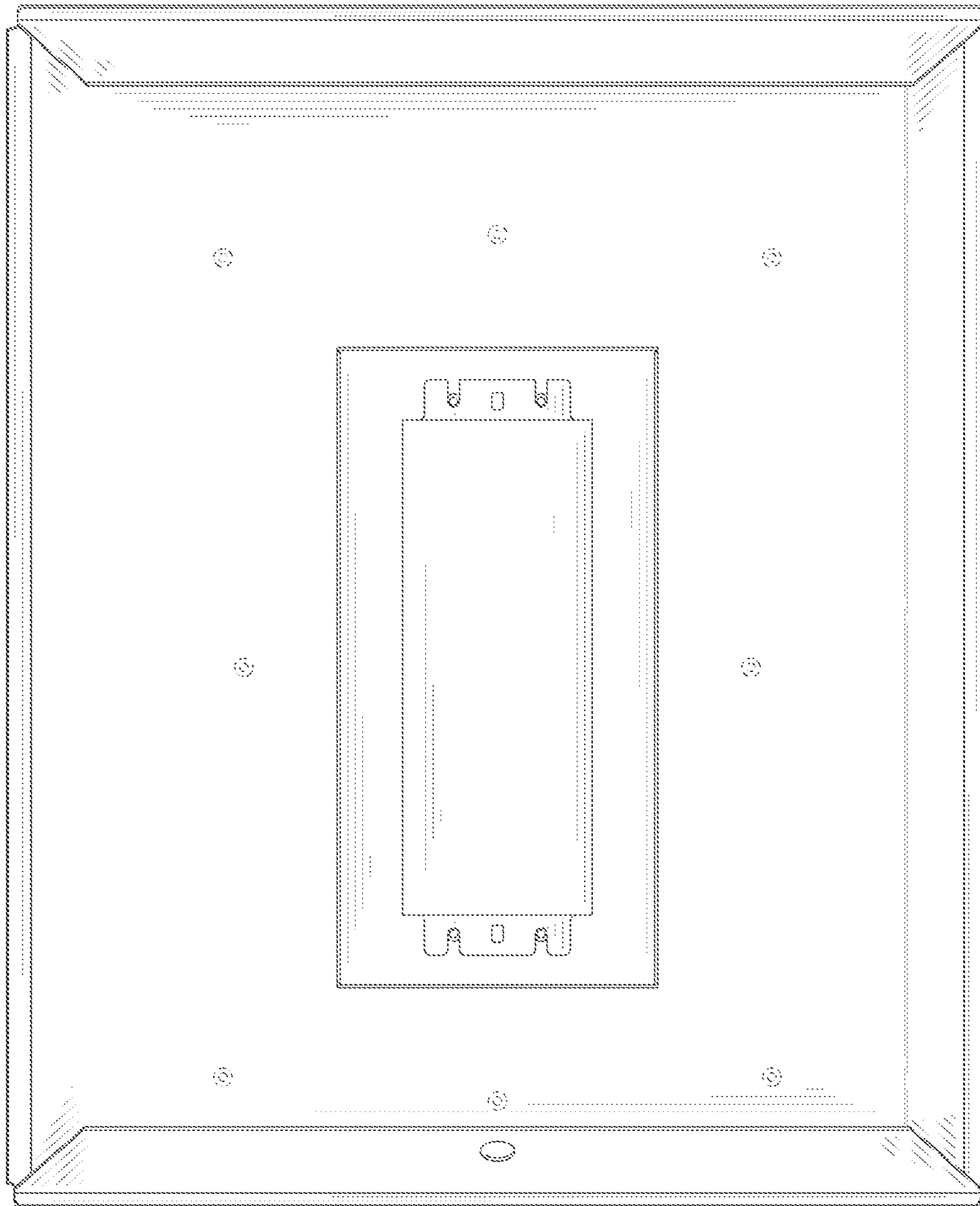


FIG. 17

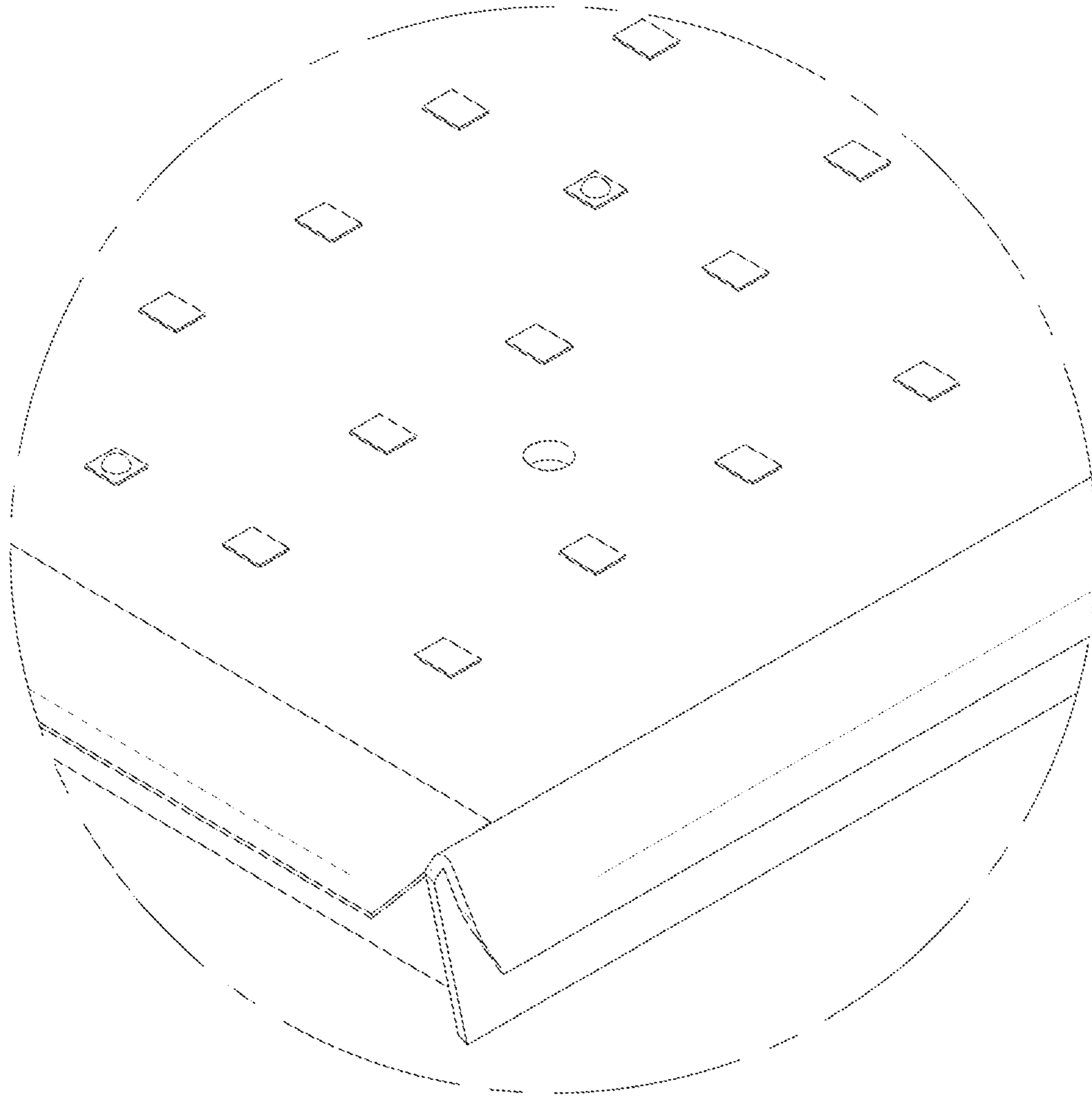


FIG. 18