



US00D927769S

(12) **United States Design Patent**  
**Huang**

(10) **Patent No.:** **US D927,769 S**

(45) **Date of Patent:** **\*\* Aug. 10, 2021**

(54) **STAGE LIGHT**

(71) Applicant: **Zhangjin Huang**, Guangdong (CN)

(72) Inventor: **Zhangjin Huang**, Guangdong (CN)

(\*\*) Term: **15 Years**

(21) Appl. No.: **29/688,698**

(22) Filed: **Apr. 24, 2019**

(51) **LOC (13) Cl.** ..... **26-05**

(52) **U.S. Cl.**  
USPC ..... **D26/118**

(58) **Field of Classification Search**  
USPC ... D26/1, 24, 29, 44, 46, 61, 63, 83, 88, 93,  
D26/118, 119, 123, 124; D16/221, 225,  
D16/230, 231, 234, 235; D14/128, 204;  
D21/514  
CPC ..... F21S 8/00; F21S 8/03; F21S 8/04; F21S  
8/003; F21S 8/028; F21V 21/00; F21V  
21/06; F21V 21/15; F21V 21/30; F21V  
29/74; F21V 29/83; F21V 29/763; F21V  
15/00; F21V 15/01; G03B 21/00; G03B  
21/001; G03B 21/12; G03B 21/14; G03B  
21/145; G03B 17/54

See application file for complete search history.

(56) **References Cited**

**U.S. PATENT DOCUMENTS**

D221,894 S \* 9/1971 Rhoades ..... D26/44  
D322,136 S \* 12/1991 Shima ..... D26/28  
D513,030 S \* 12/2005 Schoenert ..... D16/221  
D514,611 S \* 2/2006 Schoenert ..... D16/221  
7,004,586 B2 \* 2/2006 Morinaga ..... G03B 21/142  
349/58  
7,011,417 B2 \* 3/2006 Kyoto ..... G03B 21/145  
352/243  
D545,861 S \* 7/2007 Naruki ..... D16/221  
D545,864 S \* 7/2007 Naruki ..... D16/221  
D550,268 S \* 9/2007 Naruki ..... D16/221

D590,085 S \* 4/2009 Irvine ..... D26/63  
D607,126 S \* 12/2009 Sakai ..... D26/1  
D616,579 S \* 5/2010 Lloyd ..... D26/44  
8,061,858 B2 \* 11/2011 Belliveau ..... H04N 9/315  
353/119  
D652,983 S \* 1/2012 Quadri ..... D26/118  
D720,481 S \* 12/2014 Demshki, Jr. .... D26/24  
8,955,979 B2 \* 2/2015 Velazquez ..... G03B 21/14  
353/31  
D768,899 S \* 10/2016 Gebhard ..... D26/63  
D834,636 S \* 11/2018 Gan ..... D16/230  
D836,083 S \* 12/2018 Elmieh ..... D14/204  
D842,265 S \* 3/2019 Becker ..... D14/204  
D851,160 S \* 6/2019 Rassadin ..... D16/230  
10,308,330 B1 \* 6/2019 Spivak ..... F21V 21/30  
D853,008 S \* 7/2019 Joyeux ..... D26/72  
D857,270 S \* 8/2019 Recker ..... D26/63  
10,401,013 B2 \* 9/2019 Quadri ..... F21V 29/61  
D862,410 S \* 10/2019 Lee ..... D14/204  
D871,641 S \* 12/2019 Becker ..... D26/63

(Continued)

*Primary Examiner* — Wan Laymon  
*Assistant Examiner* — Clint A Samuel

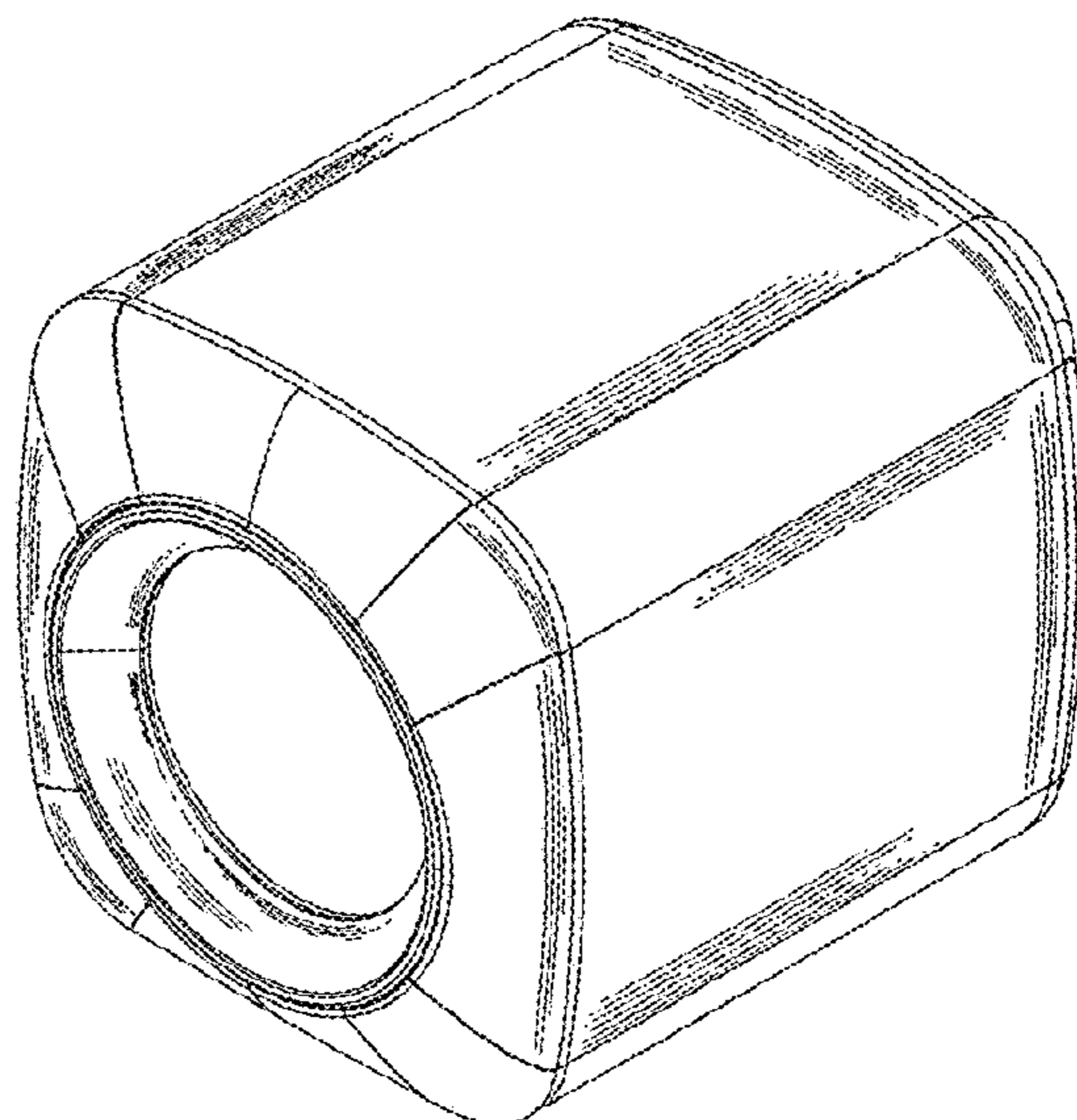
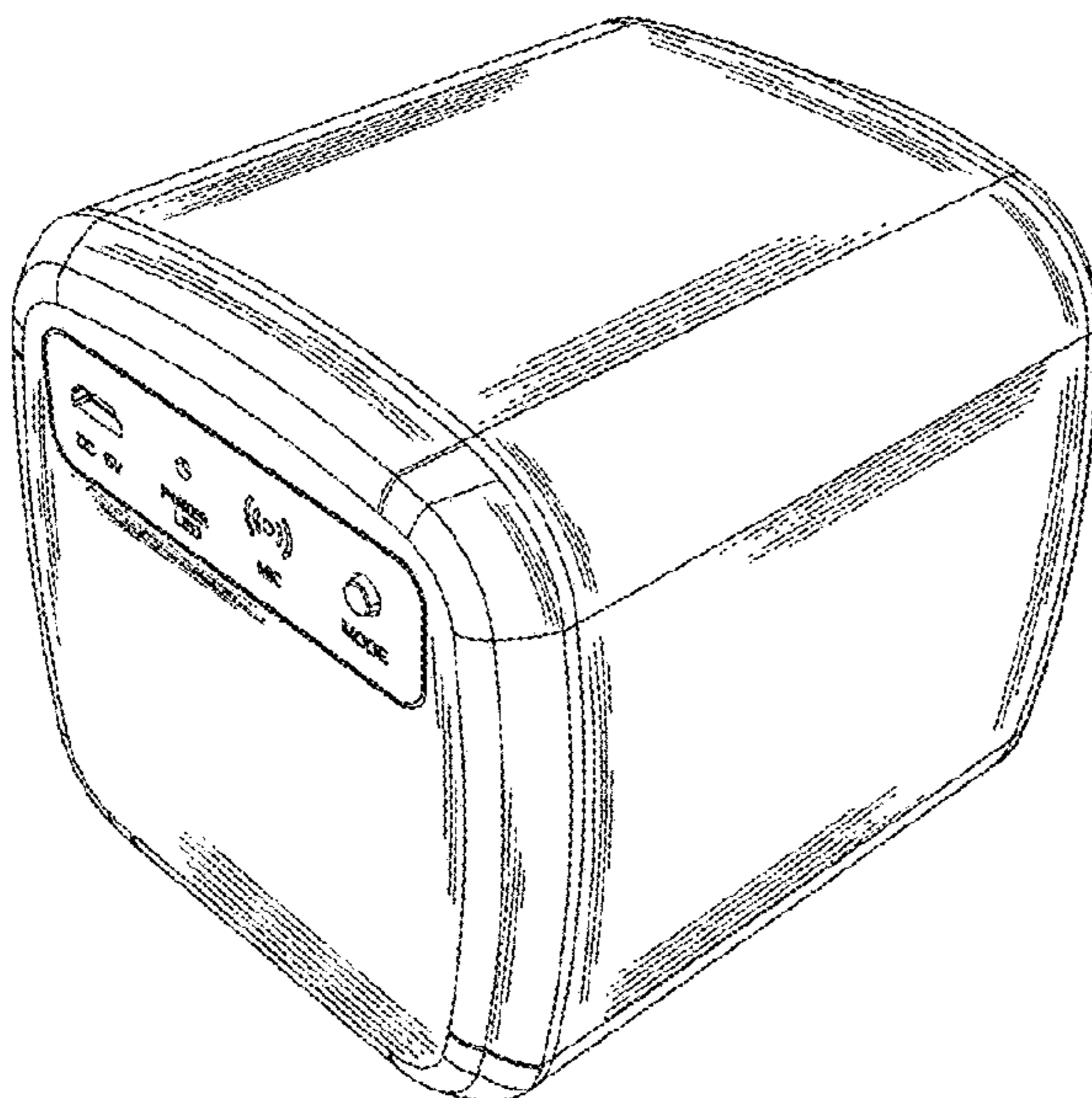
(57) **CLAIM**

The ornamental design for a stage light, as shown and described.

**DESCRIPTION**

FIG. 1 is a perspective view of a stage light showing my new design;  
FIG. 2 is a front elevational view thereof;  
FIG. 3 is a rear elevational view thereof;  
FIG. 4 is a left side elevational view thereof;  
FIG. 5 is a right side elevational view thereof;  
FIG. 6 is a top plan view thereof;  
FIG. 7 is a bottom plan view thereof; and,  
FIG. 8 is a top, left, rear perspective view thereof.  
The portions of the stage light shown in broken lines form no part of the claimed design.

**1 Claim, 8 Drawing Sheets**



(56)

**References Cited**

U.S. PATENT DOCUMENTS

D878,451 S \* 3/2020 Piginio ..... D16/229  
D879,182 S \* 3/2020 Deng ..... D16/230  
D880,565 S \* 4/2020 Hu ..... D16/230  
D882,670 S \* 4/2020 He ..... D16/230  
D885,645 S \* 5/2020 Dennis ..... D26/118  
D896,299 S \* 9/2020 Ou ..... D16/230  
D896,300 S \* 9/2020 Long ..... D16/230  
D901,573 S \* 11/2020 Li ..... D16/221  
D901,740 S \* 11/2020 Bao ..... D26/63  
D902,983 S \* 11/2020 Yin ..... D16/231  
D903,919 S \* 12/2020 Recker ..... D26/63  
D904,495 S \* 12/2020 Deng ..... D16/230  
D907,282 S \* 1/2021 Hathway ..... D26/118  
D909,659 S \* 2/2021 Lin ..... D26/93  
2004/0095761 A1 \* 5/2004 Esakoff ..... H01R 33/06  
362/648  
2018/0084921 A1 \* 3/2018 Huang ..... G03B 21/64  
2020/0309335 A1 \* 10/2020 Quadri ..... F21V 23/0492

\* cited by examiner

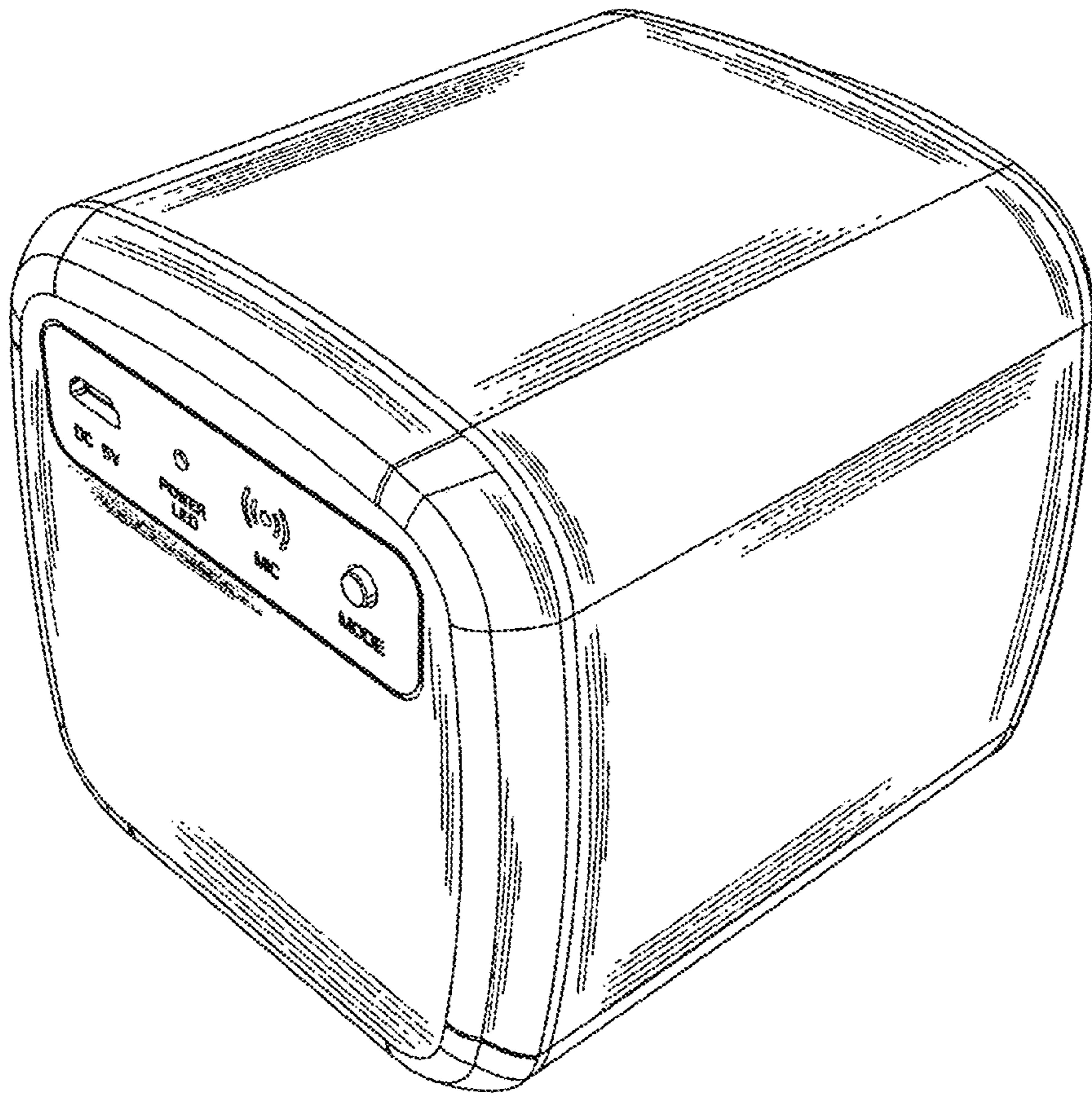


FIG. 1



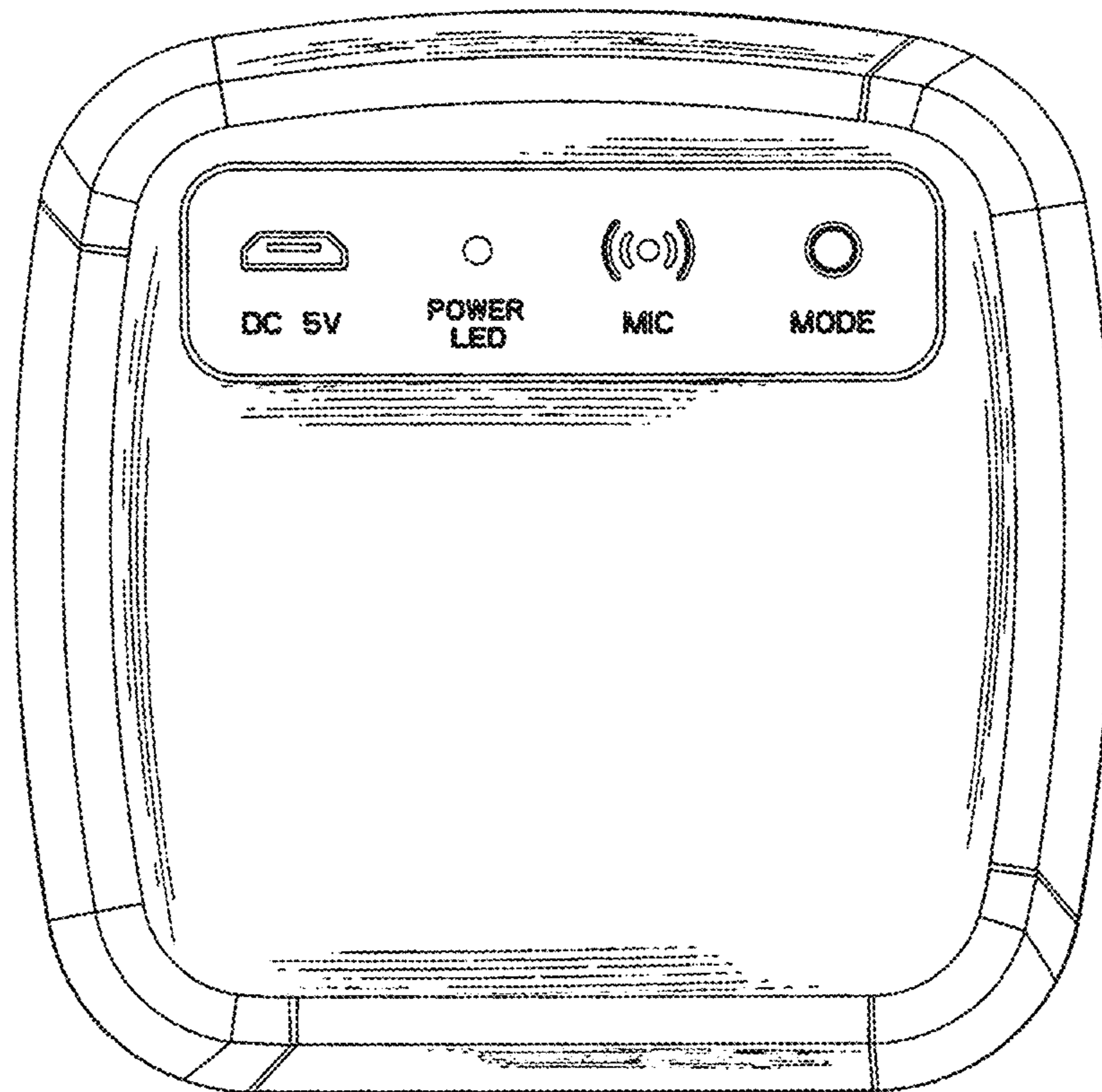


FIG. 2

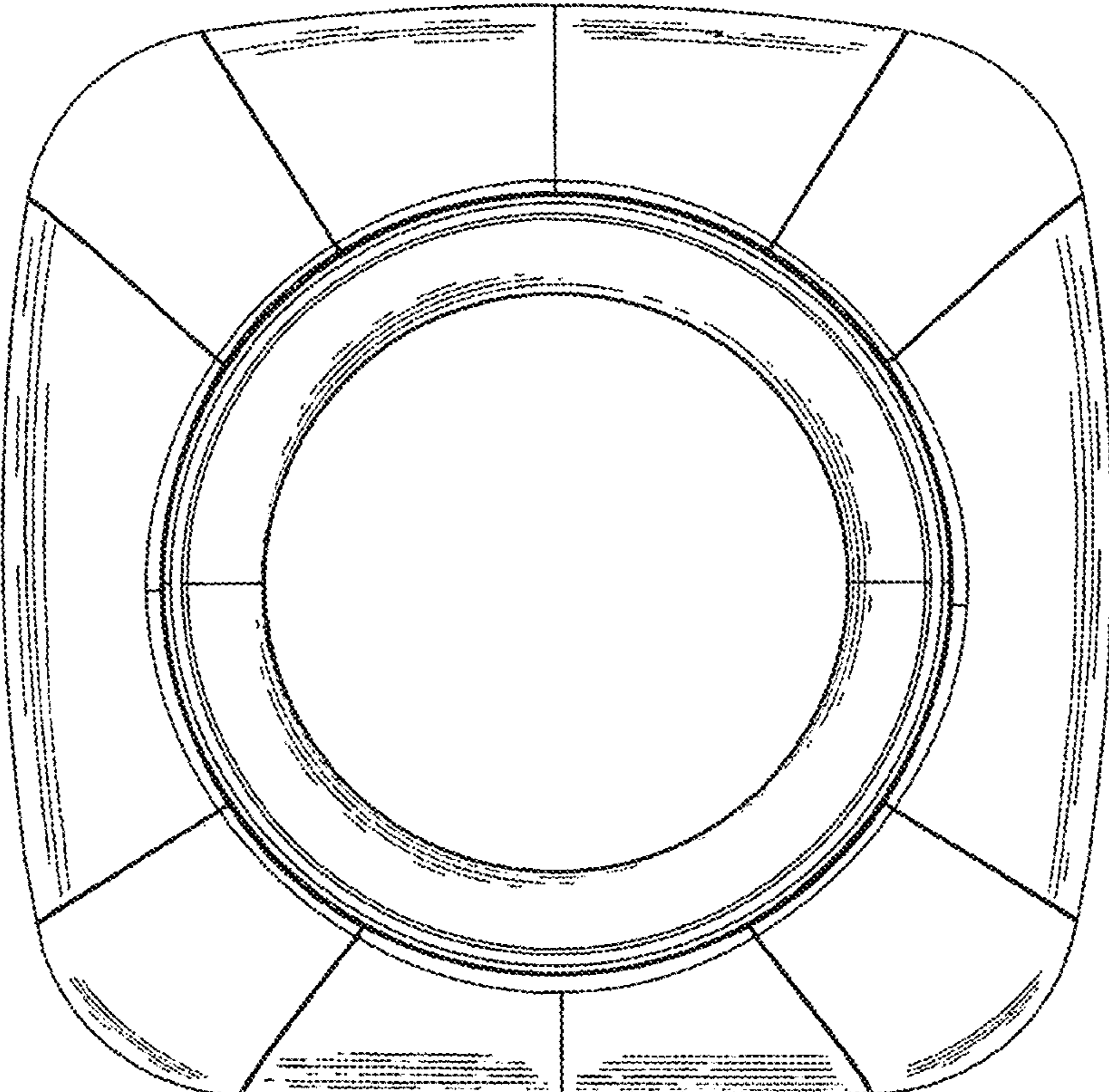


FIG. 3

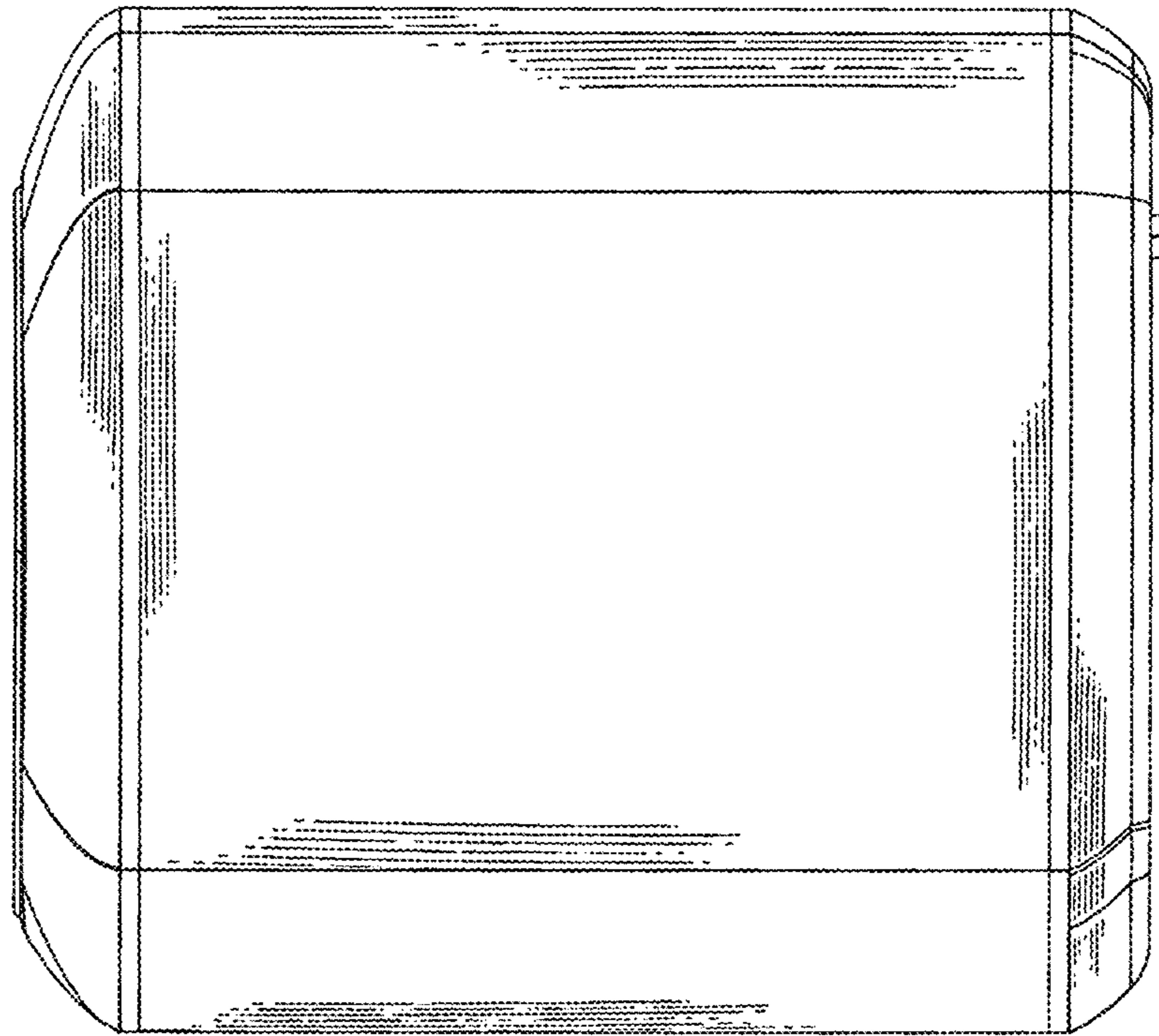


FIG. 4

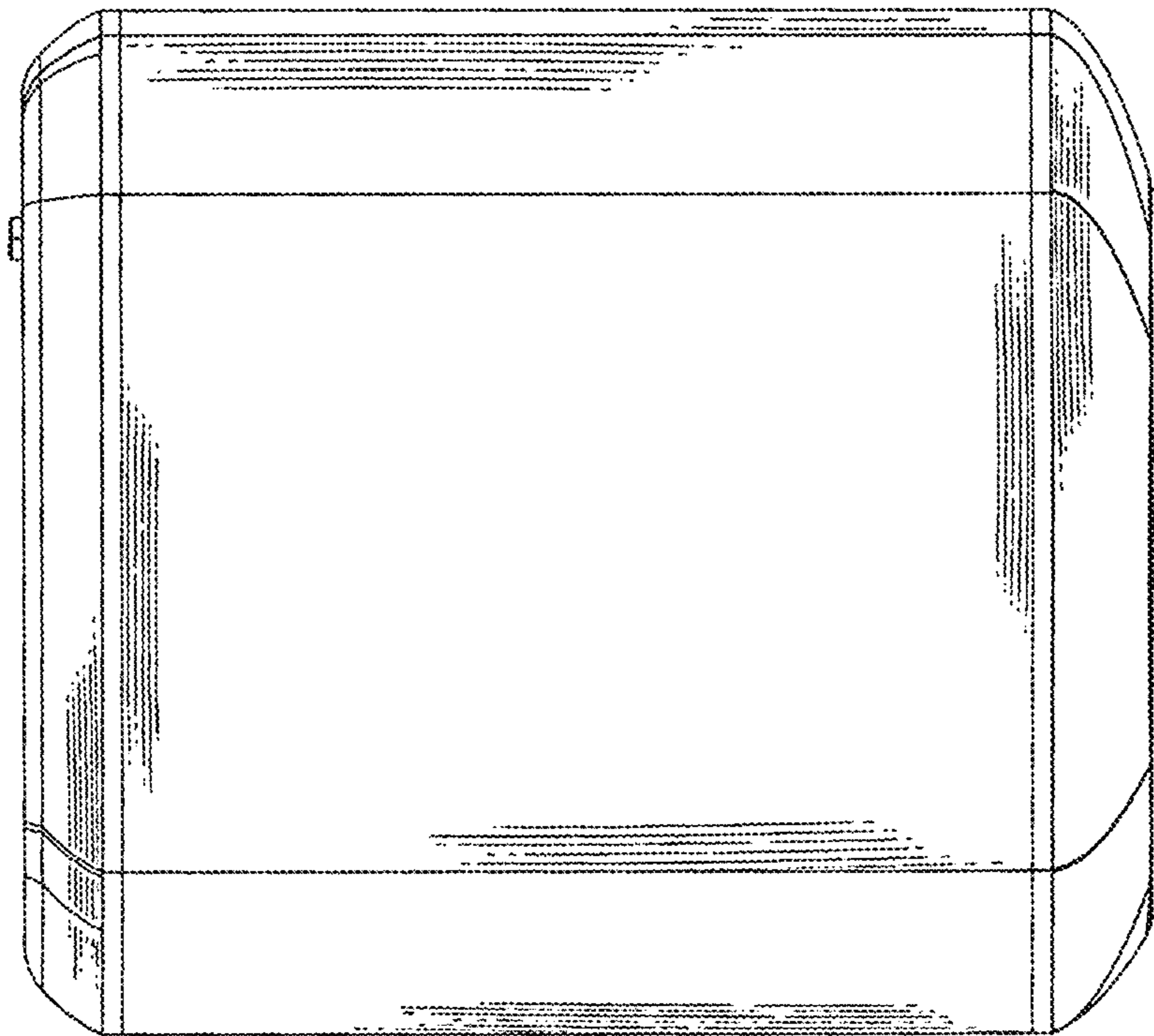


FIG. 5

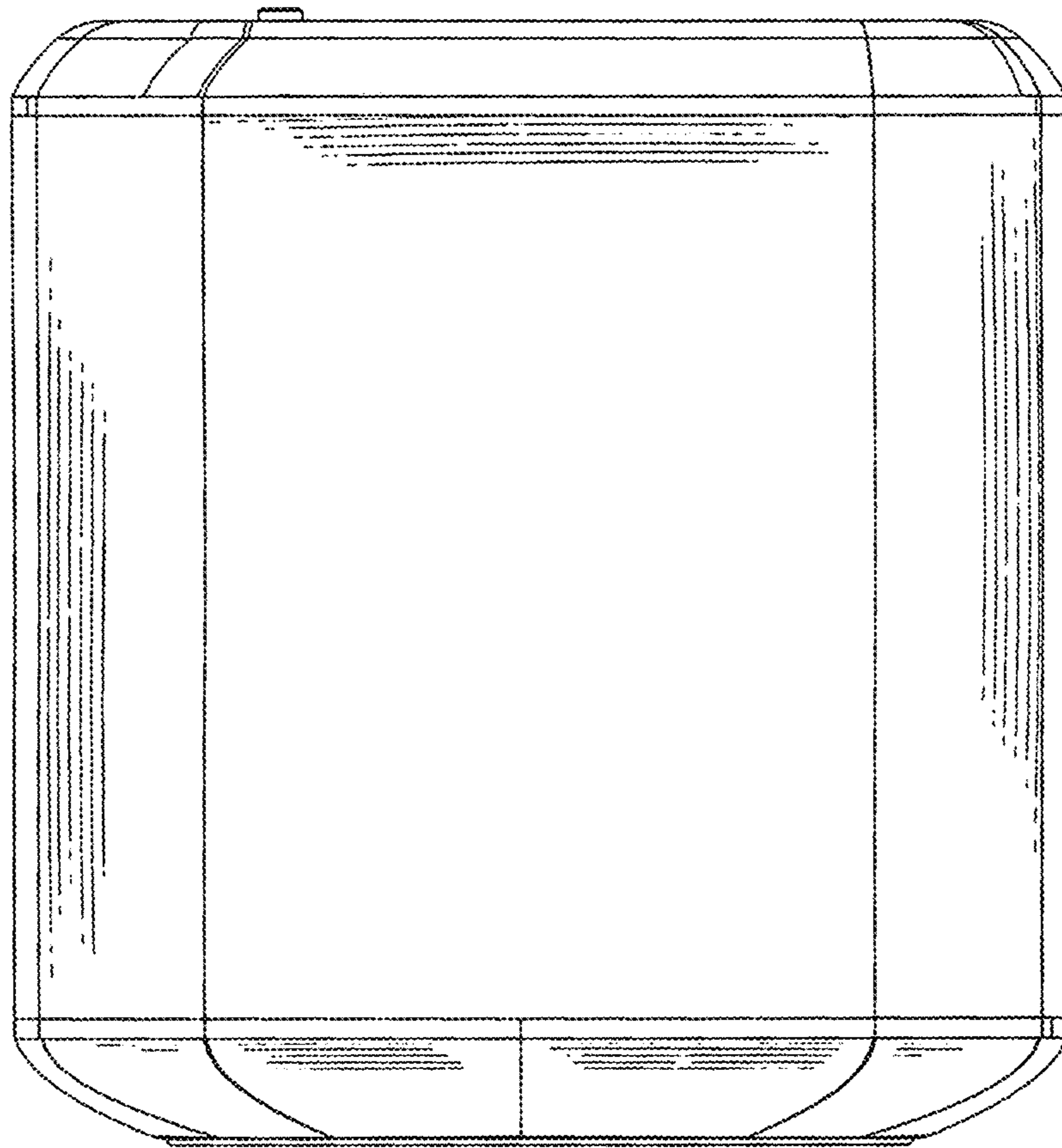


FIG. 6



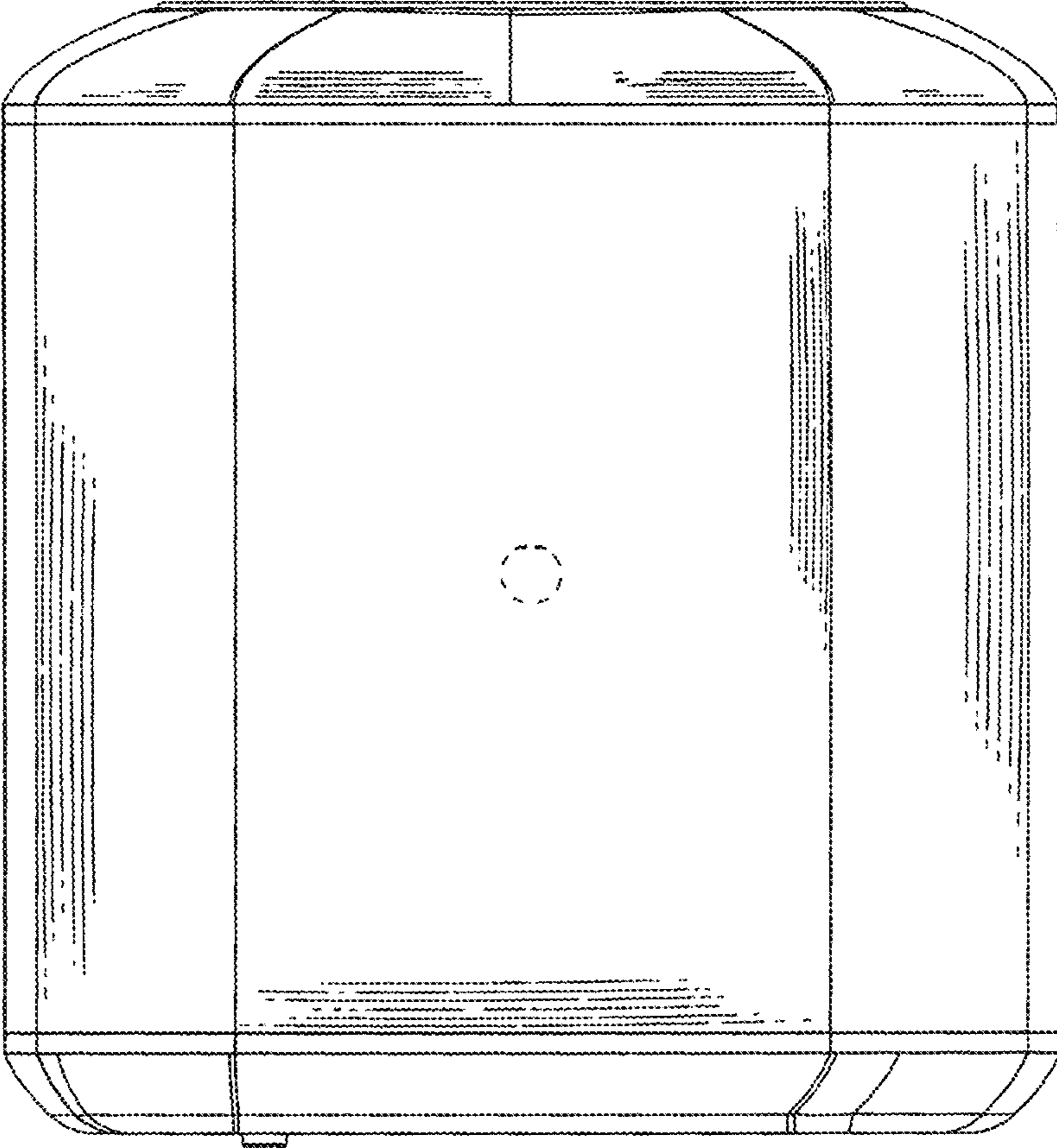


FIG. 7

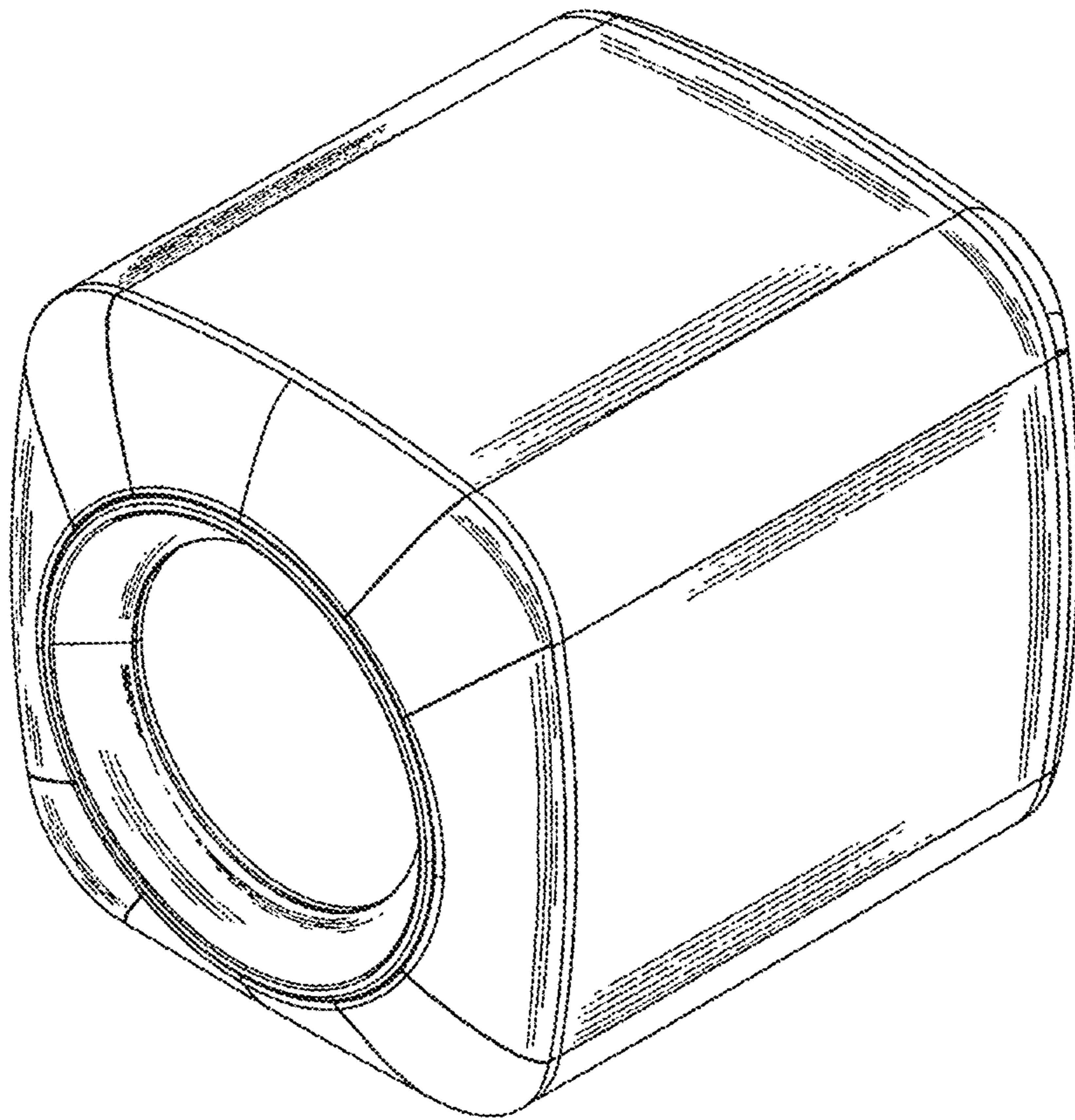


FIG. 8