



US00D927766S

(12) **United States Design Patent**
Lee et al.

(10) **Patent No.:** **US D927,766 S**

(45) **Date of Patent:** **** Aug. 10, 2021**

(54) **LAMP**

(71) Applicant: **KAKAO IX CORP.**, Seoul (KR)

(72) Inventors: **Jong Hyub Lee**, Seoul (KR); **Sato Oki**, Tokyo (JP)

(73) Assignee: **Kakao Commerce Corp.**, Seongnam (KR)

(**) Term: **15 Years**

(21) Appl. No.: **29/704,347**

(22) Filed: **Sep. 4, 2019**

(30) **Foreign Application Priority Data**

Aug. 29, 2019 (KR) 30-2019-0041597

(51) **LOC (13) Cl.** **26-03**

(52) **U.S. Cl.**
USPC **D26/110**

(58) **Field of Classification Search**
USPC D26/93, 104, 106, 110, 112
CPC F21V 3/00; F21V 5/007; F21W 2121/00;
F21W 2131/30; F21S 6/00; F21S 10/00;
F21S 10/06
See application file for complete search history.

(56) **References Cited**

U.S. PATENT DOCUMENTS

D156,223 S * 11/1949 Fail D26/99
D310,729 S * 9/1990 Stearns D26/110

D398,416 S * 9/1998 Huang D26/110
D423,709 S * 4/2000 Jann D26/110
D724,254 S * 3/2015 Sun D26/101
D733,956 S * 7/2015 Ellis D26/110
D762,913 S * 8/2016 Anderson D26/106
D828,609 S * 9/2018 Barber D26/110
D861,963 S * 10/2019 Zhu D26/101

* cited by examiner

Primary Examiner — Brian N. Vinson

(74) *Attorney, Agent, or Firm* — John H. Choi & Associates

(57) **CLAIM**

The ornamental design for a lamp, as shown and described.

DESCRIPTION

FIG. 1 is a top front perspective view of the lamp of the present invention.

FIG. 2 is a front view of the lamp shown in FIG. 1.

FIG. 3 is a rear view of the lamp shown in FIG. 1.

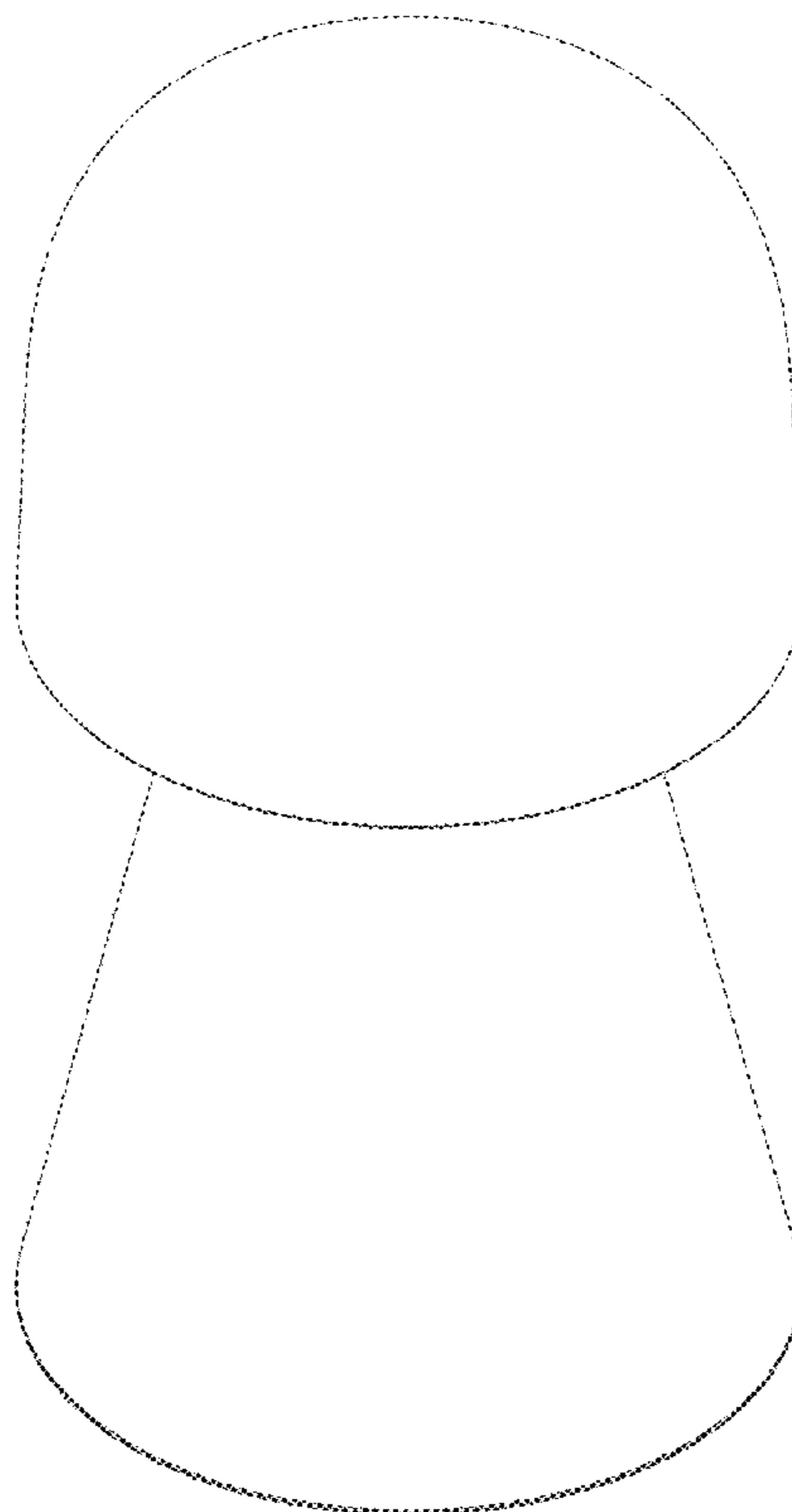
FIG. 4 is a right side view of the lamp shown in FIG. 1.

FIG. 5 is a left side view of the lamp shown in FIG. 1.

FIG. 6 is a top view of the lamp shown in FIG. 1; and,

FIG. 7 is a bottom view of the lamp shown in FIG. 1.

1 Claim, 7 Drawing Sheets



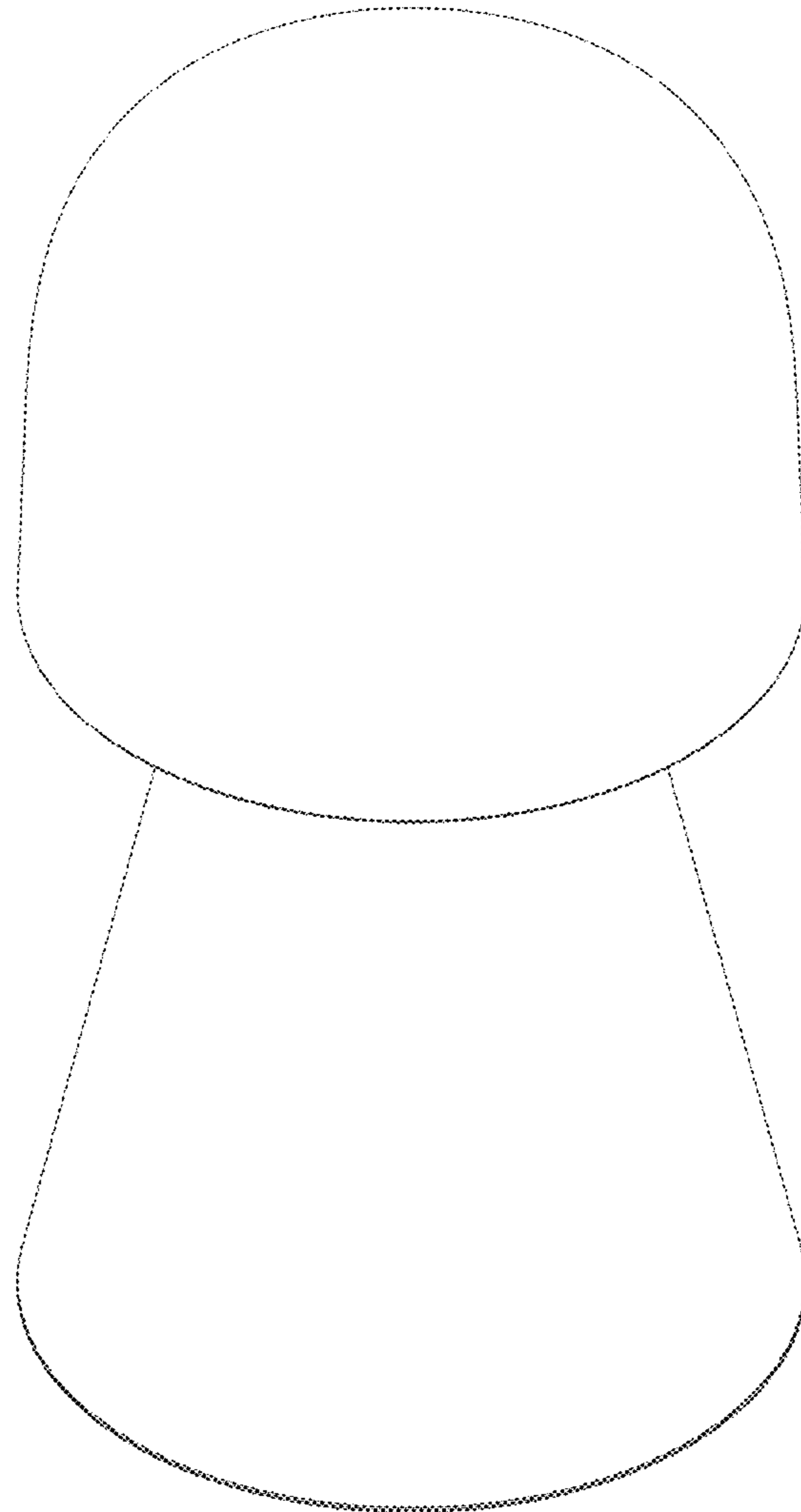


FIG. 1

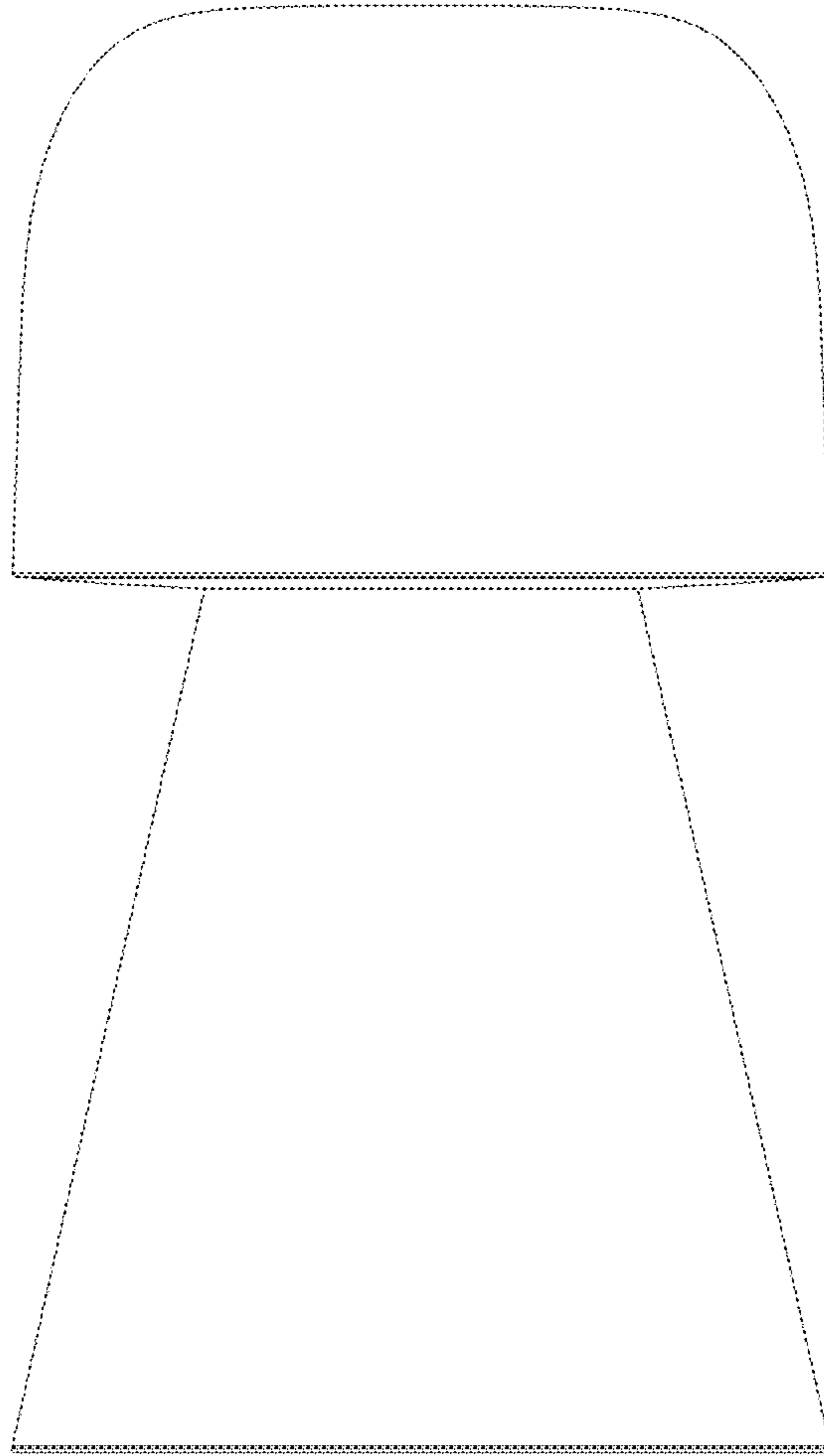


FIG. 2

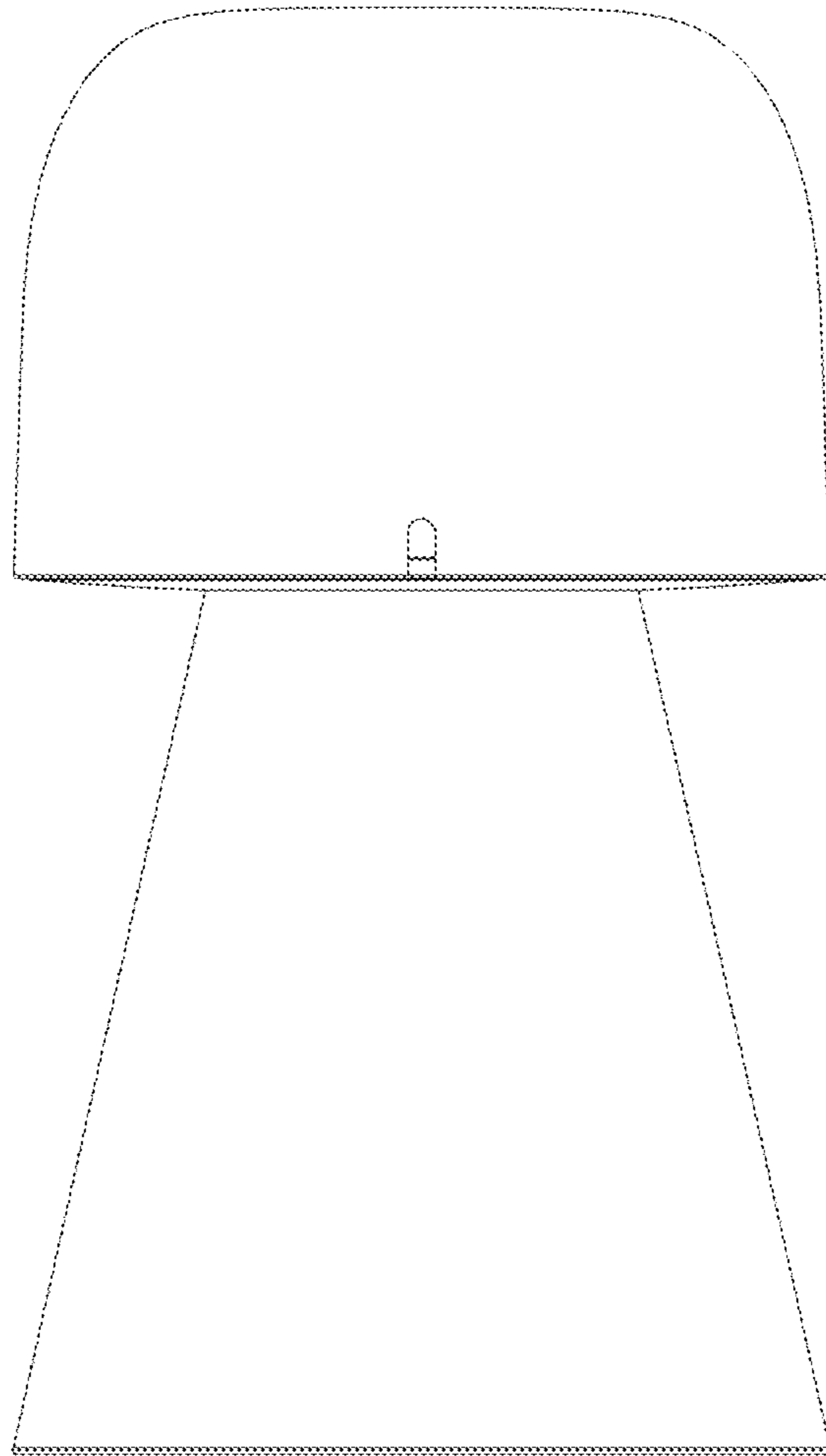


FIG. 3

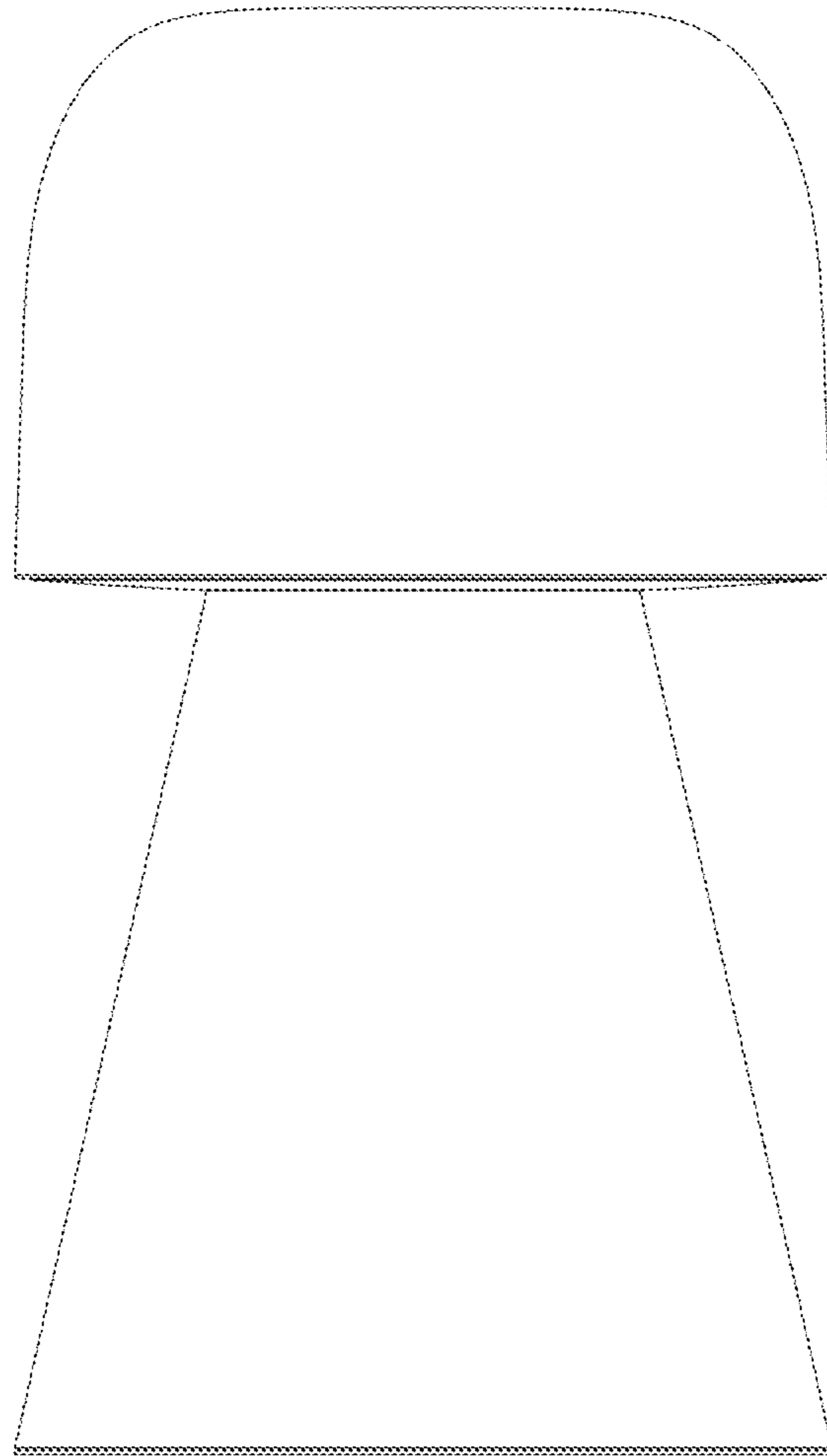


FIG. 4

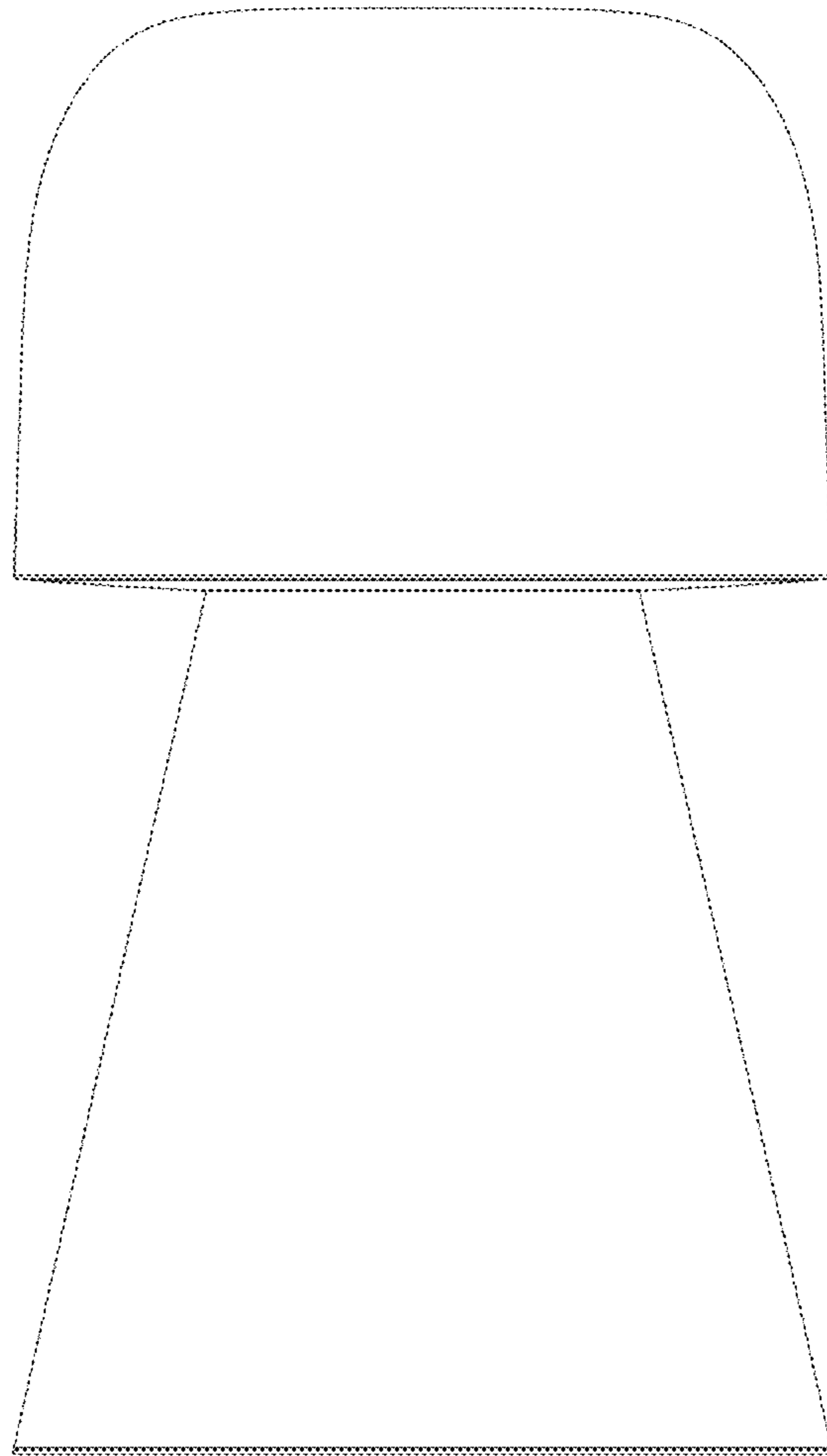


FIG. 5

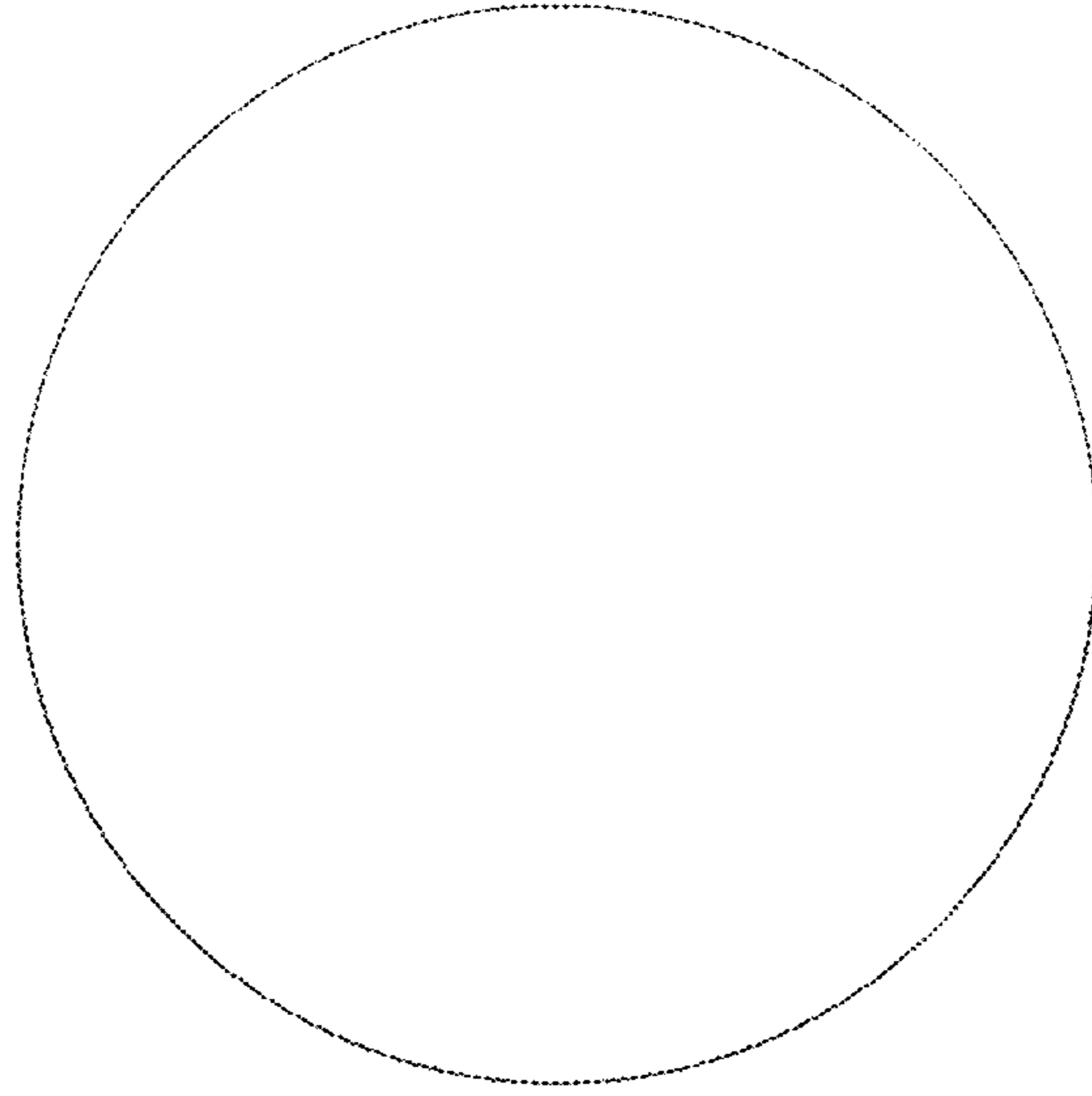


FIG. 6

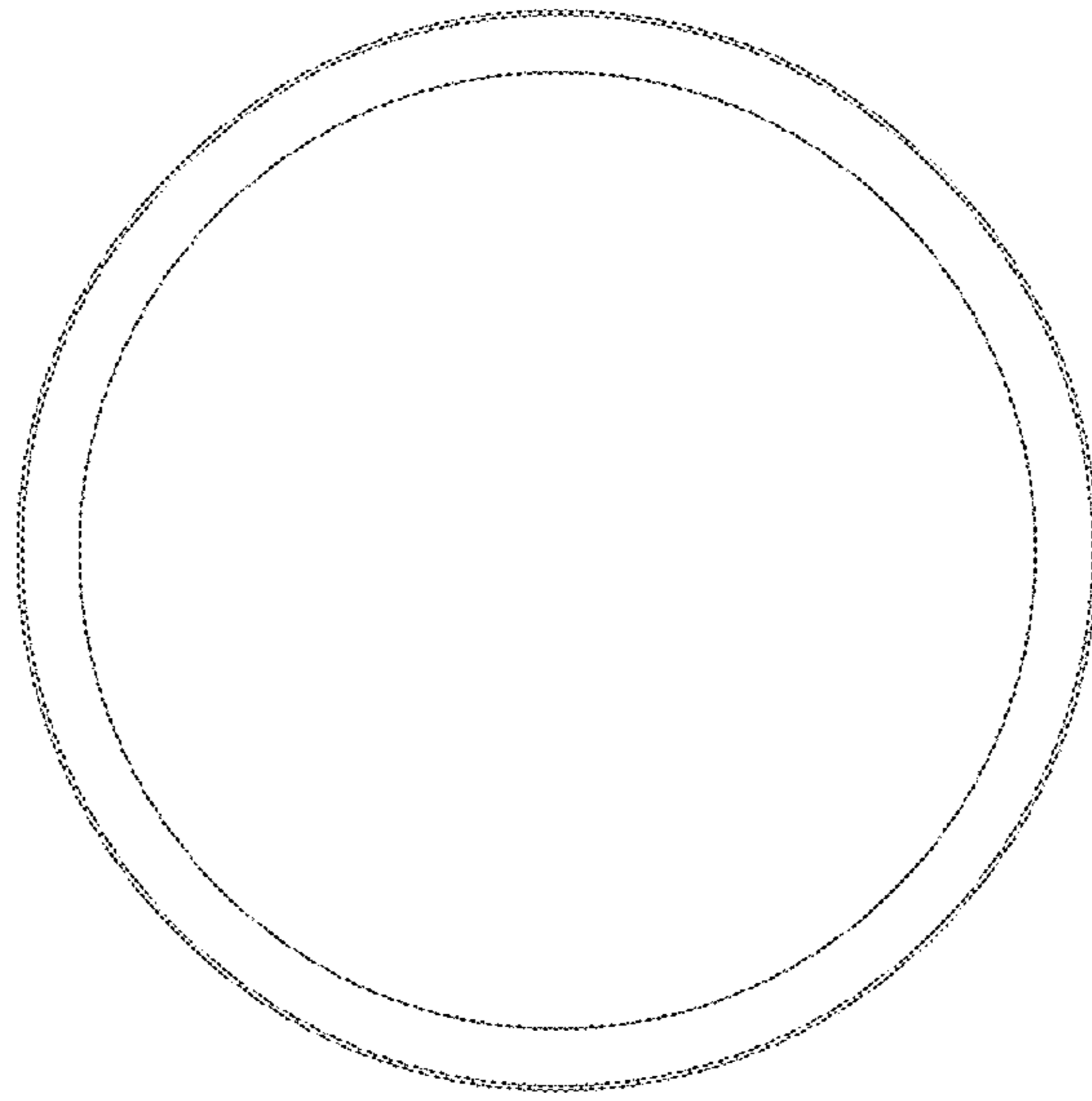


FIG. 7