



US00D927761S

(12) **United States Design Patent** (10) **Patent No.:** **US D927,761 S**
Ricci (45) **Date of Patent:** **** Aug. 10, 2021**

(54) **LAMP** D574,993 S * 8/2008 Silver D26/128
8,348,482 B1 * 1/2013 Arbel F21V 3/061
362/407
(71) Applicant: **LUMINA ITALIA S.r.l.**, Arluno (IT) D759,284 S * 6/2016 De Bevilacqua D26/88
D775,757 S * 1/2017 Anastassiades D26/88
(72) Inventor: **Emanuele Ricci**, Milan (IT) D798,487 S * 9/2017 Thompson D26/88
2019/0242563 A1 * 8/2019 Xu F21V 23/023
(73) Assignee: **LUMINA ITALIA S.r.l.**, Arluno (IT) 2020/0103090 A1 * 4/2020 Chang F21V 3/02

(**) Term: **15 Years**

(21) Appl. No.: **29/703,893**

(22) Filed: **Aug. 30, 2019**

(30) **Foreign Application Priority Data**

Mar. 1, 2019 (EM) 006272746-0001

(51) **LOC (13) Cl.** **26-03**

(52) **U.S. Cl.**
USPC **D26/88**

(58) **Field of Classification Search**
USPC D26/72, 80-86, 88, 90, 134
CPC F21S 8/04; F21S 8/043; F21S 8/046; F21S
8/06; F21S 8/061; F21S 8/063; F21S
8/065

See application file for complete search history.

(56) **References Cited**

U.S. PATENT DOCUMENTS

D39,143 S * 2/1908 Ryan et al. D26/88
2,017,075 A * 10/1935 Logan F21S 13/00
362/307
D125,312 S * 2/1941 Logan D26/88
3,379,872 A * 4/1968 Devine, Jr. F21S 8/088
362/443
D370,545 S * 6/1996 Porter D26/88
D556,361 S * 11/2007 Arbel D26/88

OTHER PUBLICATIONS

ET2 E24591-93PC Swank Metal Band on Clear Acrylic, available at amazon.com Feb. 2, 2018. (Year: 2018).*

* cited by examiner

Primary Examiner — Clare E Heflin

(74) *Attorney, Agent, or Firm* — Nixon & Vanderhye P.C.

(57) **CLAIM**

The ornamental design for a lamp, as shown and described.

DESCRIPTION

FIG. 1 is a front elevation view of a lamp in accordance with my new design;

FIG. 2 is a front, bottom perspective view thereof;

FIG. 3 is a front, top perspective view thereof;

FIG. 4 is a top plan view thereof; and,

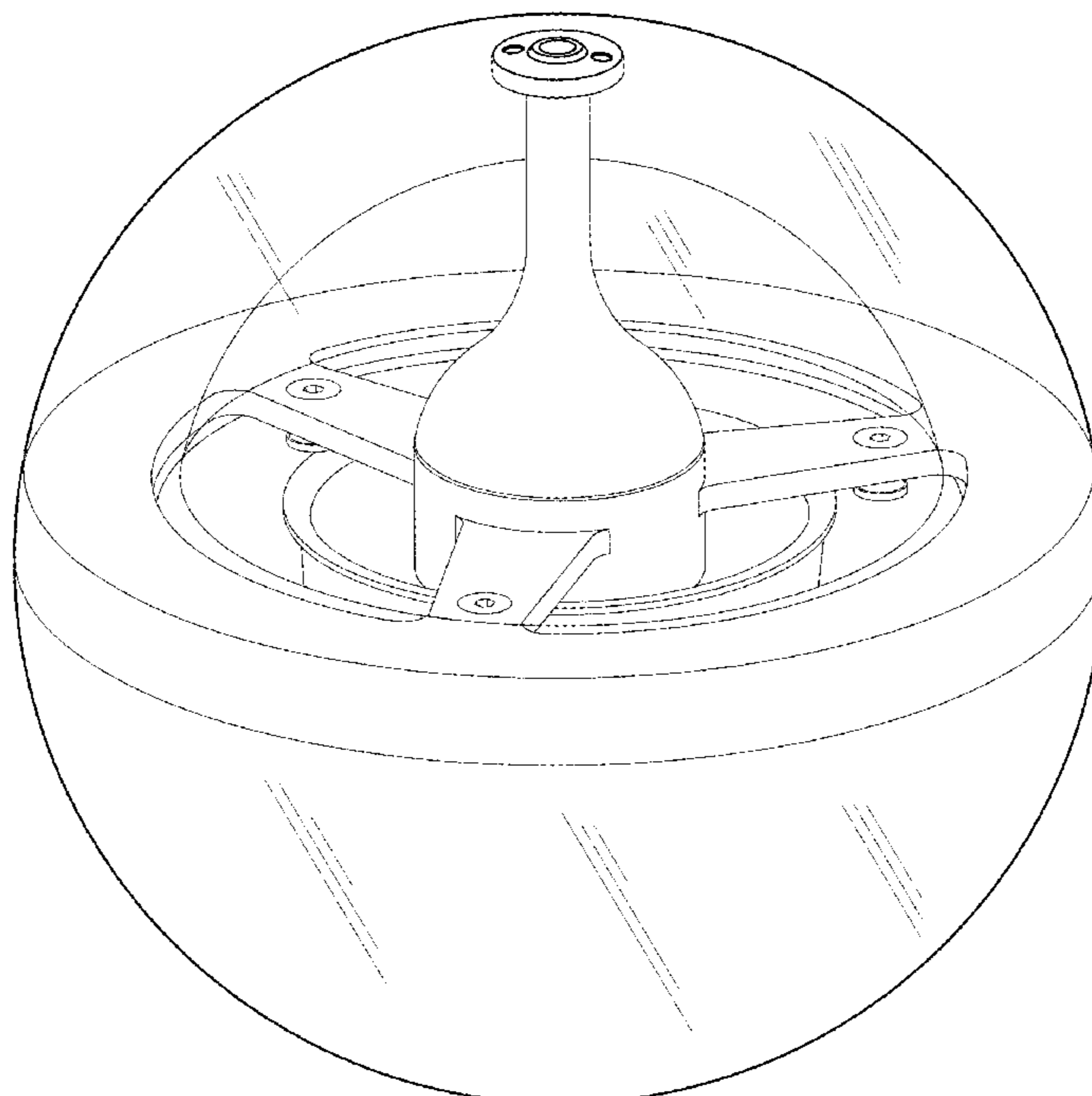
FIG. 5 is a bottom plan view thereof.

The rear elevation view, the right side elevation view, and left side elevation view are the same as FIG. 1.

The lamp comprises a transparent globe which encompasses the structure except for a mount which extends at its north pole.

Where included, the broken lines represent environmental structure or unclaimed portions of the lamp and do not form a portion of the claimed design.

1 Claim, 5 Drawing Sheets



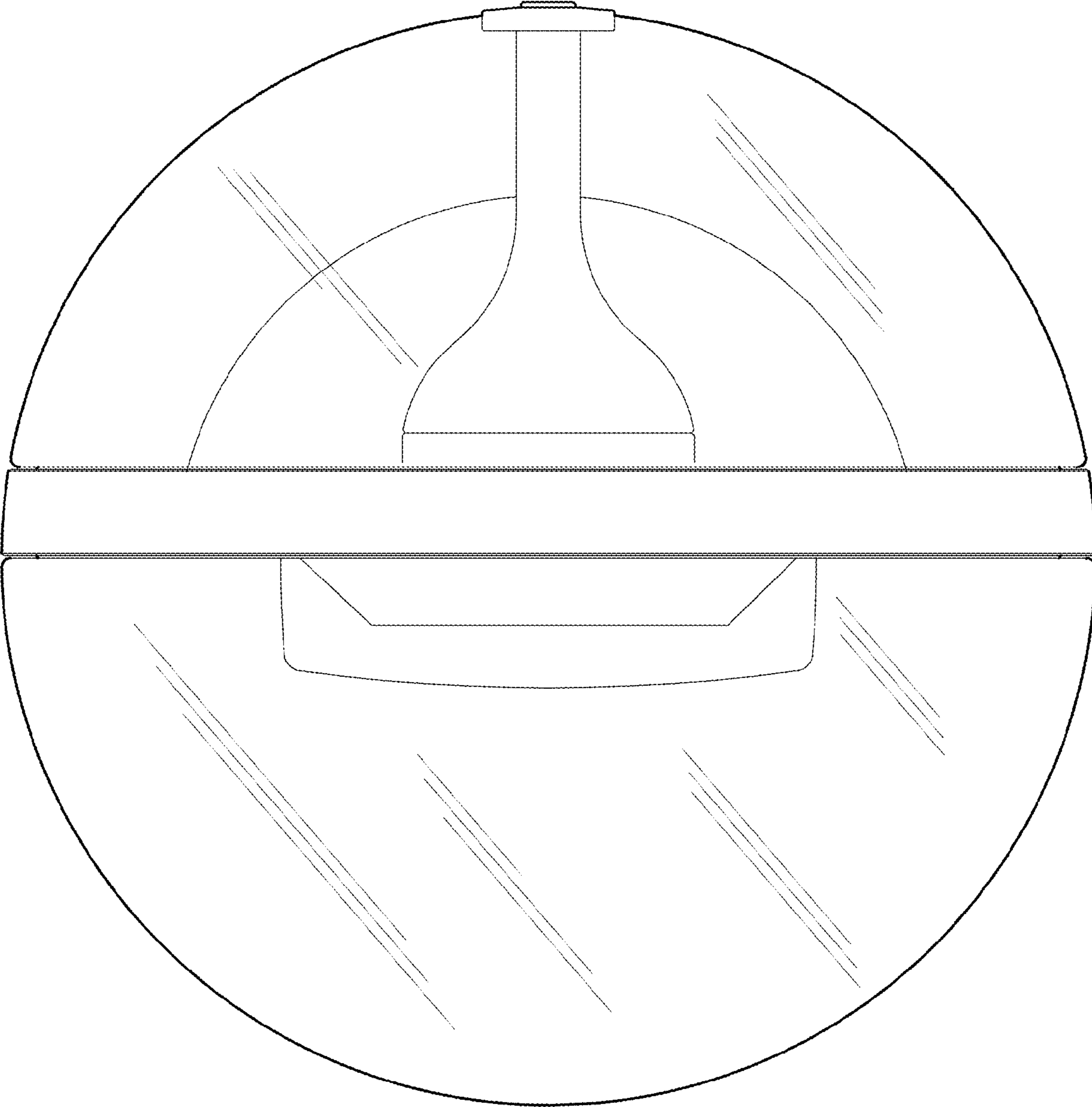


FIG. 1

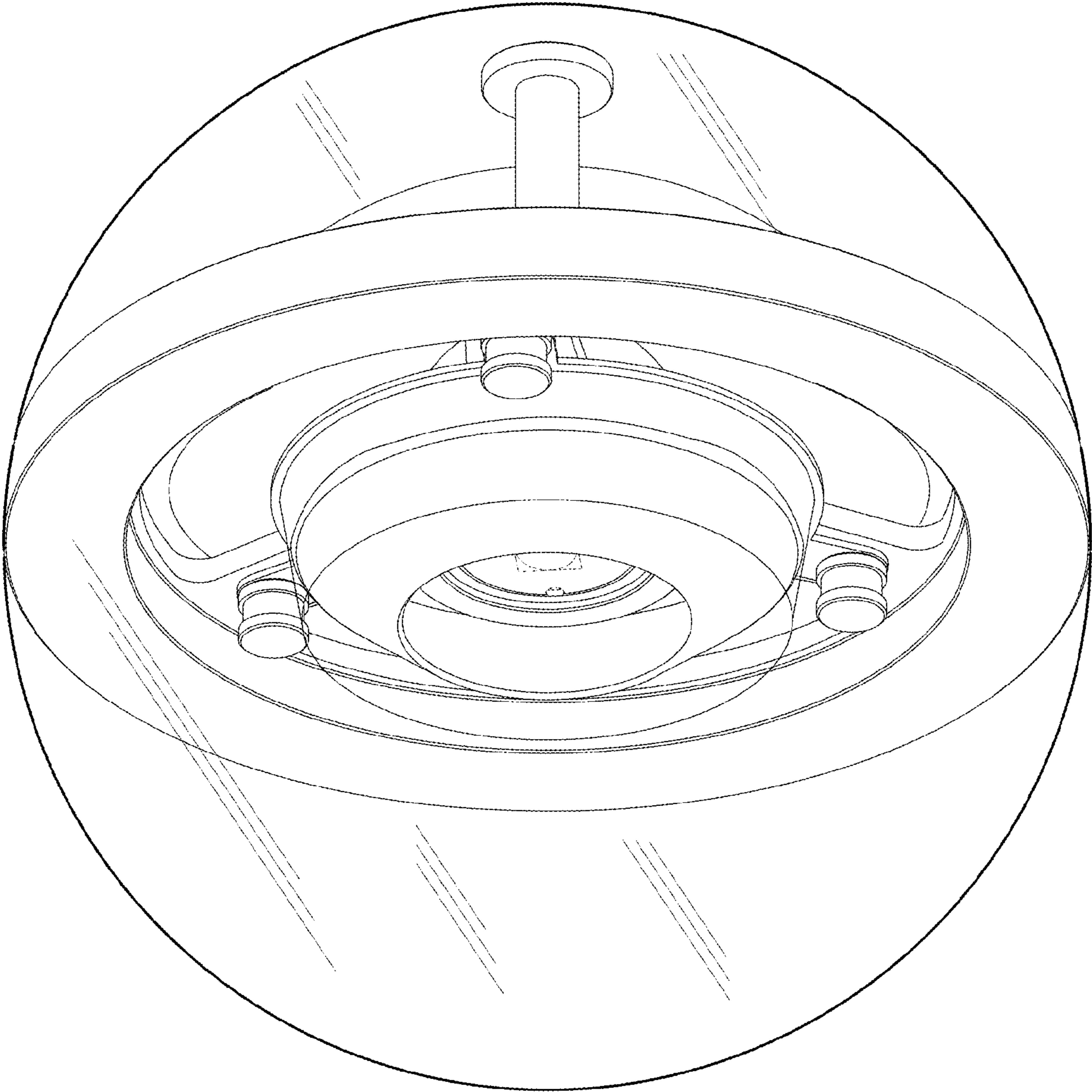


FIG. 2

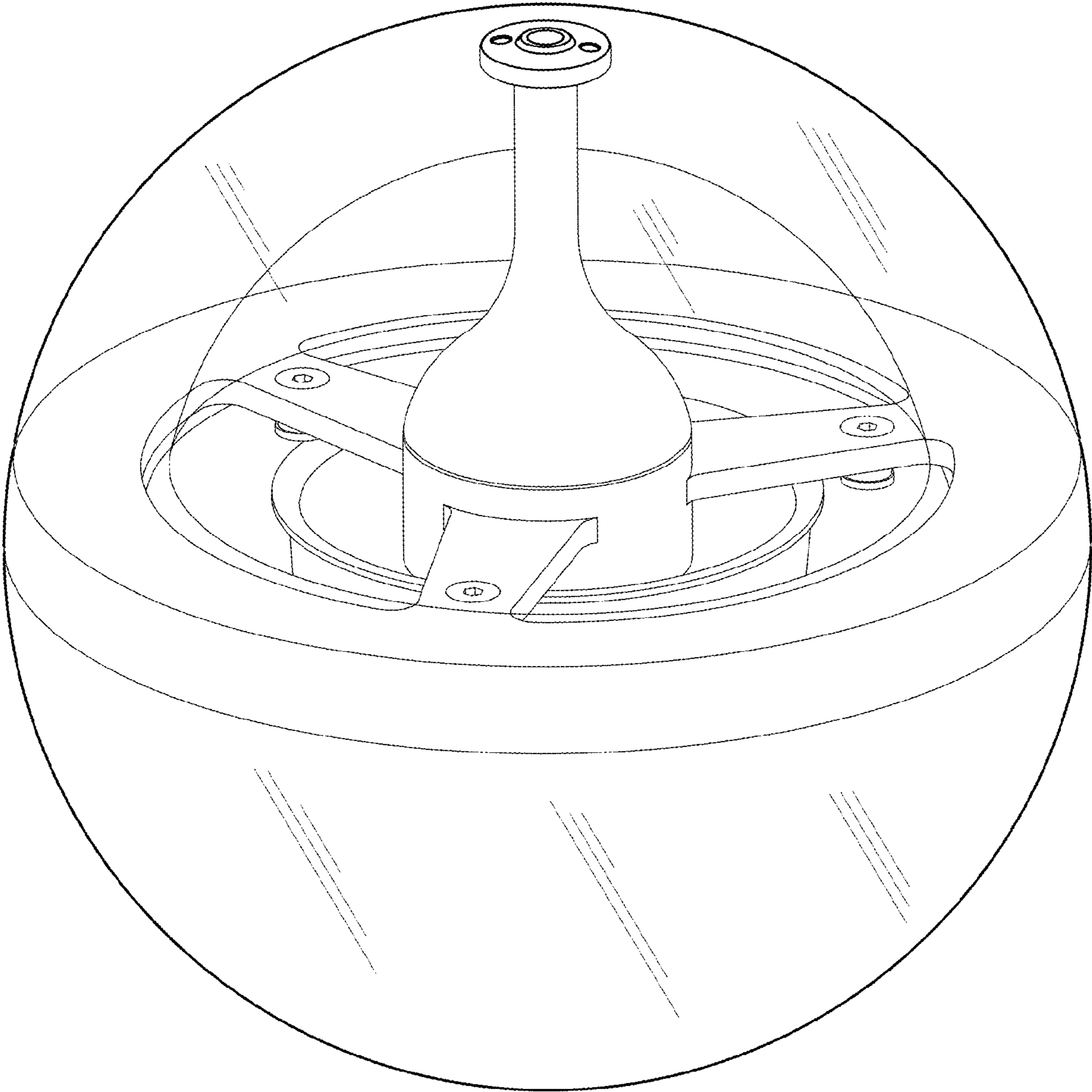


FIG. 3

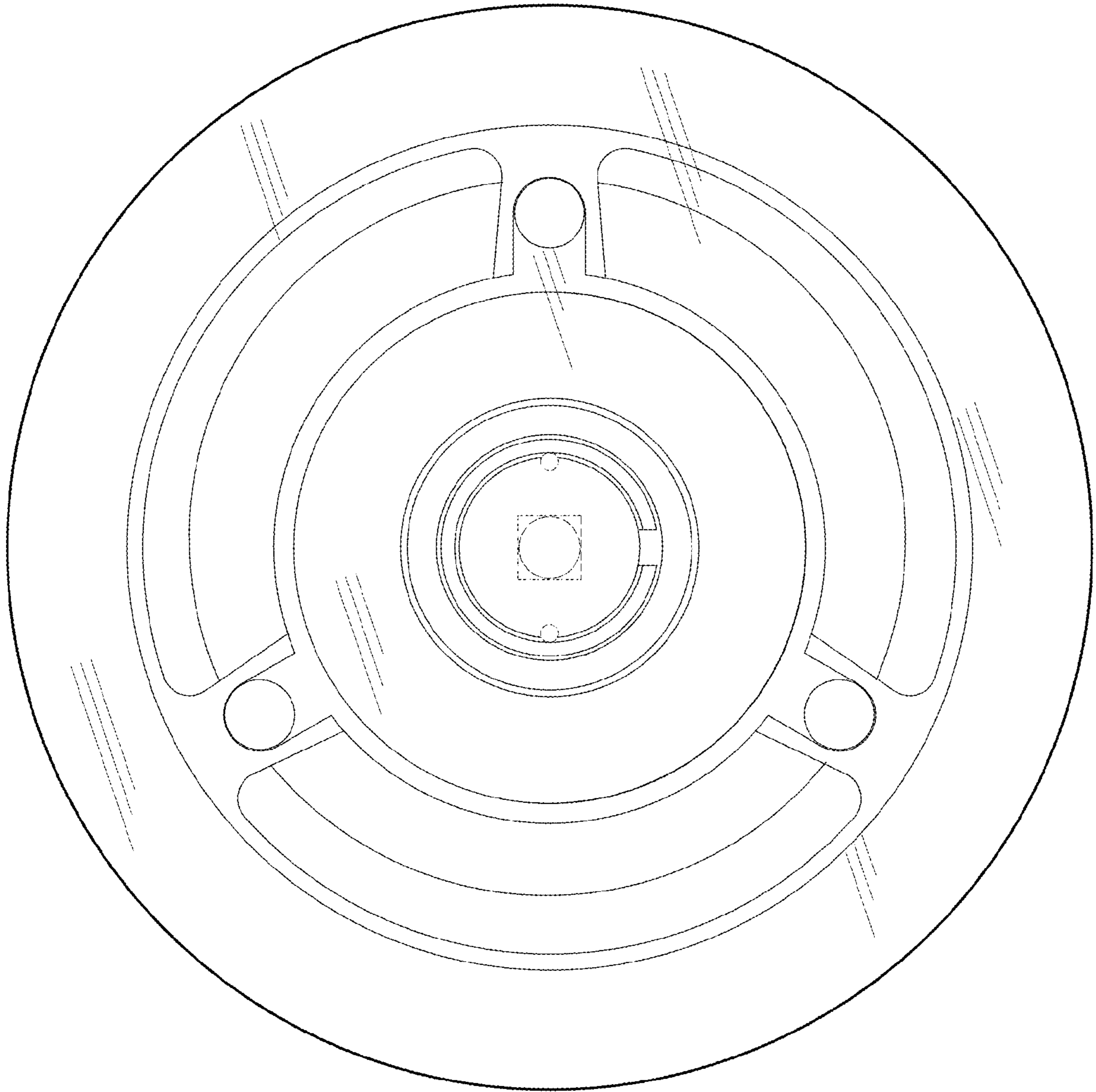


FIG. 4

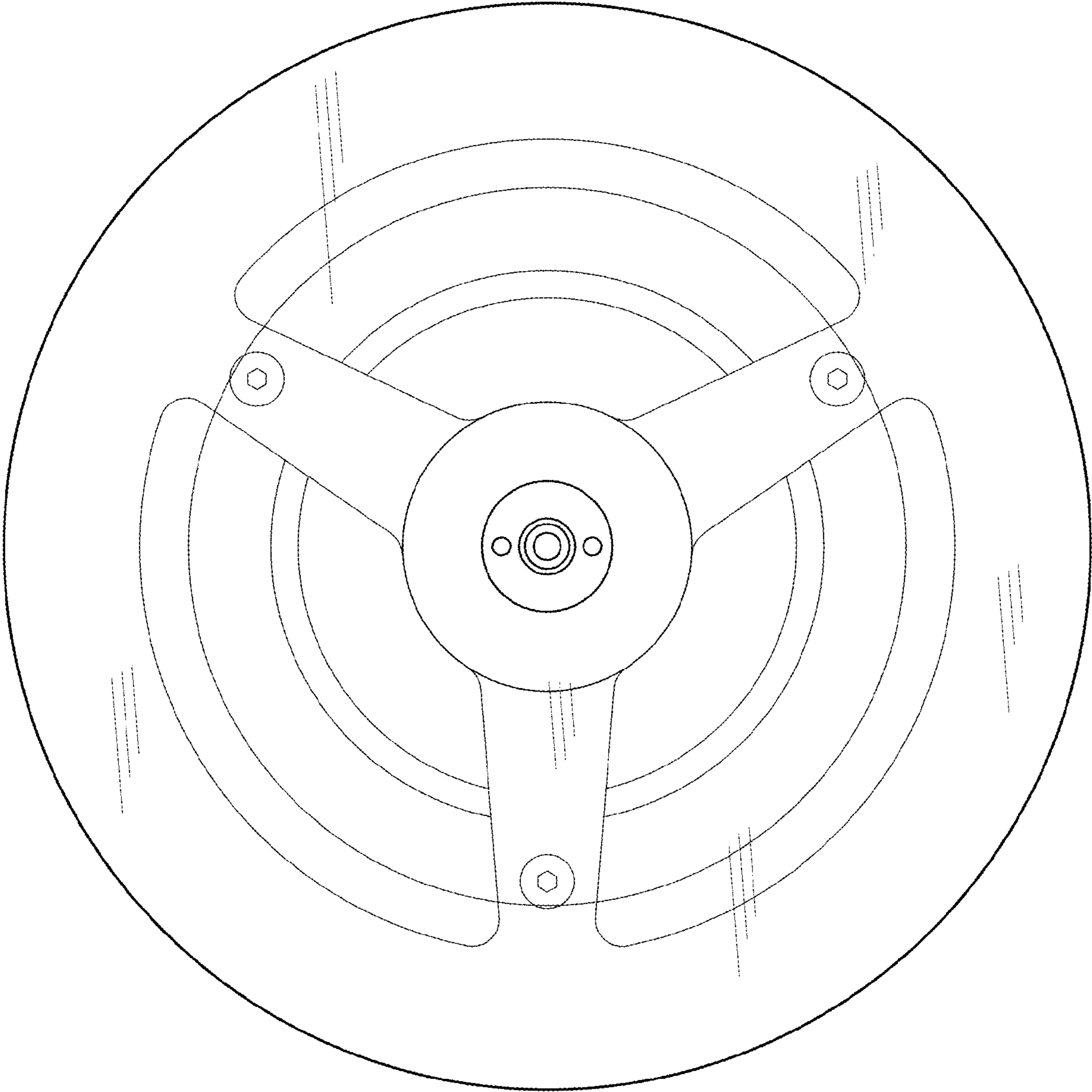


FIG. 5