



US00D927760S

(12) **United States Design Patent**
Cao

(10) **Patent No.:** **US D927,760 S**

(45) **Date of Patent:** **** Aug. 10, 2021**

(54) **LED LAMP AND LANTERN**

(71) Applicant: **RED DOT LED LIGHTING LIMITED**, Shenzhen (CN)

(72) Inventor: **Zhongling Cao**, Shenzhen (CN)

(**) Term: **15 Years**

(21) Appl. No.: **29/729,840**

(22) Filed: **Mar. 31, 2020**

(51) **LOC (13) Cl.** **26-04**

(52) **U.S. Cl.**
USPC **D26/76**

(58) **Field of Classification Search**
USPC D26/142, 152, 113, 118, 119, 154, 61,
D26/62, 65, 75, 76, 16, 1, 2, 3, 120, 138,
D26/128, 144, 121, 122, 64, 153, 155,
D26/140
CPC F21Y 2101/02; F21Y 2103/003; F21Y
2103/00; F21K 9/17; F21S 4/008
See application file for complete search history.

(56) **References Cited**

U.S. PATENT DOCUMENTS

D629,957 S	*	12/2010	Lodhie	D26/118
D711,030 S	*	8/2014	Zhan	D26/65
D711,577 S	*	8/2014	Zhan	D26/65
D819,879 S	*	6/2018	Oudina	D26/142
D848,654 S	*	5/2019	Zhu	D26/63

D880,742 S	*	4/2020	Li	D26/61
D887,605 S	*	6/2020	Zhan	D26/61
D887,609 S	*	6/2020	Wu	D26/63
D911,595 S	*	2/2021	Giessler	D26/118
2013/0033862 A1	*	2/2013	Yang	F21V 23/026 362/235

* cited by examiner

Primary Examiner — Mark A Goodwin
Assistant Examiner — Benjamin M Weeks

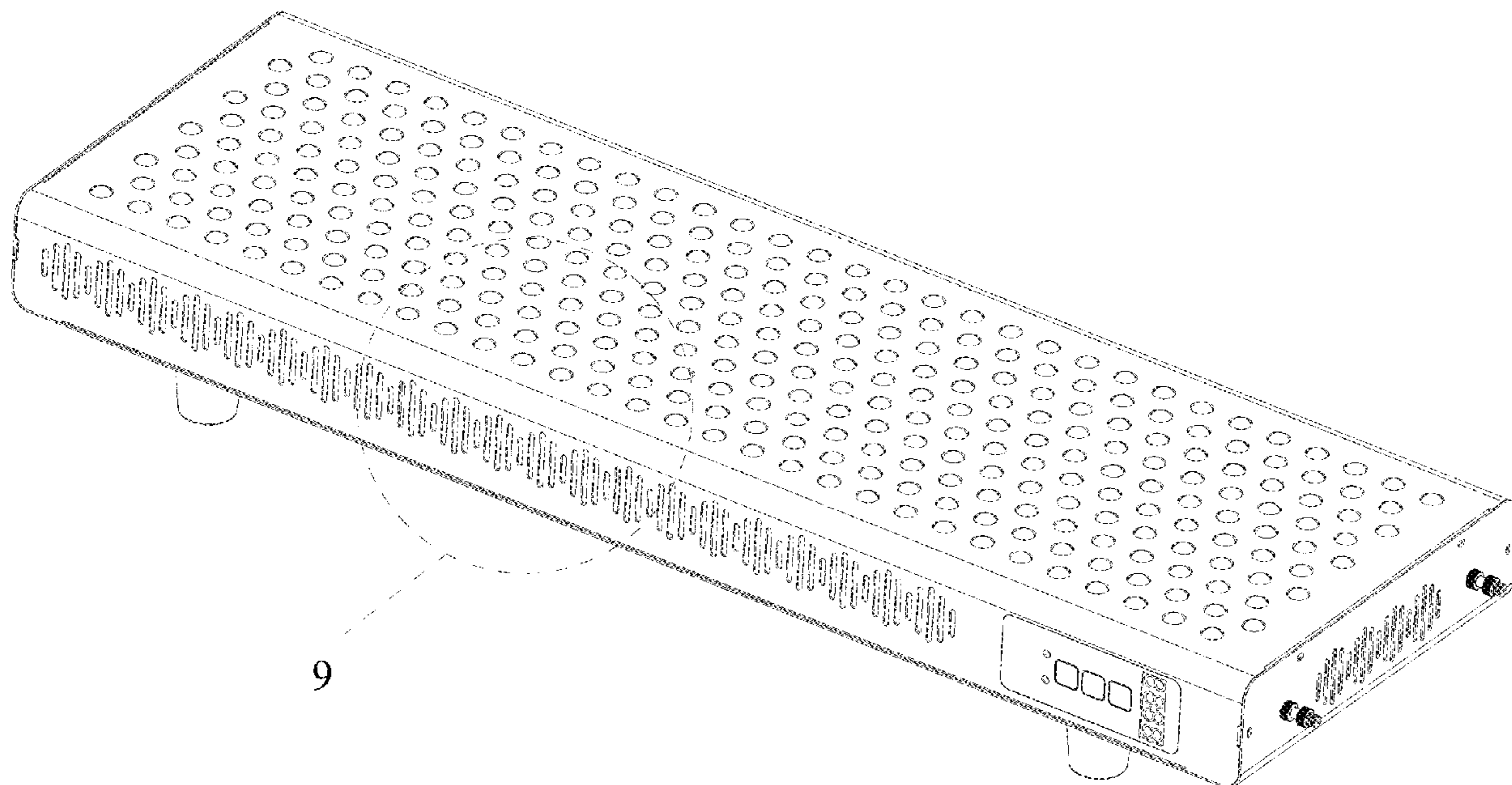
(57) **CLAIM**

The ornamental design for a LED lamp and lantern, as shown and described.

DESCRIPTION

FIG. 1 is a perspective view of a LED lamp and lantern showing my new design;
FIG. 2 is another perspective view thereof;
FIG. 3 is a front view thereof;
FIG. 4 is a rear view thereof;
FIG. 5 is a left side view thereof;
FIG. 6 is a right side view thereof;
FIG. 7 is a top plan view thereof;
FIG. 8 is a bottom plan view thereof;
FIG. 9 is an enlarged view thereof taken along the highlighted area 9 in FIG. 1; and,
FIG. 10 is an enlarged view thereof taken along the highlighted area 10 in FIG. 4.
The broken lines designate enlarged areas and form no part of the claimed design.

1 Claim, 10 Drawing Sheets



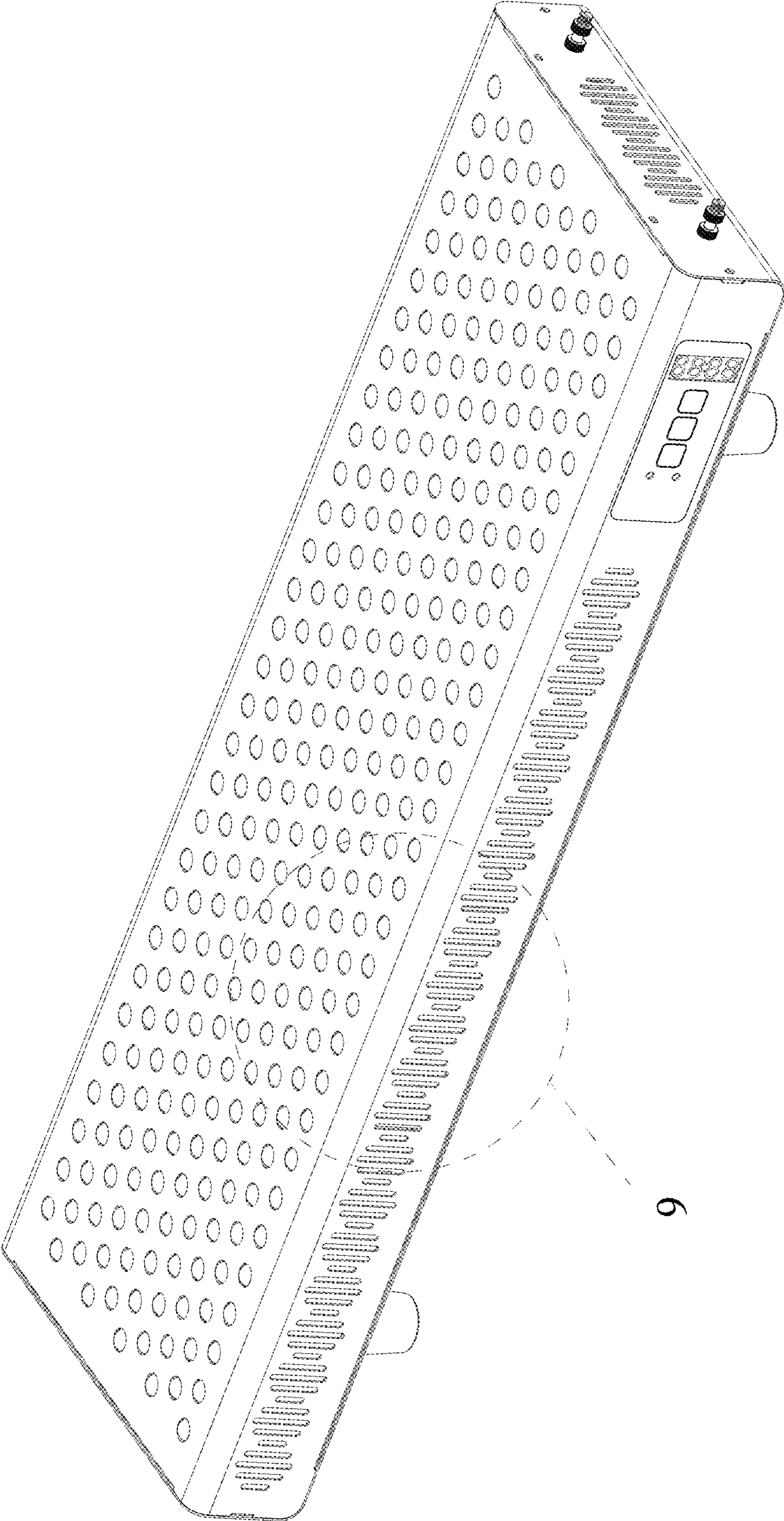


FIG. 1

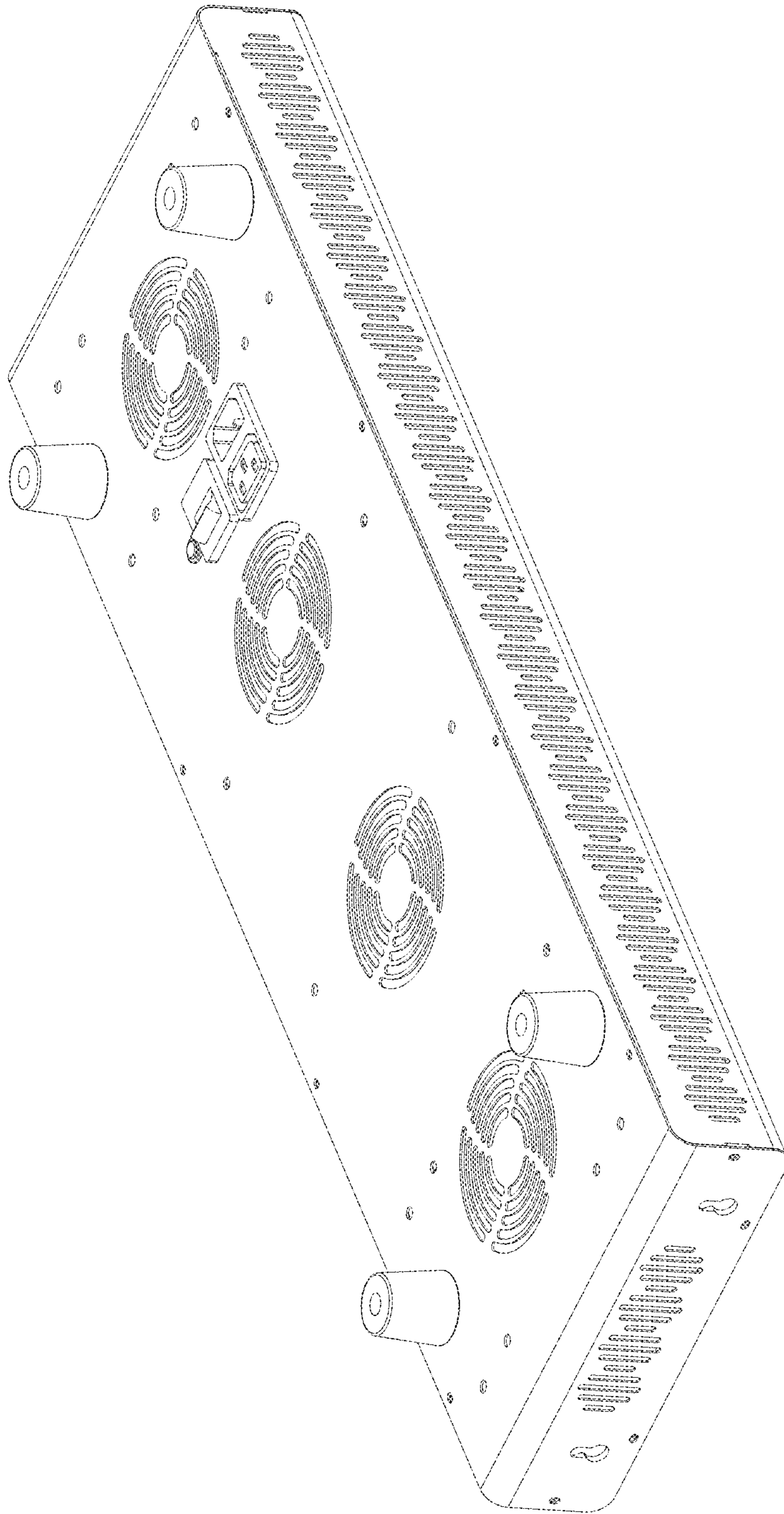


FIG. 2

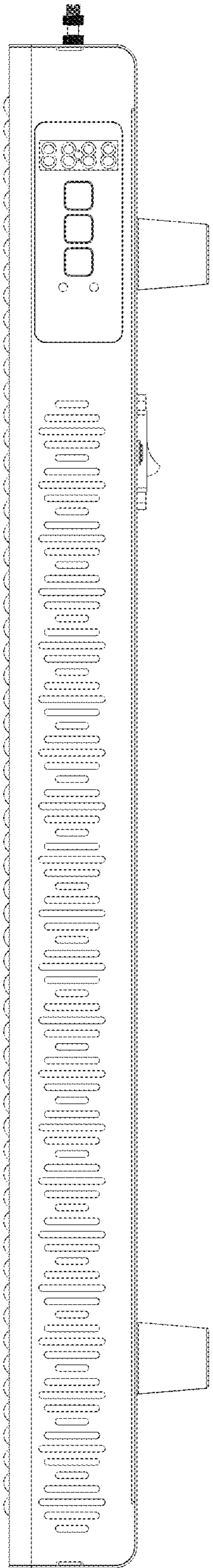


FIG. 3

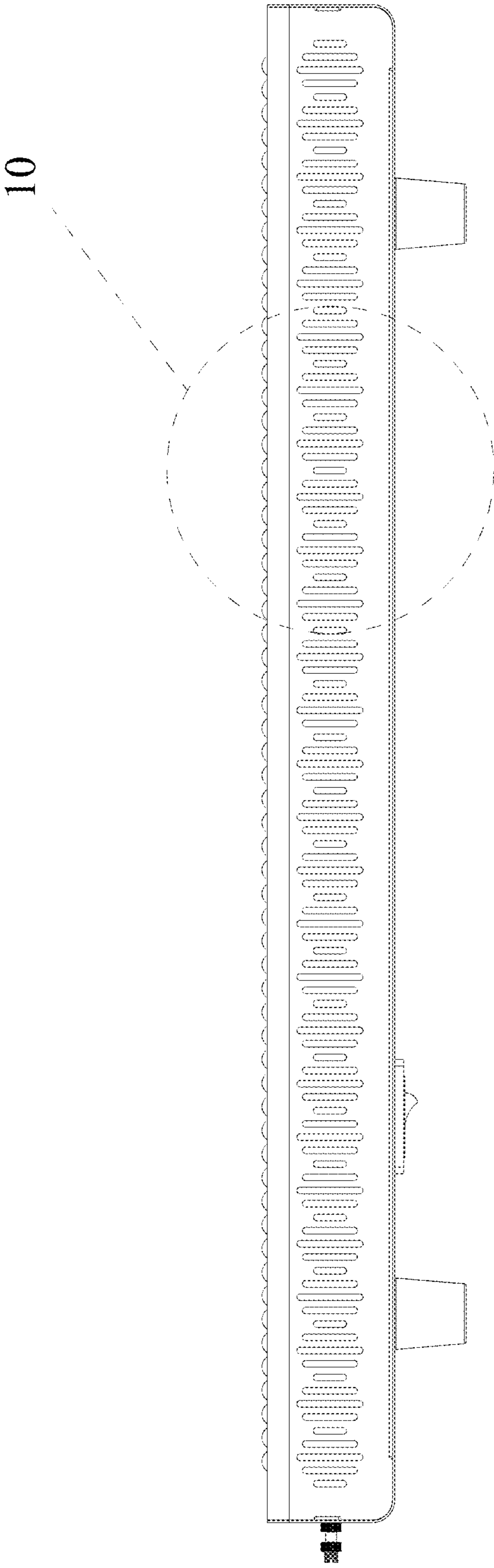


FIG. 4

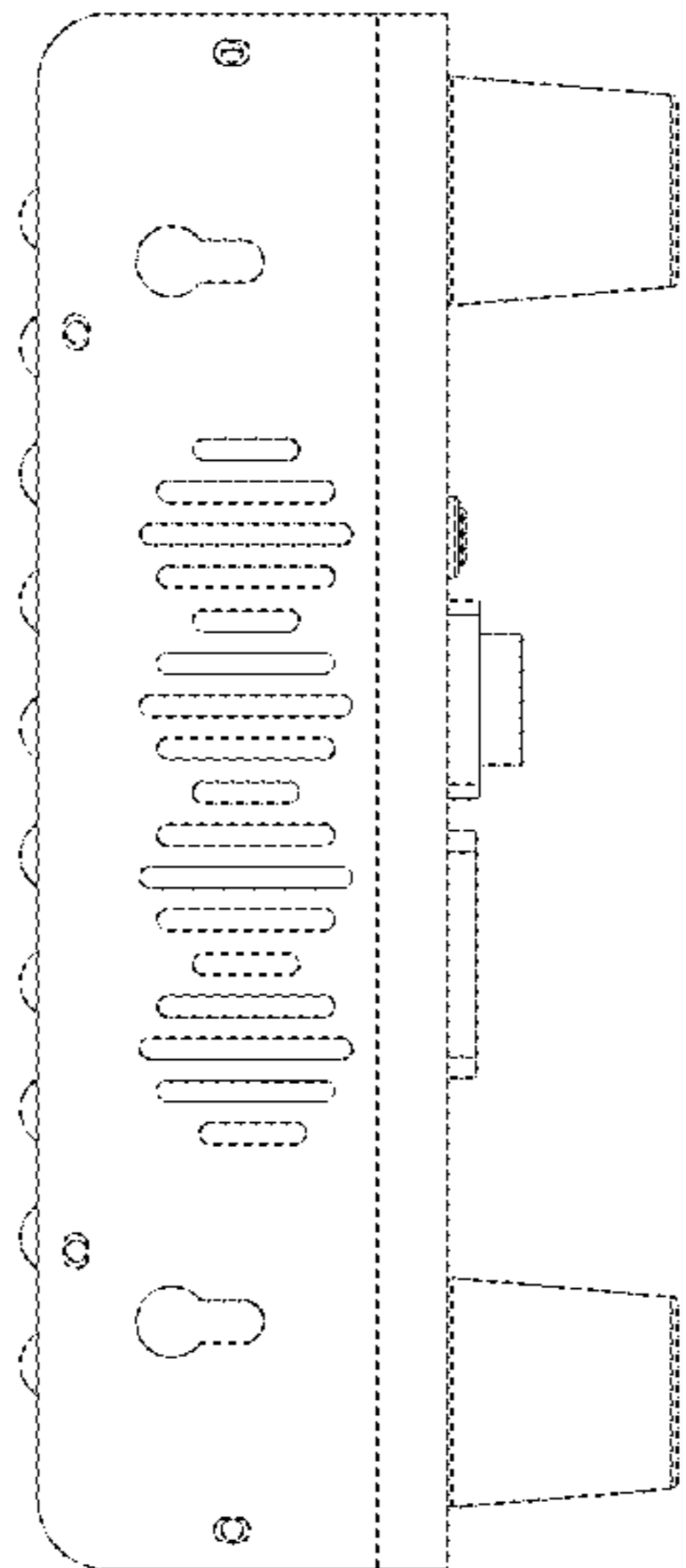


FIG. 5

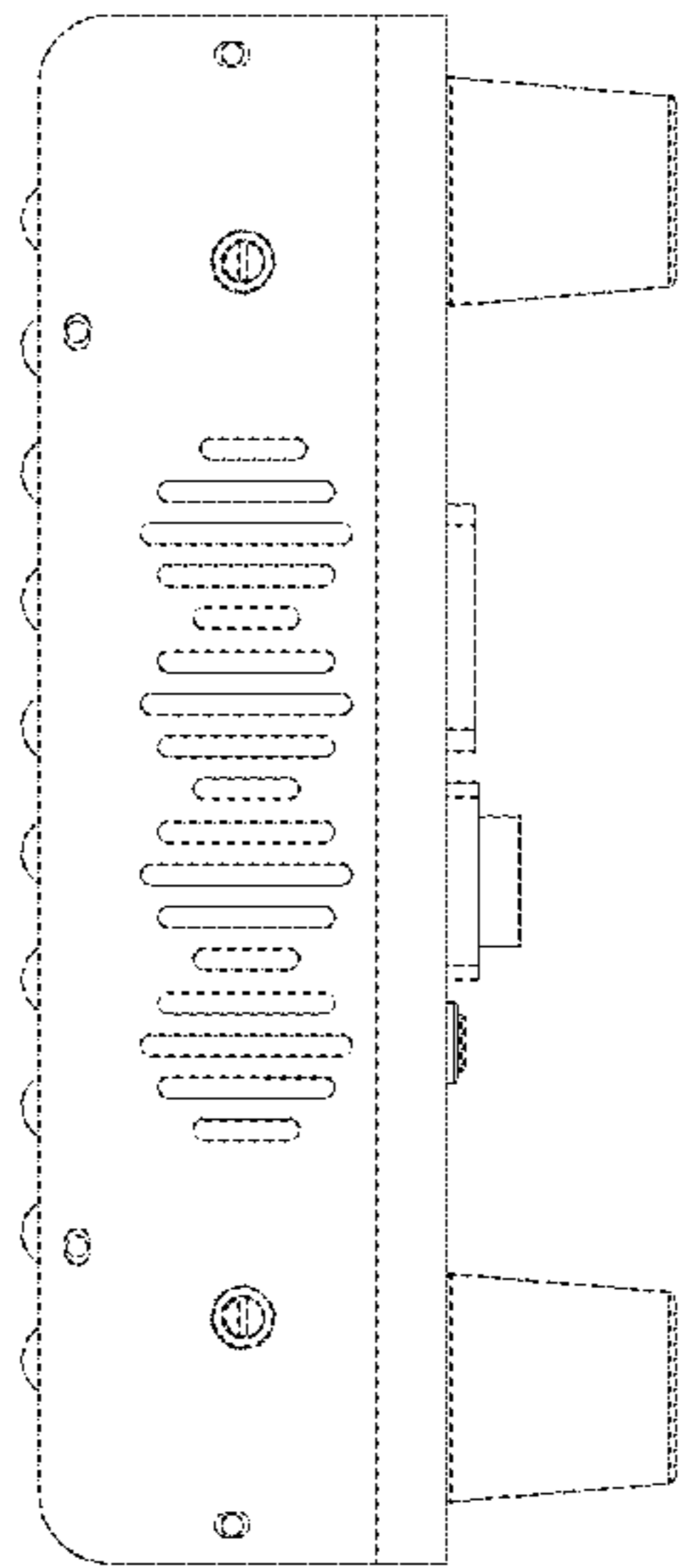


FIG. 6

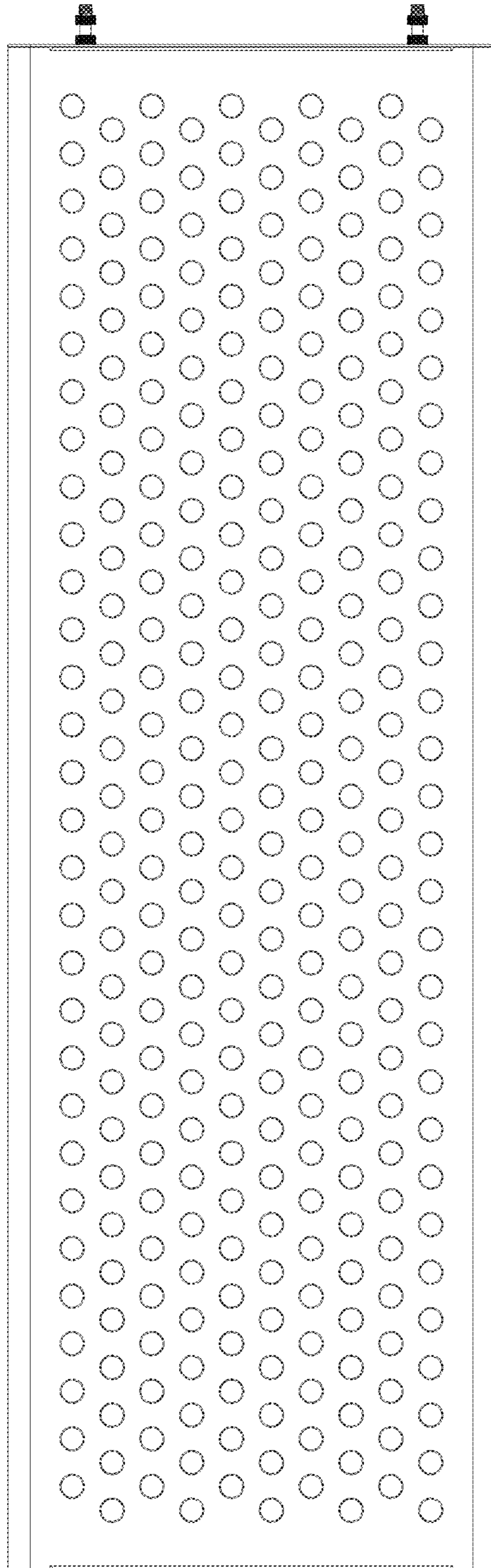


FIG. 7

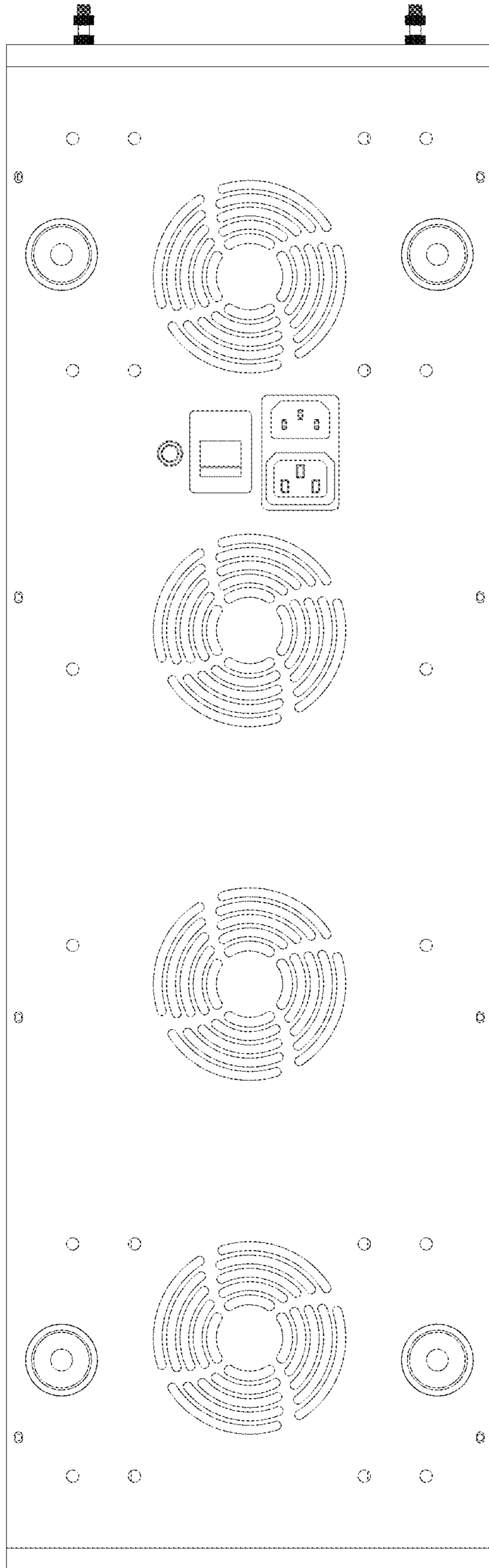


FIG. 8

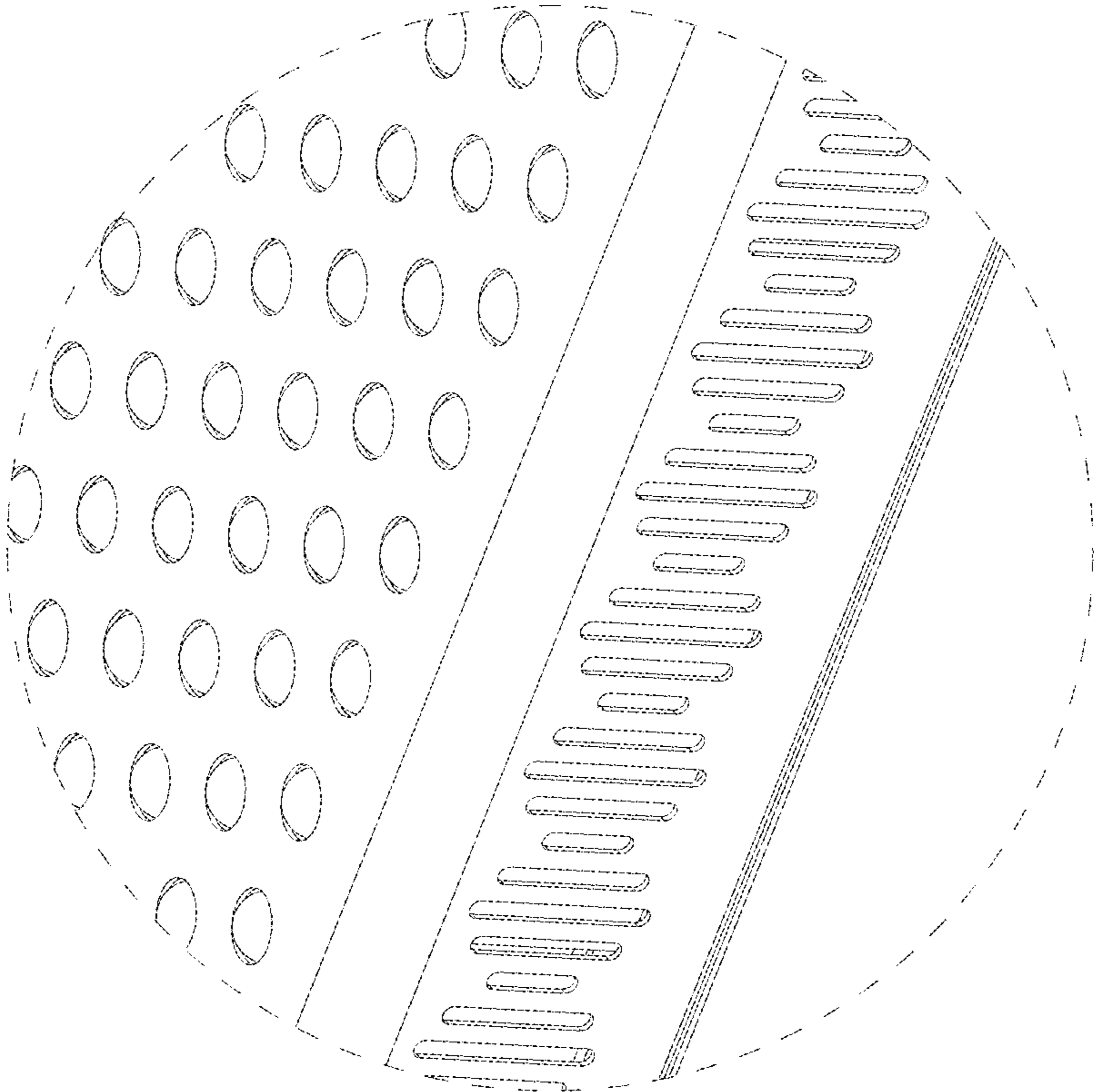


FIG. 9

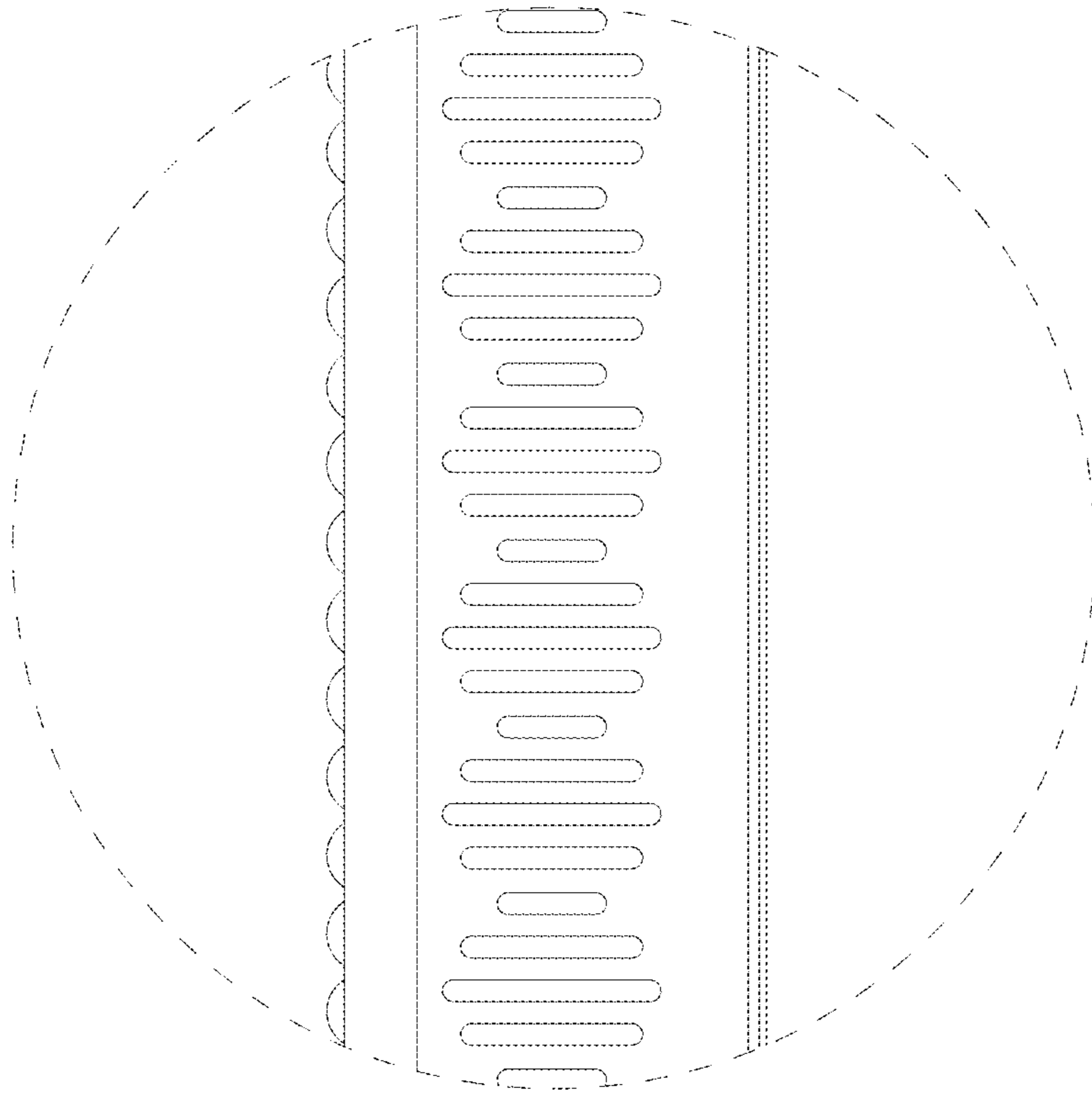


FIG. 10