



US00D927754S

(12) **United States Design Patent** (10) **Patent No.:** **US D927,754 S**
Dahlen et al. (45) **Date of Patent:** **** Aug. 10, 2021**

(54) **LIGHTING FIXTURE**

(71) Applicant: **KENALL MANUFACTURING COMPANY**, Kenosha, WI (US)

(72) Inventors: **Kevin Dahlen**, Lindenhurst, IL (US);
Steven Akiyama, New Lenox, IL (US)

(73) Assignee: **KENALL MANUFACTURING COMPANY**, Kenosha, WI (US)

(**) Term: **15 Years**

(21) Appl. No.: **29/690,596**

(22) Filed: **May 9, 2019**

(51) **LOC (13) Cl.** **26-05**

(52) **U.S. Cl.**
USPC **D26/70**

(58) **Field of Classification Search**
USPC D26/67-72, 85
CPC .. F21S 8/022; F21S 8/032; F21S 8/036; F21S 8/081; F21S 8/083; F21S 8/088; F21S 9/037; F21V 21/0824; F21W 2111/02; F21W 2111/023; F21W 2131/109
See application file for complete search history.

(56) **References Cited**

U.S. PATENT DOCUMENTS

D585,590 S *	1/2009	Summerford	D26/141
D614,789 S *	4/2010	van Klinken	D26/67
D615,682 S *	5/2010	van Klinken	D26/67
D617,485 S *	6/2010	Hamilton	D26/67
D672,076 S *	12/2012	Guercio	D26/70
10,094,551 B1	10/2018	Gabriel et al.		
10,222,544 B1 *	3/2019	Moghal	G02B 6/0083
D844,877 S *	4/2019	Ladewig	D26/68
D853,615 S *	7/2019	Ahrari	D26/67
D877,385 S *	3/2020	Gibson	D26/67

D881,438 S *	4/2020	Dahlen	D26/72
D897,586 S *	9/2020	Ahrari	D26/67
2009/0296392 A1 *	12/2009	Wilcox	F21S 8/081 362/249.02

(Continued)

OTHER PUBLICATIONS

The LuxeScape Collection—Invue Brochure by Eaton © 2019.
(Year: 2019).*

(Continued)

Primary Examiner — Clare E Heflin

(74) *Attorney, Agent, or Firm* — Marshall, Gerstein & Borun LLP

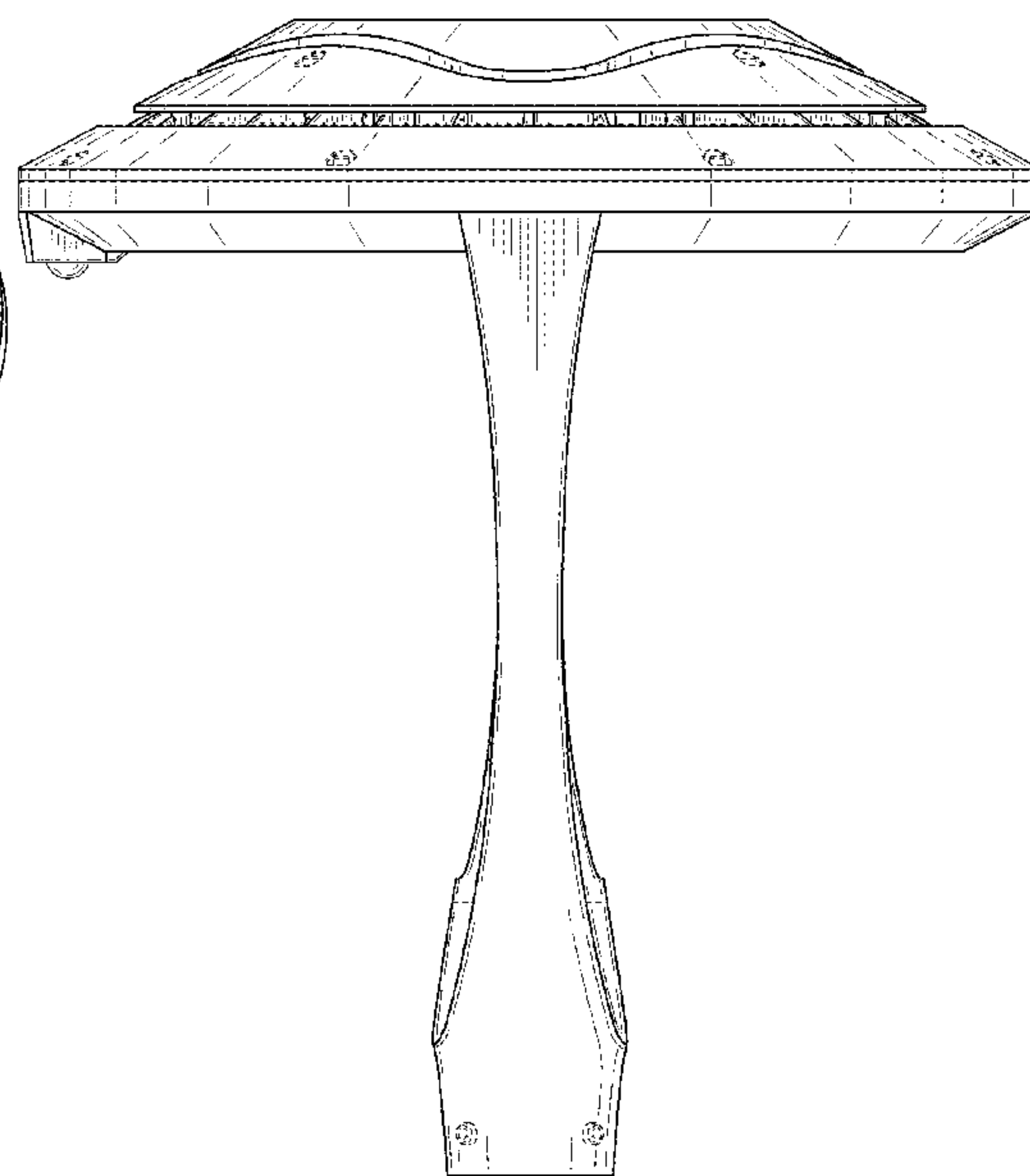
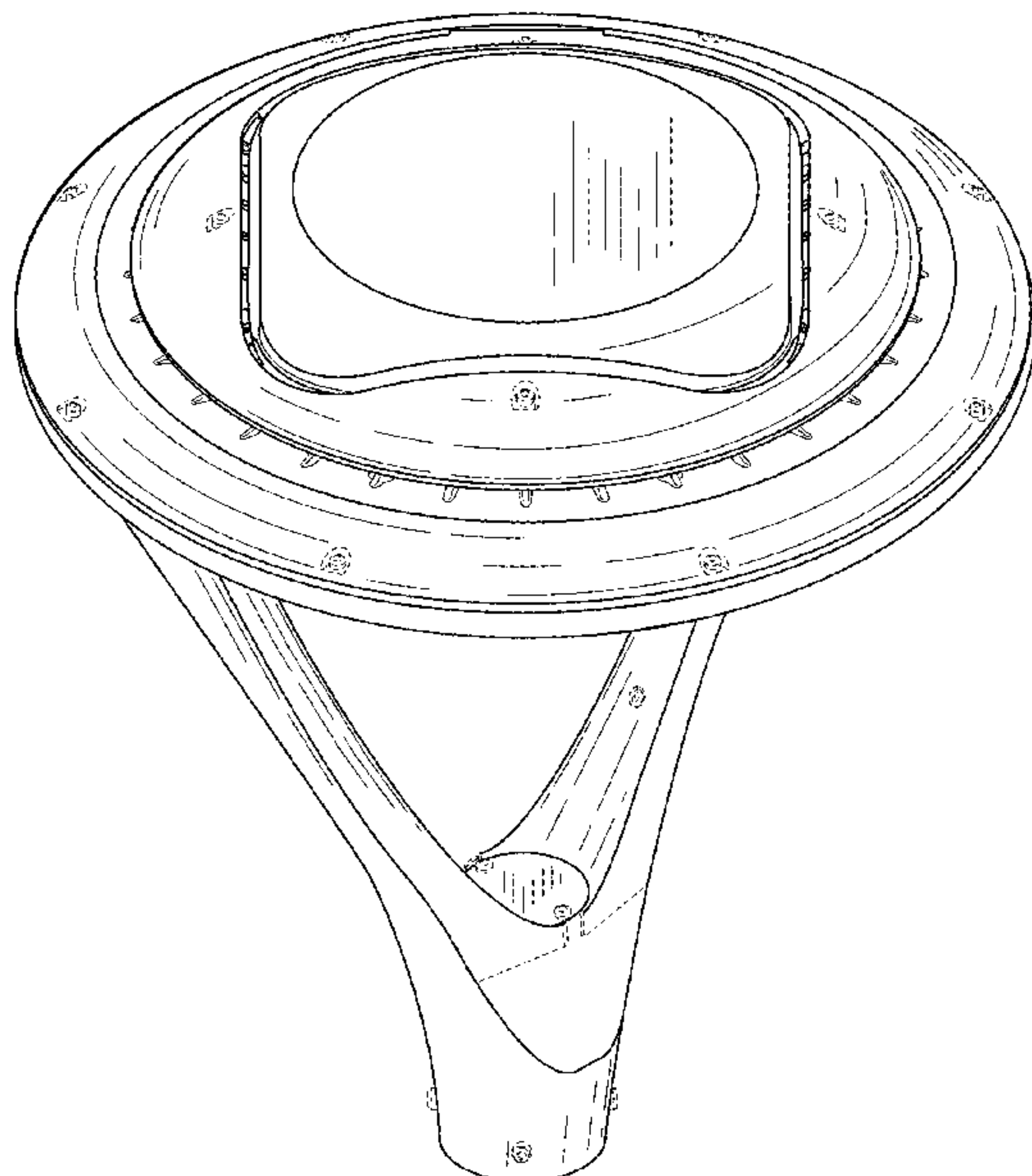
(57) **CLAIM**

The ornamental design for a lighting fixture, as shown and described.

DESCRIPTION

FIG. 1 is a front perspective view showing a new design for a lighting fixture;
FIG. 2 is a front view of the lighting fixture of FIG. 1;
FIG. 3 is a rear view of the lighting fixture of FIG. 1;
FIG. 4 is a right view of the lighting fixture of FIG. 1;
FIG. 5 is a left view of the lighting fixture of FIG. 1;
FIG. 6 is a top view of the lighting fixture of FIG. 1;
FIG. 7 is a bottom view of the lighting fixture of FIG. 1;
FIG. 8 is a front perspective view showing a new design for a lighting fixture;
FIG. 9 is a front view of the lighting fixture of FIG. 8;
FIG. 10 is a rear view of the lighting fixture of FIG. 8;
FIG. 11 is a right view of the lighting fixture of FIG. 8;
FIG. 12 is a left view of the lighting fixture of FIG. 8;
FIG. 13 is a top view of the lighting fixture of FIG. 8; and,
FIG. 14 is a bottom view of the lighting fixture of FIG. 8.
The dashed lines showing portions of the lighting fixture are included for the purpose of illustrating environment and form no part of the claimed design.

1 Claim, 14 Drawing Sheets



(56)

References Cited

U.S. PATENT DOCUMENTS

2013/0148361 A1* 6/2013 Chen F21S 8/088
362/296.05

OTHER PUBLICATIONS

Kenall SenScape LED Parking Garage Lights review from Lighting
Manufacturer retrieved from <[https://www.manufacturer.lighting/
info/109/](https://www.manufacturer.lighting/info/109/)> on Jan. 14, 2021. (Year: 2021).*
[https://clearlyinsightip.com/applications/skyeye-led-street-light-
systems/](https://clearlyinsightip.com/applications/skyeye-led-street-light-systems/), Clearly Insight IP Network & Video Ltd., SKYEYE™, by
Sun-In-One™, May 6, 2019.

* cited by examiner

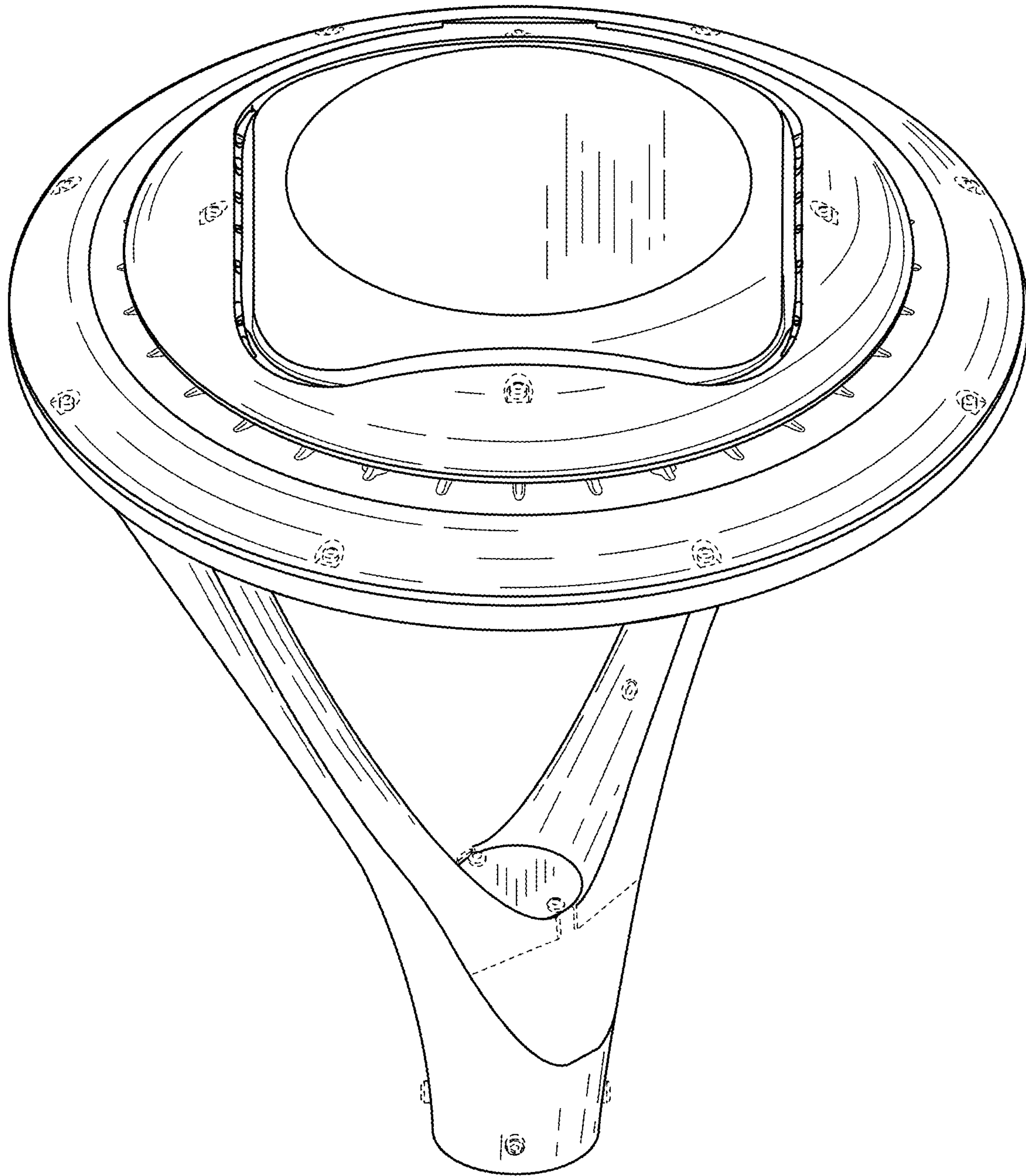


FIG. 1

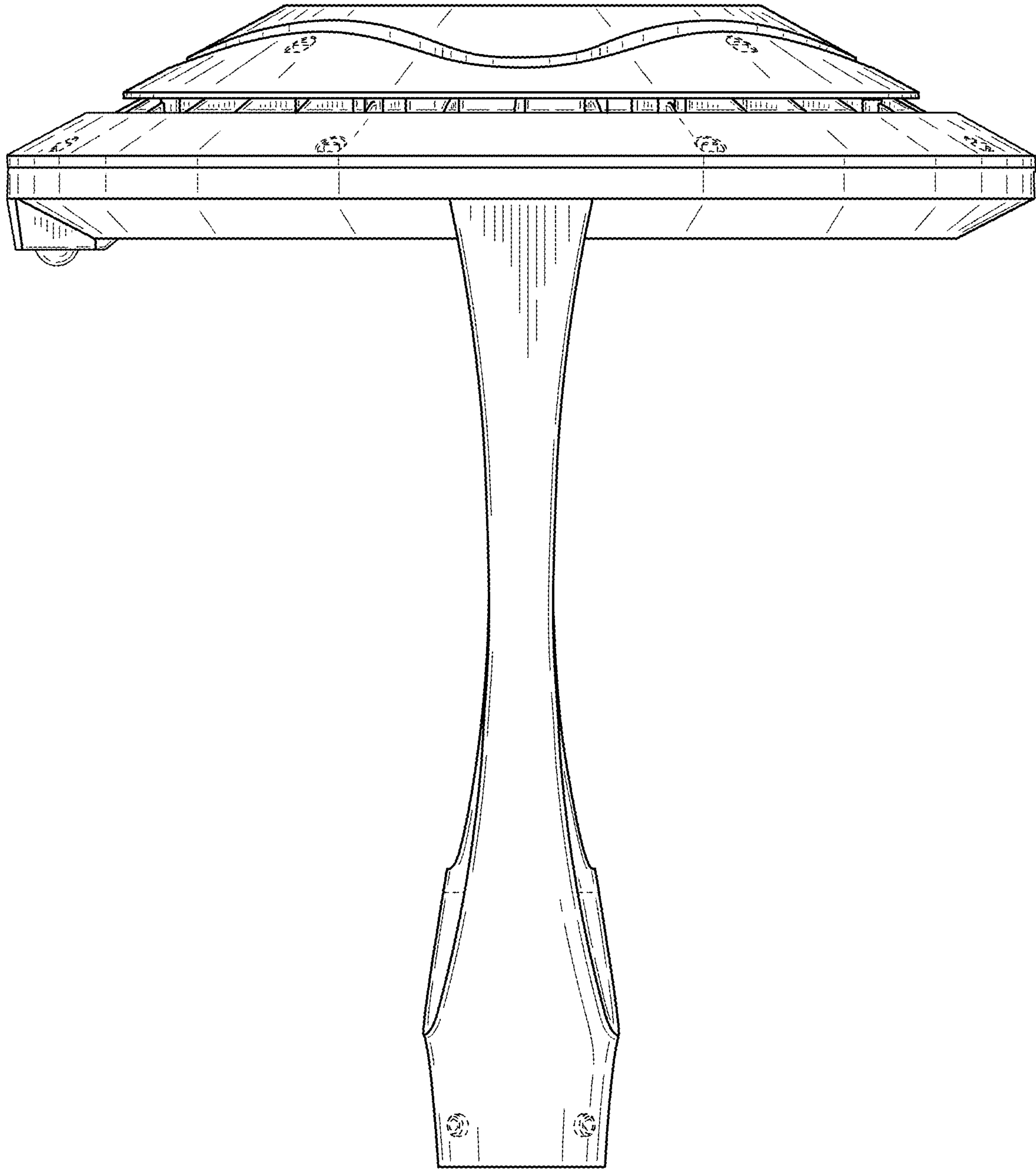


FIG. 2

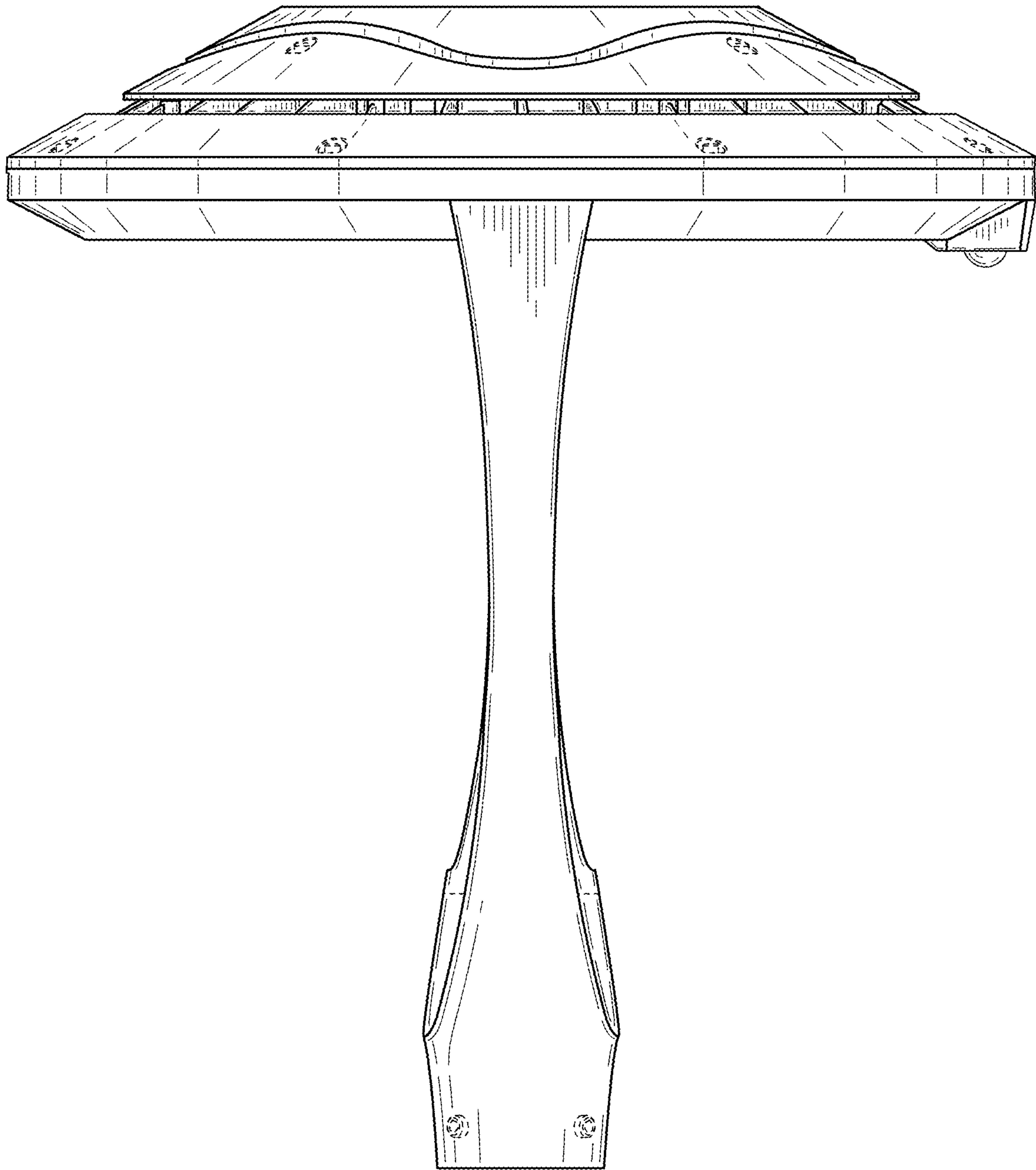


FIG. 3

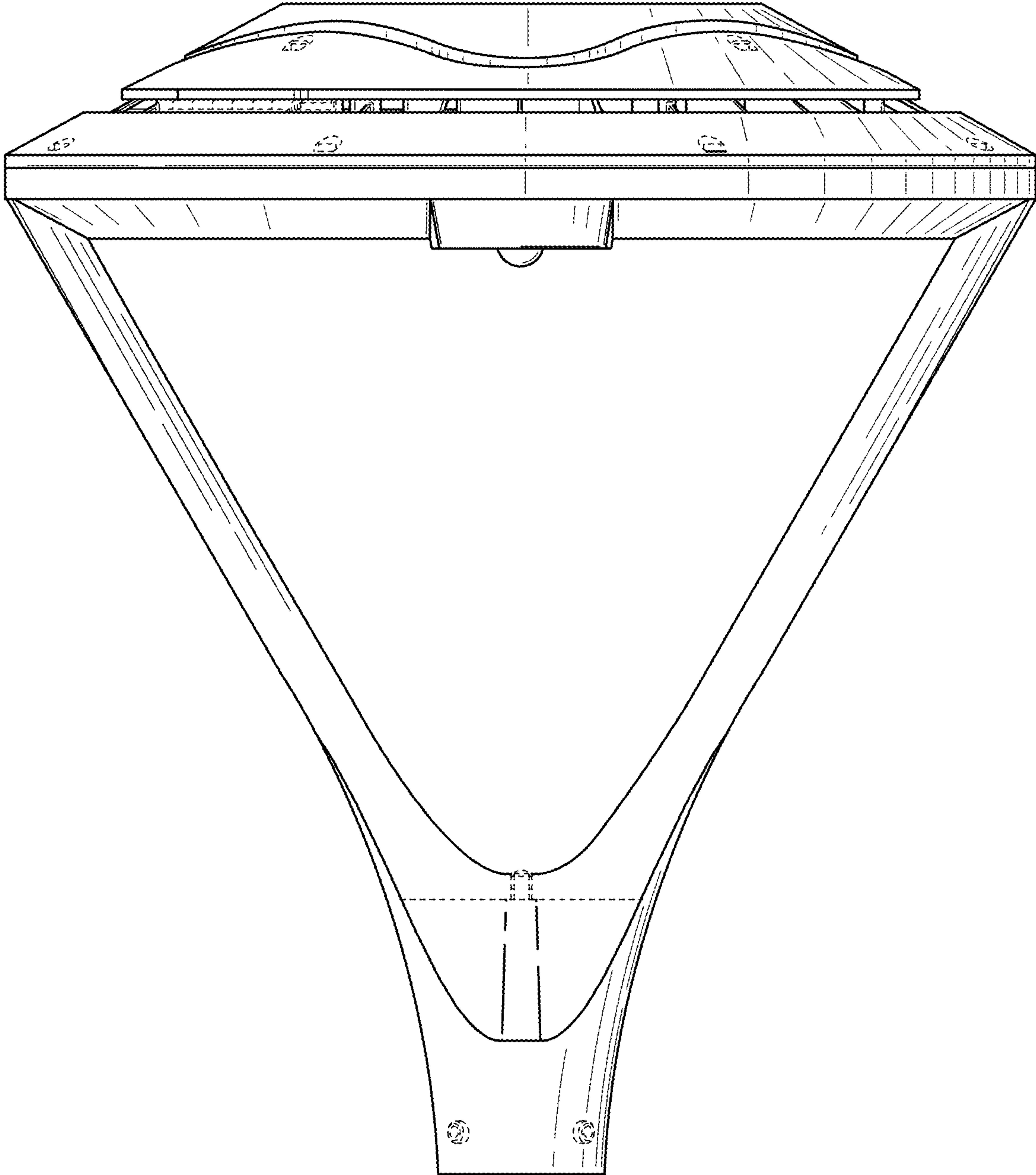


FIG. 4

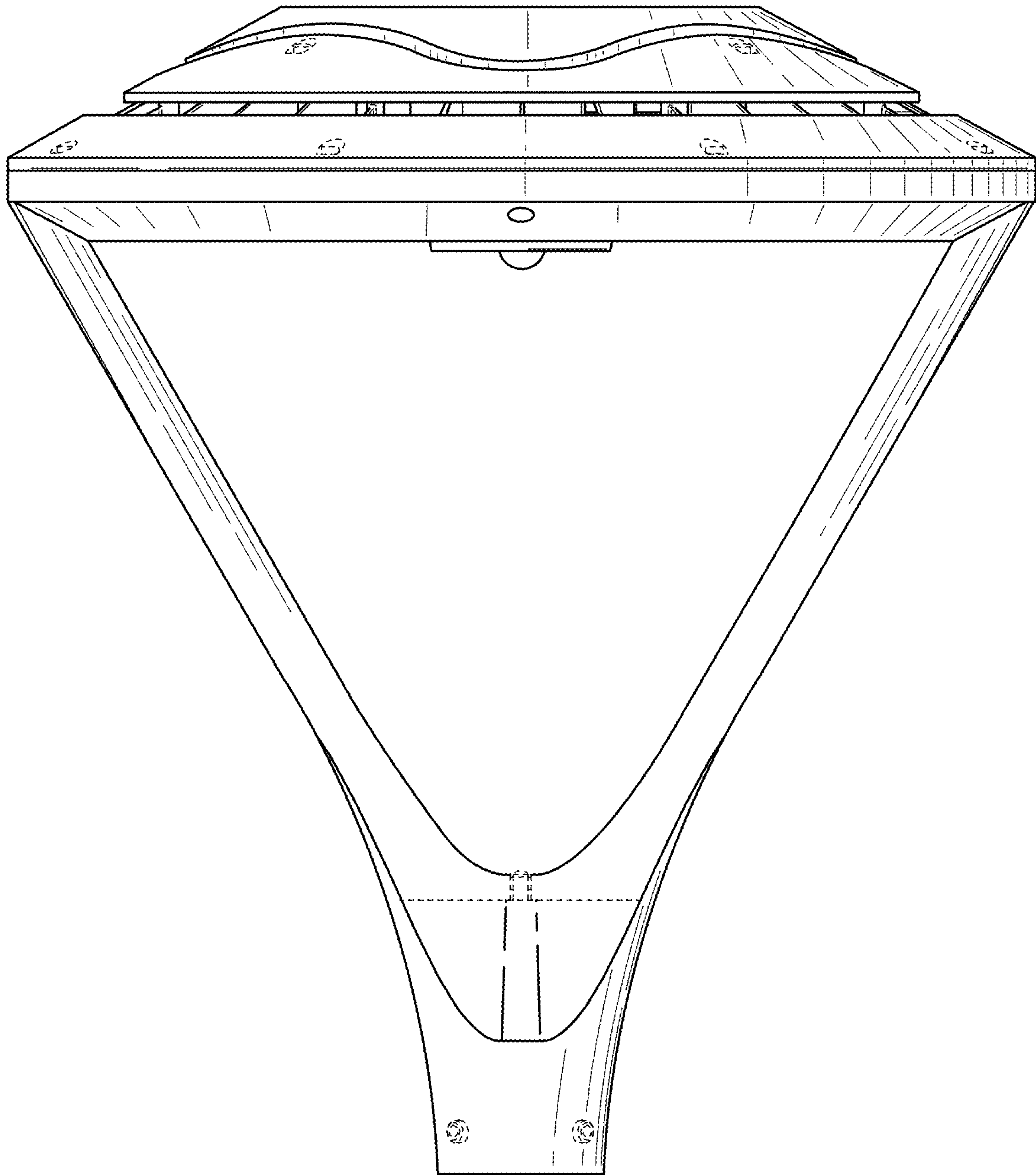


FIG. 5

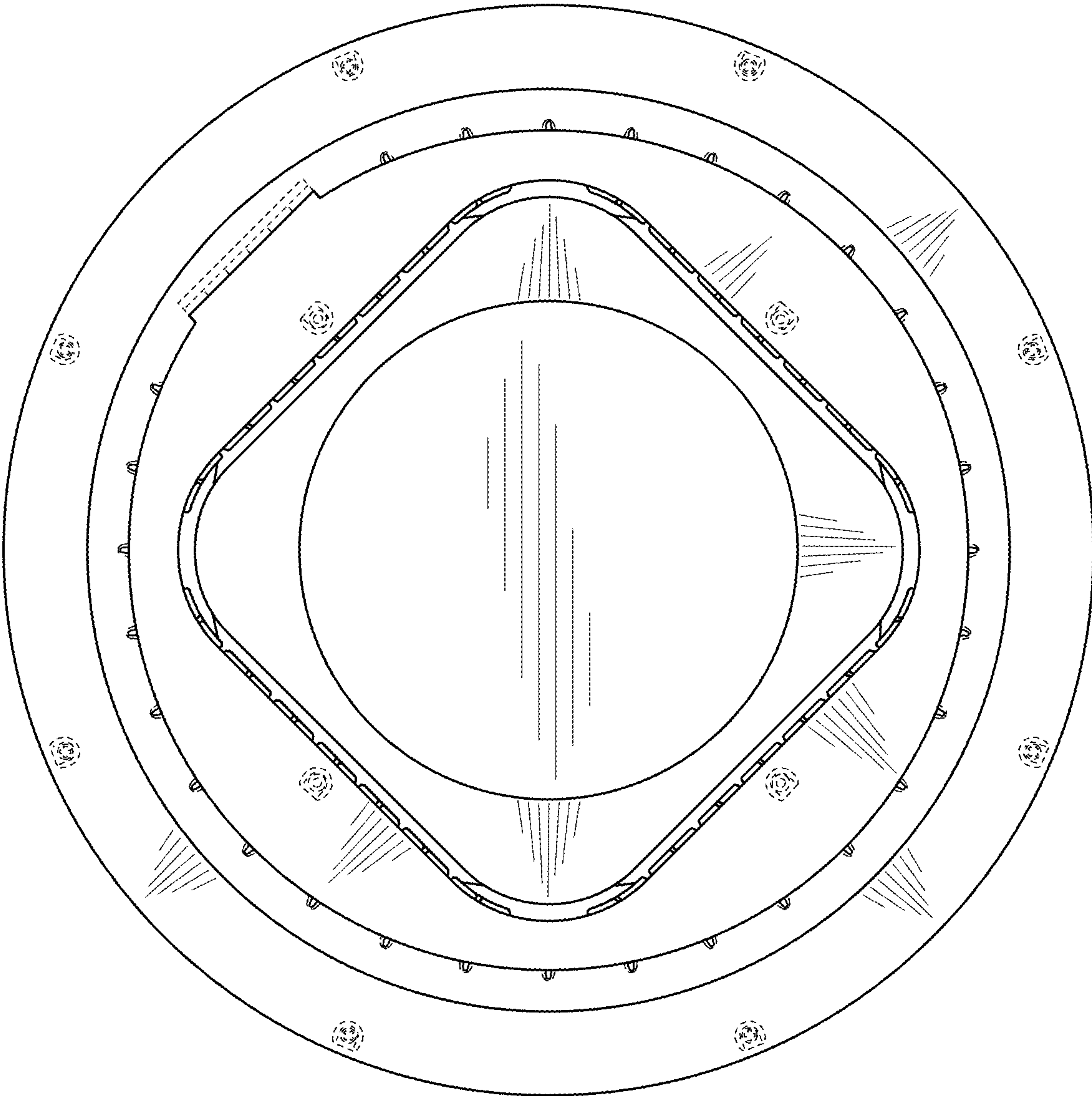


FIG. 6

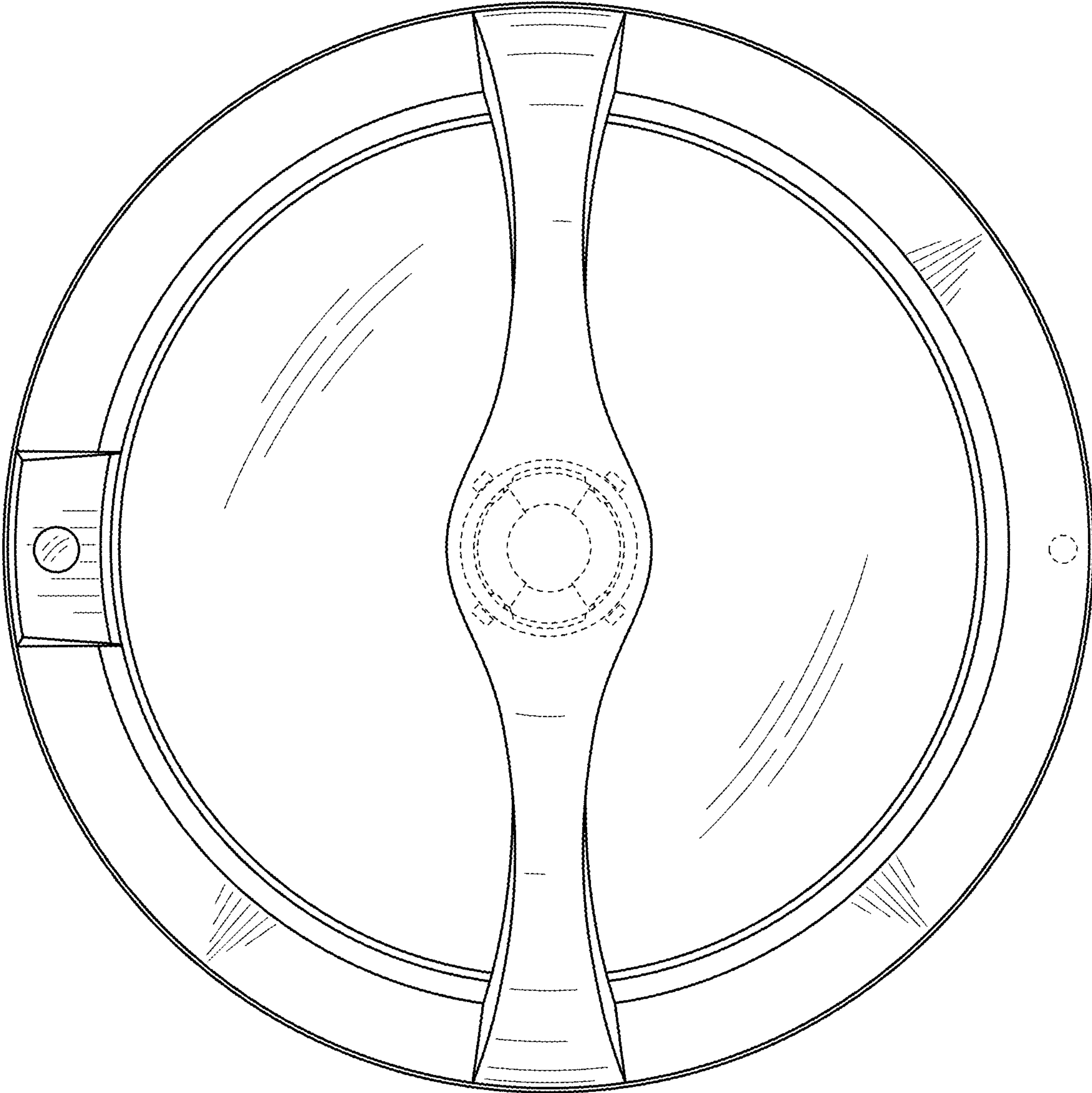


FIG. 7

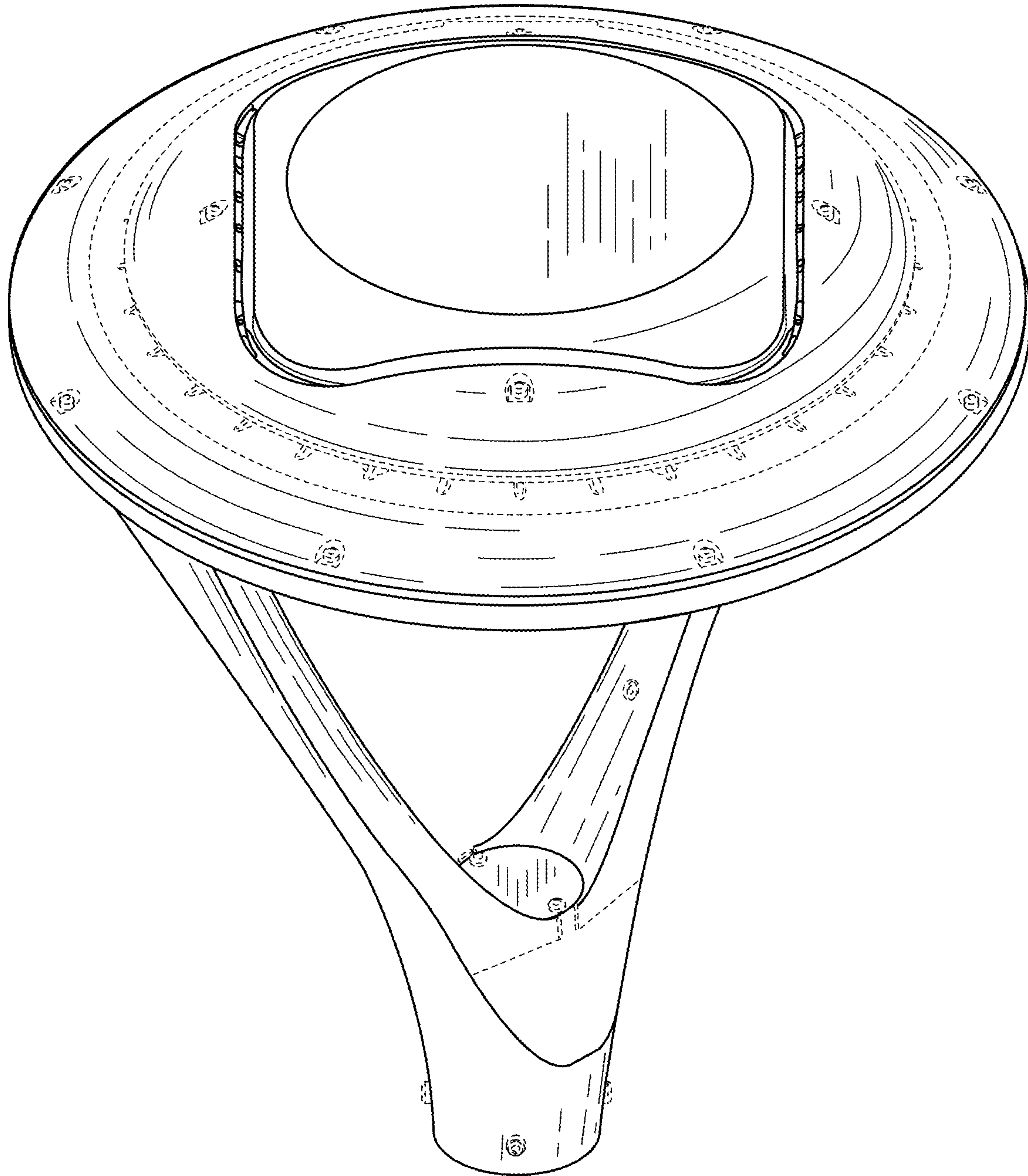


FIG. 8

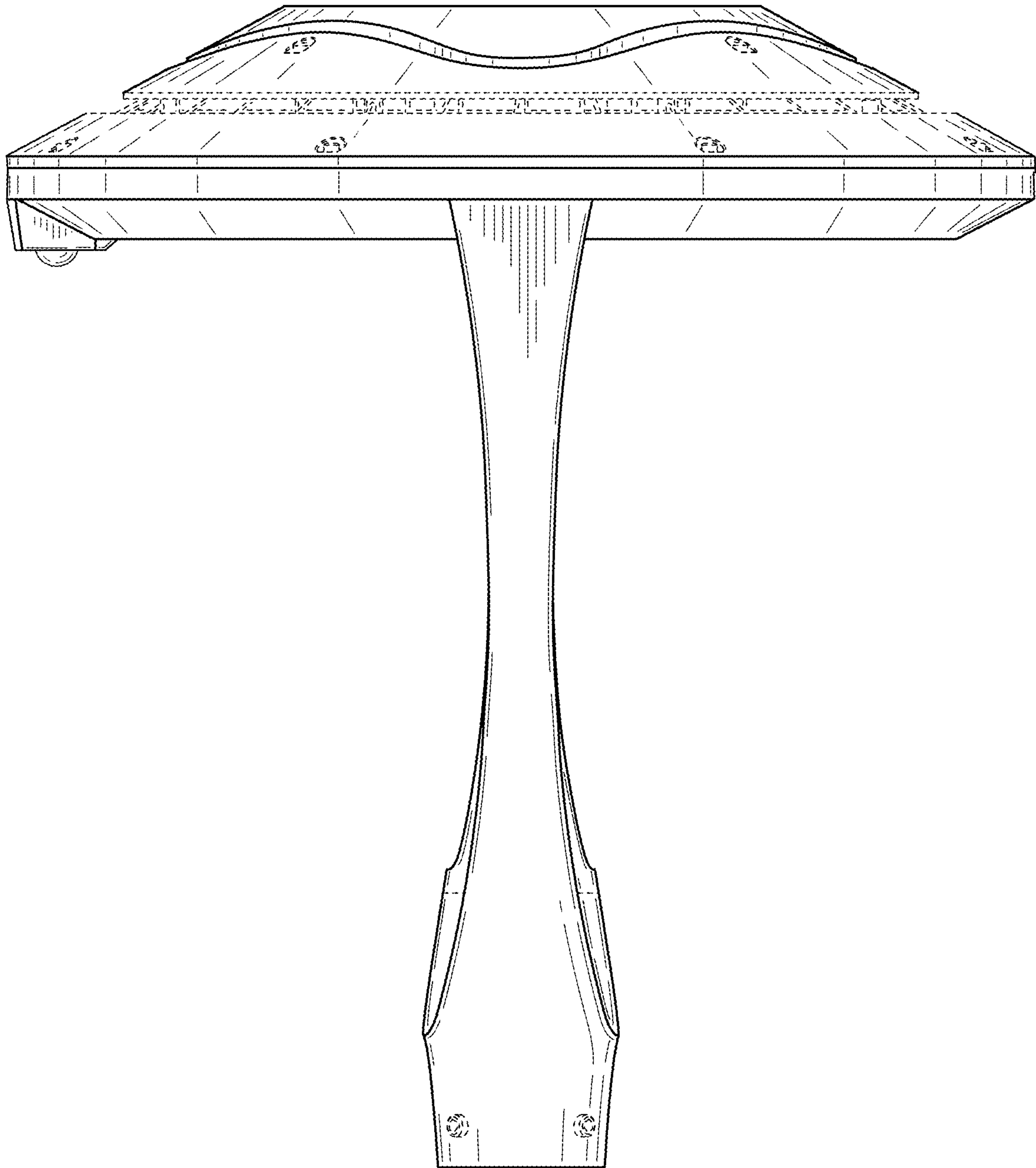


FIG. 9

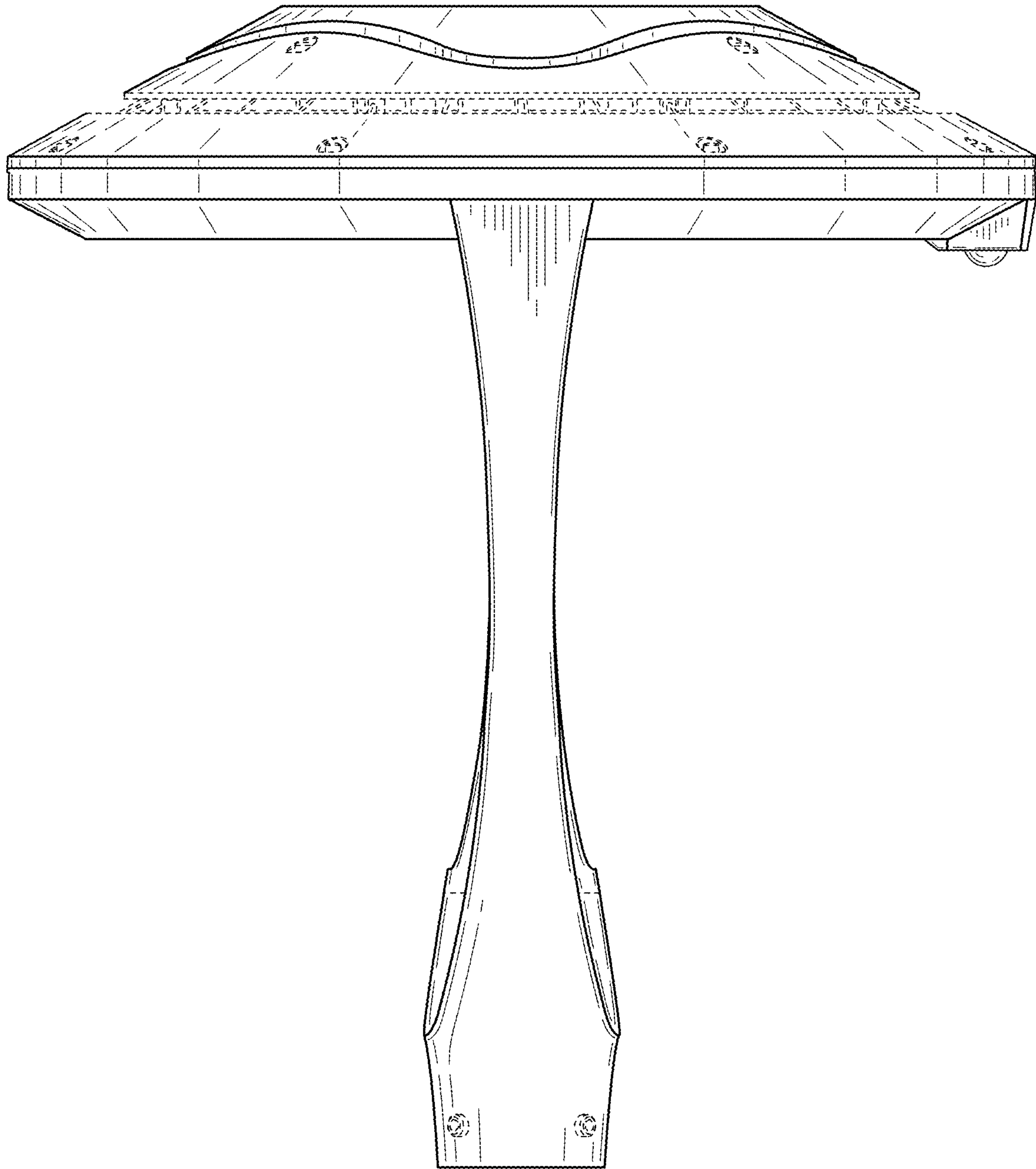


FIG. 10

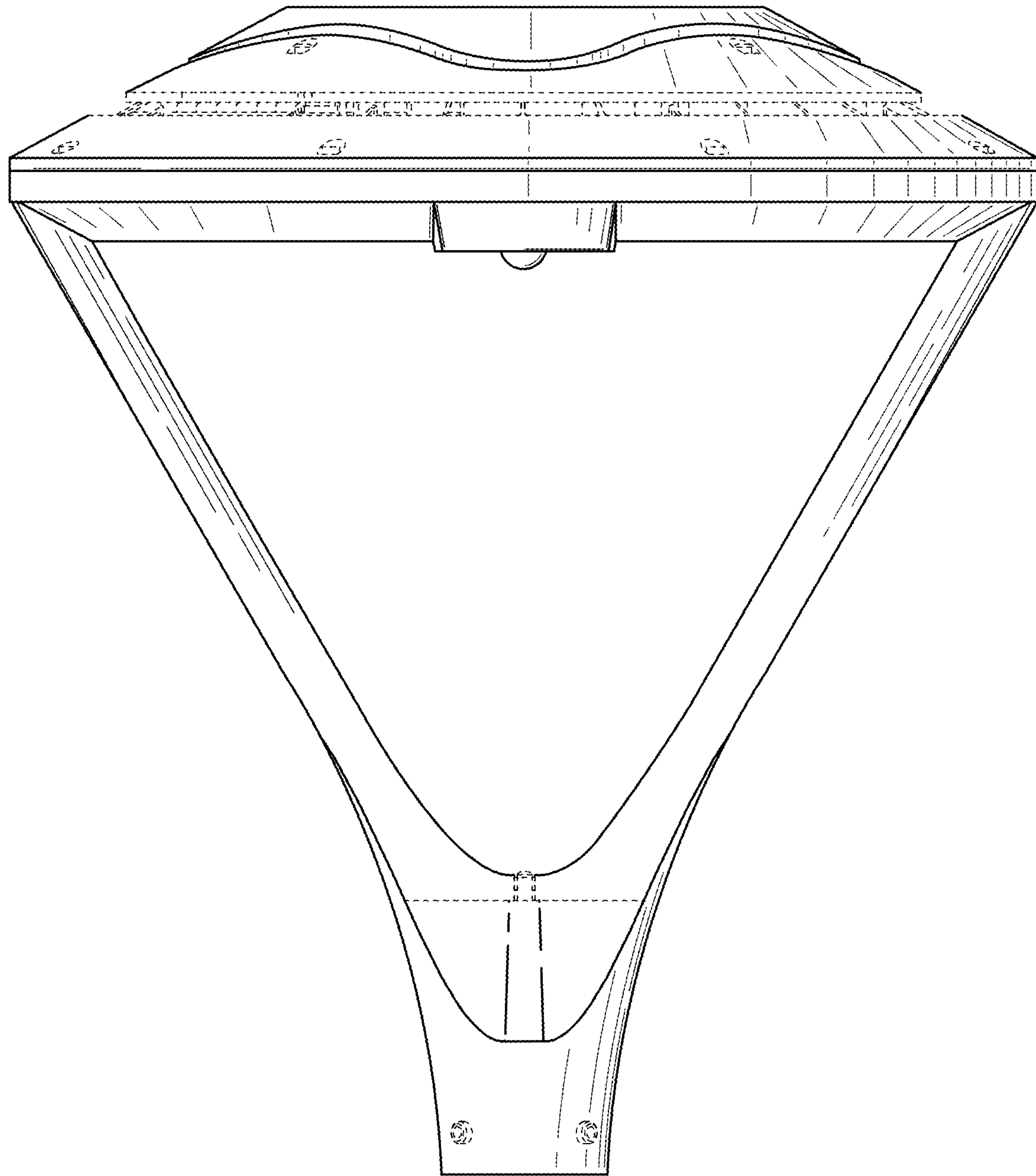


FIG. 11

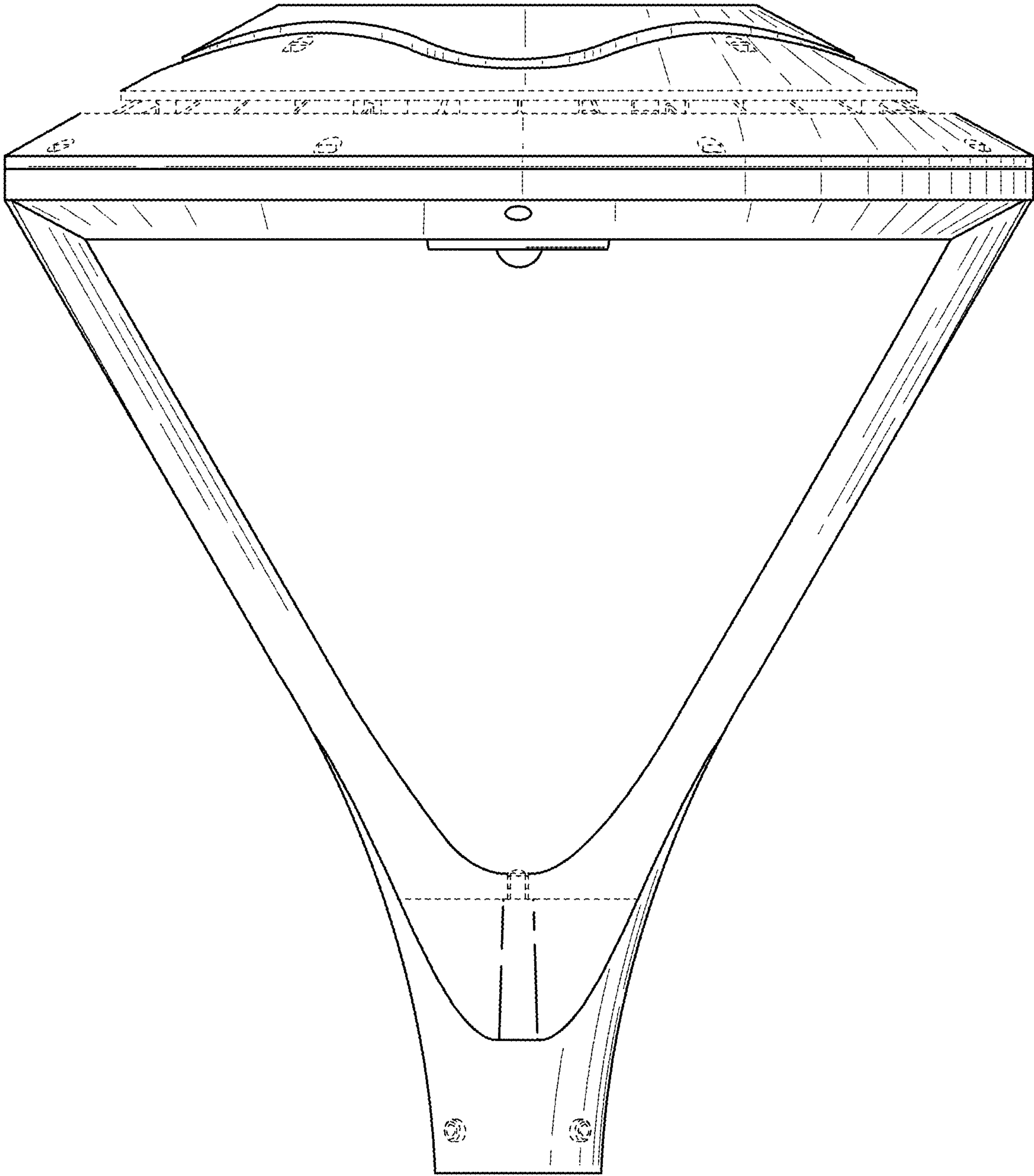


FIG. 12

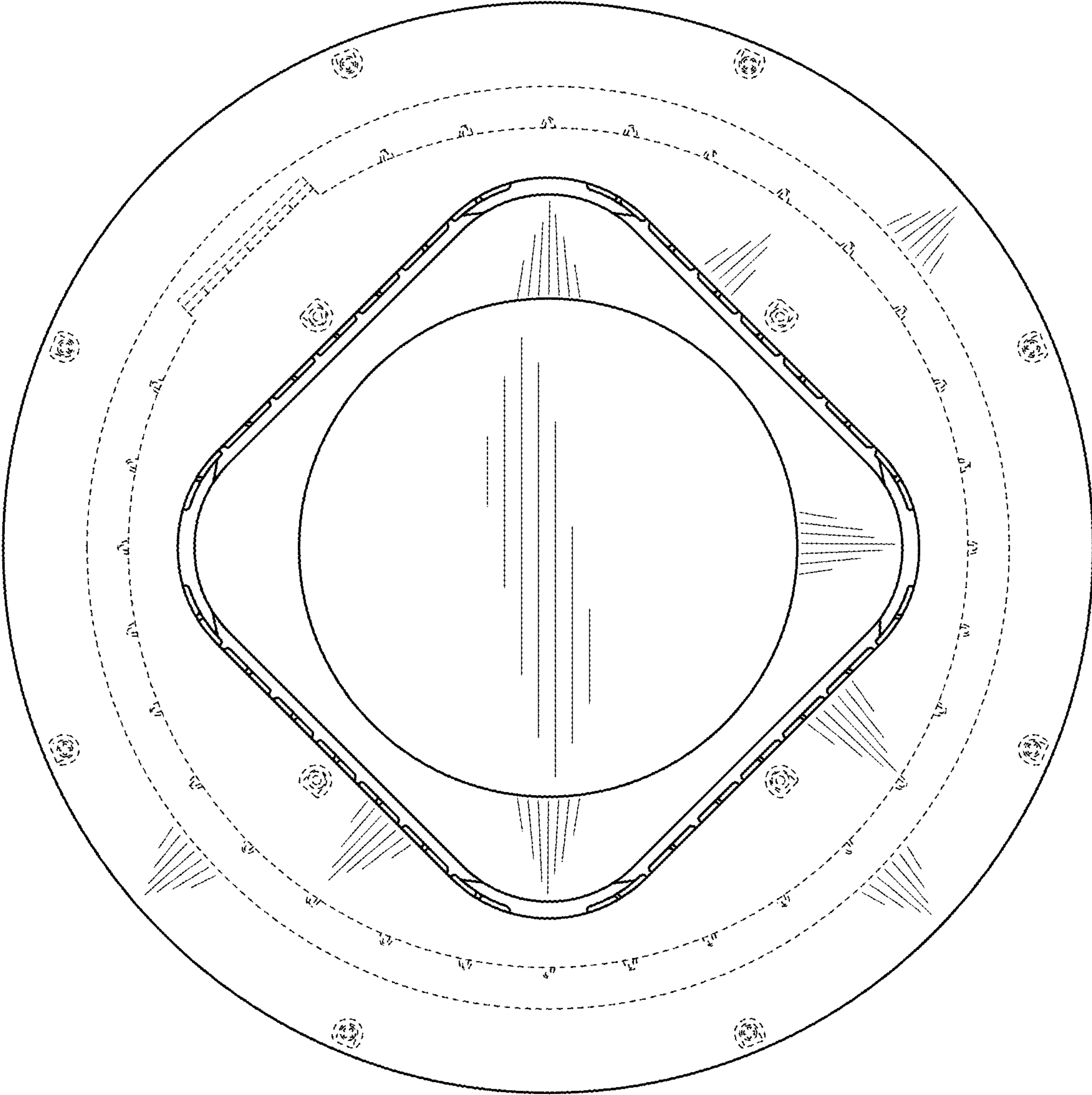


FIG. 13

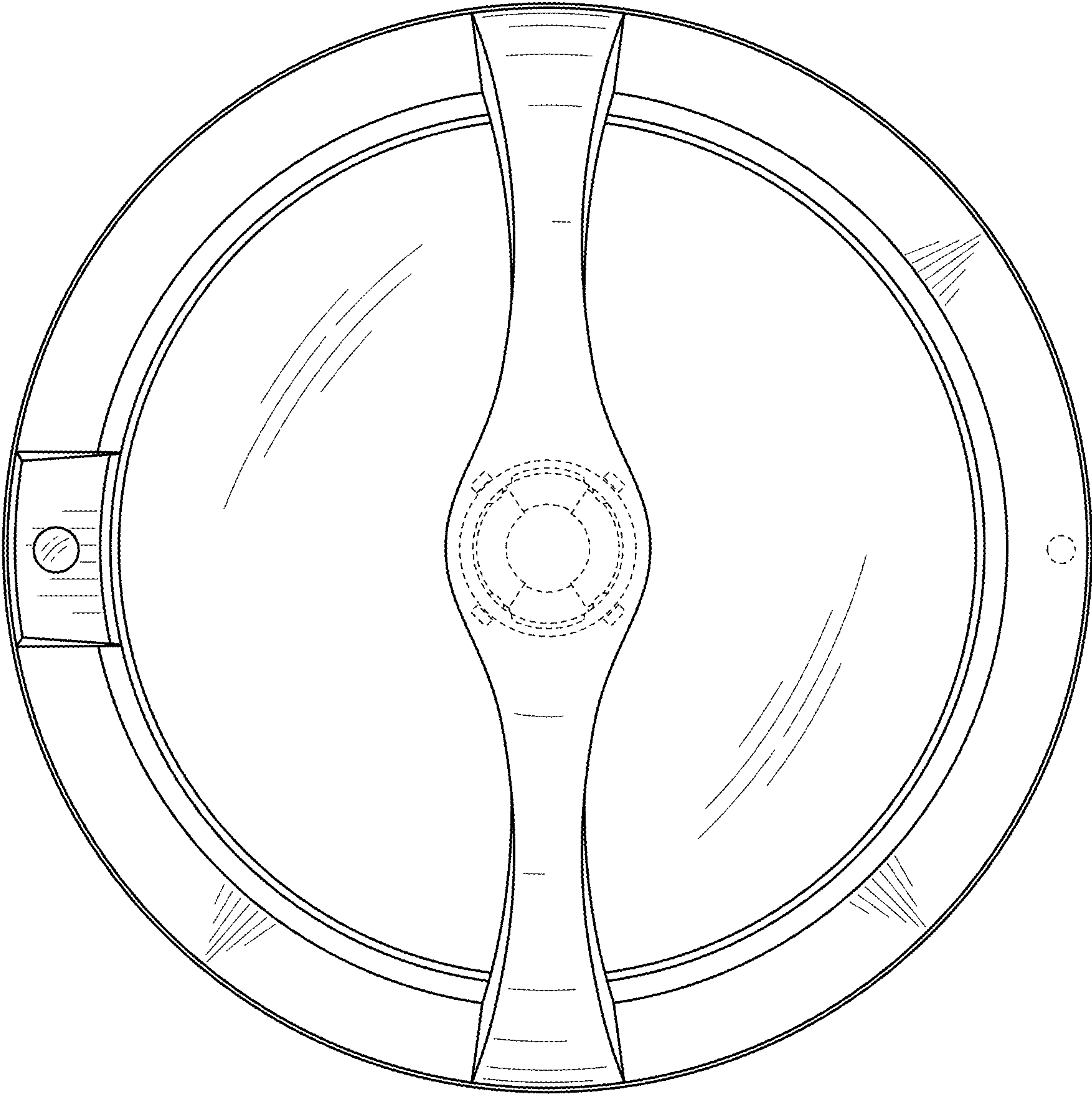


FIG. 14