



US00D927752S

(12) **United States Design Patent**
Mao

(10) **Patent No.:** **US D927,752 S**

(45) **Date of Patent:** **** Aug. 10, 2021**

(54) **FOLDABLE OUTDOOR LIGHT**

(71) Applicant: **Ningbo Sunree Outdoor Products Co., Ltd., Cixi (CN)**

(72) Inventor: **Huanjun Mao, Cixi (CN)**

(**) Term: **15 Years**

(21) Appl. No.: **29/712,433**

(22) Filed: **Nov. 8, 2019**

(51) **LOC (13) Cl.** **26-03**

(52) **U.S. Cl.**
USPC **D26/65**

(58) **Field of Classification Search**

USPC D26/61, 63, 64, 65
CPC F21V 17/02; F21V 21/28; F21V 21/26;
F21V 21/06; F21V 21/00; F21W 2131/30;
F21W 2131/10; F21S 8/024; F21S 6/003;
F21S 8/003; F21S 8/00; F21F 6/00

See application file for complete search history.

(56) **References Cited**

U.S. PATENT DOCUMENTS

8,721,120 B2 * 5/2014 Christ F21V 21/08
362/249.03
D763,492 S * 8/2016 Bryant D26/37
D849,975 S * 5/2019 Huang D26/63

D858,844 S * 9/2019 Fang D26/63
D880,743 S * 4/2020 Qiu D26/63
D896,425 S * 9/2020 Saboo D26/65
2019/0285257 A1 * 9/2019 Gall F21V 21/30

* cited by examiner

Primary Examiner — Brian N. Vinson

(57) **CLAIM**

The ornamental design for a foldable outdoor light, as shown and described.

DESCRIPTION

FIG. 1 is a first perspective view of a foldable outdoor light showing, my new design;

FIG. 2 is a second perspective view thereof;

FIG. 3 is a front view thereof;

FIG. 4 is a back view thereof;

FIG. 5 is a left side view thereof;

FIG. 6 is a right side view thereof;

FIG. 7 is a top view thereof;

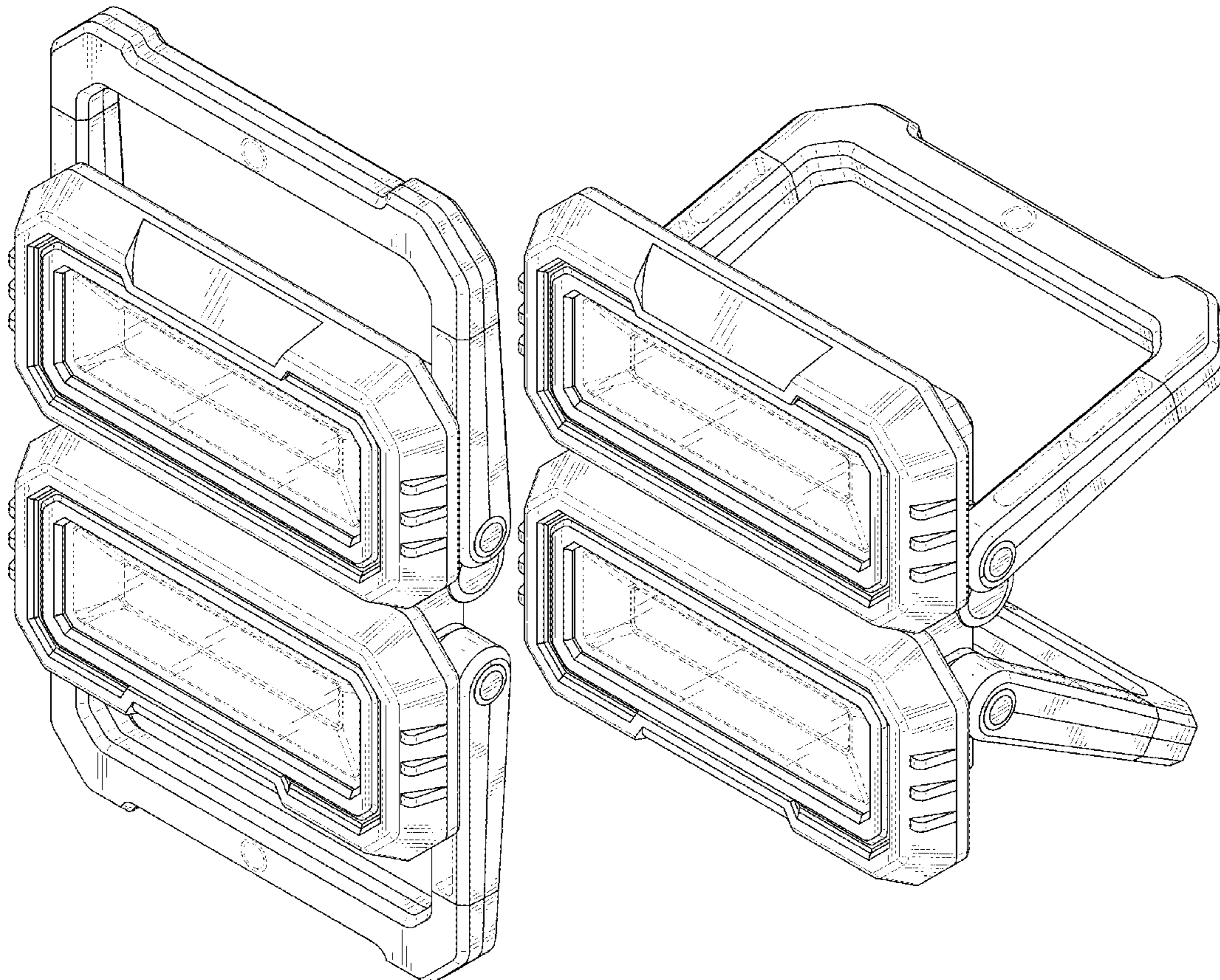
FIG. 8 is a bottom view thereof;

FIG. 9 is a perspective view of another state of the foldable outdoor light thereof; and,

FIG. 10 is a perspective view of further another state of the foldable outdoor light thereof.

The broken lines shown in the drawings depict portions of foldable outdoor light in which the design is embodied that form no part of the claimed design.

1 Claim, 10 Drawing Sheets



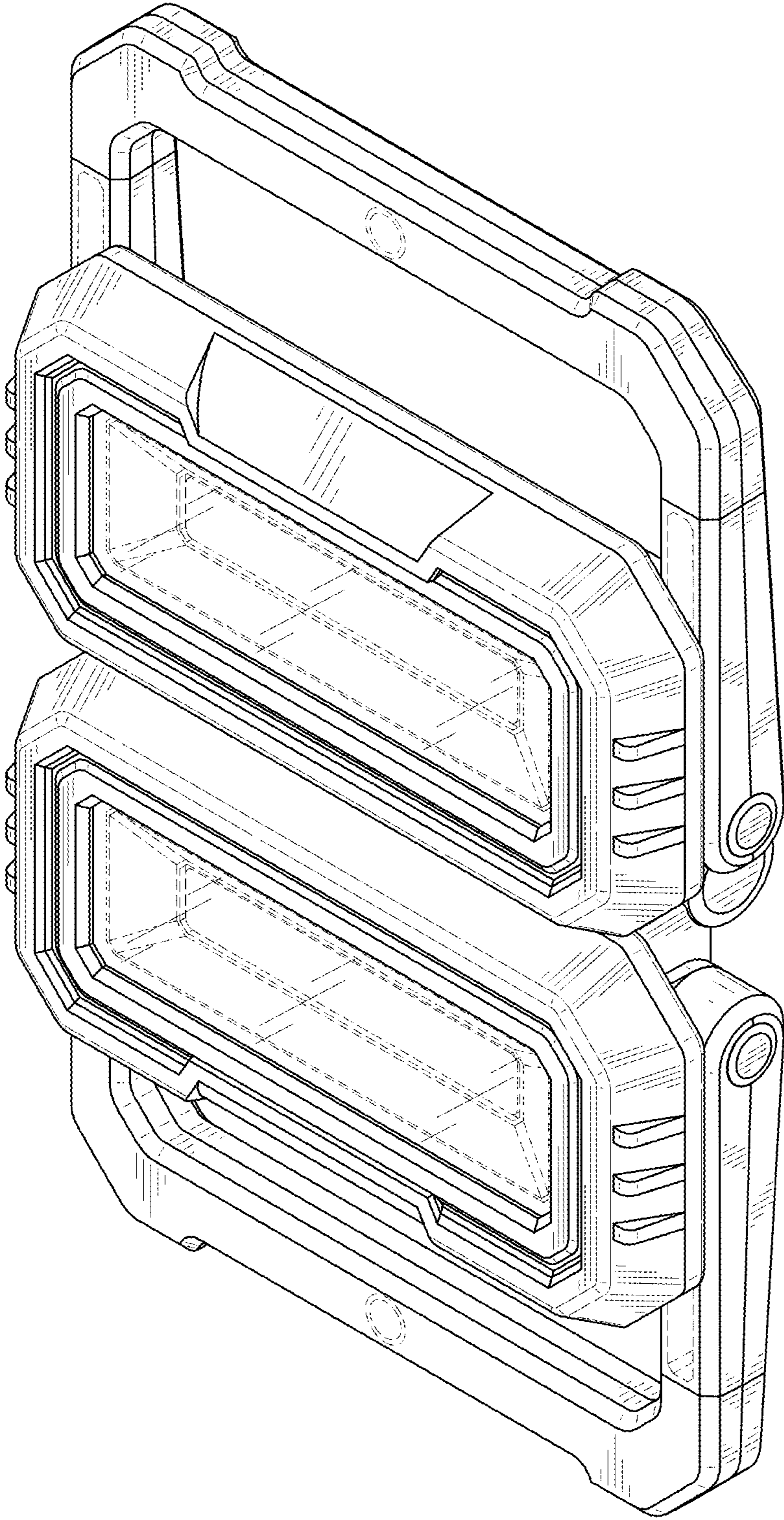


FIG. 1

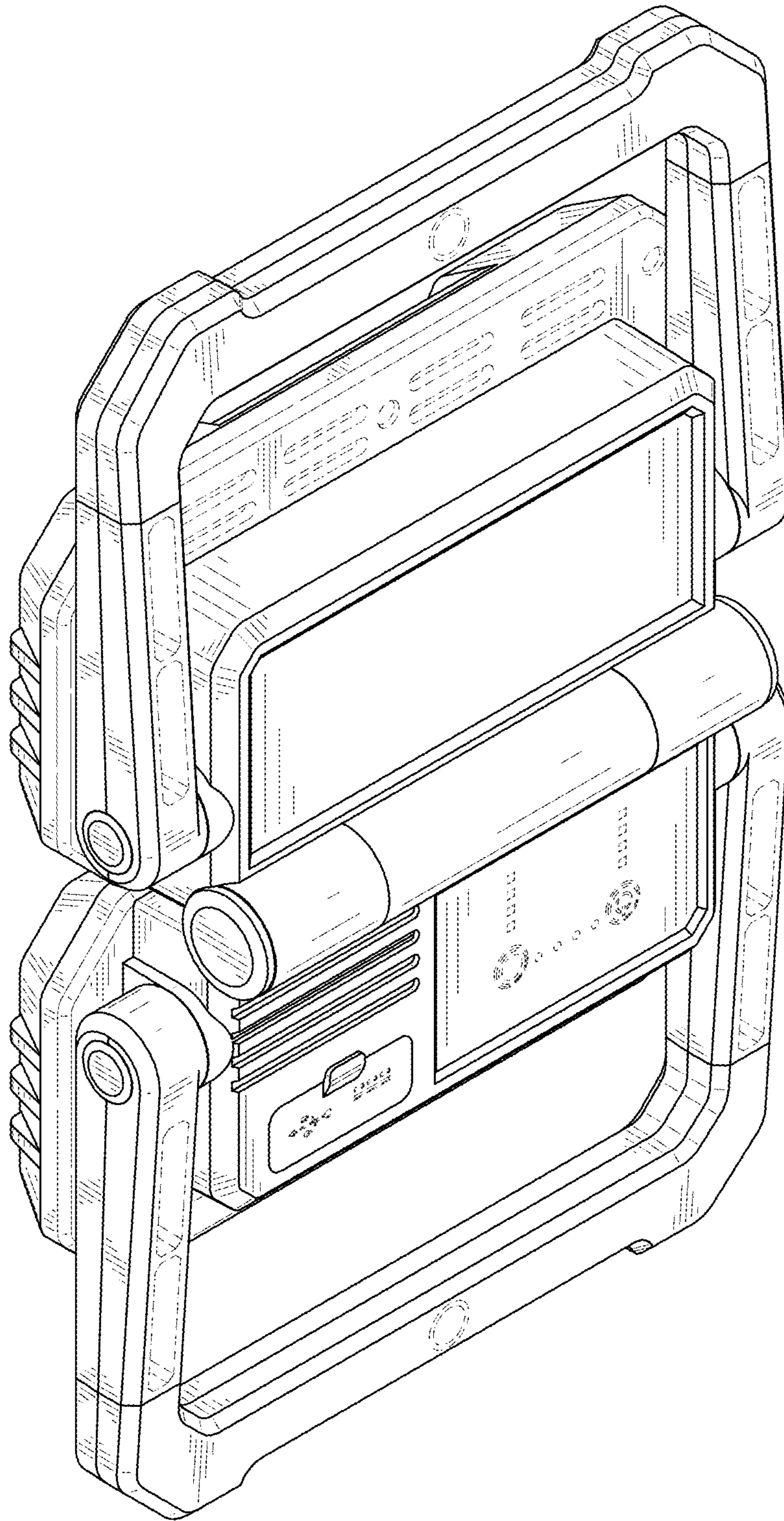


FIG. 2

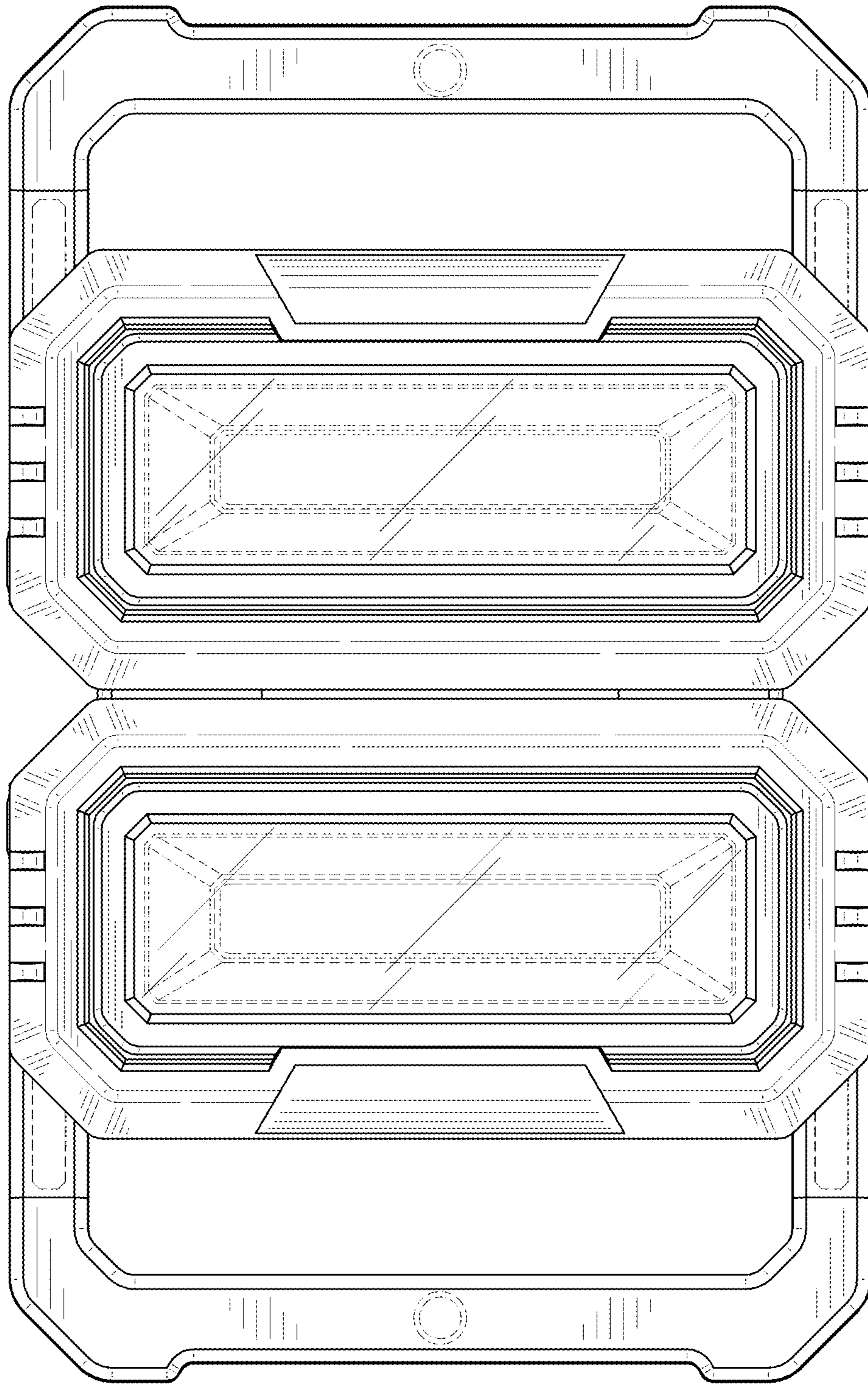


FIG. 3

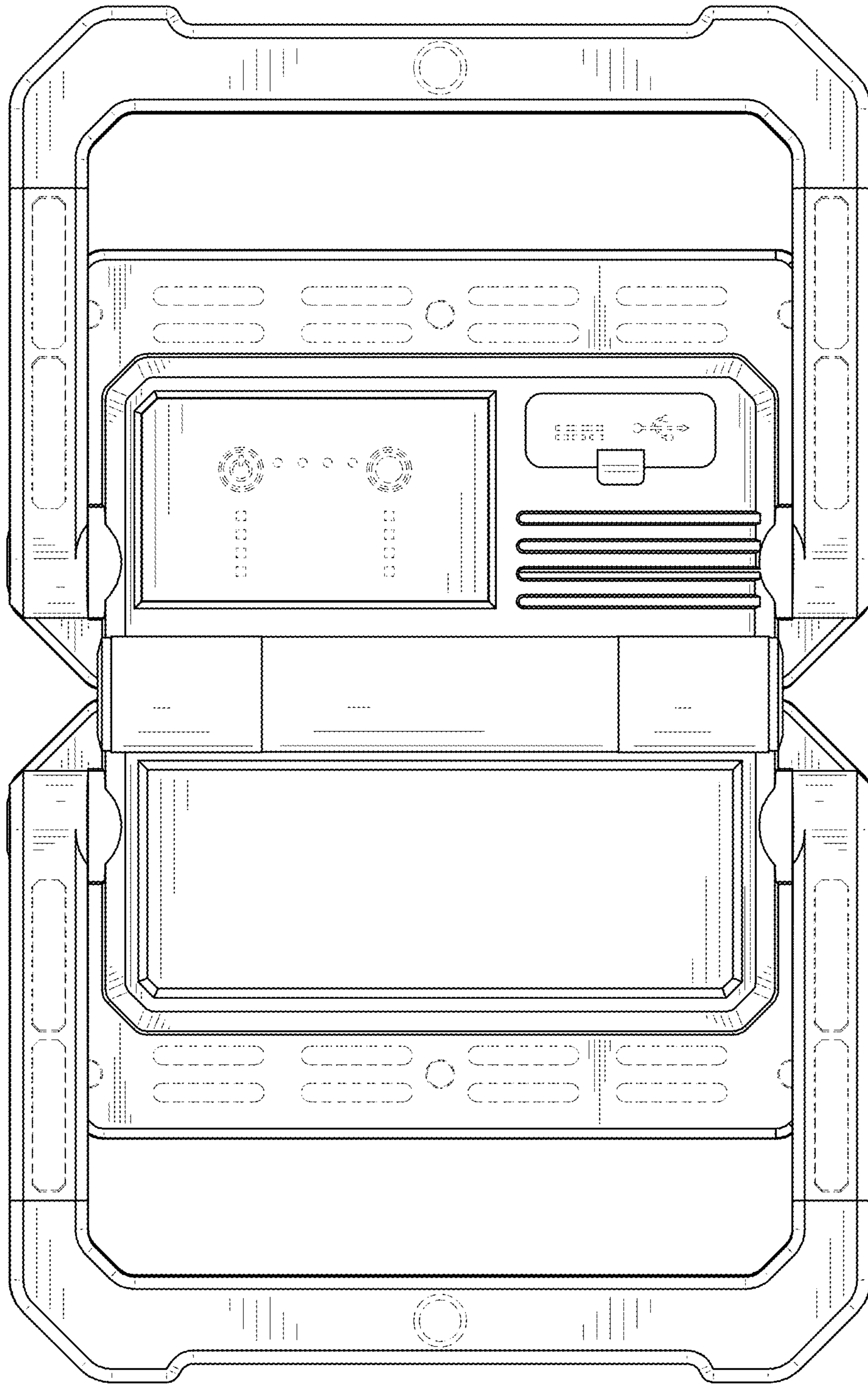


FIG. 4

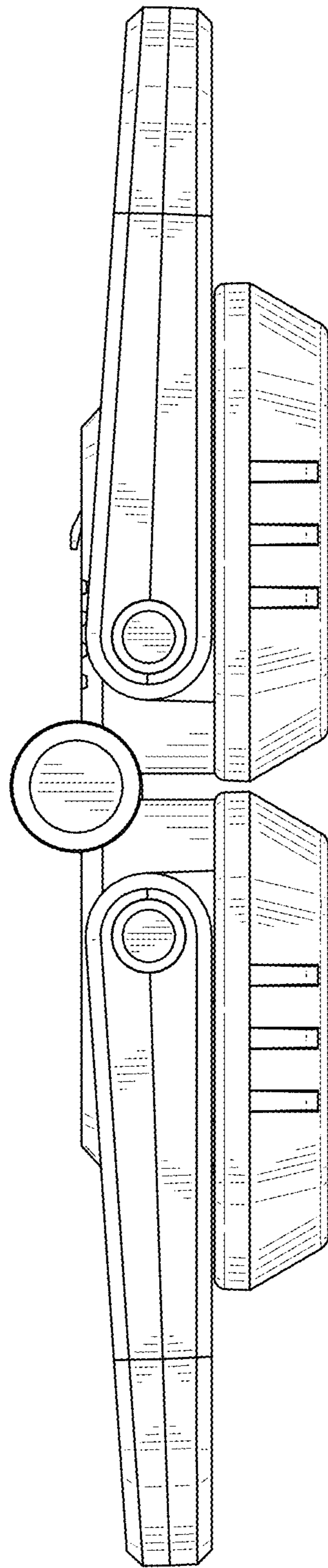


FIG. 5

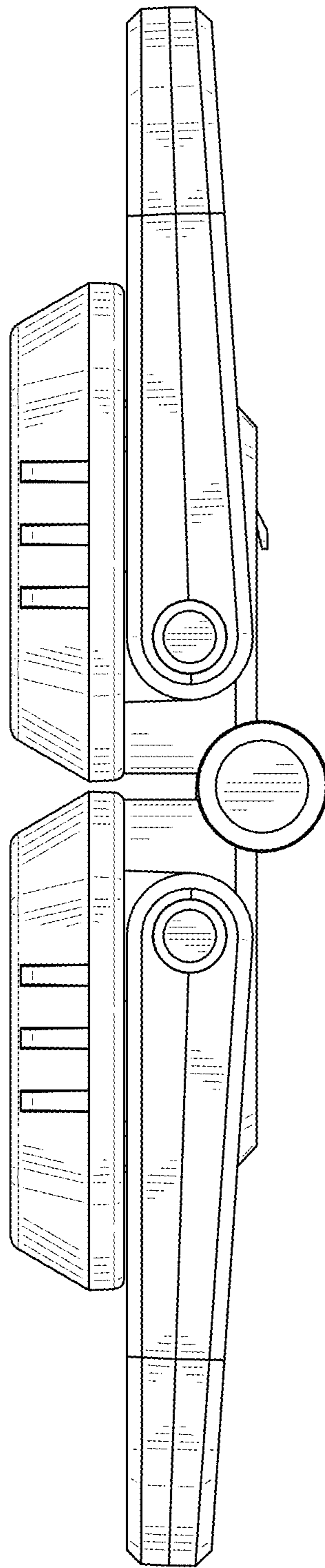


FIG. 6

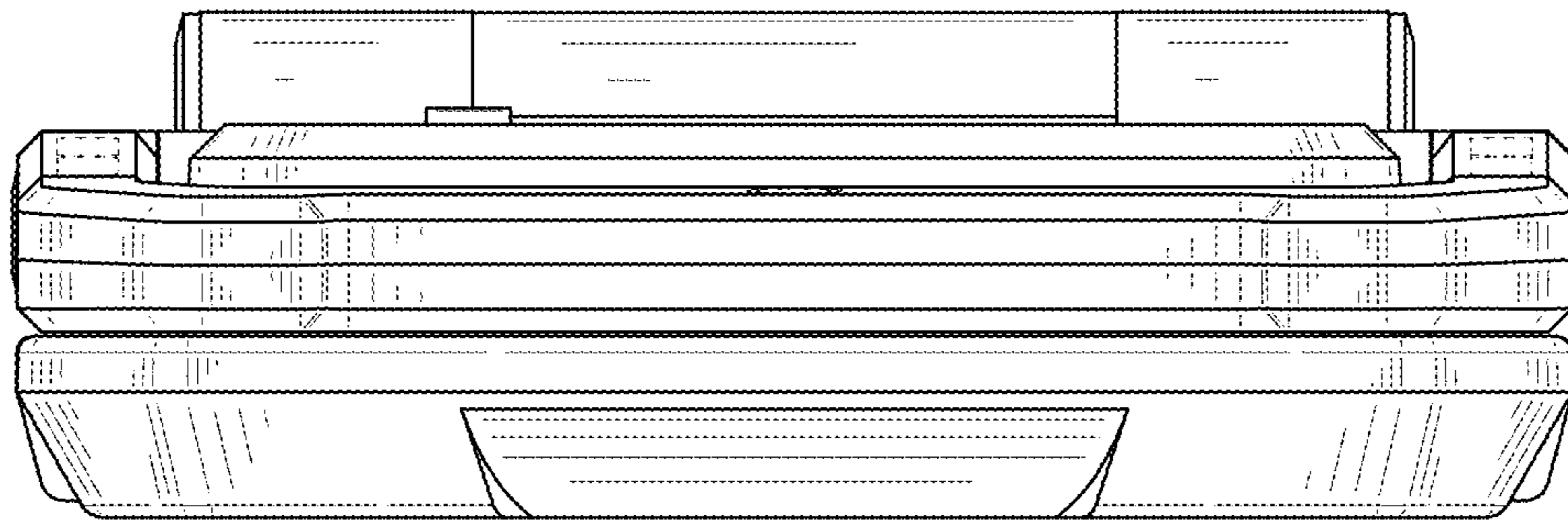


FIG. 7

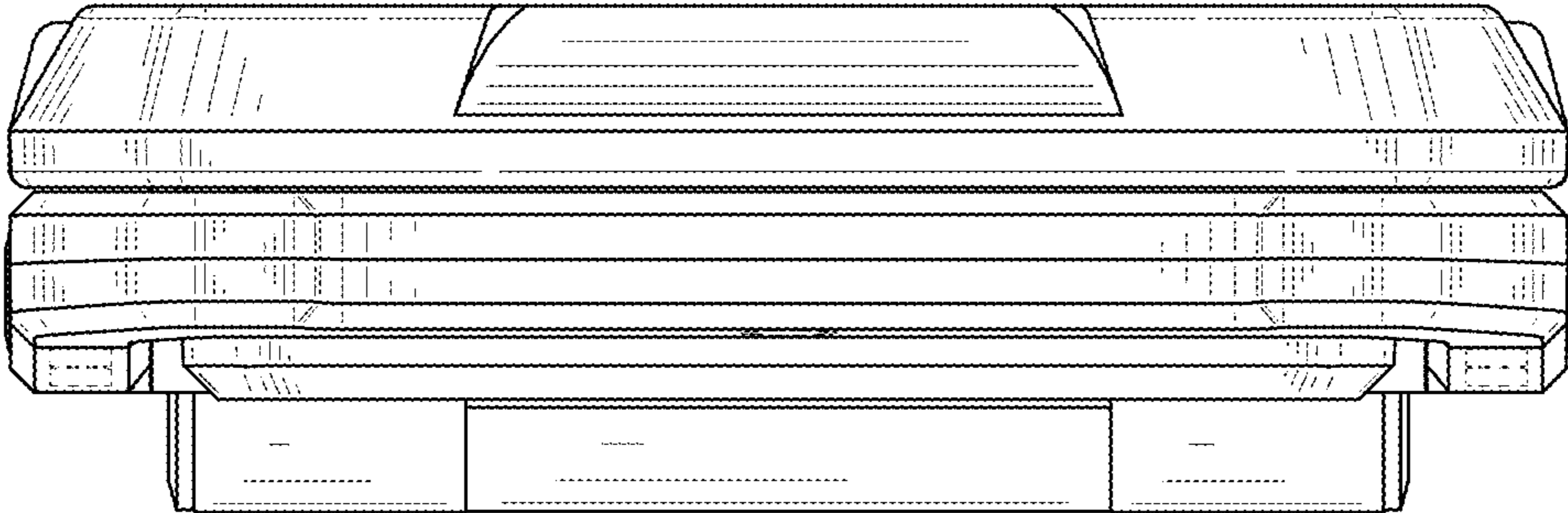


FIG. 8

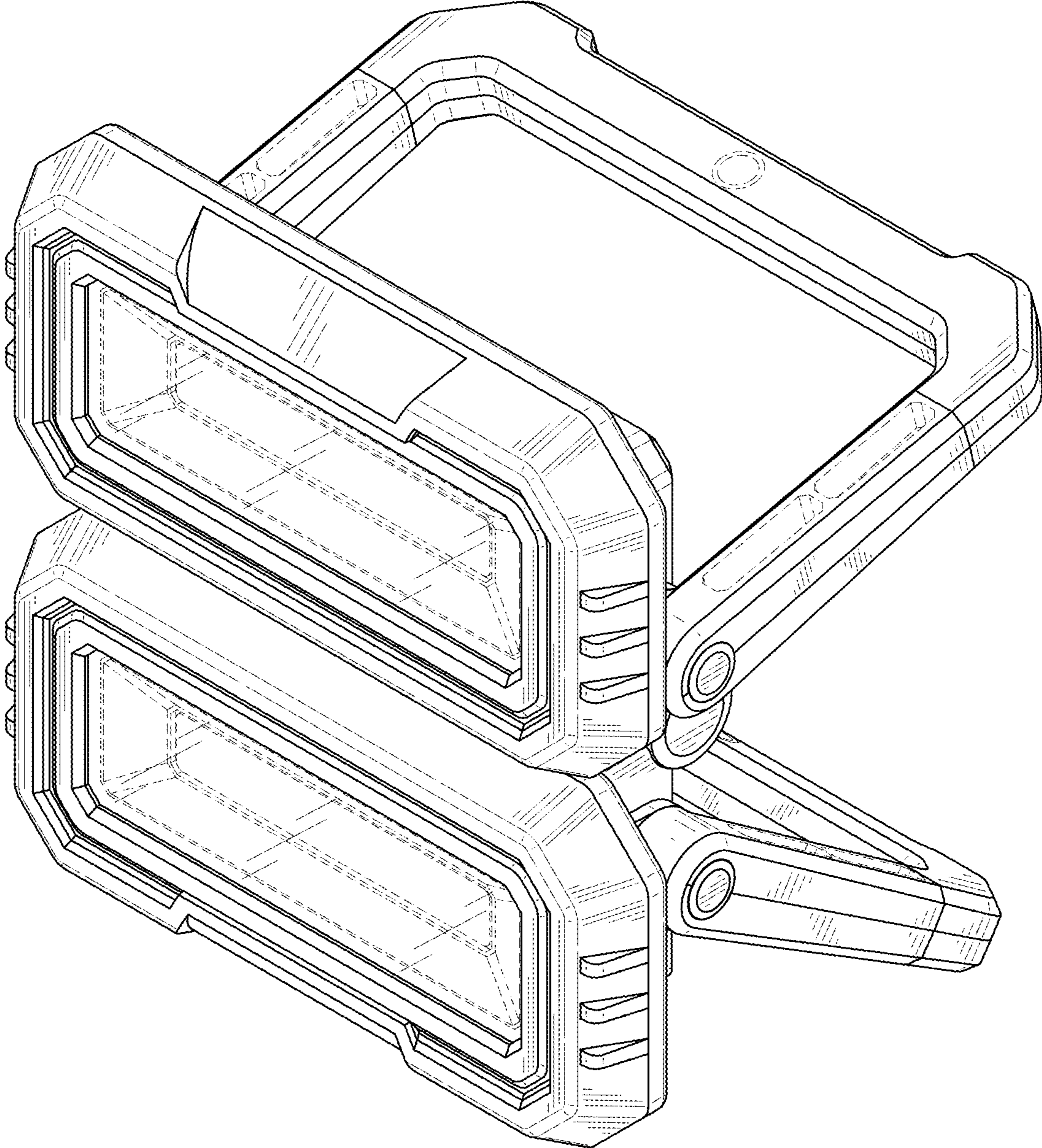


FIG. 9

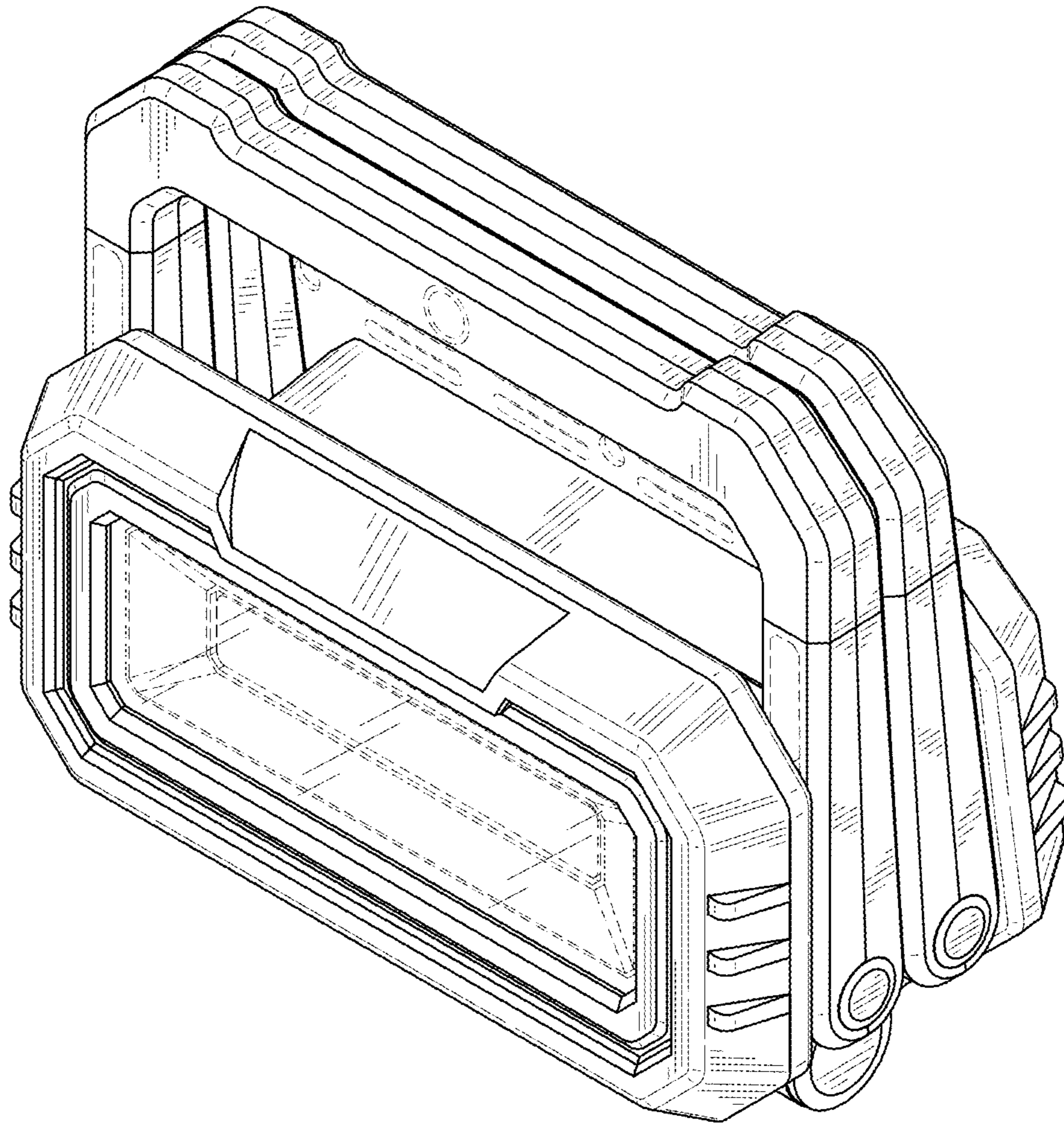


FIG. 10