



US00D927750S

(12) **United States Design Patent**
Liu

(10) **Patent No.:** **US D927,750 S**

(45) **Date of Patent:** **** Aug. 10, 2021**

(54) **HEADLAMP**

(71) Applicant: **Shenzhen Severe Cold Technology Co., Ltd.**, Shenzhen (CN)

(72) Inventor: **Fuhai Liu**, Guangdong (CN)

(**) Term: **15 Years**

(21) Appl. No.: **29/713,201**

(22) Filed: **Nov. 14, 2019**

(30) **Foreign Application Priority Data**

May 14, 2019 (CN) 201930233162.3

(51) **LOC (13) Cl.** **26-02**

(52) **U.S. Cl.**
USPC **D26/39**
CPC **F21L 4/02** (2013.01)

(58) **Field of Classification Search**
USPC D26/37-51
CPC F21L 2003/00; F21L 4/005; F21L 4/025;
F21L 4/027; F21L 4/04; F21L 4/08; F21L
13/00; F21L 13/08; F21L 14/02; F21L
19/00; F21L 2/00; F21L 4/00-4/085;
F21L 15/00-15/14; F21L 2001/00; F21L
2005/00; F21L 25/00

See application file for complete search history.

(56) **References Cited**

U.S. PATENT DOCUMENTS

D531,335 S * 10/2006 Garrity D26/39
D552,278 S * 10/2007 Spartano D26/39

D612,524 S * 3/2010 Booher D26/39
D621,079 S * 8/2010 Lau D26/39
D672,893 S * 12/2012 Inskeep D26/39
D696,803 S * 12/2013 Kingston D26/39
D721,842 S * 1/2015 Opolka D26/39
D729,426 S * 5/2015 Dalton D26/39
D742,051 S * 10/2015 Abernethy D26/39
D743,597 S * 11/2015 Abernethy D26/39
D743,598 S * 11/2015 Inskeep D26/39
D745,730 S * 12/2015 Kunzendorf D26/39
D810,336 S * 2/2018 Green D26/39
D876,695 S * 2/2020 Hine D26/39
D884,238 S * 5/2020 Thatcher D26/39

* cited by examiner

Primary Examiner — Richard E Chilcot

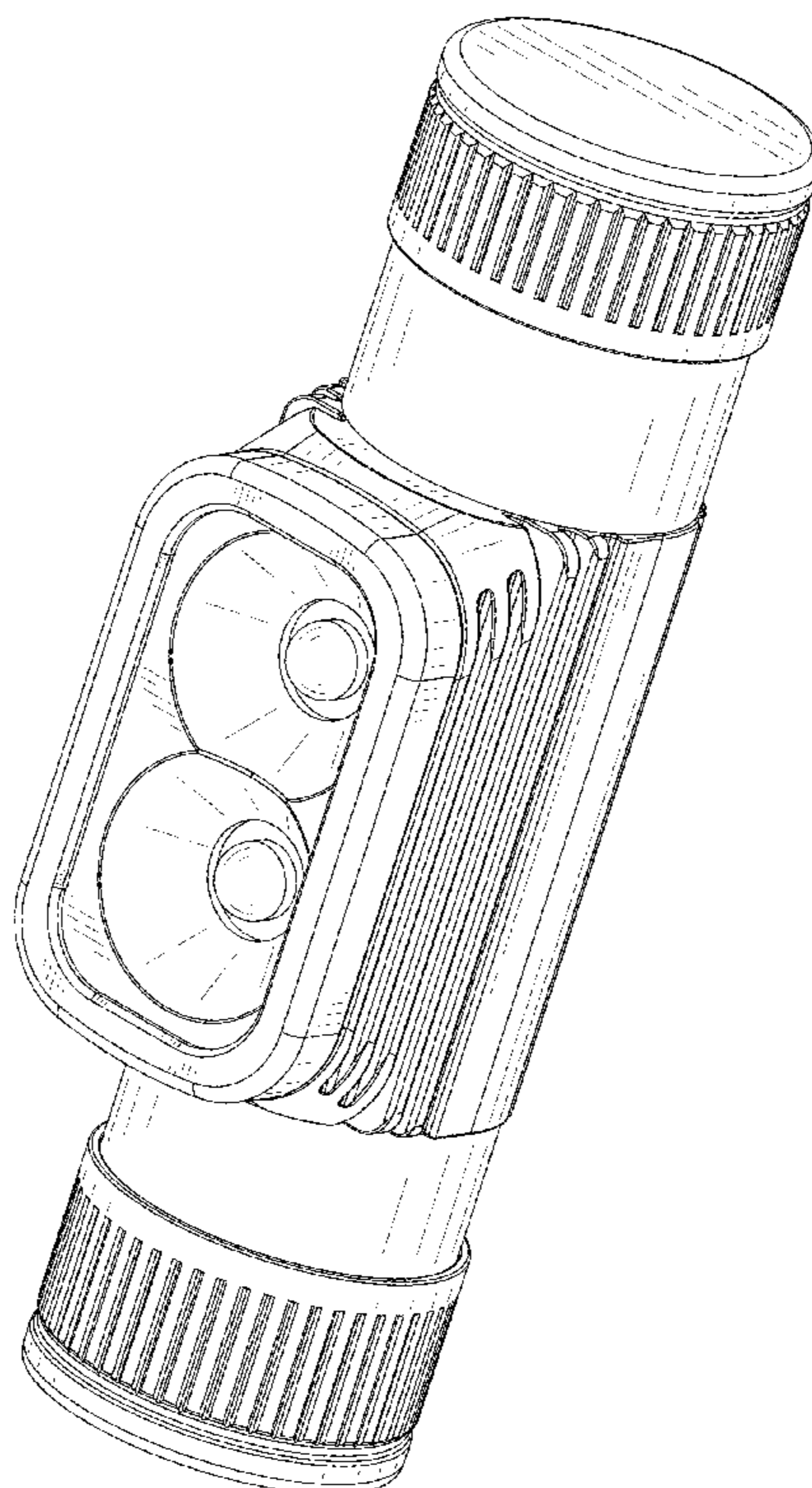
(57) **CLAIM**

The ornamental design for a headlamp, as shown and described.

DESCRIPTION

FIG. 1 is a front elevational view of a headlamp showing my new design;
FIG. 2 is a rear elevational view thereof;
FIG. 3 is a left side view thereof;
FIG. 4 is a right side view thereof;
FIG. 5 is a top plan view thereof;
FIG. 6 is a bottom plan view thereof; and,
FIG. 7 is a perspective view thereof.
The broken lines show portions of the headlamp which form no part of the claimed design.

1 Claim, 7 Drawing Sheets



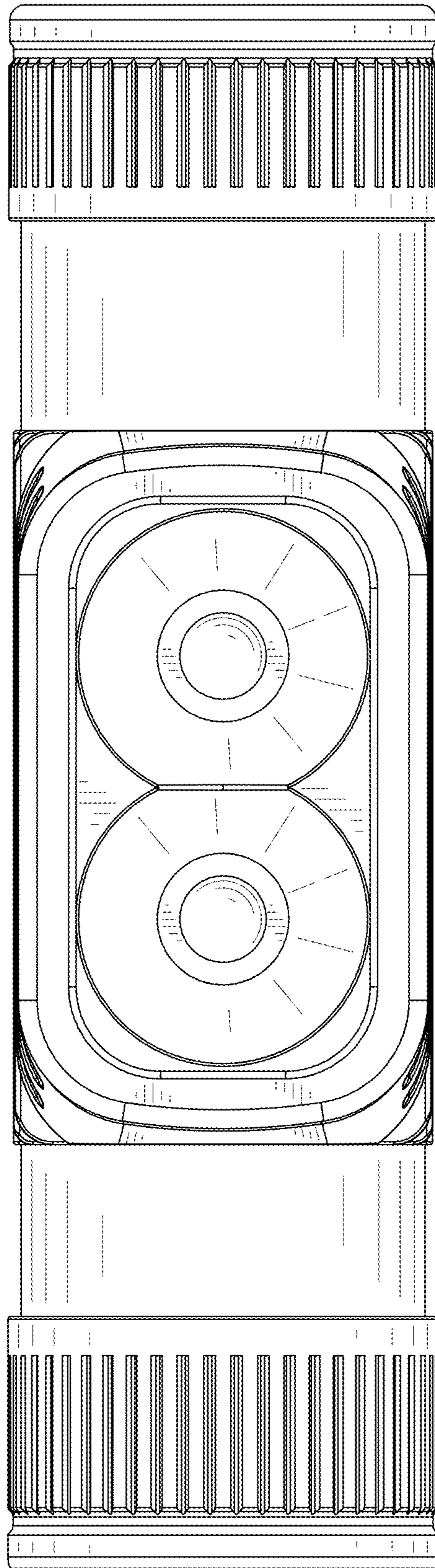


FIG. 1

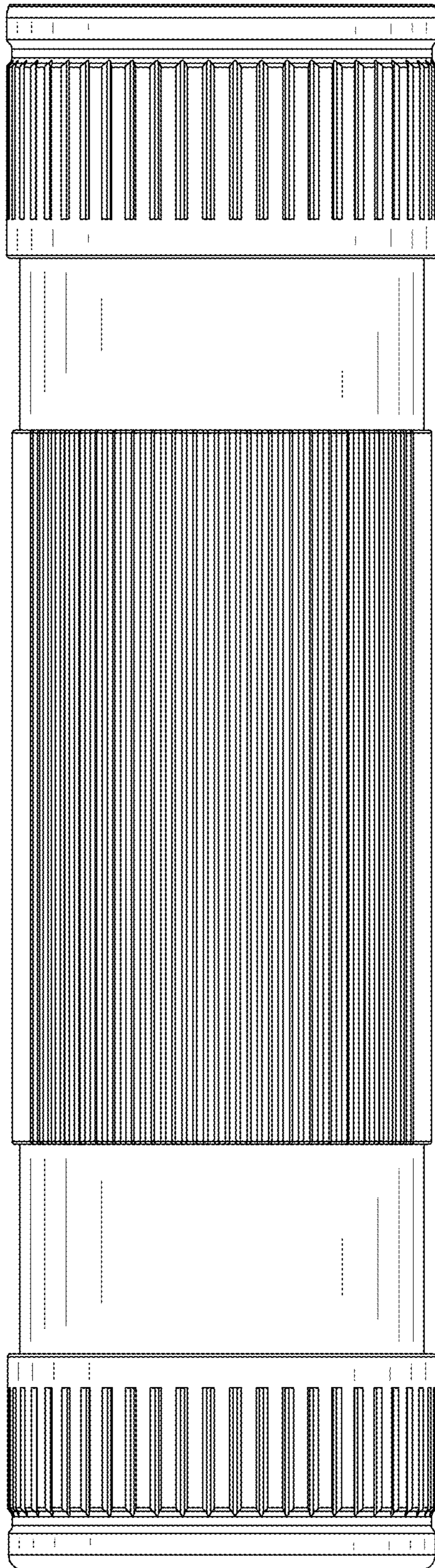


FIG. 2

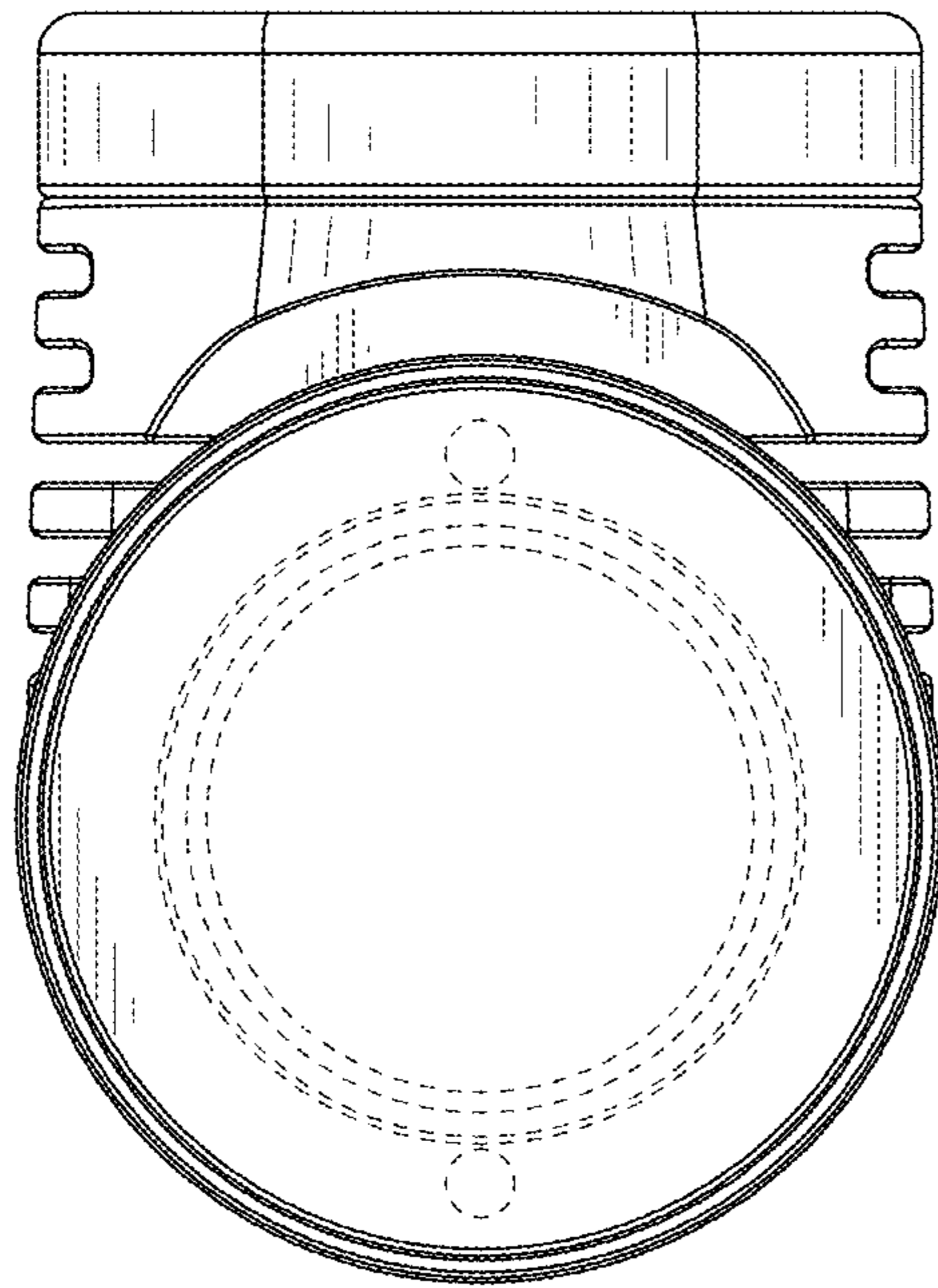


FIG. 3

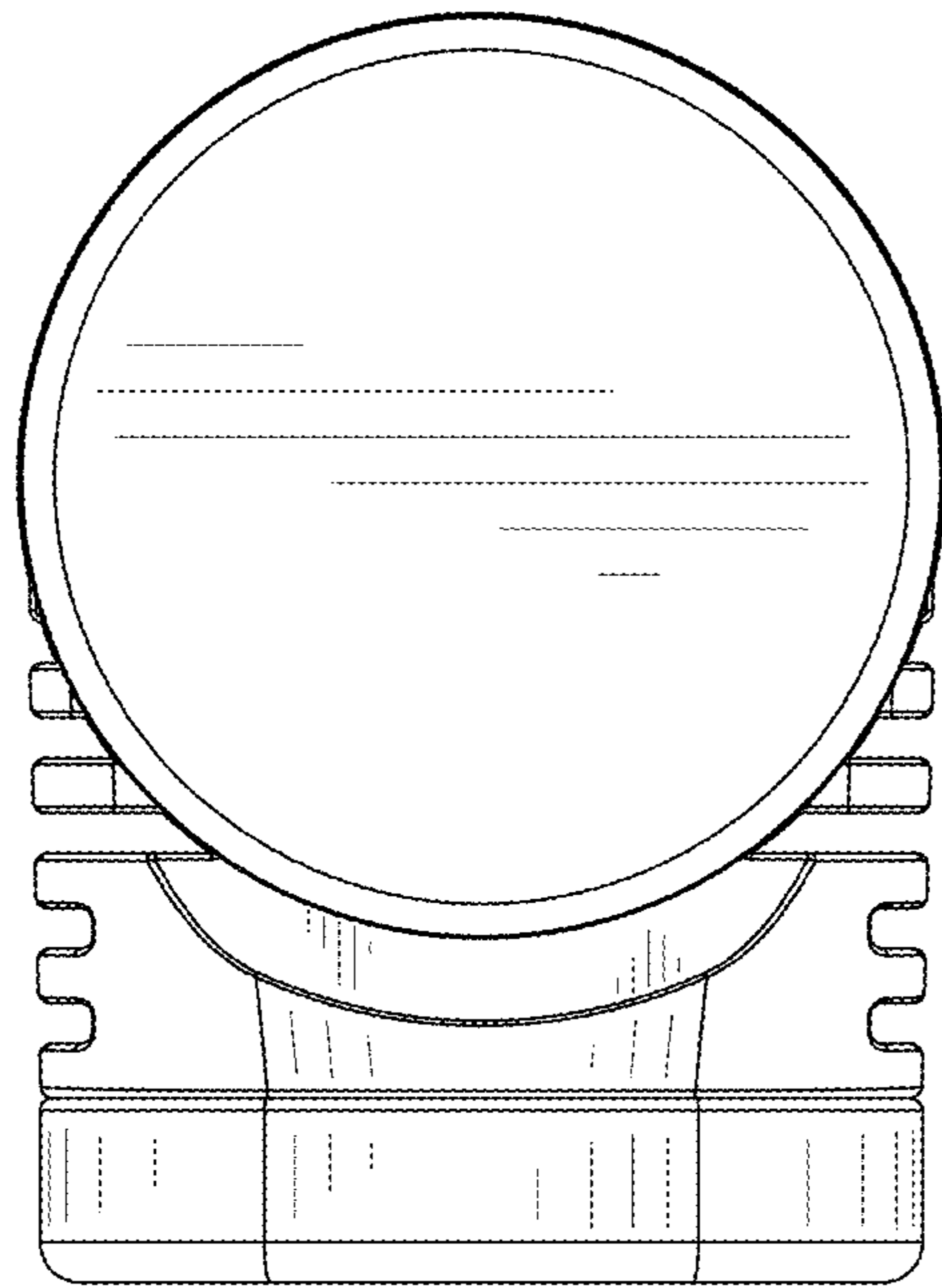


FIG. 4

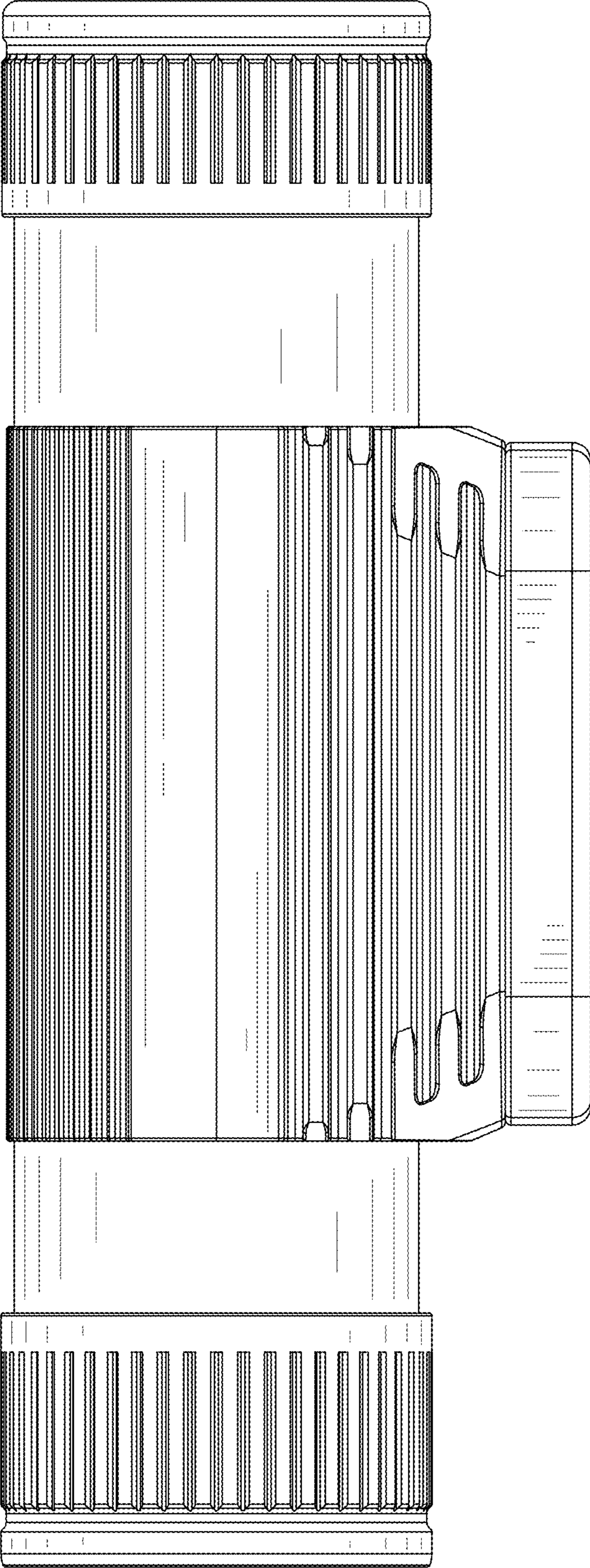


FIG. 5

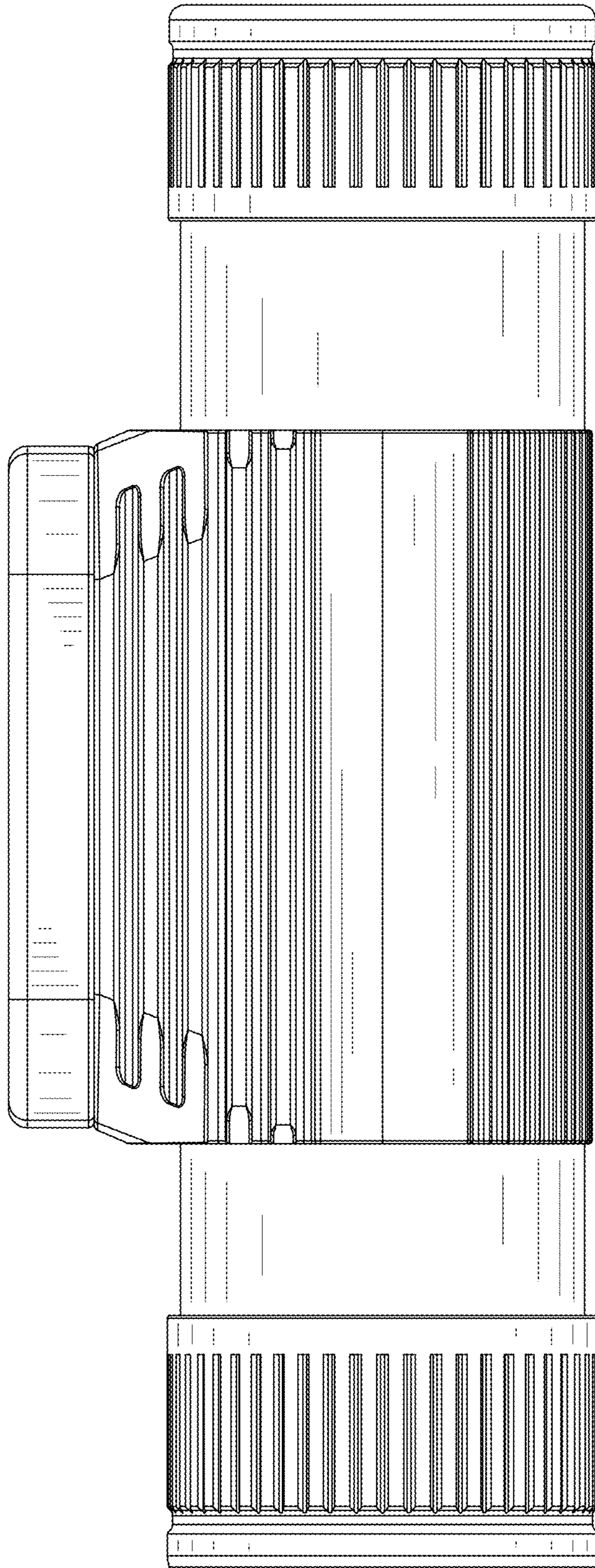


FIG. 6

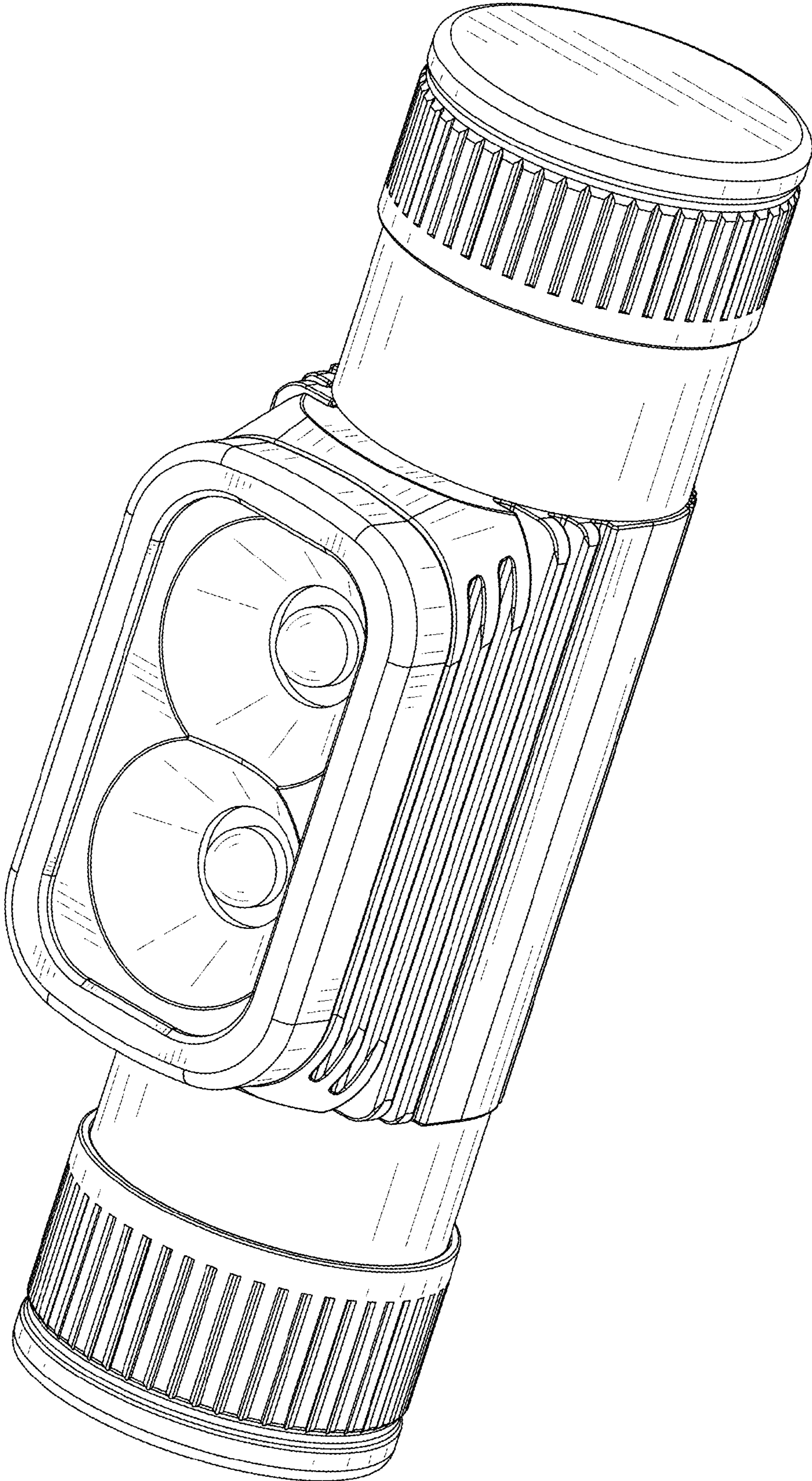


FIG. 7