



US00D927748S

(12) **United States Design Patent**  
**Zhang**

(10) **Patent No.:** **US D927,748 S**

(45) **Date of Patent:** **\*\* Aug. 10, 2021**

(54) **STATUS LIGHT FOR VEHICLE**

(71) Applicant: **NINEBOT (BEIJING) TECH. CO., LTD**, Beijing (CN)

(72) Inventor: **Shengqiao Zhang**, Beijing (CN)

(73) Assignee: **NINEBOT (BEIJING) TECH. CO., LTD**, Beijing (CN)

(\*\*) Term: **15 Years**

(21) Appl. No.: **35/509,826**

(22) Filed: **Jan. 16, 2020**

(80) **Hague Agreement Data**

Int. Filing Date: **Jan. 16, 2020**

Int. Reg. No.: **DM/207230**

Int. Reg. Date: **Jan. 16, 2020**

Int. Reg. Pub. Date: **Jul. 17, 2020**

(30) **Foreign Application Priority Data**

Sep. 3, 2019 (CN) ..... 201930483281.4

(51) **LOC (13) Cl.** ..... **26-06**

(52) **U.S. Cl.**  
USPC ..... **D26/28**

(58) **Field of Classification Search**  
USPC ..... D10/114.1; D26/28, 52  
See application file for complete search history.

(56) **References Cited**

U.S. PATENT DOCUMENTS

D792,991 S *	7/2017	Wu	.....	D26/28
D878,642 S *	3/2020	Ren	.....	D26/28
D884,226 S *	5/2020	Yang	.....	D26/28
D884,936 S *	5/2020	Chen	.....	D26/28

\* cited by examiner

*Primary Examiner* — George D. Kirschbaum

(74) *Attorney, Agent, or Firm* — Polson Intellectual Property Law, PC; Margaret Polson

(57) **CLAIM**

The ornamental design for a status light for vehicle, as shown and described.

**DESCRIPTION**

1. Status light for vehicle

1.1 : Front

1.2 : Back

1.3 : Left

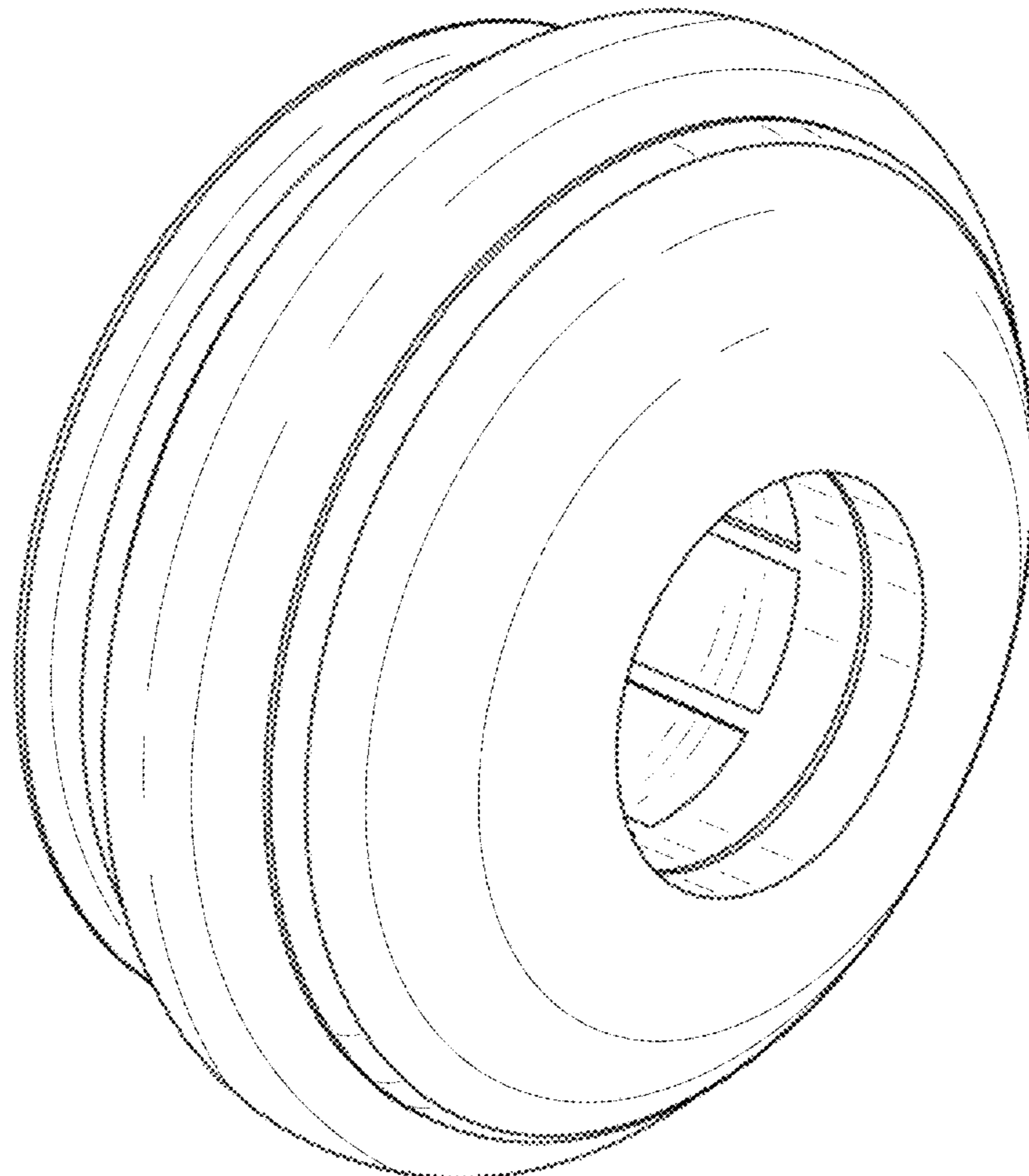
1.4 : Right

1.5 : Top

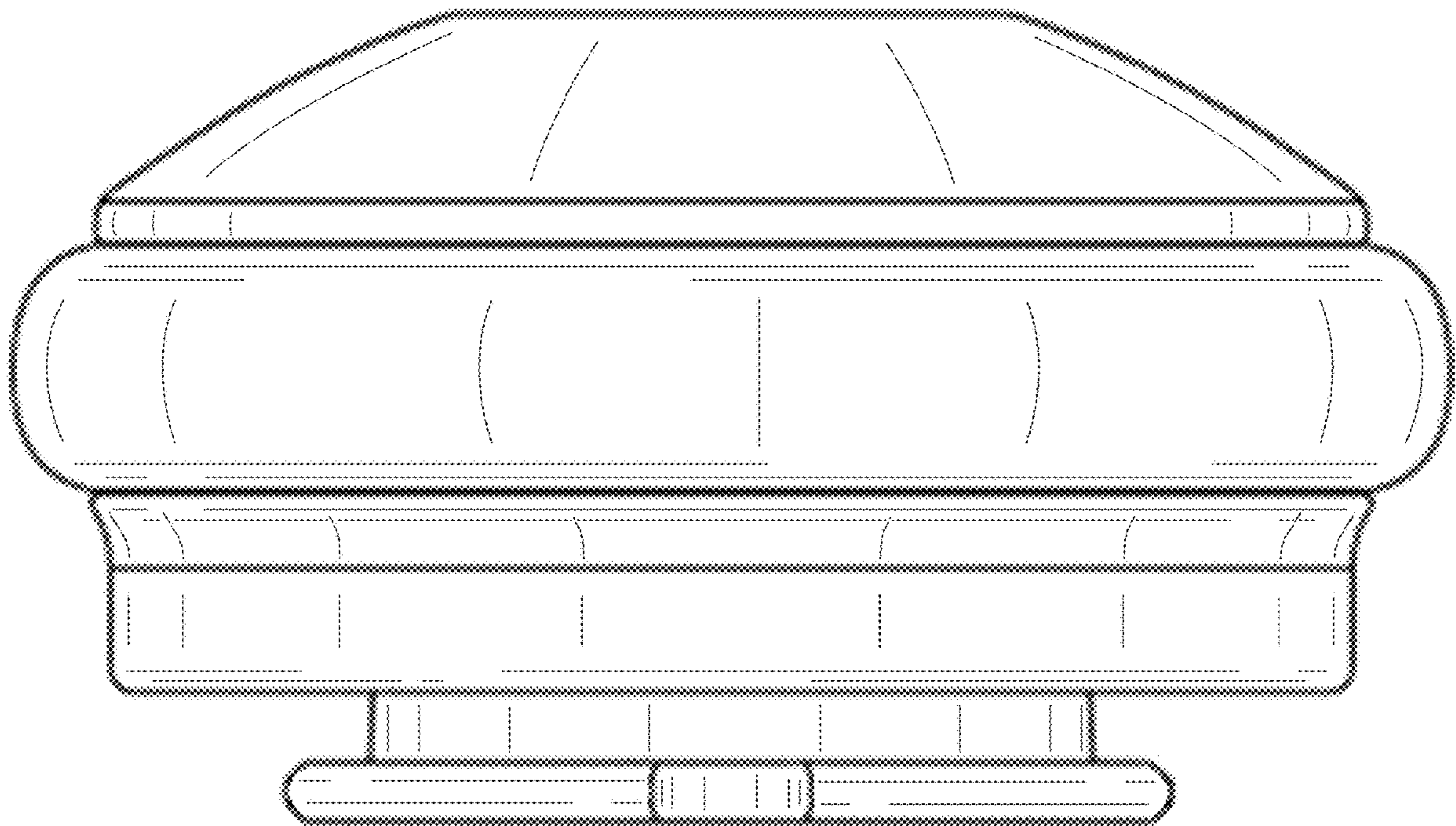
1.6 : Bottom

1.7 : Perspective

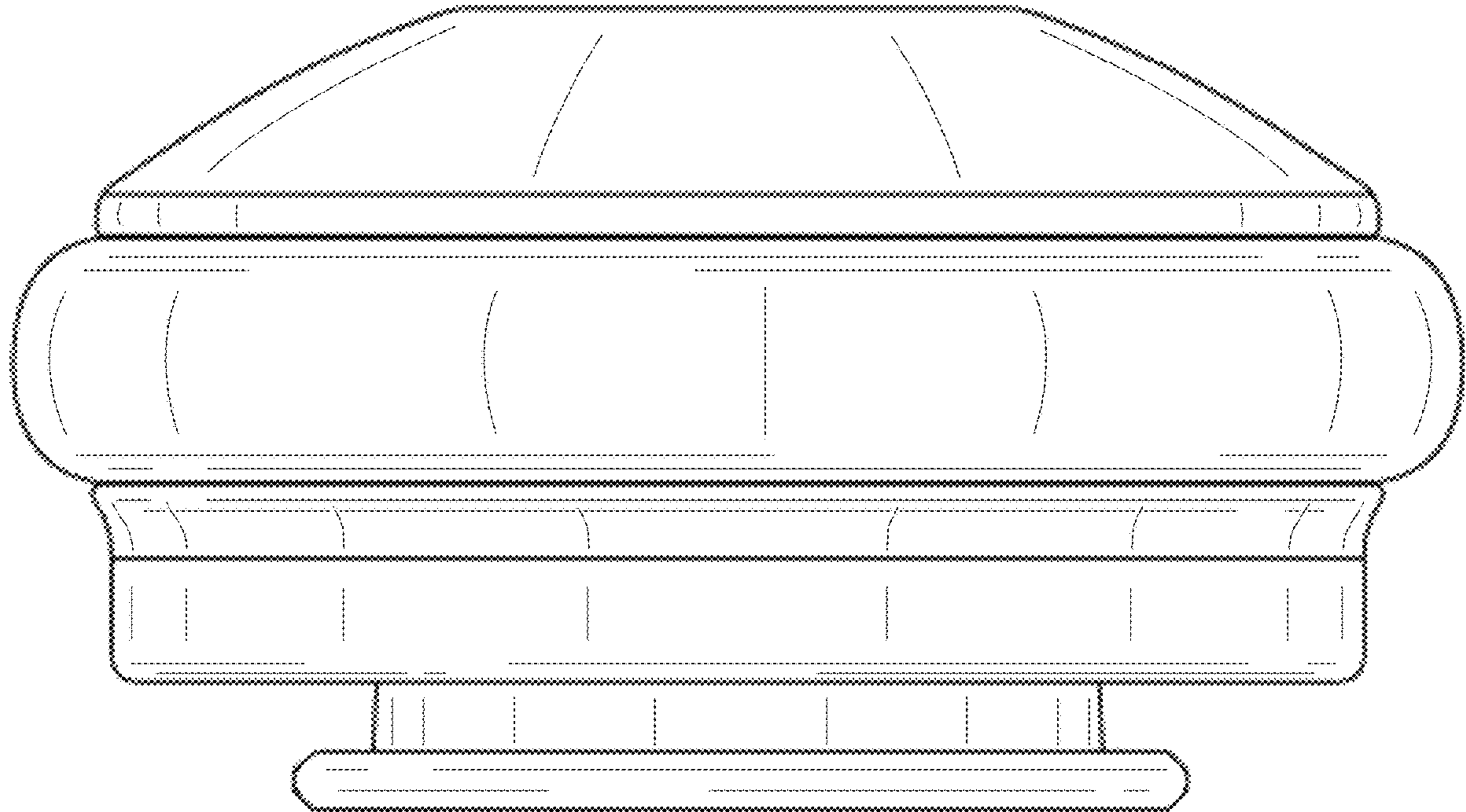
**1 Claim, 7 Drawing Sheets**



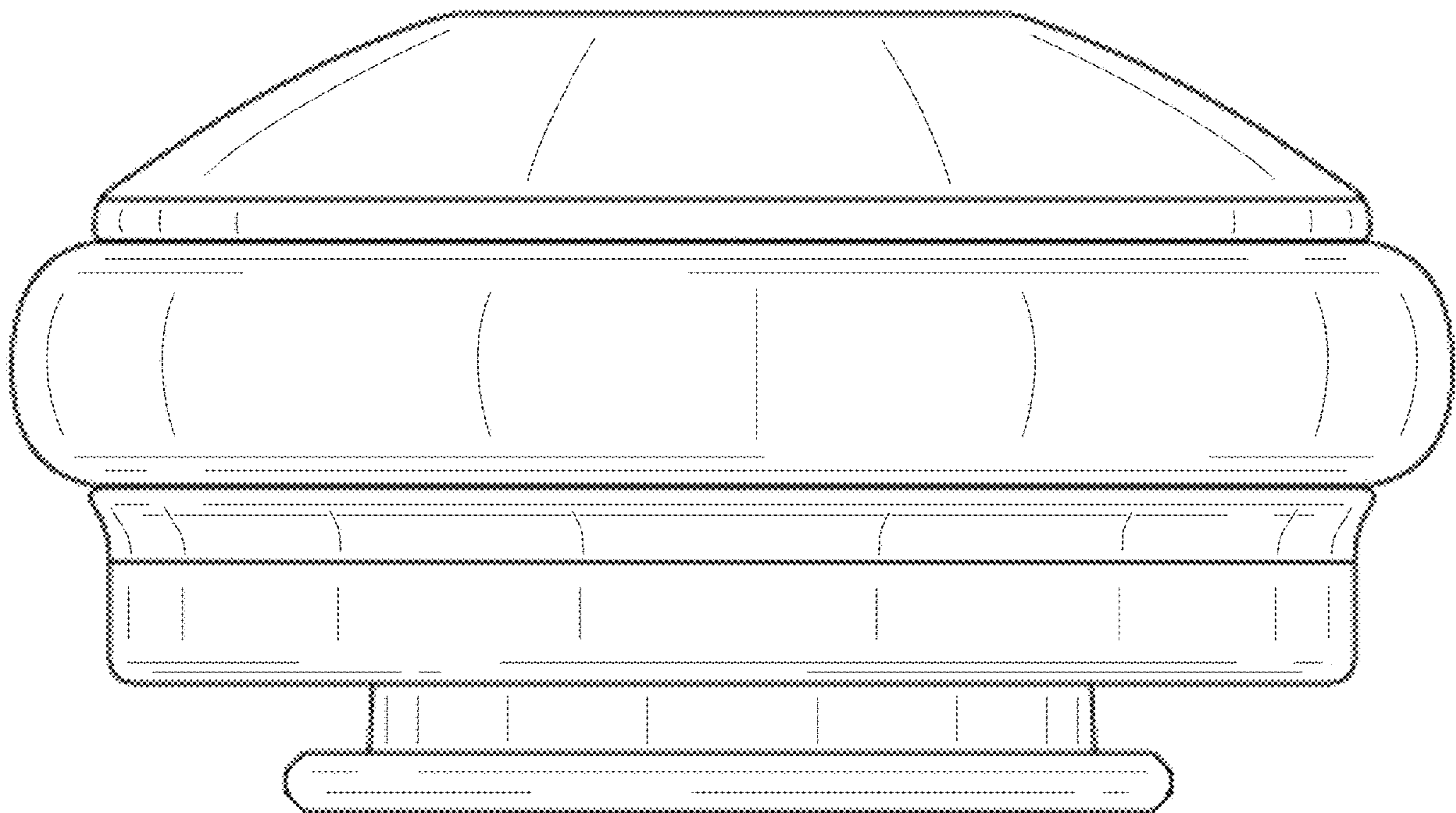
1.1



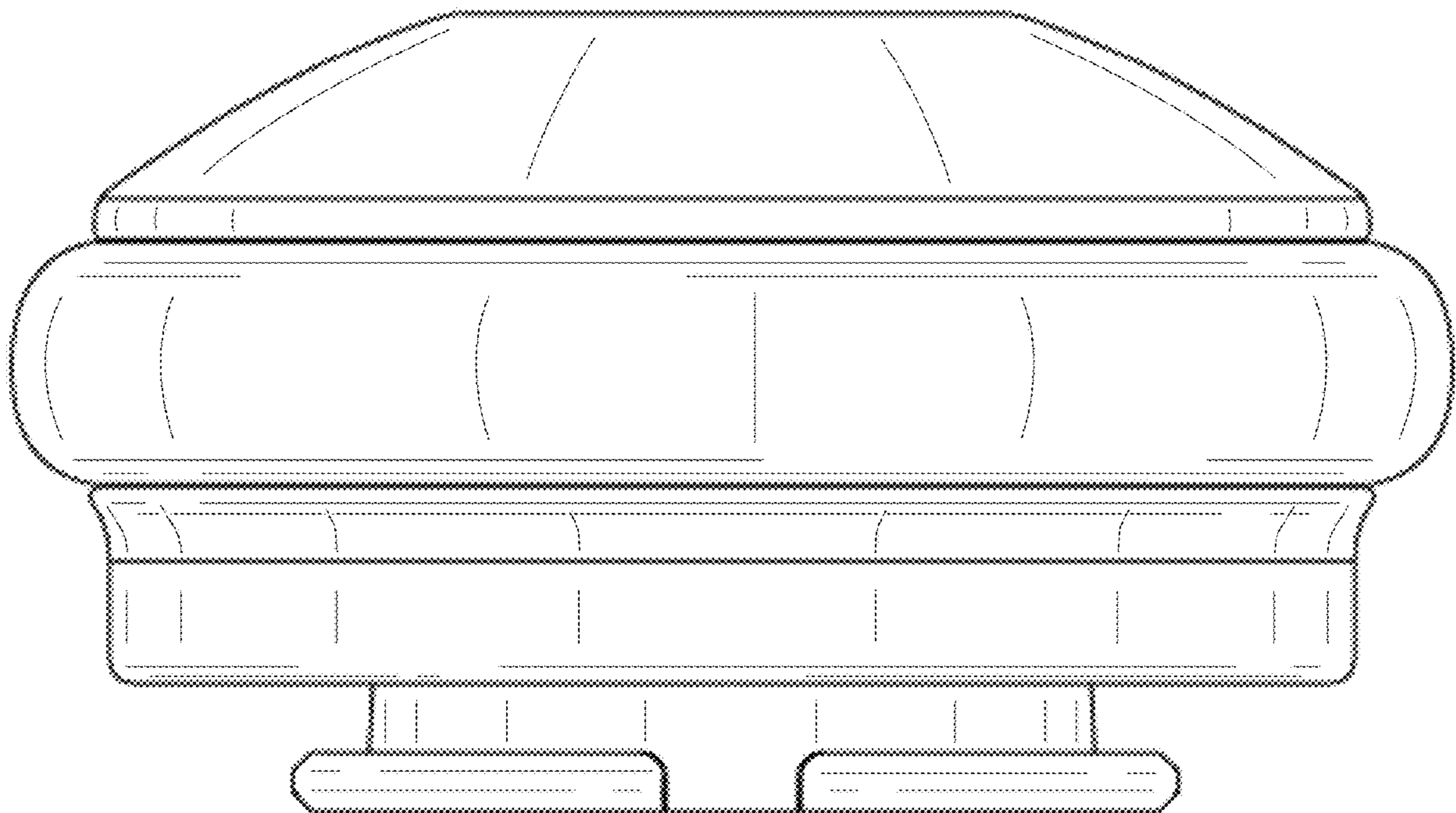
1.2



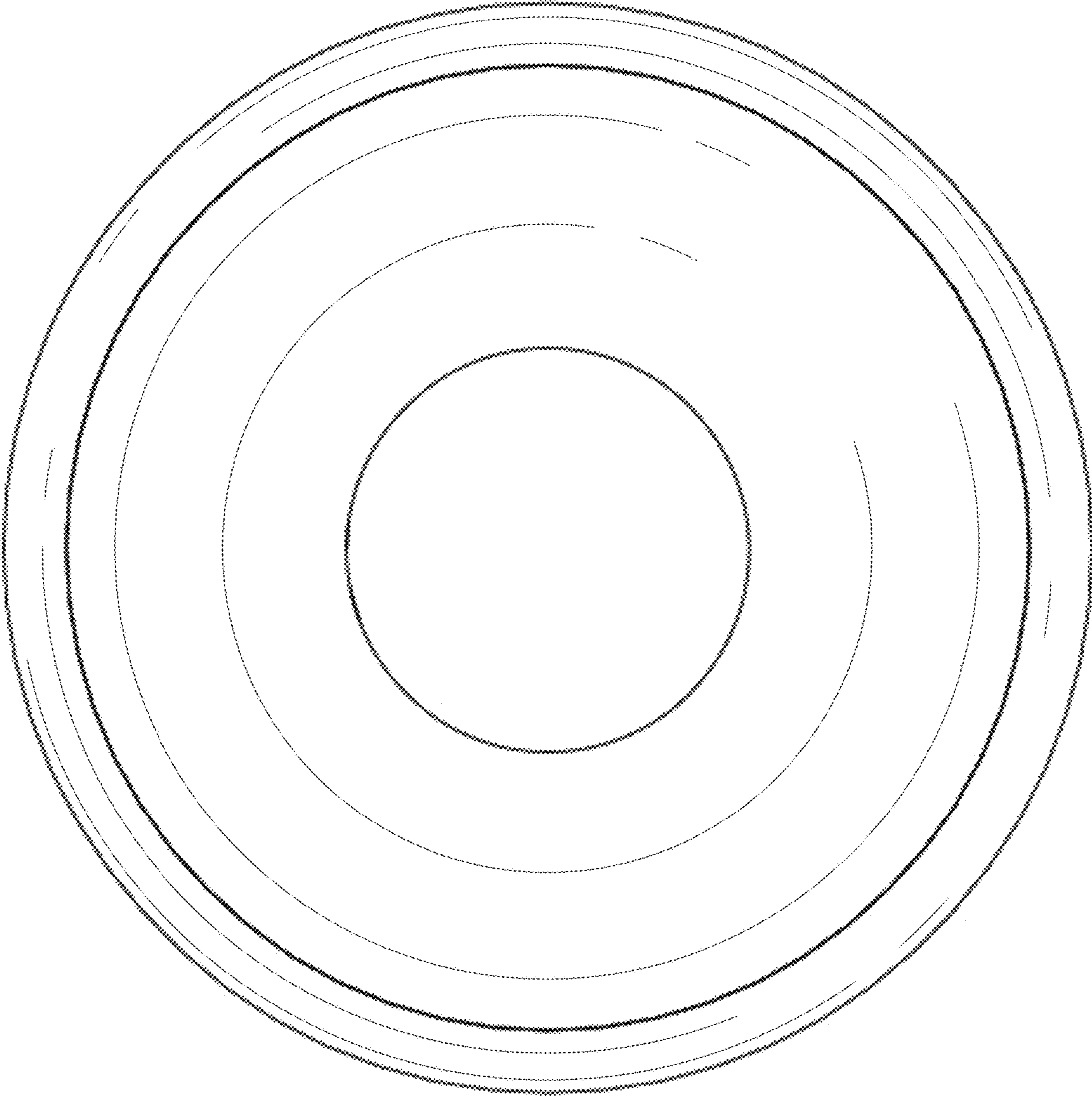
1.3



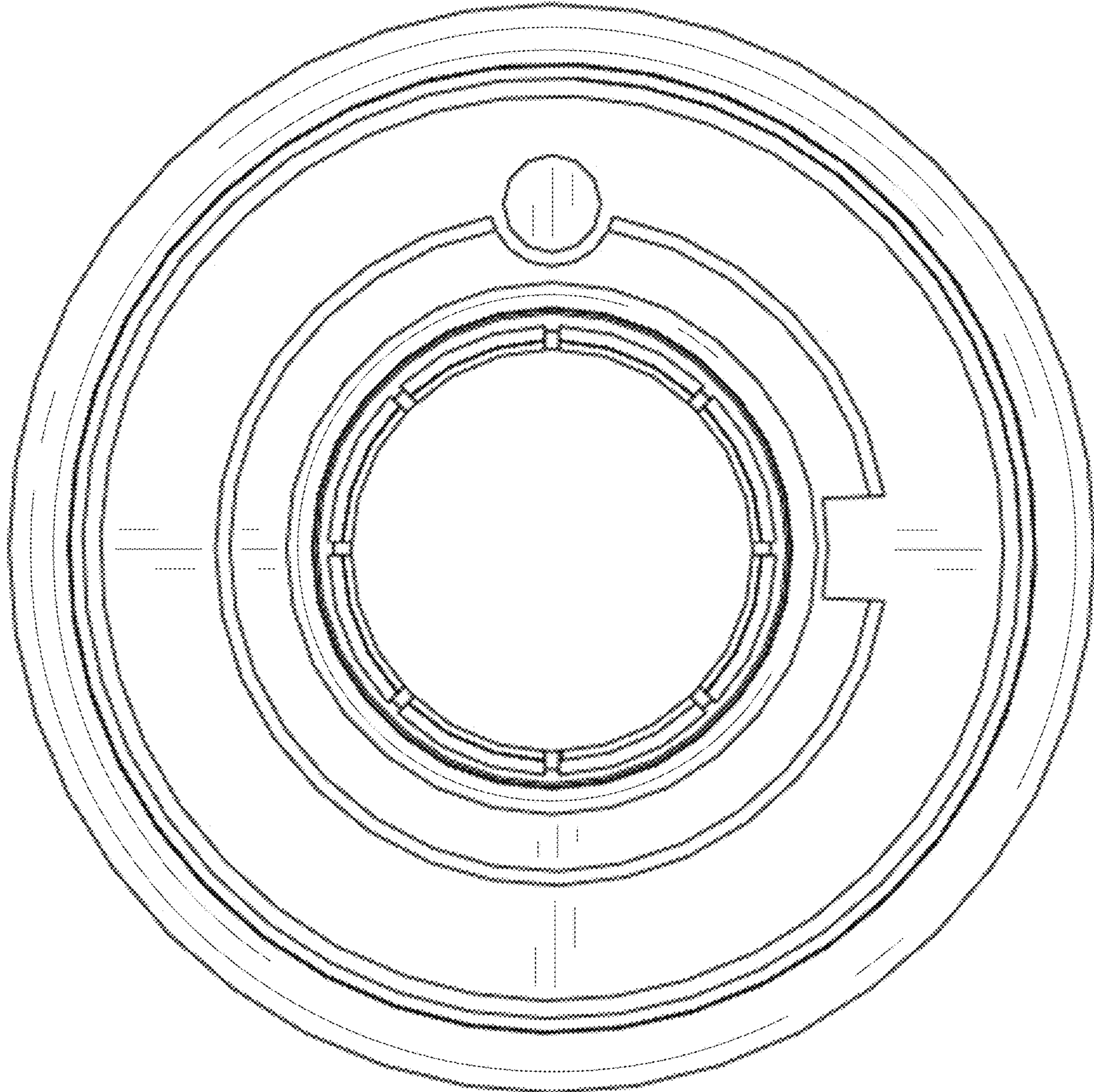
1.4



1.5



1.6



1.7

