



US00D927747S

(12) **United States Design Patent**  
**Thomas**

(10) **Patent No.:** **US D927,747 S**  
(45) **Date of Patent:** **\*\* Aug. 10, 2021**

(54) **TAIL LAMP DAYTIME RUNNING LIGHT ARRANGEMENT**

D721,840 S \* 1/2015 Futschik ..... D26/28  
D728,134 S \* 4/2015 Bieling ..... D26/28  
D812,791 S \* 3/2018 Wu ..... D26/28

(71) Applicant: **JAGUAR LAND ROVER LIMITED**,  
Coventry (GB)

\* cited by examiner

(72) Inventor: **Gareth Thomas**, Coventry (GB)

*Primary Examiner* — Marcus A Jackson

(73) Assignee: **JAGUAR LAND ROVER LIMITED**,  
Coventry (GB)

(74) *Attorney, Agent, or Firm* — Reising Ethington P.C.

(\*\*) Term: **15 Years**

(57) **CLAIM**

(21) Appl. No.: **29/774,189**

The ornamental design for a tail lamp daytime running light arrangement, as shown and described.

(22) Filed: **Mar. 15, 2021**

**DESCRIPTION**

**Related U.S. Application Data**

(62) Division of application No. 29/691,494, filed on May 16, 2019, now Pat. No. Des. 916,335.

FIG. 1 is a front left perspective view of a tail lamp daytime running light arrangement of a vehicle;

(51) **LOC (13) Cl.** ..... **26-06**

FIG. 2 is a front view thereof;

(52) **U.S. Cl.**  
USPC ..... **D26/28**

FIG. 3 is a left side view thereof;

(58) **Field of Classification Search**  
USPC ..... D26/28-36, 139  
CPC ..... F21S 48/00; F21S 48/10; F21S 48/115;  
F21S 48/225; F21S 48/1233; F21S 48/1266; F21S 48/1388; F21S 48/2268;  
F21V 5/00; F21V 21/04; F21V 29/004;  
B60Q 9/13; B60Q 9/135; B60Q 9/1375  
See application file for complete search history.

FIG. 4 is another front view thereof, but with the tail lamp daytime running light arrangement located on a vehicle, and the rest of the vehicle shown in de-emphasized and half tone portions to illustrate environmental structure; these portions form no part of the claimed design; more particularly, in FIG. 4, the tail lamp daytime running light arrangement is shown within a broken line; and,

(56) **References Cited**

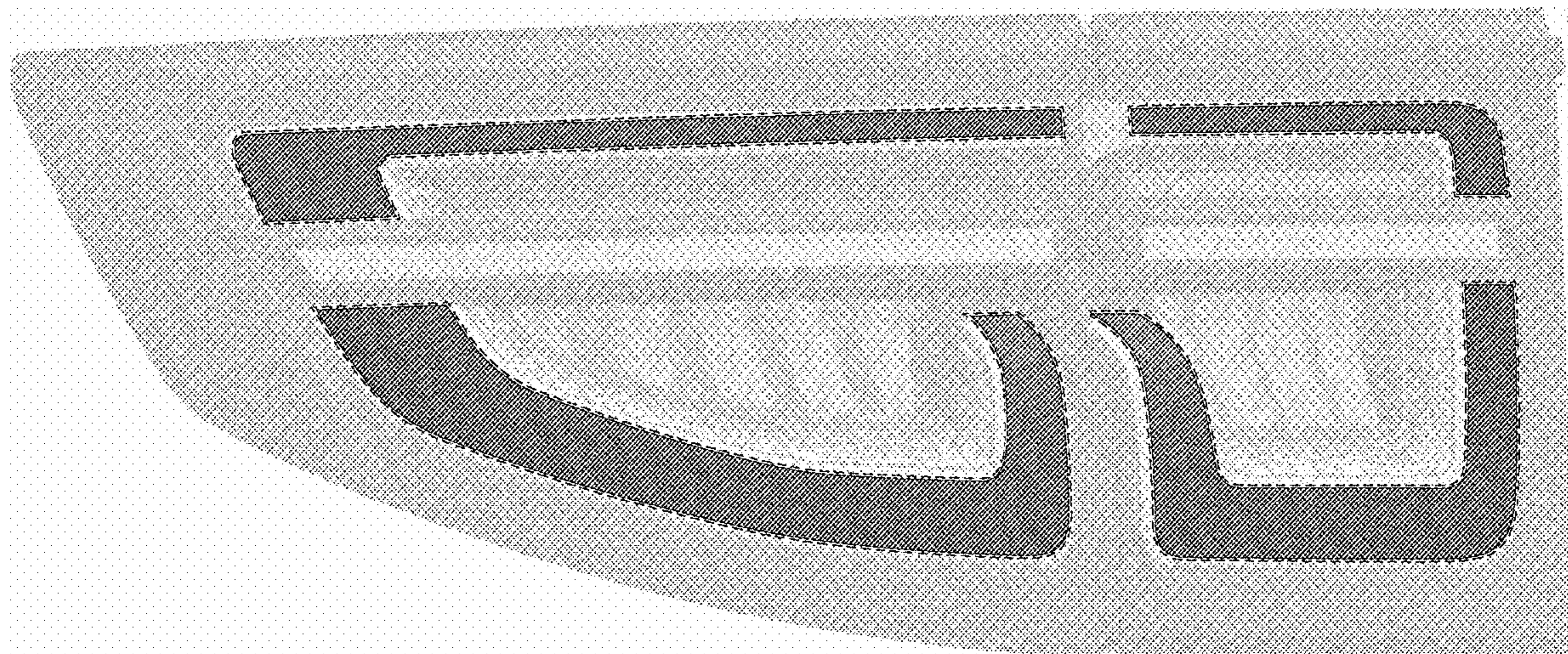
**U.S. PATENT DOCUMENTS**

D688,824 S \* 8/2013 Binder ..... D26/28  
D710,522 S \* 8/2014 Kwon ..... D26/28  
D715,978 S \* 10/2014 Loeb ..... D26/28

FIG. 5 shows a variation of the embodiment shown in FIG. 4, with the same tail lamp daytime running light arrangement located on both sides of an unclaimed vehicle, as mirror images, thereby comprising an arrangement which includes a pair of daytime running lights.

In FIGS. 1-5, for visual clarity, a darker shade is used to show the activated, or illuminated, state of the tail lamp daytime running light arrangement, in inverted fashion. This darker shade itself forms no part of the claimed design. Also, in these Figs. the surrounding lighter tone portions are included for environmental purposes, and form no part of the claimed design.

**1 Claim, 5 Drawing Sheets**



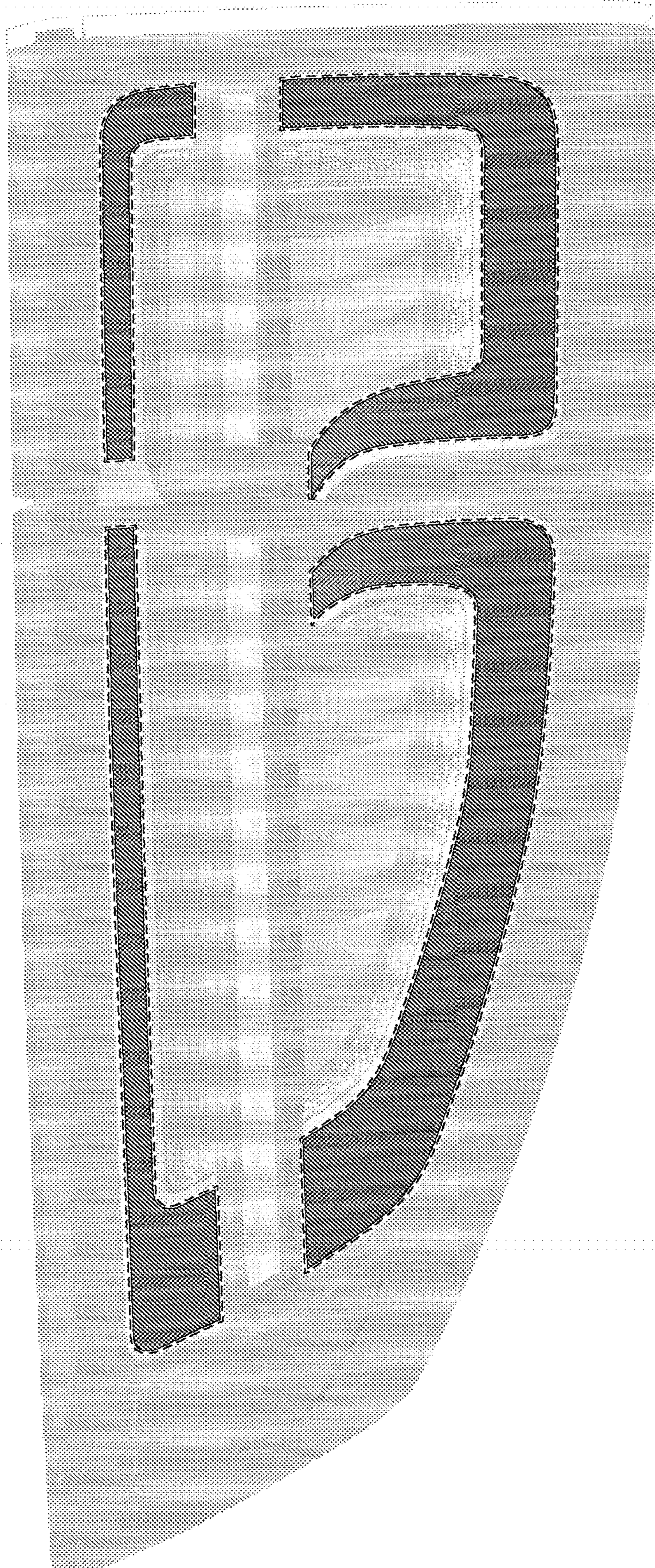


FIG. 1

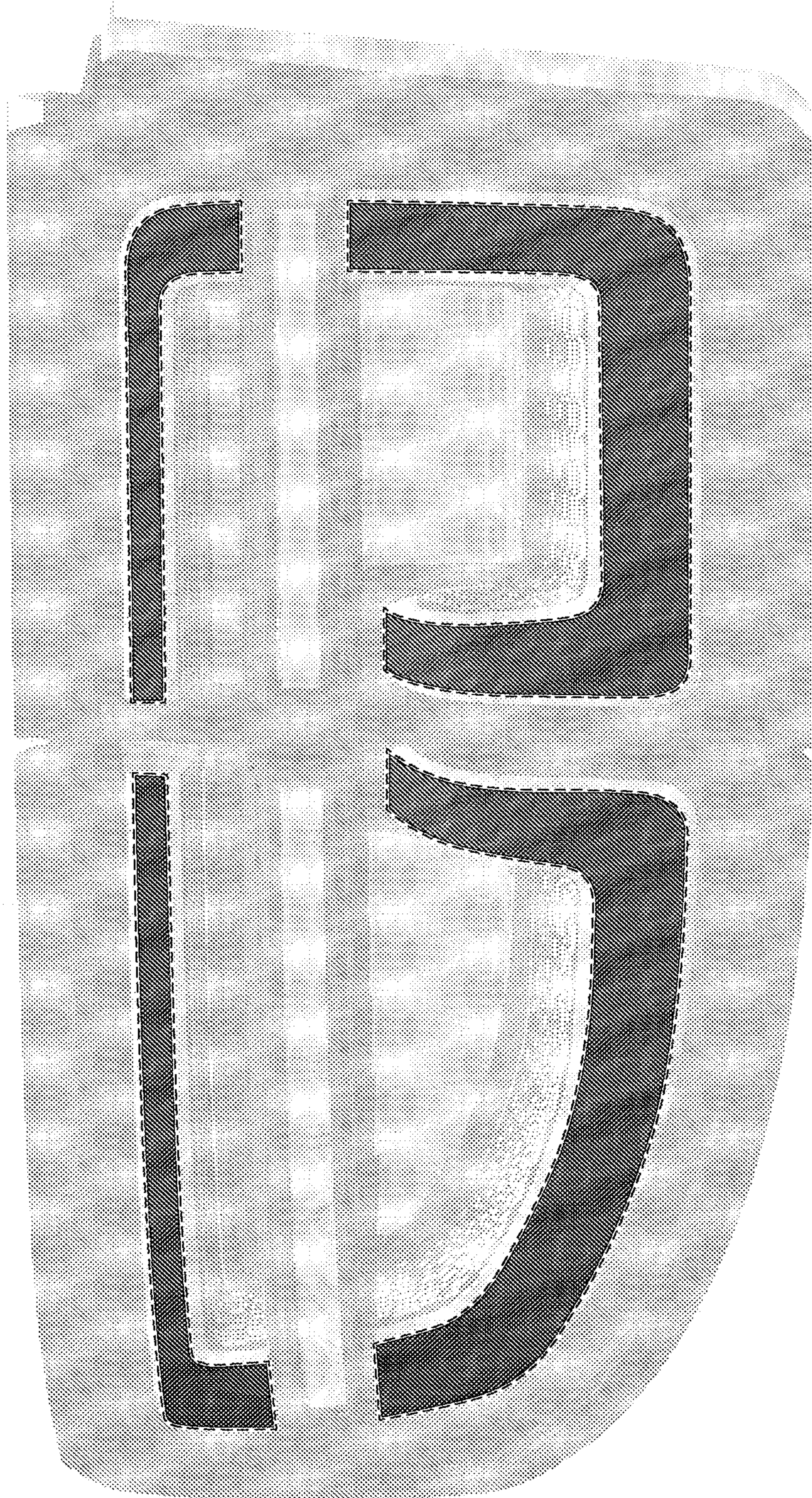


FIG. 2

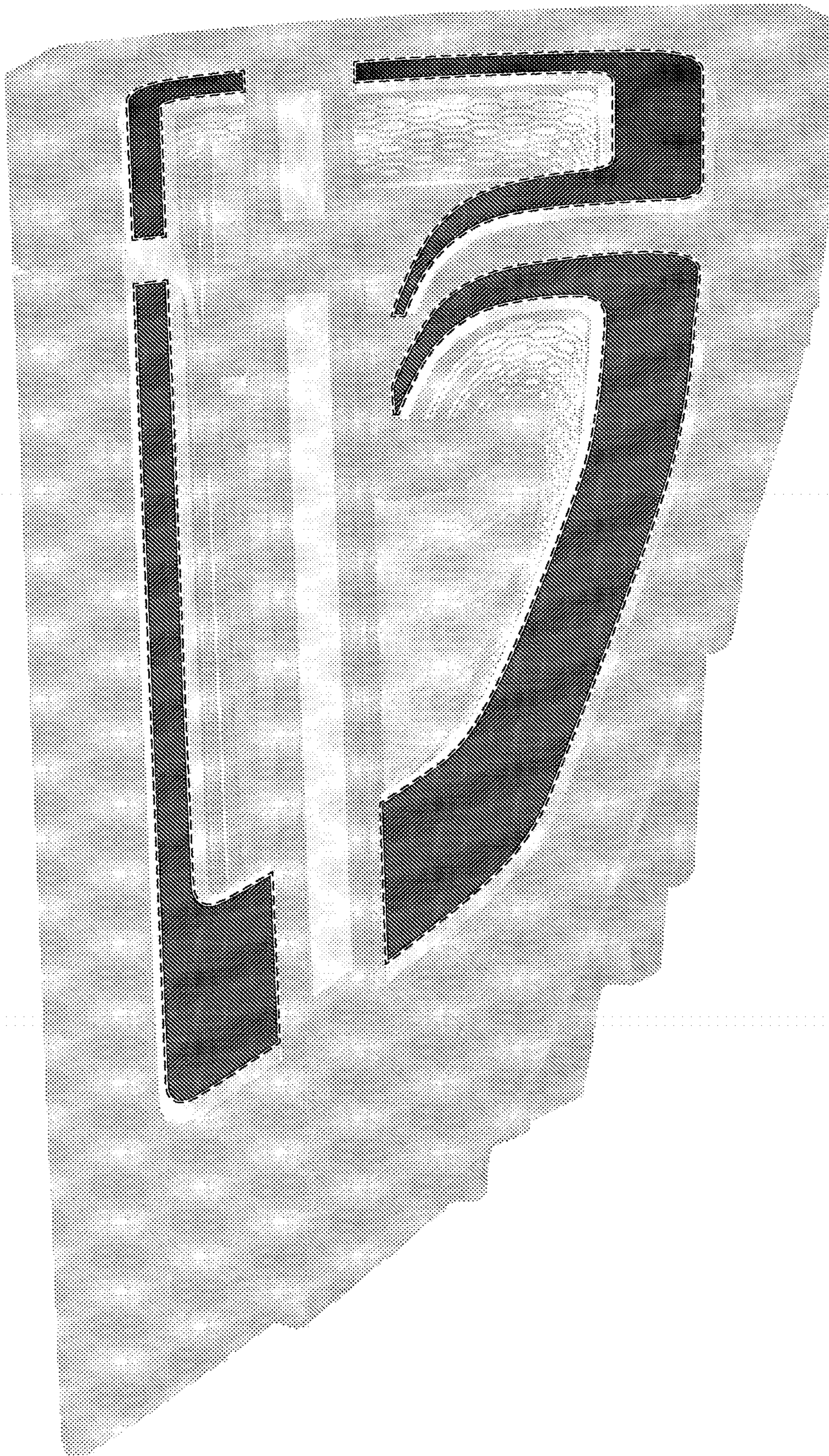


FIG. 3

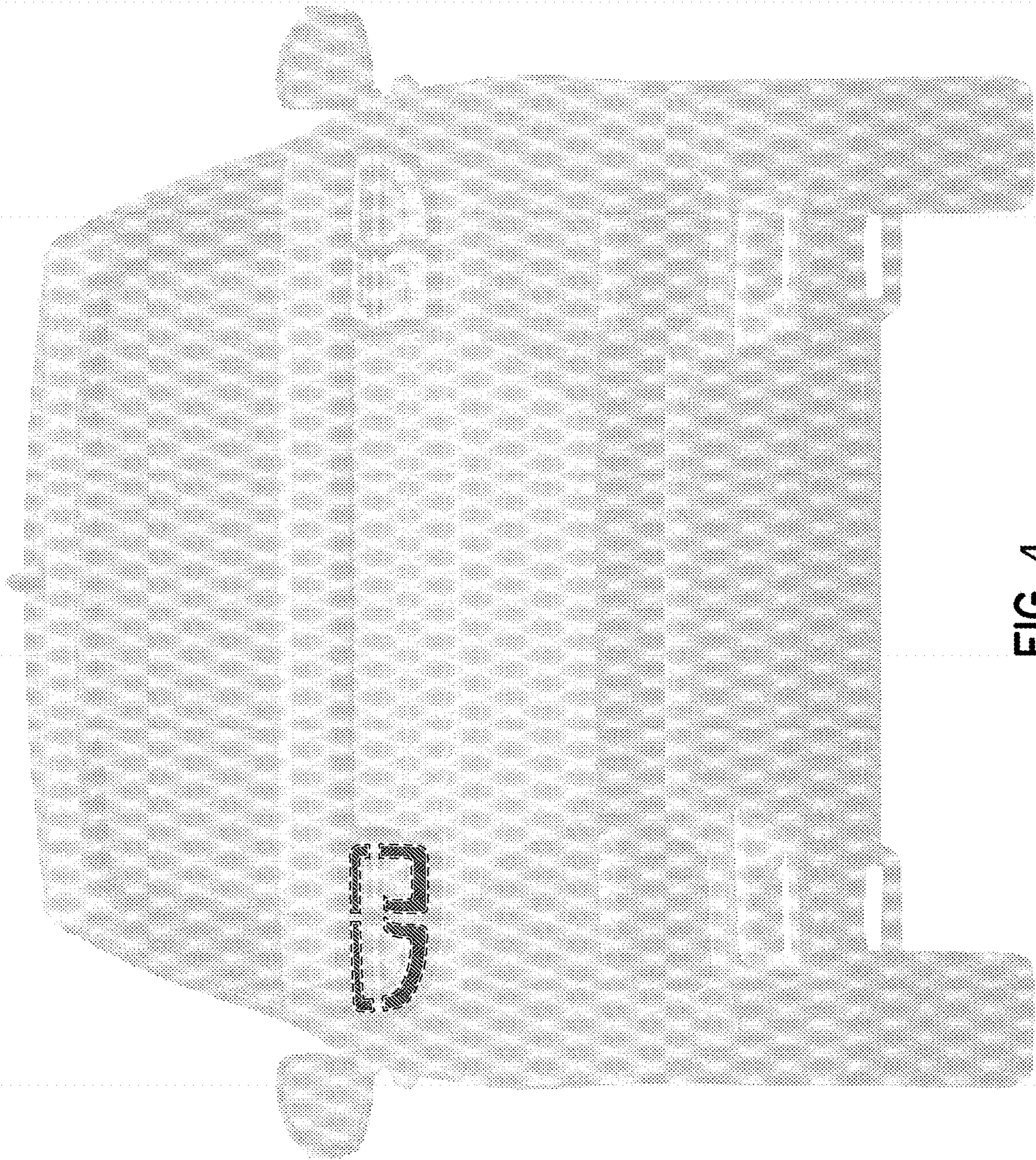


FIG. 4

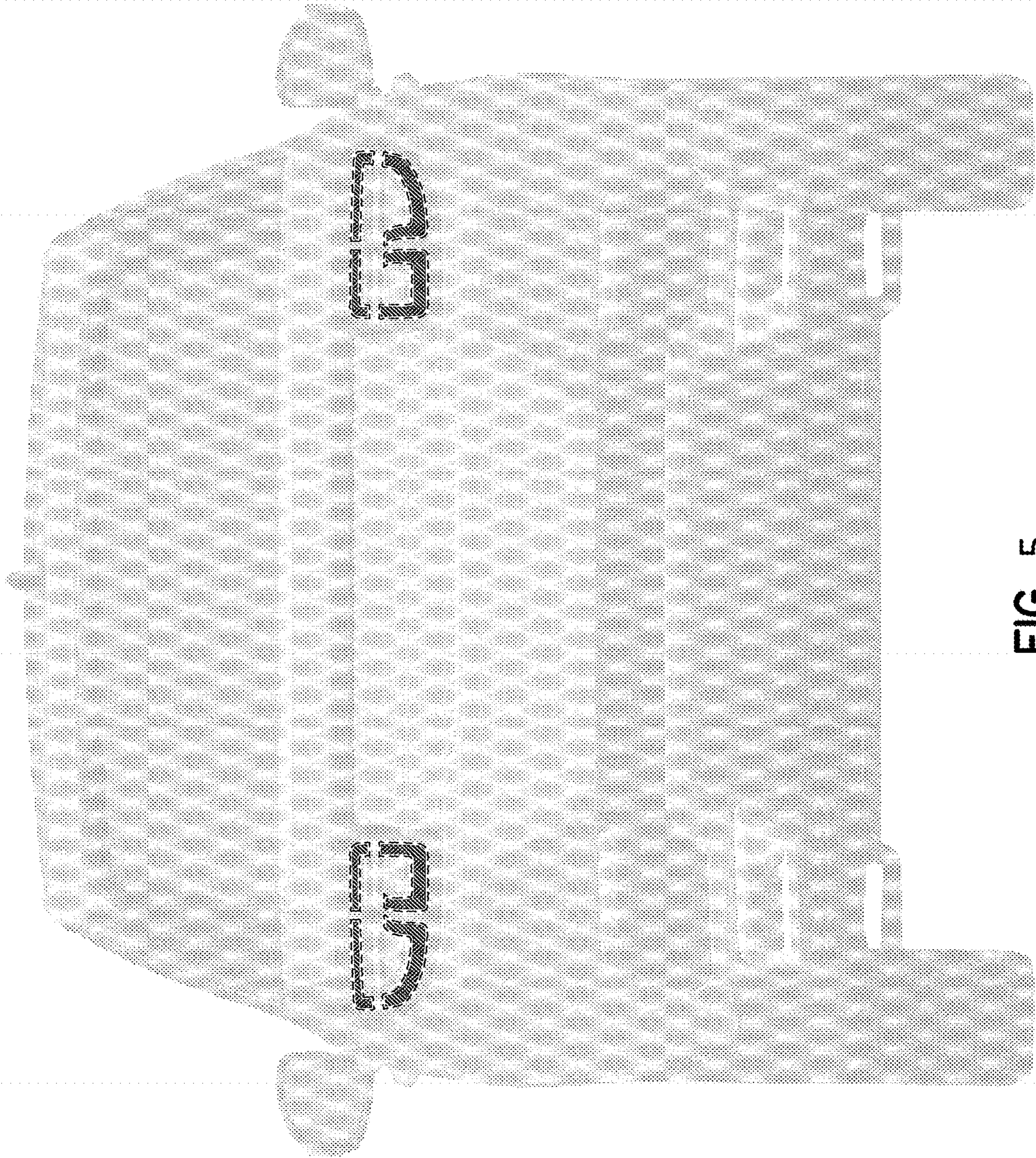


FIG. 5