



US00D927744S

(12) **United States Design Patent**
Chen

(10) **Patent No.:** **US D927,744 S**

(45) **Date of Patent:** **** Aug. 10, 2021**

(54) **HEAD LAMP**

(71) Applicant: **Top Warning Light Technology Co., Ltd.**, Tainan (TW)

(72) Inventor: **Kevin Cho Chen**, Tainan (TW)

(73) Assignee: **TOP WARNING LIGHT TECHNOLOGY CO., LTD.**, Tainan (TW)

(**) Term: **15 Years**

(21) Appl. No.: **29/731,796**

(22) Filed: **Apr. 17, 2020**

(30) **Foreign Application Priority Data**

Nov. 14, 2019 (TW) 108306988

(51) **LOC (13) Cl.** **26-06**

(52) **U.S. Cl.**
USPC **D26/28**

(58) **Field of Classification Search**
USPC D26/28-36, 139
CPC F21S 48/00; F21S 48/10; F21S 48/115;
F21S 48/225; F21S 48/1233; F21S 48/1266; F21S 48/1388; F21S 48/2268;
F21V 21/04; F21V 29/004; B60Q 9/13;
B60Q 9/135; B60Q 9/1375

See application file for complete search history.

(56) **References Cited**

U.S. PATENT DOCUMENTS

D710,042 S *	7/2014	Georgitsis	D26/28
D713,570 S *	9/2014	Yoshida	D26/28
D765,288 S *	8/2016	Ueda	D26/28
D769,490 S *	10/2016	Ma	D26/28
D772,446 S *	11/2016	Largent	D26/28
D777,961 S *	1/2017	Wu	D26/28
D841,205 S *	2/2019	Dai	D26/28
D846,775 S *	4/2019	Yan	D26/28

* cited by examiner

Primary Examiner — Marcus A Jackson

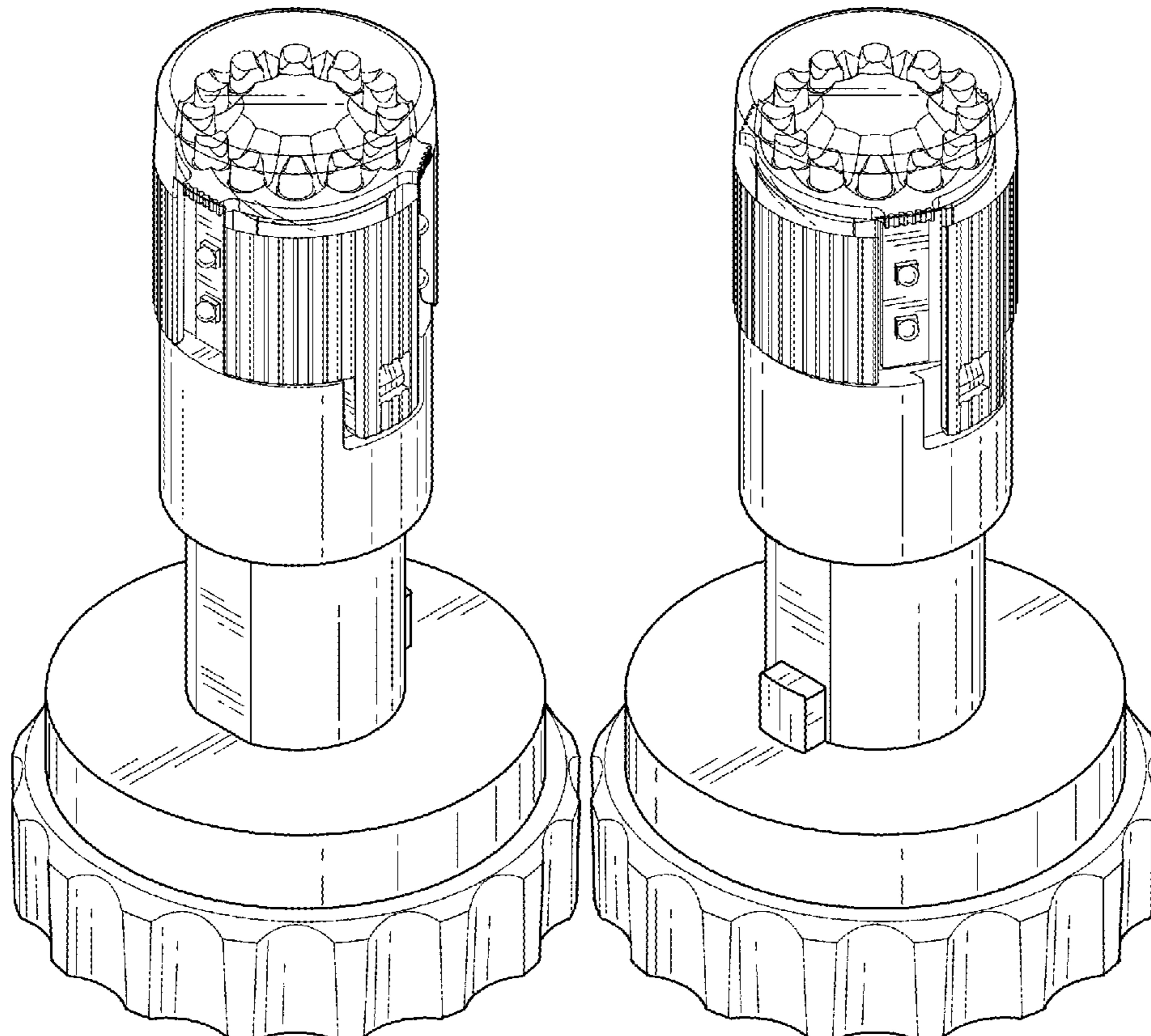
(57) **CLAIM**

The ornamental design for a head lamp, as shown and described.

DESCRIPTION

FIG. 1 is a front perspective view of a head lamp showing my new design;
FIG. 2 is a rear perspective view thereof;
FIG. 3 is a front elevational view thereof;
FIG. 4 is a rear elevational view thereof;
FIG. 5 is a left side elevational view thereof;
FIG. 6 is a right side elevational view thereof;
FIG. 7 is a top plan view thereof; and,
FIG. 8 is a bottom plan view thereof.

1 Claim, 7 Drawing Sheets



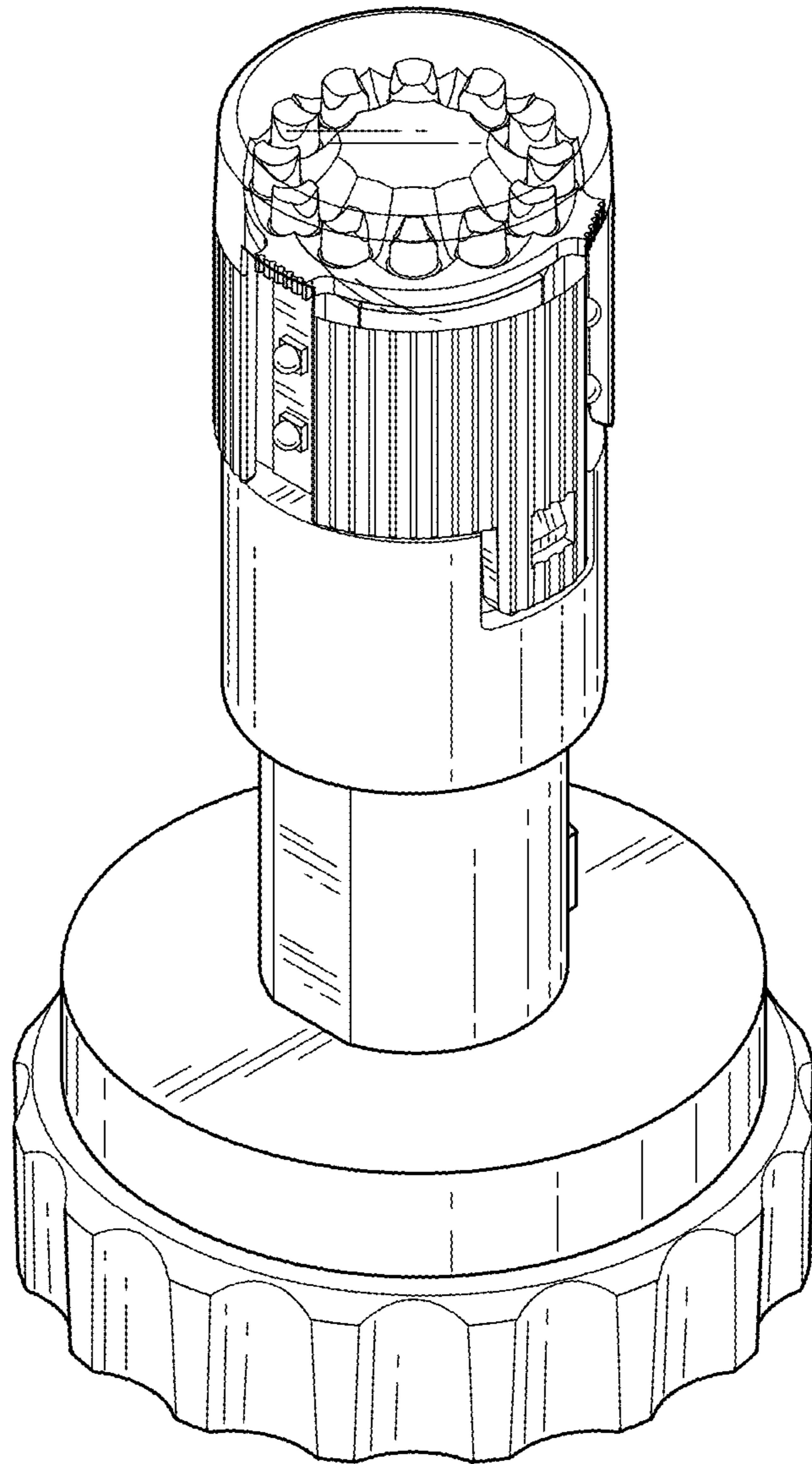


FIG.1

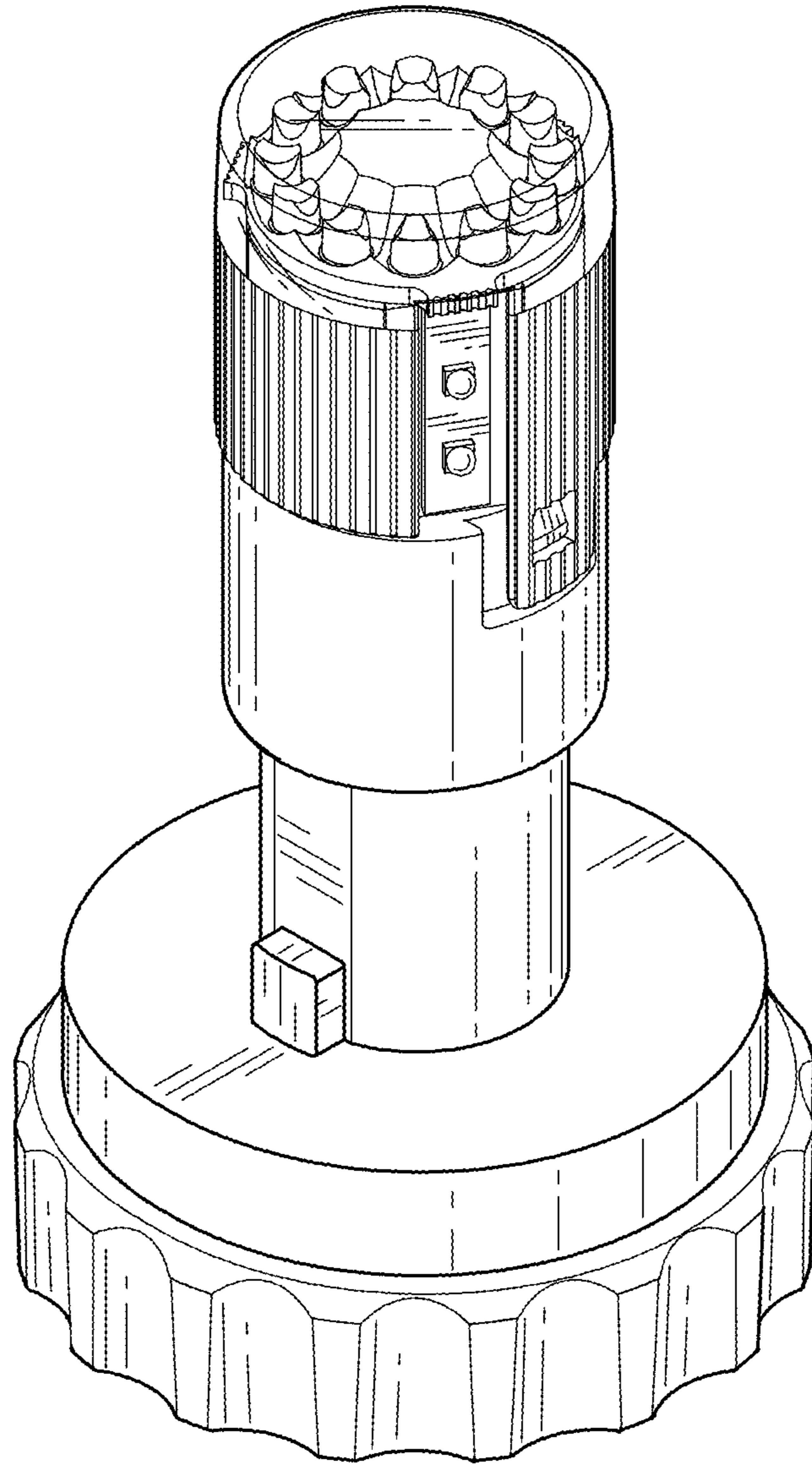


FIG.2

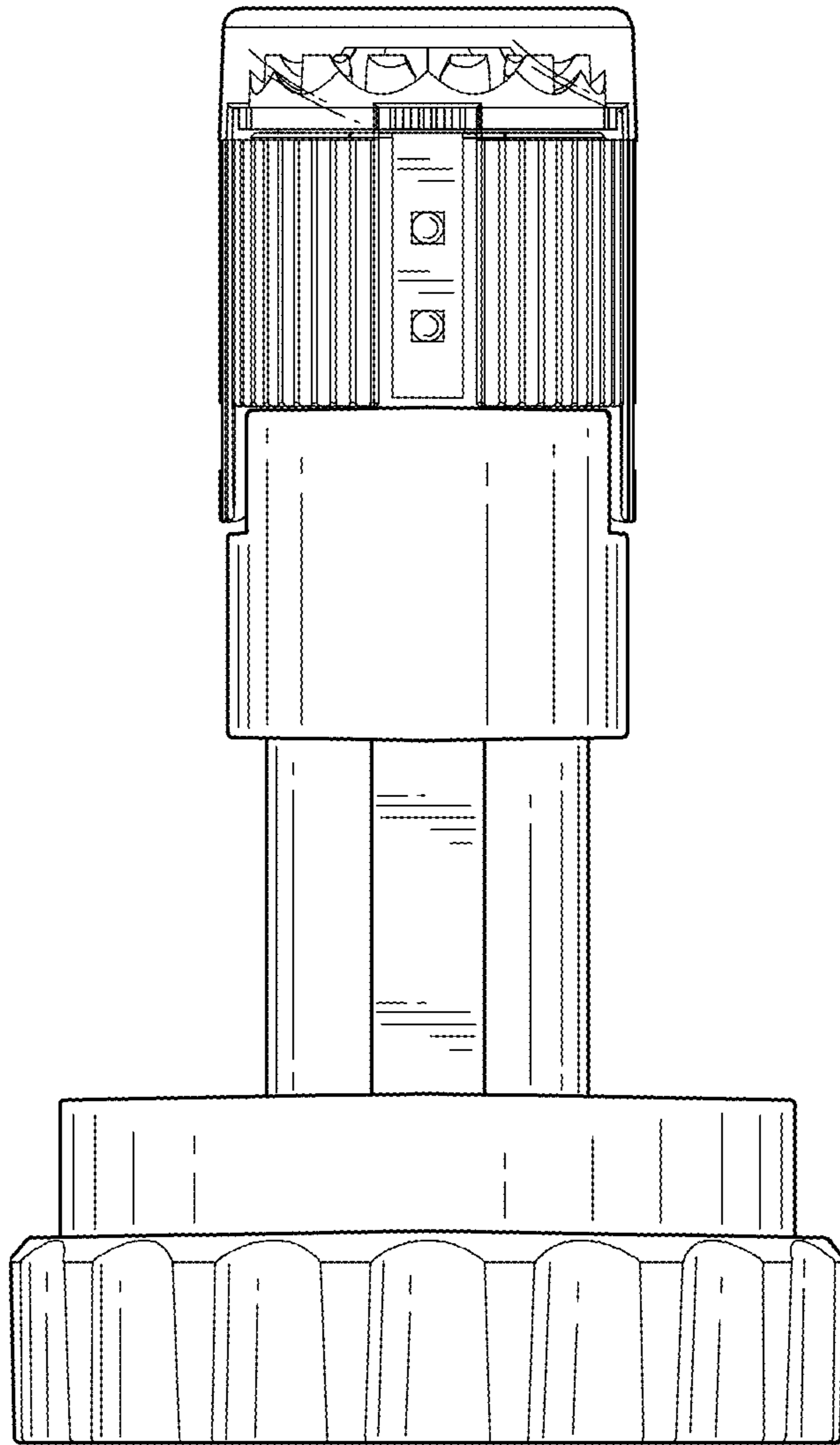


FIG.3

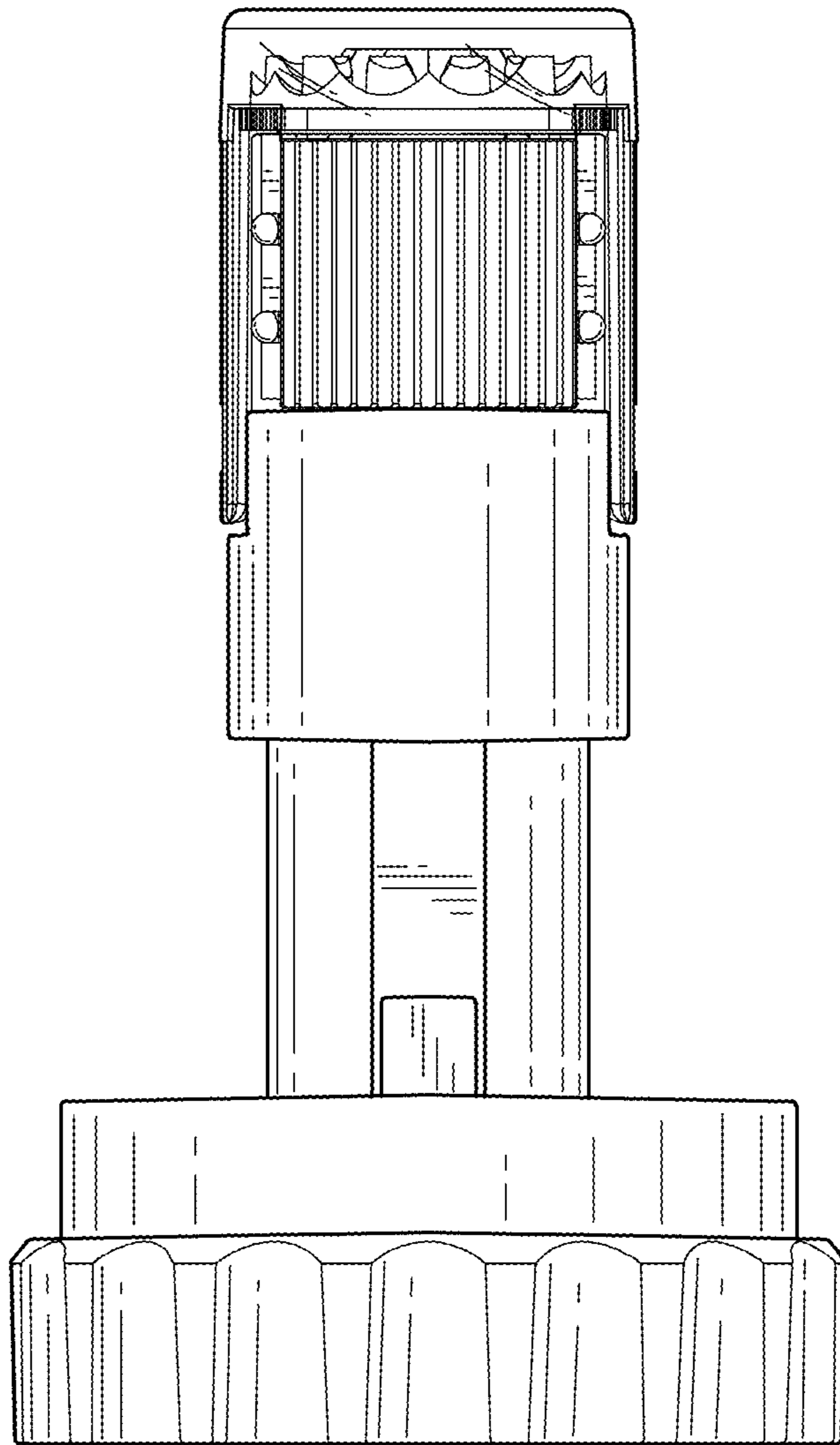


FIG.4

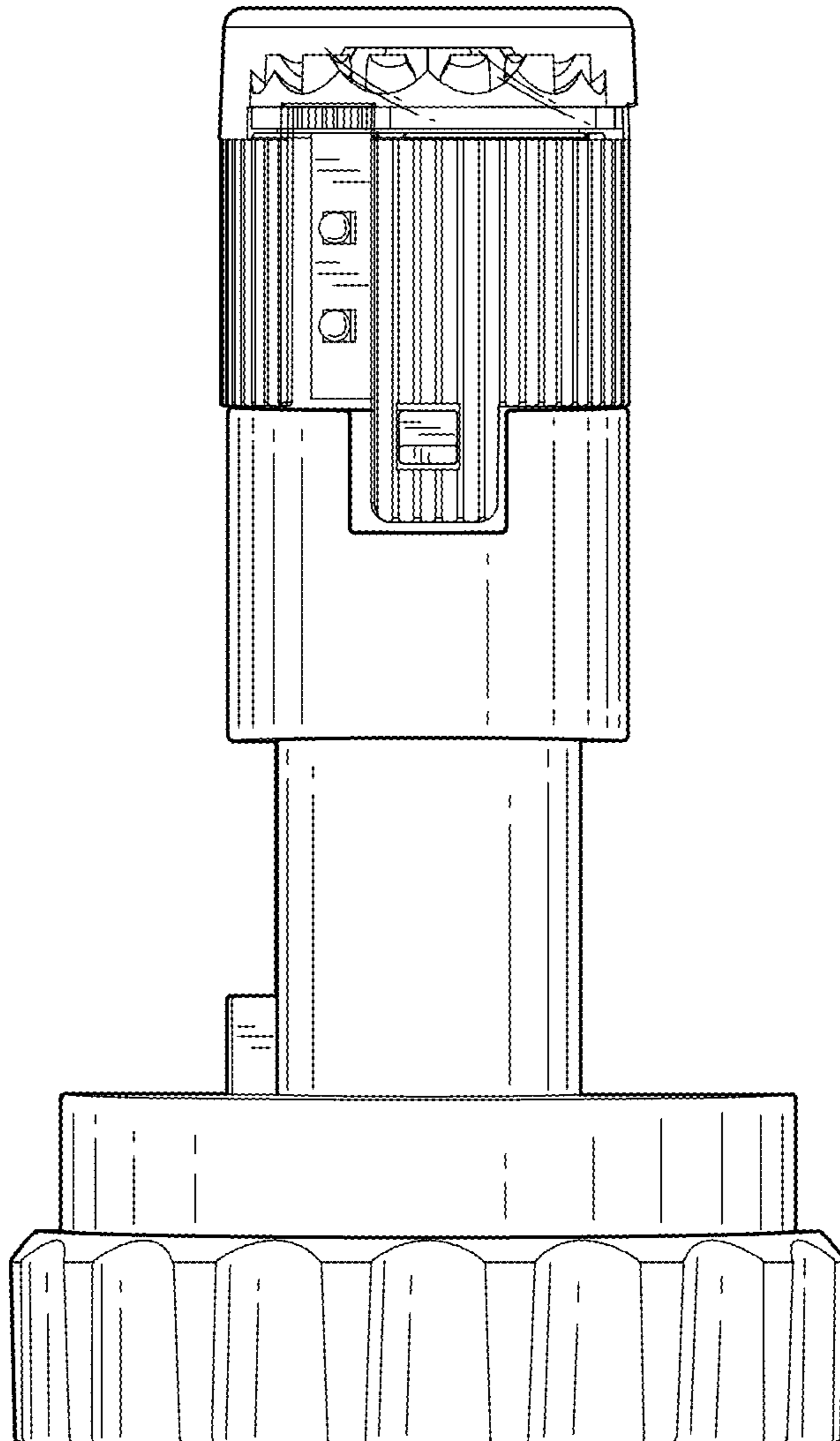


FIG.5

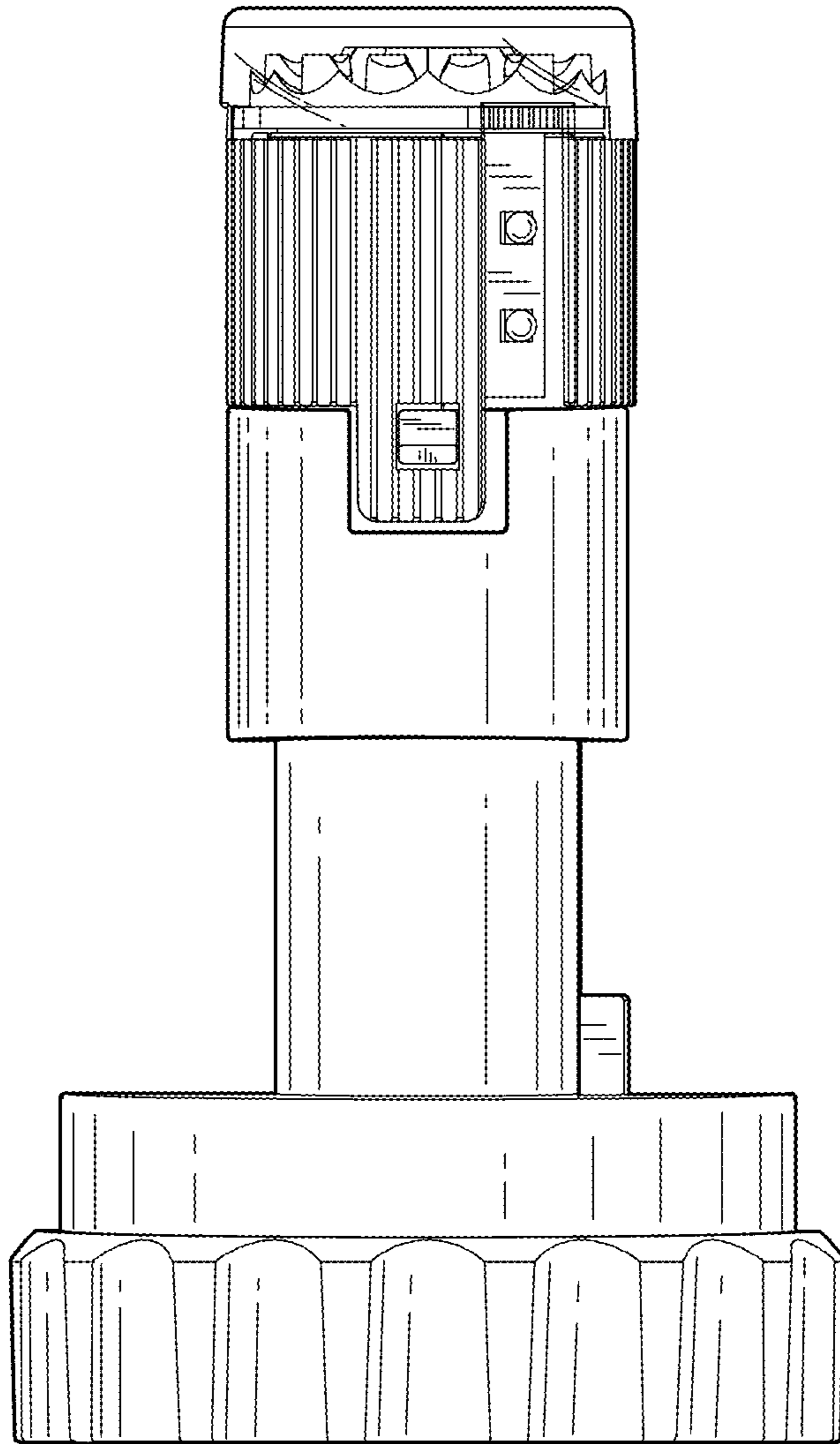


FIG. 6

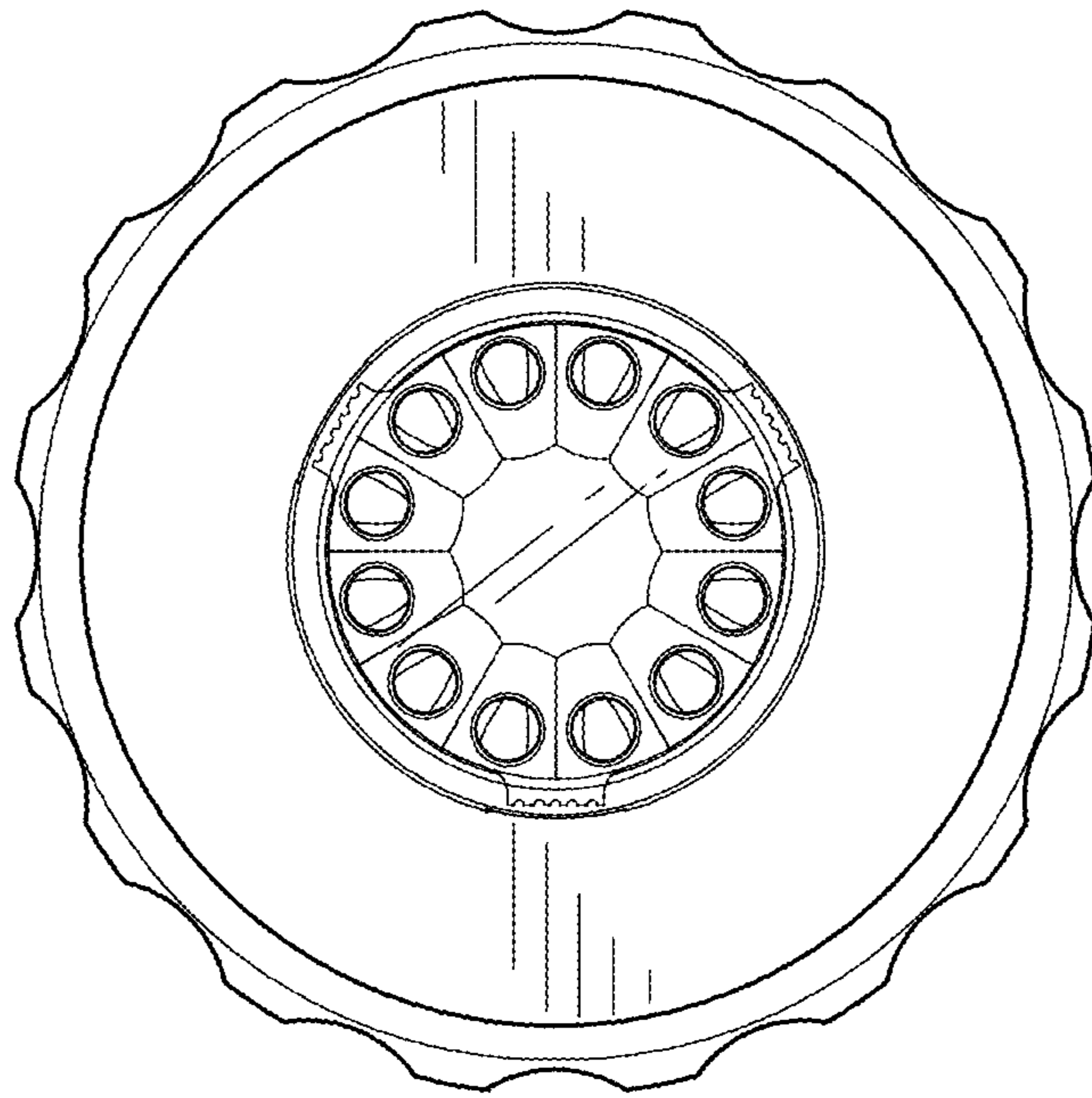


FIG. 7

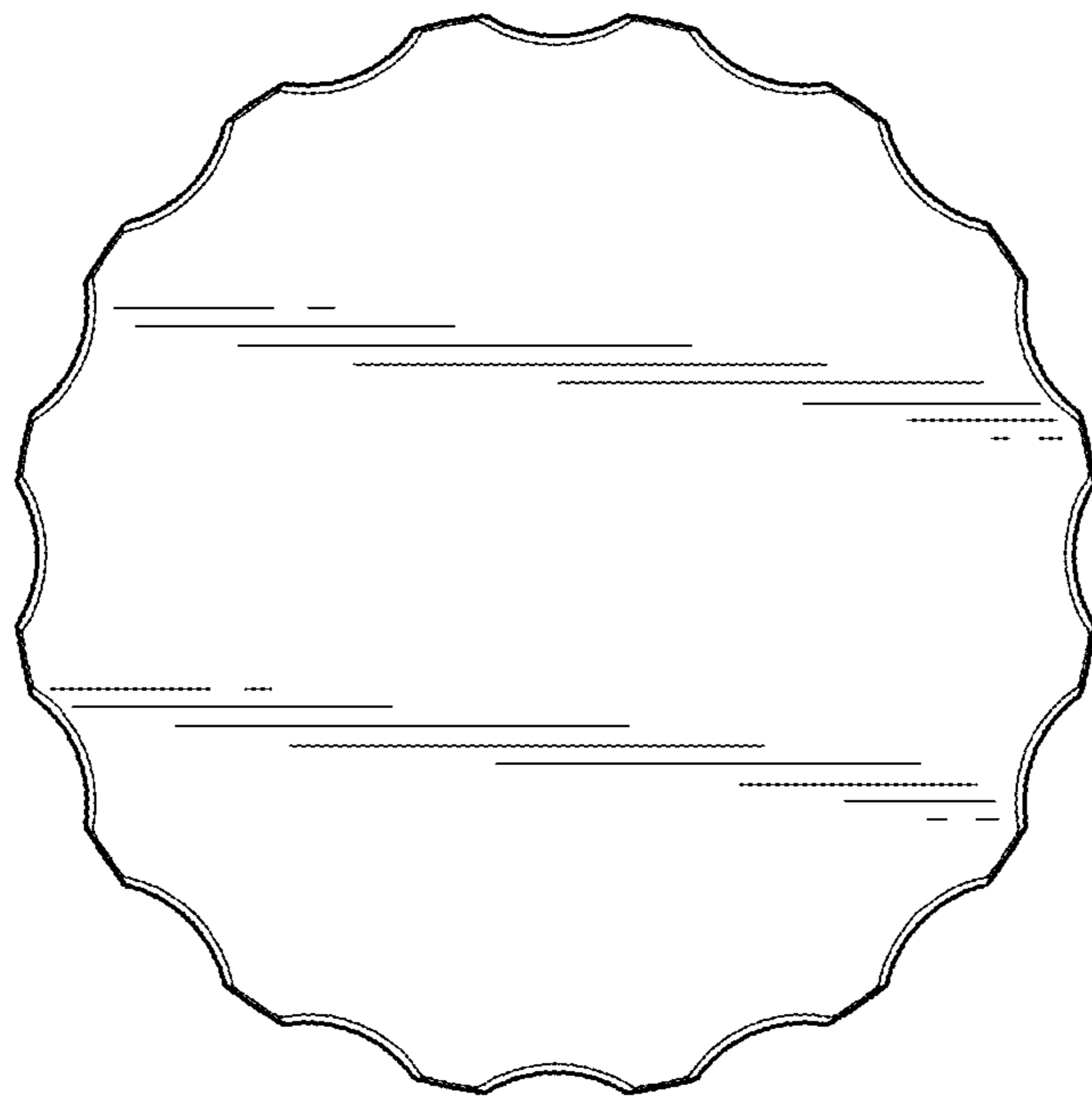


FIG. 8