



US00D927742S

(12) **United States Design Patent**
Yang

(10) **Patent No.:** **US D927,742 S**

(45) **Date of Patent:** **** Aug. 10, 2021**

(54) **LED LICENSE PLATE LIGHT HOUSING**

(71) Applicant: **Zijiang Yang**, Fontana, CA (US)

(72) Inventor: **Zijiang Yang**, Fontana, CA (US)

(**) Term: **15 Years**

(21) Appl. No.: **29/727,480**

(22) Filed: **Mar. 11, 2020**

(51) **LOC (13) Cl.** **26-06**

(52) **U.S. Cl.**
USPC **D26/28**

(58) **Field of Classification Search**
USPC D26/28, 29, 30, 31, 32, 33, 34, 35, 36,
D26/44

CPC F21S 48/00; F21S 48/10; F21S 48/115;
F21S 48/225; F21S 48/1233; F21S
48/1266; F21S 48/1388; F21S 48/2268;
F21V 21/04; F21W 2103/35; F21W 3/40;
F21W 2102/17; F21W 2102/30; F21W
2103/00; F21W 2103/55; F21W 2104/00;
F21W 2107/17; F21W 2107/13

See application file for complete search history.

(56) **References Cited**

U.S. PATENT DOCUMENTS

D585,149 S * 1/2009 Rogers D26/28
D620,159 S * 7/2010 Beigel D26/28
D640,181 S * 6/2011 Calvin D12/345

D699,375 S * 2/2014 Ueda D26/37
D709,212 S * 7/2014 Peltola D26/28
D740,469 S * 10/2015 Gipaya D26/28
D748,832 S * 2/2016 Huang D26/28
D764,084 S * 8/2016 Huntley D26/28
D775,382 S * 12/2016 Platto D26/28
D850,672 S * 6/2019 McGinley D26/28
D851,296 S * 6/2019 McGinley D26/28
D892,367 S * 8/2020 Ko D26/28
D912,861 S * 3/2021 Canepa D26/28

* cited by examiner

Primary Examiner — Angela J Lee

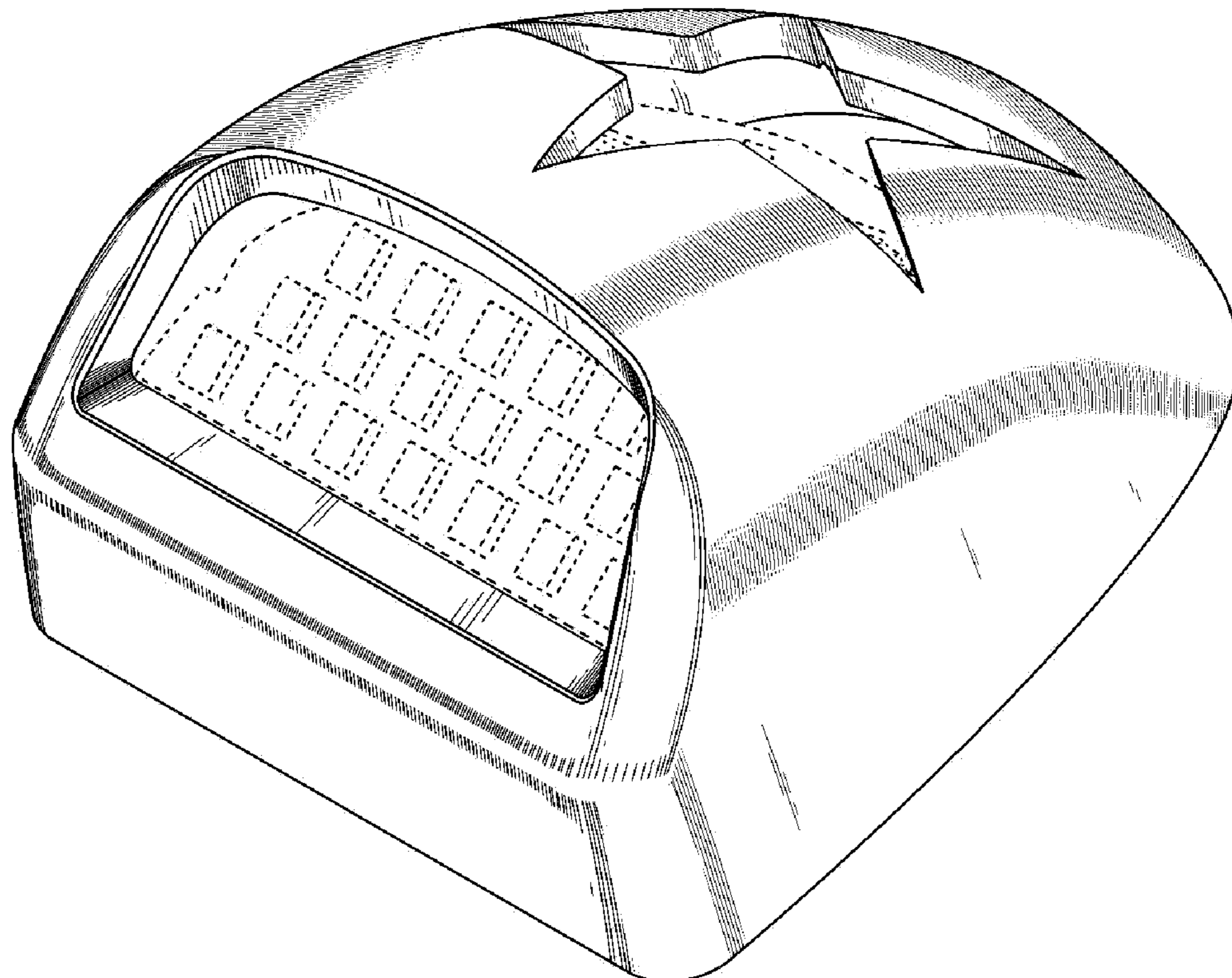
(57) **CLAIM**

I claim the ornamental design for a LED license plate light housing, as shown and described.

DESCRIPTION

FIG. 1 is a front isometric view of a LED license plate light housing showing my new design.
FIG. 2 is a rear isometric view thereof.
FIG. 3 is a front elevation view thereof.
FIG. 4 is a rear elevation view thereof.
FIG. 5 is a side elevation view thereof, with the opposite side being identical to that shown.
FIG. 6 is a top plan view thereof; and,
FIG. 7 is a bottom plan view thereof.
The broken lines are for environmental purposes only and form no part of the claimed design.
The claimed LED license plate light housing is characterized by the star-shaped cut on the top portion of the design.

1 Claim, 5 Drawing Sheets



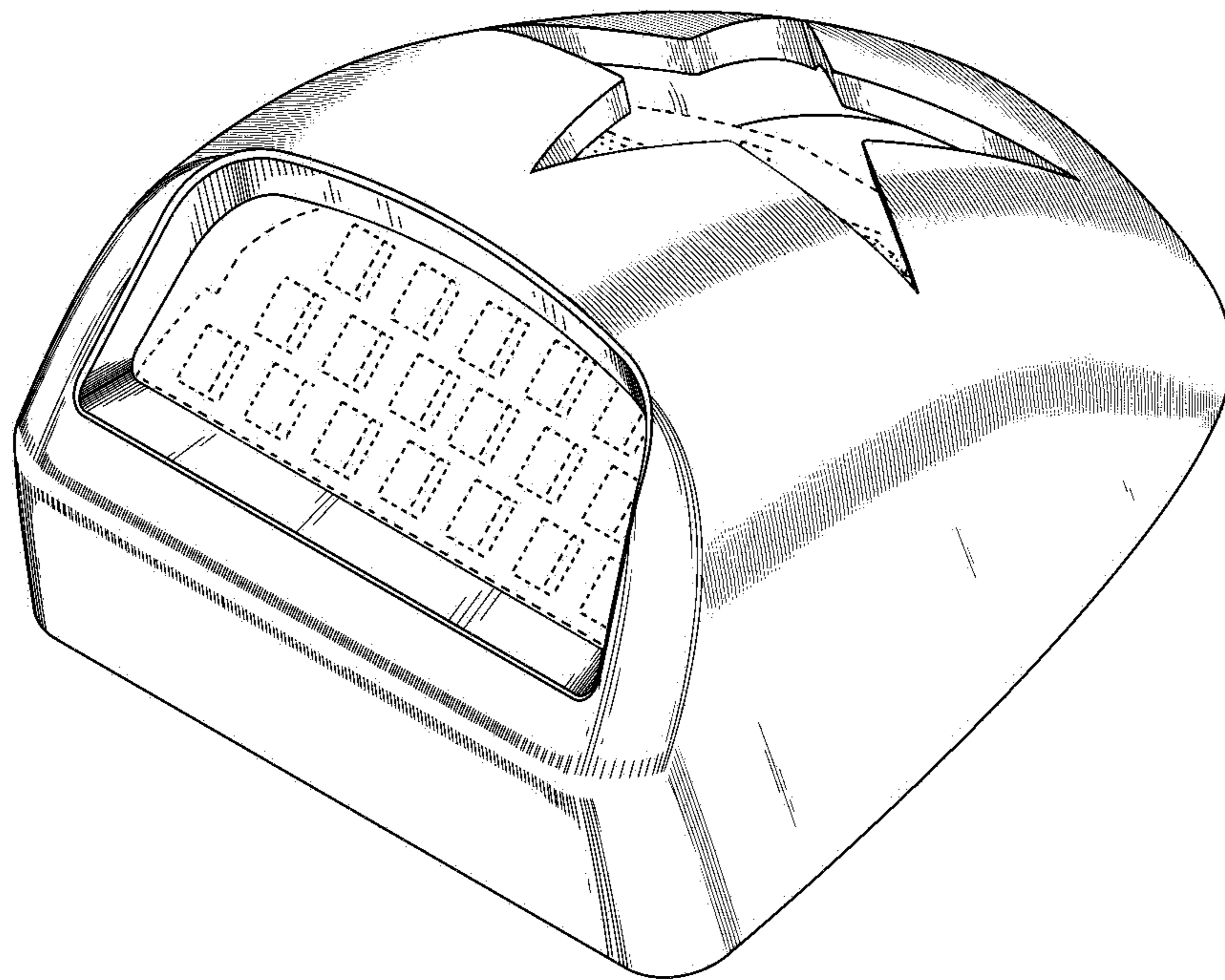


Fig. 1

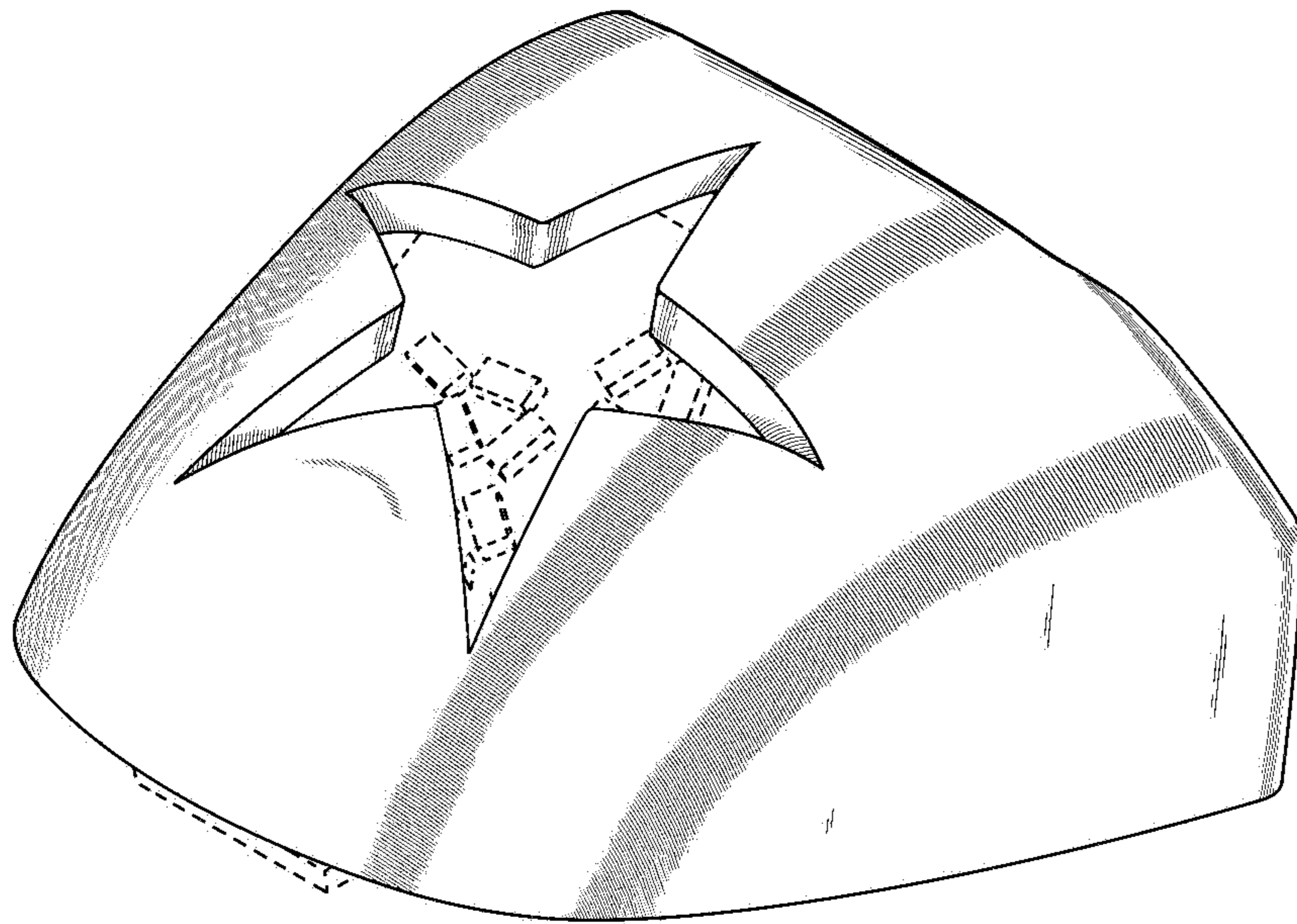


Fig. 2

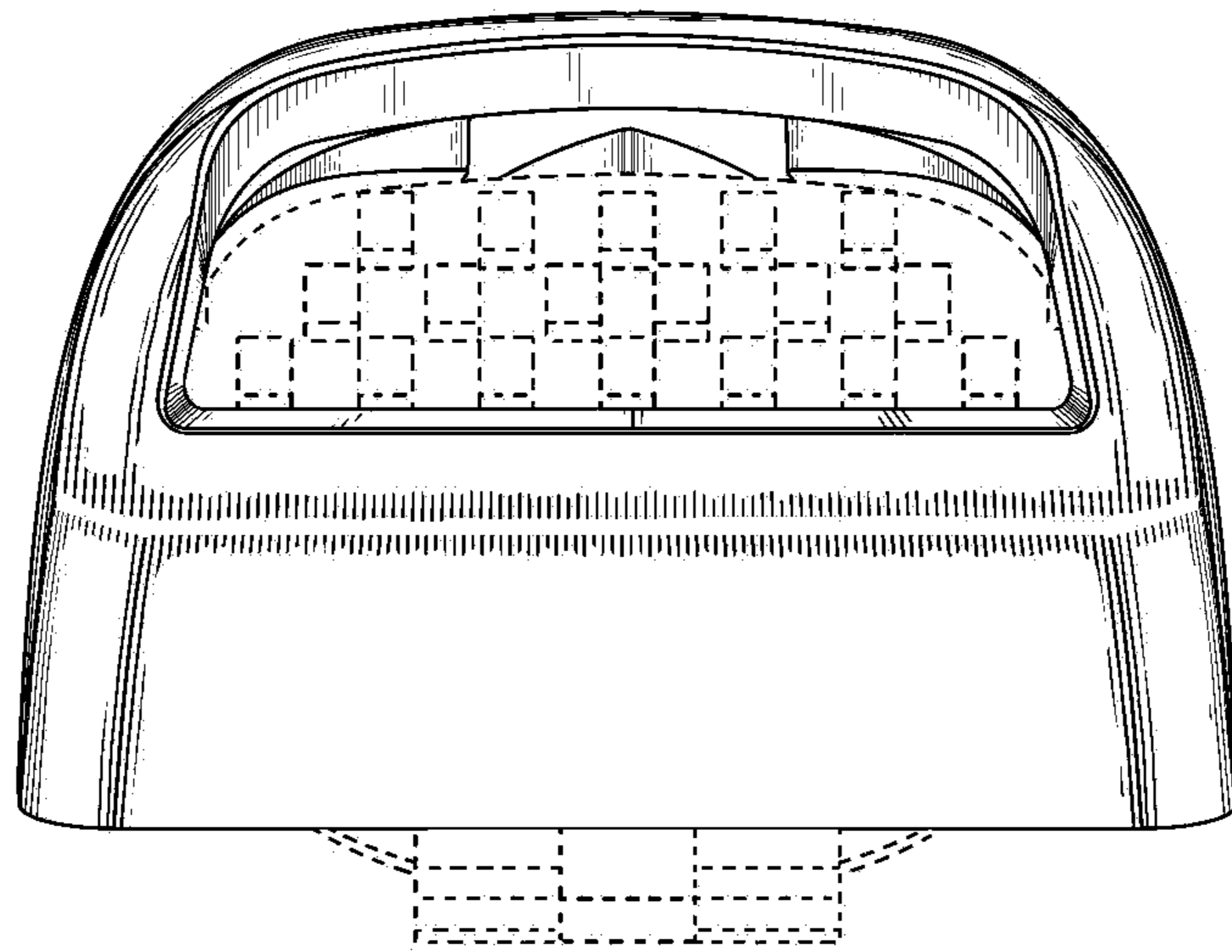


Fig. 3

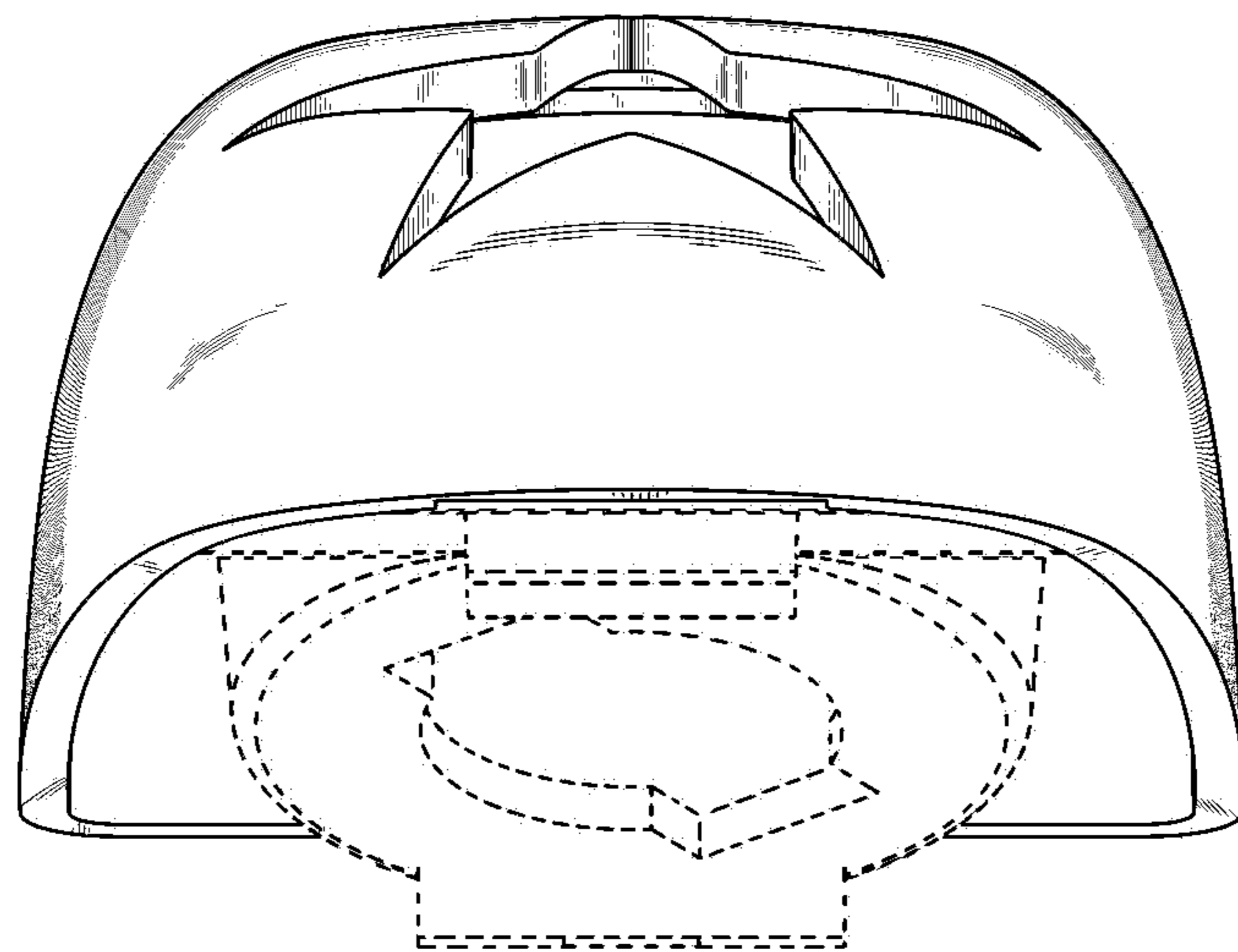


Fig. 4

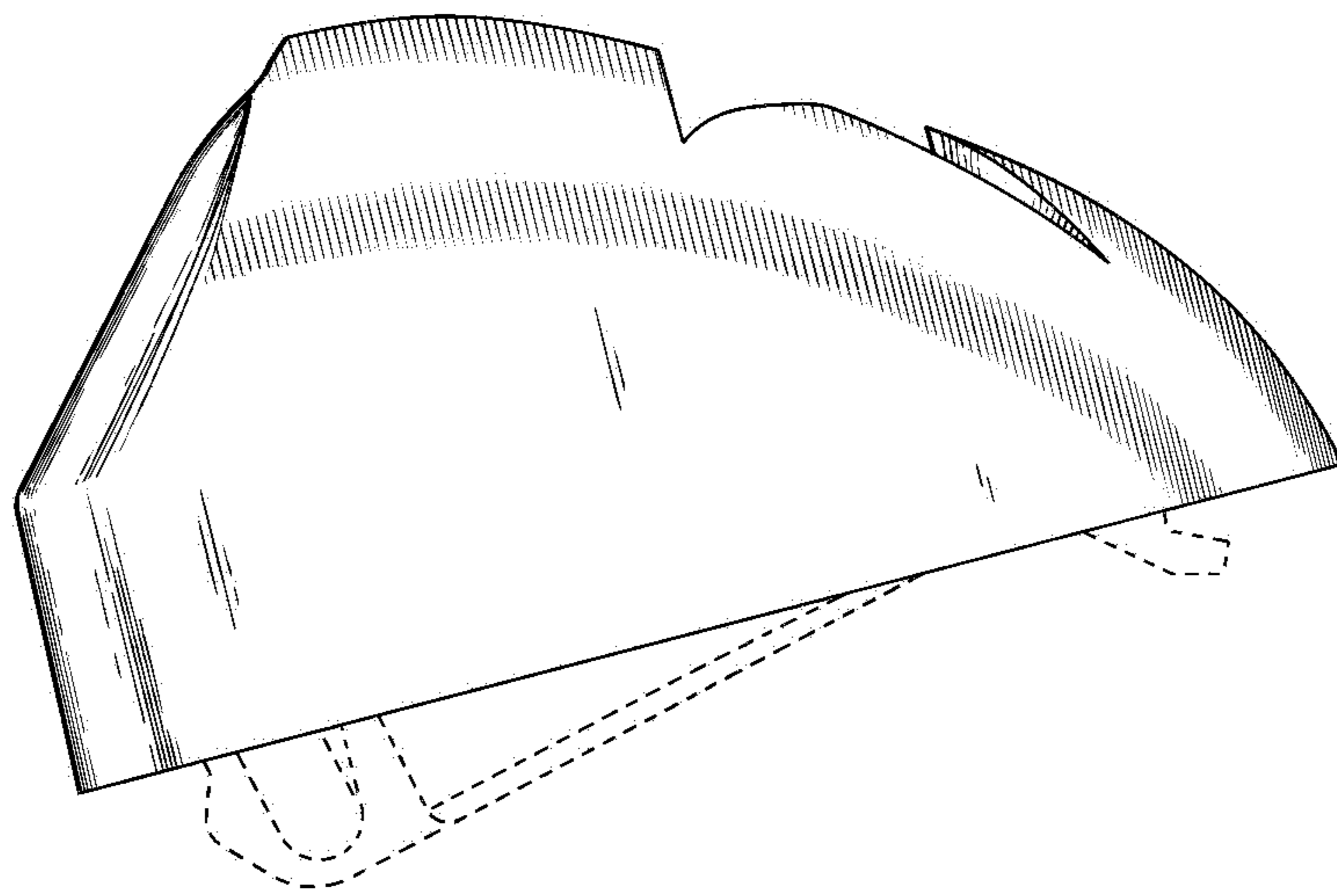


Fig. 5

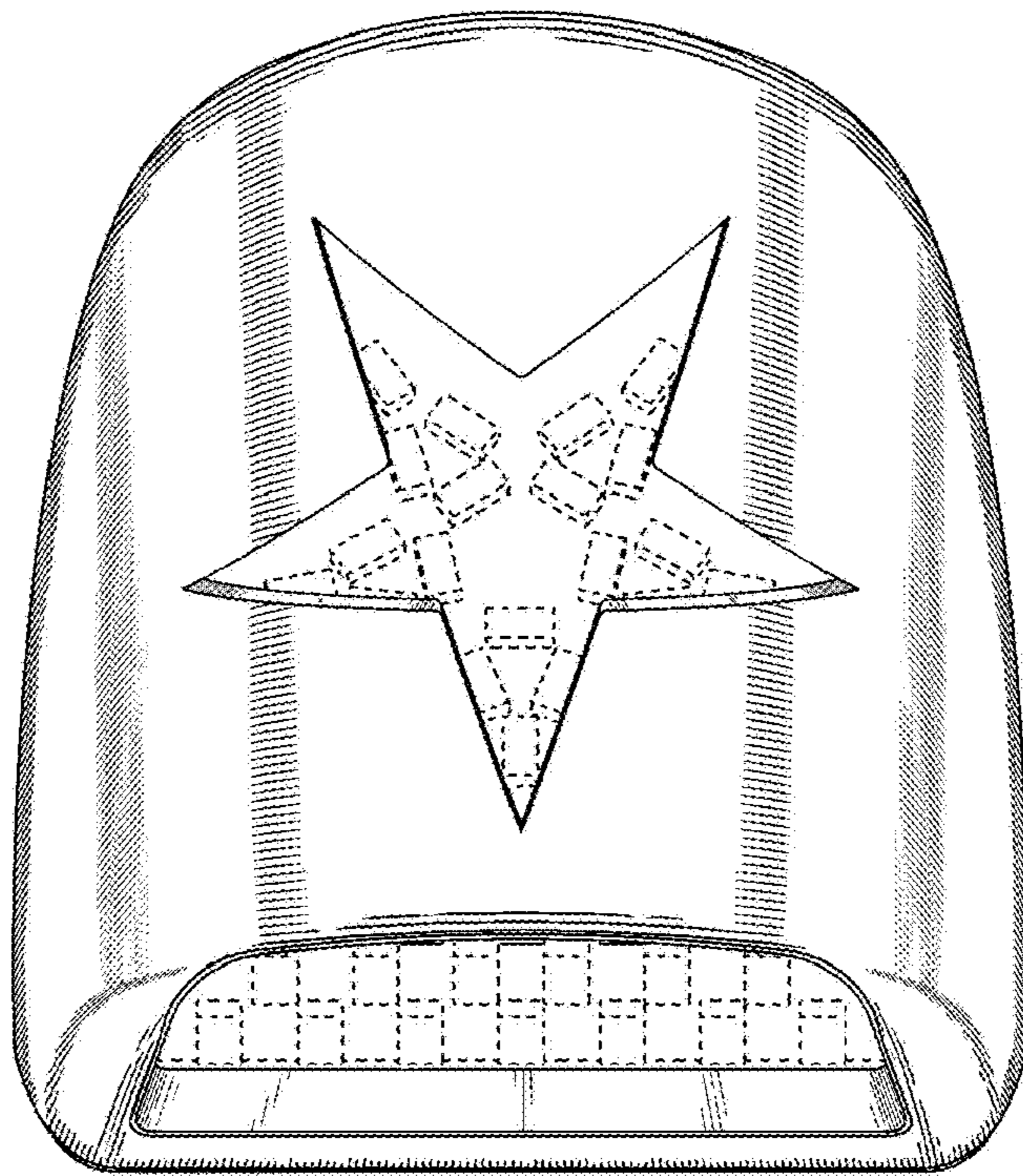


Fig. 6

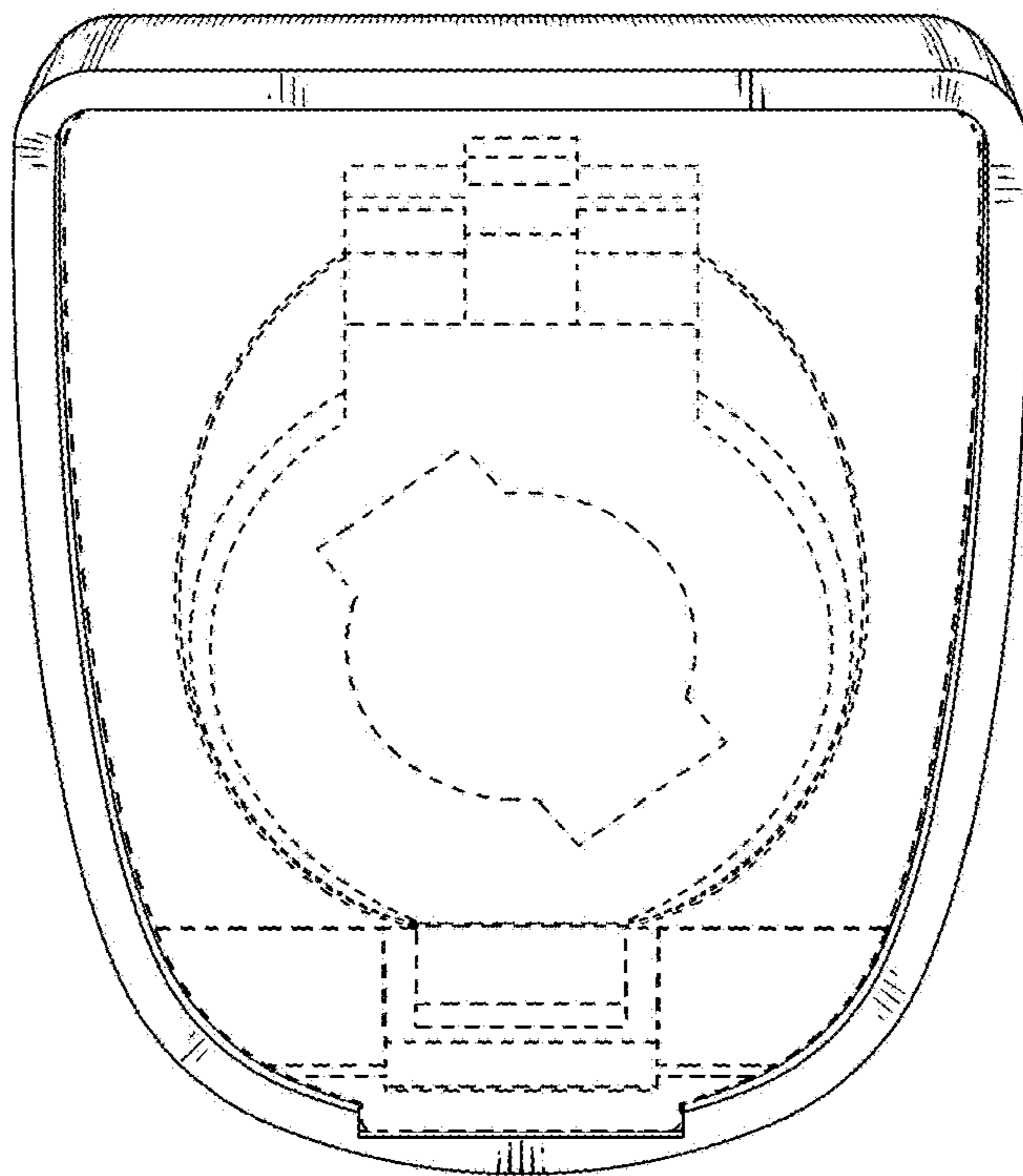


Fig. 7