



US00D927739S

(12) **United States Design Patent** (10) **Patent No.:** **US D927,739 S**
Chaney et al. (45) **Date of Patent:** **** Aug. 10, 2021**

(54) **MARKER LIGHT**
(71) Applicant: **PACCAR Inc**, Bellevue, WA (US)
(72) Inventors: **Brian Chaney**, Seattle, WA (US); **Ken Johnson**, Bothell, WA (US); **Erik Nickerson**, Kent, WA (US); **Steven H. Hovind**, Renton, WA (US); **Jonathan Scott Duncan**, Seattle, WA (US)
(73) Assignee: **PACCAR Inc**, Bellevue, WA (US)
(**) Term: **15 Years**
(21) Appl. No.: **29/723,454**
(22) Filed: **Feb. 6, 2020**
(51) **LOC (13) Cl.** **26-06**
(52) **U.S. Cl.**
USPC **D26/28**
(58) **Field of Classification Search**
USPC D26/28, 29, 30, 31, 32, 33, 34, 35, 36, D26/44
CPC F21S 48/00; F21S 48/10; F21S 48/115; F21S 48/225; F21S 48/1233; F21S 48/1266; F21S 48/1388; F21S 48/2268; F21V 21/04; F21W 2103/35; F21W 3/40; F21W 2102/17; F21W 2102/30; F21W 2103/00; F21W 2103/55; F21W 2104/00; F21W 2107/17; F21W 2107/13
See application file for complete search history.

D578,233 S * 10/2008 Chang D26/28
D585,149 S * 1/2009 Rogers D26/28
D640,181 S * 6/2011 Calvin D12/345
D709,212 S 7/2014 Peltola et al.
D764,084 S * 8/2016 Huntley D26/28
D775,382 S * 12/2016 Platto D26/28

OTHER PUBLICATIONS

“T800,” Kenworth Truck Company, 2002, 32-page brochure.
“T800,” Kenworth Truck Company, 2003, 32-page brochure.
“T800,” Kenworth Truck Company, 2005, 28-page brochure.
“T800,” Kenworth Truck Company, 2009, 28-page brochure.
“T800B,” Kenworth Truck Company, 1993, 8-page brochure.
Peterbilt Motors Company, “The Working Class,” Sep. 1976, 6-page brochure.

(Continued)

Primary Examiner — Angela J Lee
(74) *Attorney, Agent, or Firm* — Seed IP Law Group LLP

(57) **CLAIM**

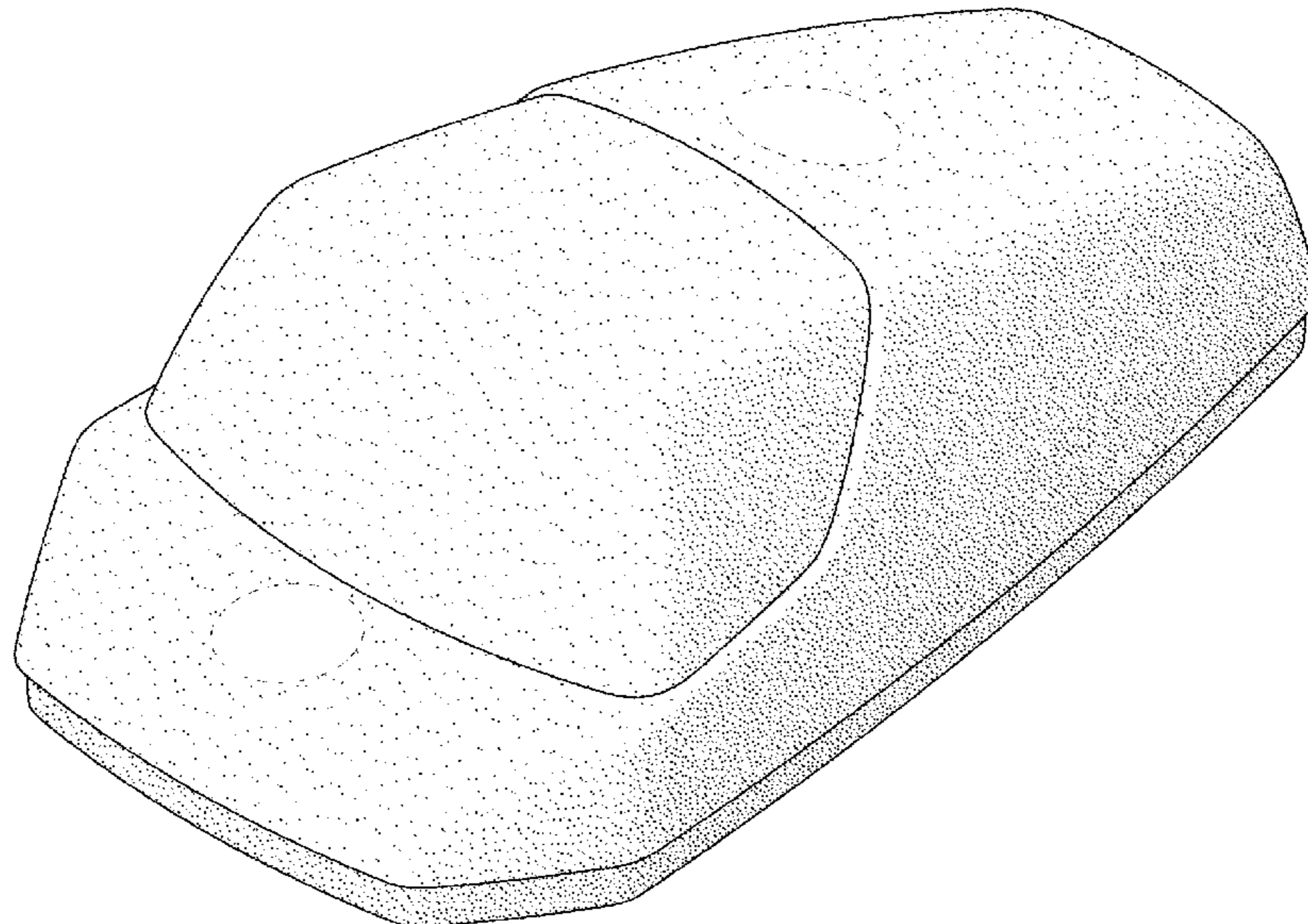
The ornamental design for a marker light, as shown and described.

DESCRIPTION

FIG. 1 is an isometric view of a marker light, showing our new design.
FIG. 2 is a front elevational view thereof.
FIG. 3 is a rear elevational view thereof.
FIG. 4 is a right side elevational view thereof.
FIG. 5 is a left side elevational view thereof.
FIG. 6 is a top plan view thereof; and,
FIG. 7 is a bottom plan view thereof.
Stippling in the drawings represents the three-dimensional contours of the design, and is not intended to indicate surface decoration. The broken lines shown in the drawings depict portions of the marker light that form no part of the claimed design.

1 Claim, 5 Drawing Sheets

(56) **References Cited**
U.S. PATENT DOCUMENTS
D334,073 S * 3/1993 Wishoff D26/28
D367,331 S * 2/1996 Reniger D26/28
D411,635 S * 6/1999 Phlipot D26/28
D424,723 S 5/2000 Hall et al.
D493,551 S * 7/2004 Begin D26/28
D518,205 S * 3/2006 Phillips D26/28
D549,364 S * 8/2007 Hovind D26/28



(56)

References Cited

OTHER PUBLICATIONS

“The World’s Best,” Kenworth Truck Company, 1992, 12-page brochure.

“W900,” Kenworth Truck Company, 1996, 7-page brochure.

“W900,” Kenworth Truck Company, 2002, 32-page brochure.

“W900,” Kenworth Truck Company, 2005, 28-page brochure.

“W900,” Kenworth Truck Company, 2009, 28-page brochure.

Kenworth Truck Company, “W900L AeroCab,” 1994, 2-page brochure.

Kenworth Truck Company, “AeroCab,” 1993, 5-page brochure.

“AeroCab,” Kenworth Truck Company, as early as 1995, 3-page brochure.

“C500B,” Kenworth Truck Company, as early as 1990, 4-page brochure.

Peterbilt Motors Company, “Class Pays, Medium Duty,” Sep. 2000, 12-page brochure.

“Class Pays, Truck Models,” Peterbilt Motors Company, Mar. 2005, 24-page brochure.

“Class Pays,” Peterbilt Motors Company, Nov. 1998, 10-page brochure.

Peterbilt Motors Company, “Class Pays,” Sep. 1997, 10-page brochure.

“Class Pays, Construction Trucks,” Peterbilt Motors Company, Nov. 2003, 16-page brochure.

“Kenworth Truck Models,” Kenworth Truck Company, 2010, 16-page brochure.

Peterbilt Motors Company, “Model 330,” Oct. 1997, 3-page brochure.

Peterbilt Motors Company, “Model 379,” Apr. 2005, 2-page brochure.

Peterbilt Motors Company, “Model 379,” Mar. 1996, 5-page brochure.

Peterbilt Motors Company, “Rest with Class,” Apr. 1978, 4-page brochure.

“T170 Class 5,” Kenworth Truck Company, 2008, 4-page brochure.

“T270 Class 6 and T370 Class 7,” Kenworth Truck Company, 2008, 6-page brochure.

“T270 Class 6 and T370 Class 7,” Kenworth Truck Company, 2009, 6-page brochure.

“T270 Class 6 and T370 Class 7 Hybrid,” Kenworth Truck Company, 2009, 6-page brochure.

“T680,” Kenworth Truck Company, 2013, 34-page brochure.

“T680,” Kenworth Truck Company, 2016, 34-page brochure.

“T880,” Kenworth Truck Company, 2017, 32-page brochure.

“Model 579,” Peterbilt Motors Company, Oct. 2013, 13-page brochure.

“Medium Duty,” Peterbilt Motors Company, 2013, 9-page brochure.

“On-Highway,” Peterbilt Motors Company, 2013, 13-page brochure.

“Vocational,” Peterbilt Motors Company, 2013, 11-page brochure.

“T440,” Kenworth Truck Company, 2010, 6-page brochure.

“T470,” Kenworth Truck Company, 2010, 6-page brochure.

“T470H,” Kenworth Truck Company, 2009, 2-page brochure.

“Model 220,” Peterbilt Motors Company, 2019, 2-page brochure.

“220EV,” Peterbilt Motors Company, 2020, 5-page brochure.

“Model 337,” Peterbilt Motors Company, 2020, 2-page brochure.

“Model 389,” Peterbilt Motors Company, 2019, 2-page brochure.

“Model 348,” Peterbilt Motors Company, 2019, 2-page brochure.

“Model 520,” Peterbilt Motors Company, 2019, 2-page brochure.

“Model 567,” Peterbilt Motors Company, 2020, 16-page brochure.

“567 Heritage,” Peterbilt Motors Company, 2017, 2-page brochure.

“Model 579,” Peterbilt Motors Company, 2019, 28-page brochure.

“C500,” Kenworth Truck Company, 2012, 2-page brochure.

“T680,” Kenworth Truck Company, 2019, 40-page brochure.

“T800,” Kenworth Truck Company, 2012, 28-page brochure.

“T440/T470,” Kenworth Truck Company, 2015, 8-page brochure.

“K270E/K370E,” Kenworth Truck Company, 2020, 4-page brochure.

“T170/T270/T370,” Kenworth Truck Company, 2019, 16-page brochure.

“K270/K370,” Kenworth Truck Company, 2014, 12-page brochure.

“W990,” Kenworth Truck Company, 2018, 32-page brochure.

“T880,” Kenworth Truck Company, 2019, 36-page brochure.

“Model 367,” Peterbilt Motors Company, <https://www.peterbilt.com/trucks/vocational/model-367>, retrieved Nov. 20, 2020, 12 pages.

“Model 365,” Peterbilt Motors Company, <https://www.peterbilt.com/trucks/vocational/model-365>, retrieved Nov. 20, 2020, 11 pages.

“Model 325,” Peterbilt Motors Company, <https://www.peterbilt.com/trucks/medium-duty/model-325>, retrieved Nov. 20, 2020, 12 pages.

* cited by examiner

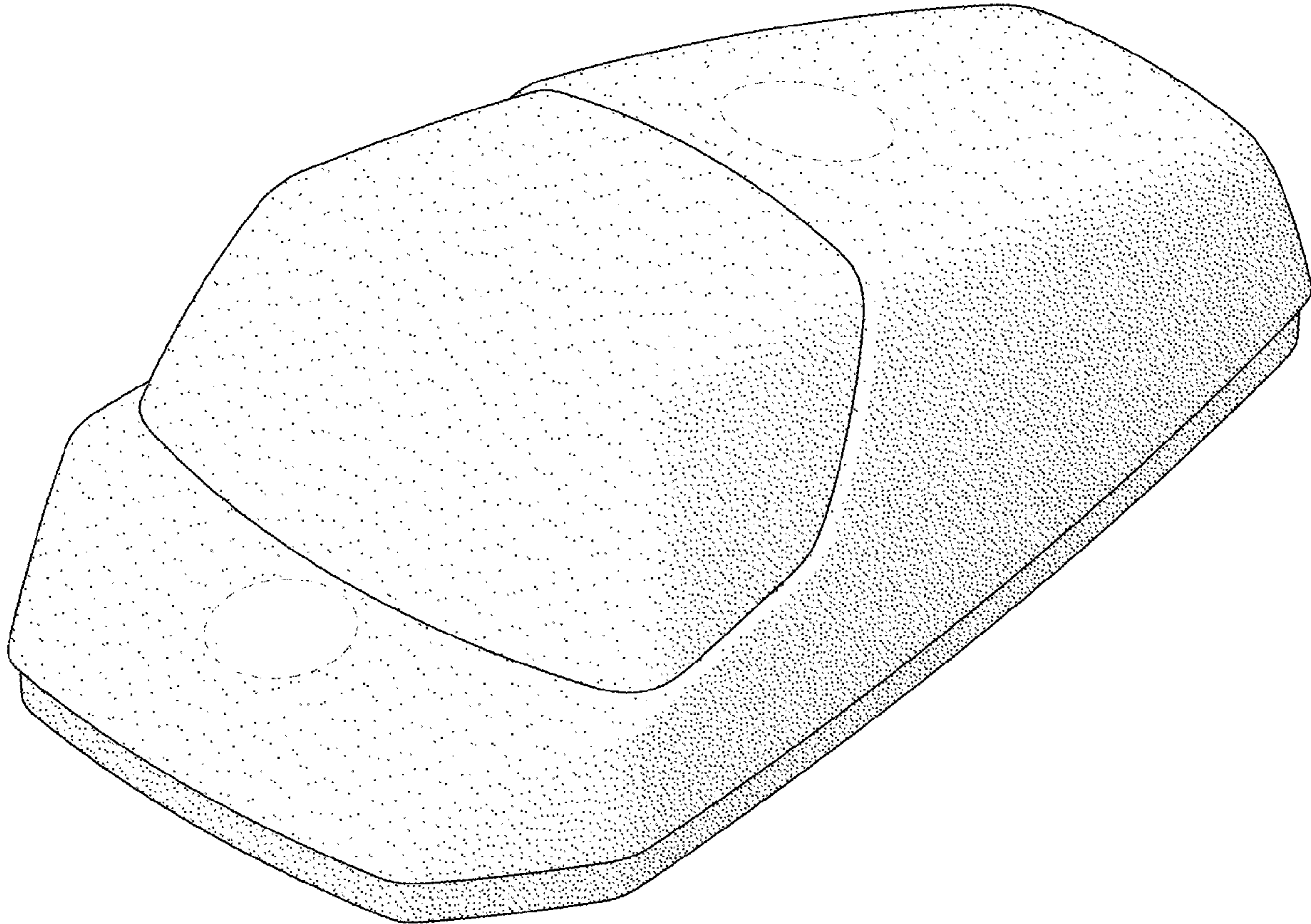


FIG. 1

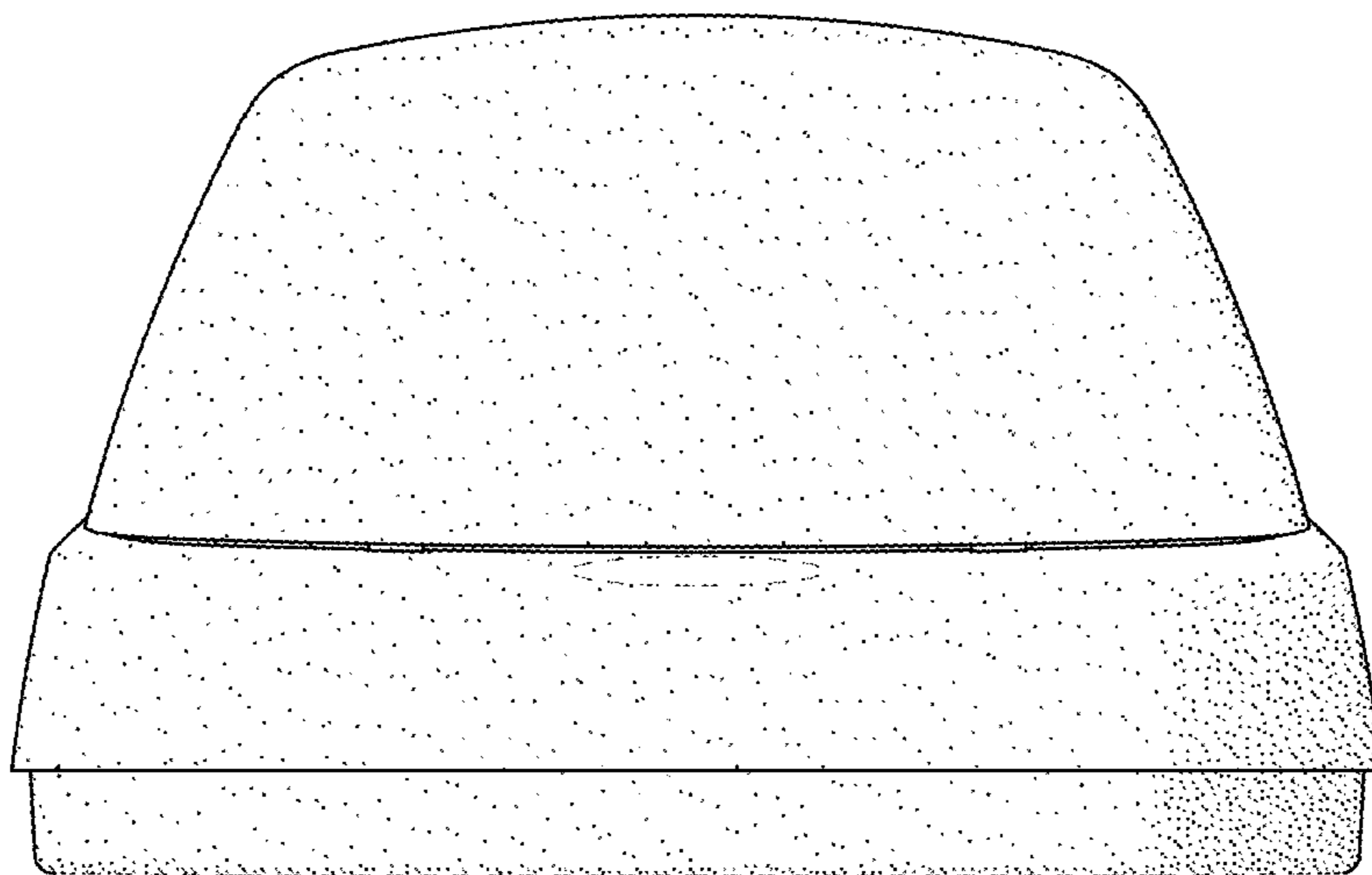


FIG. 2

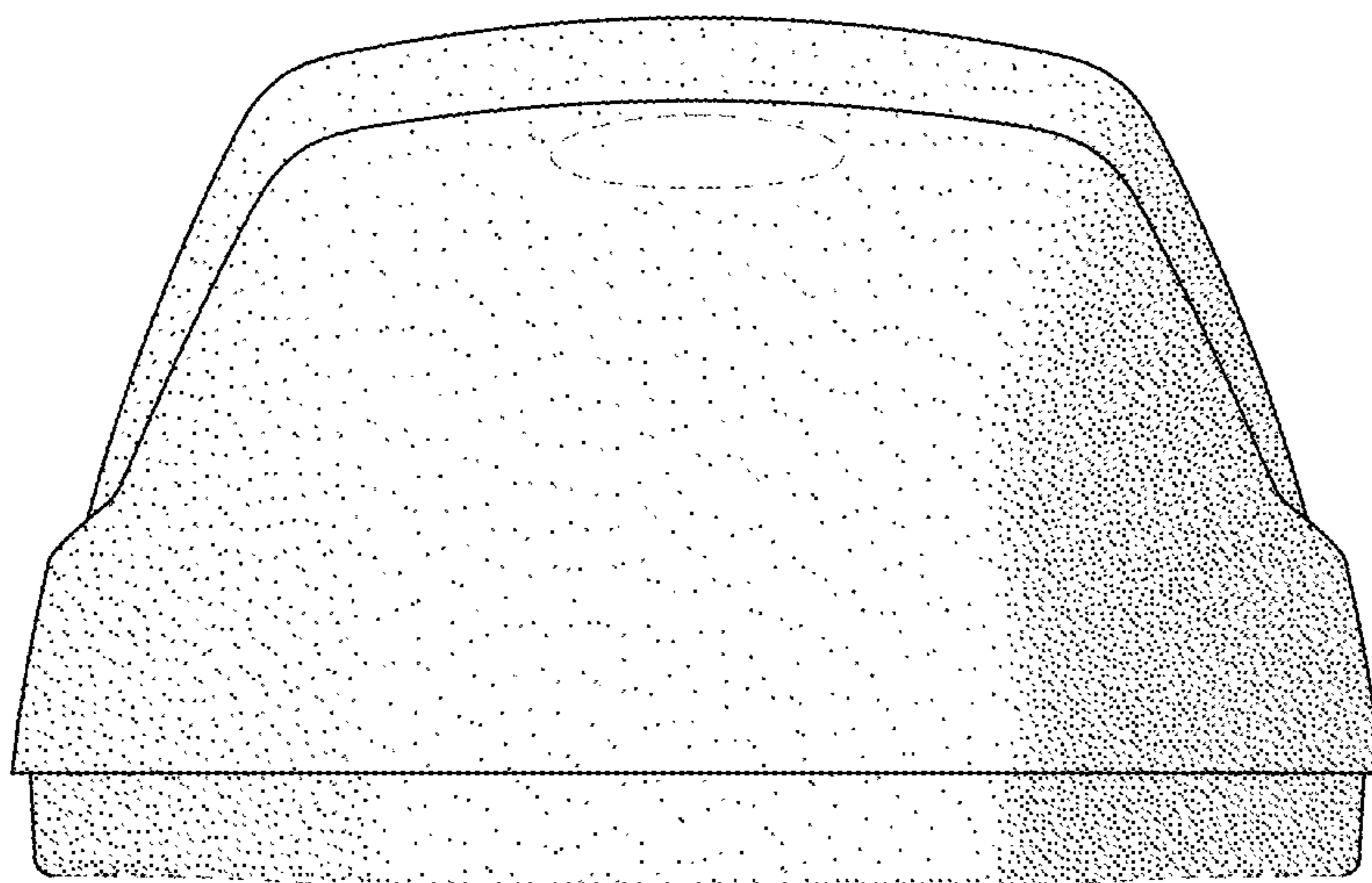


FIG. 3

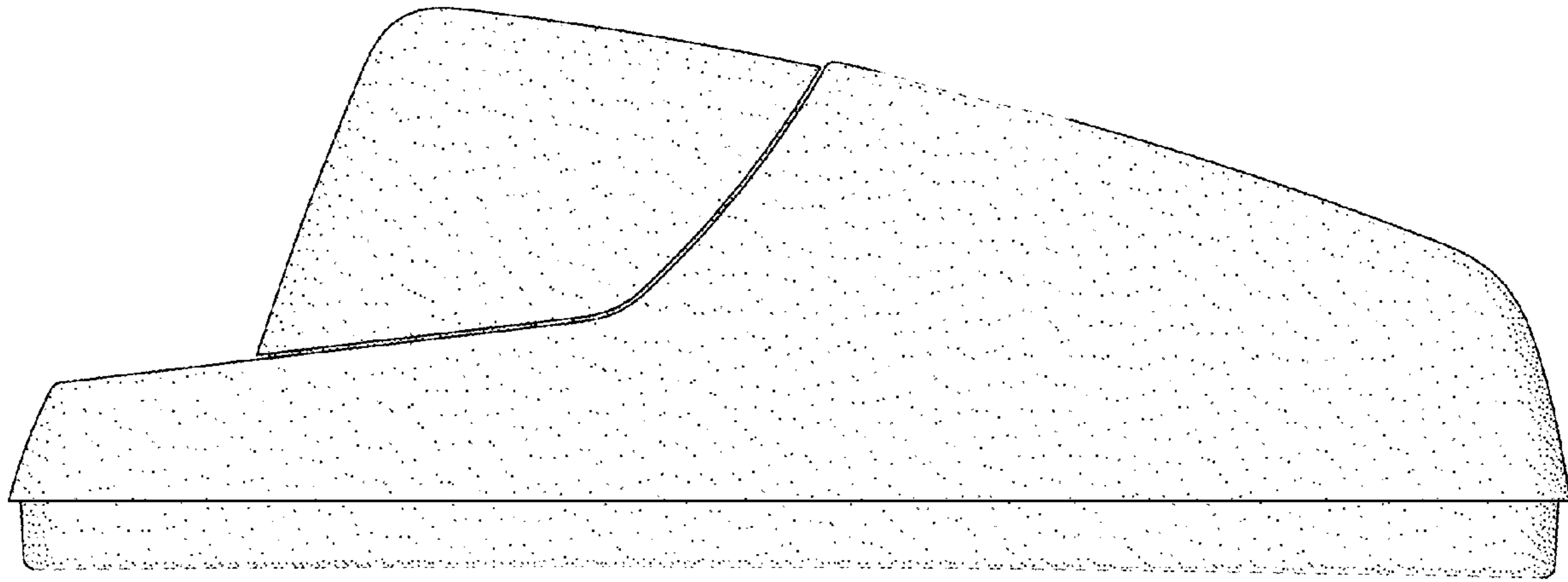


FIG. 4

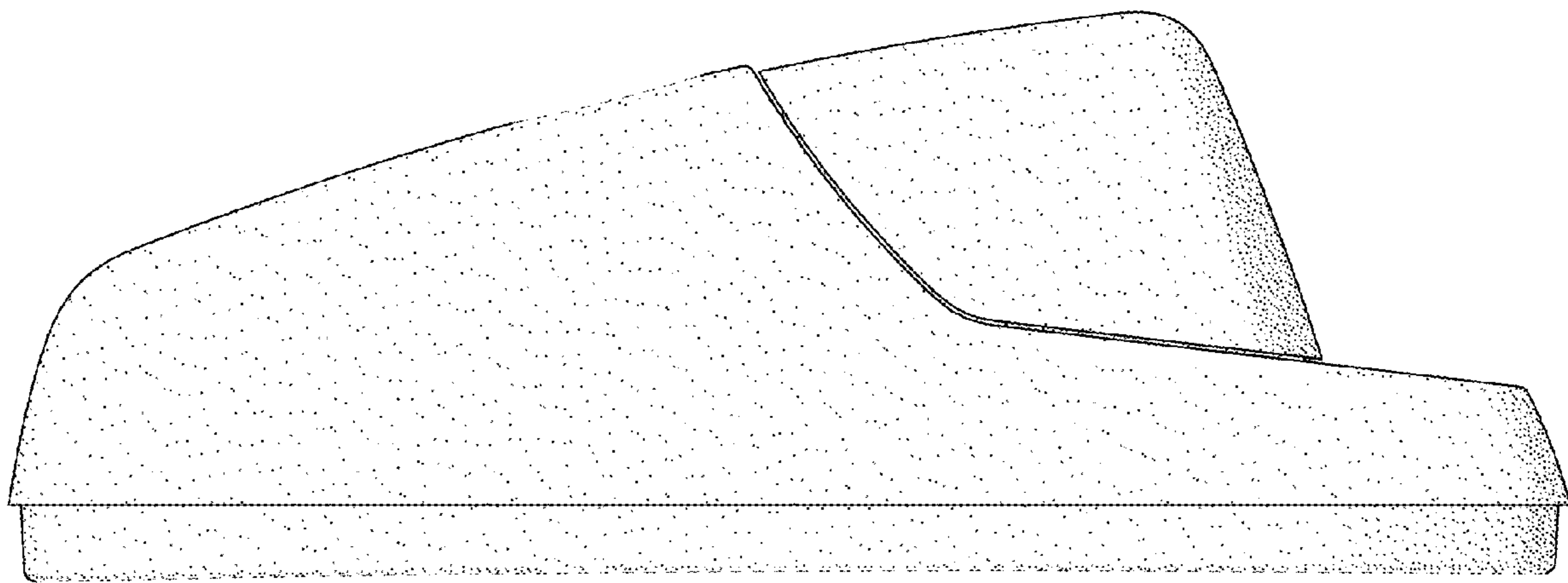


FIG. 5

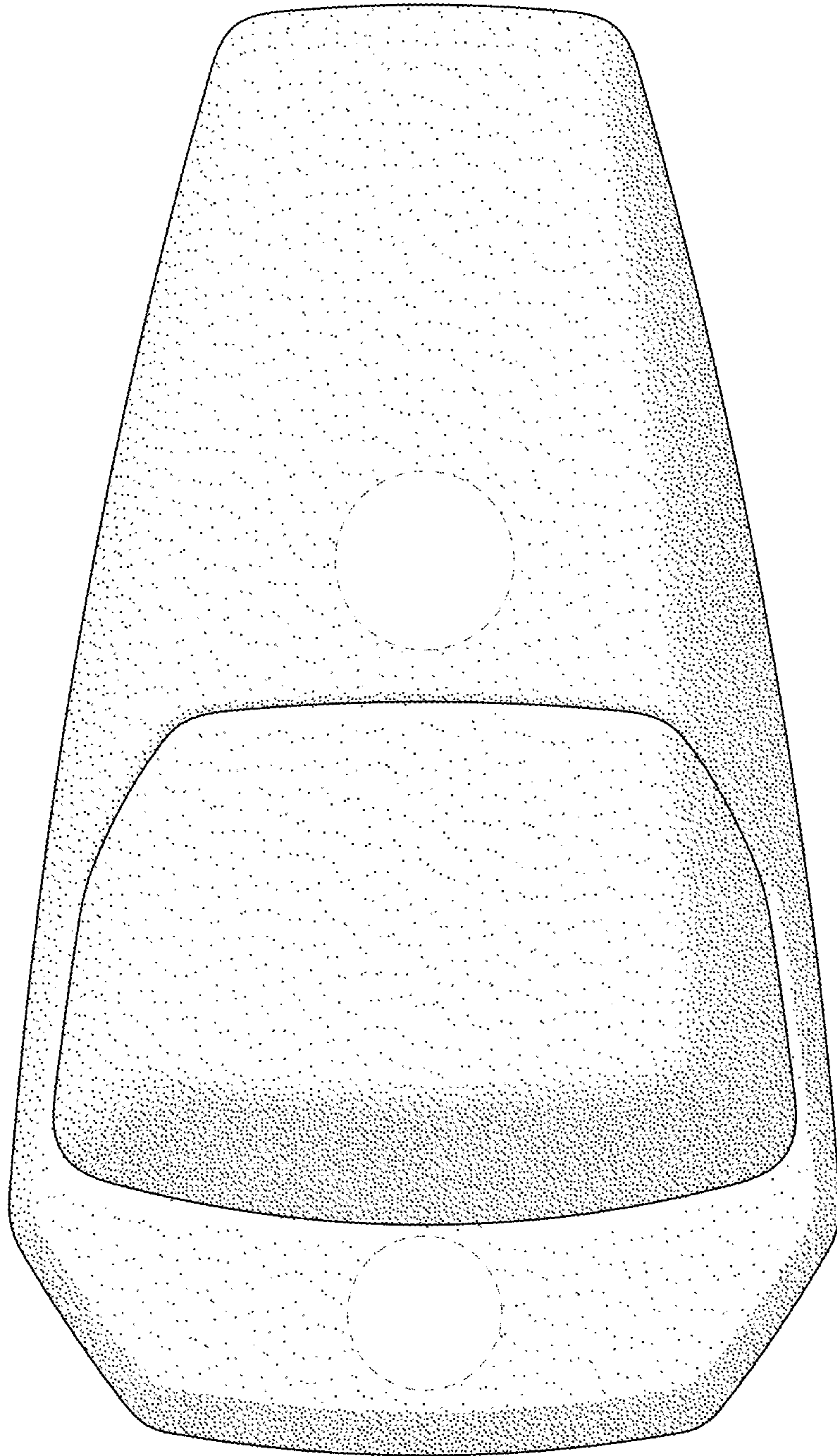


FIG. 6

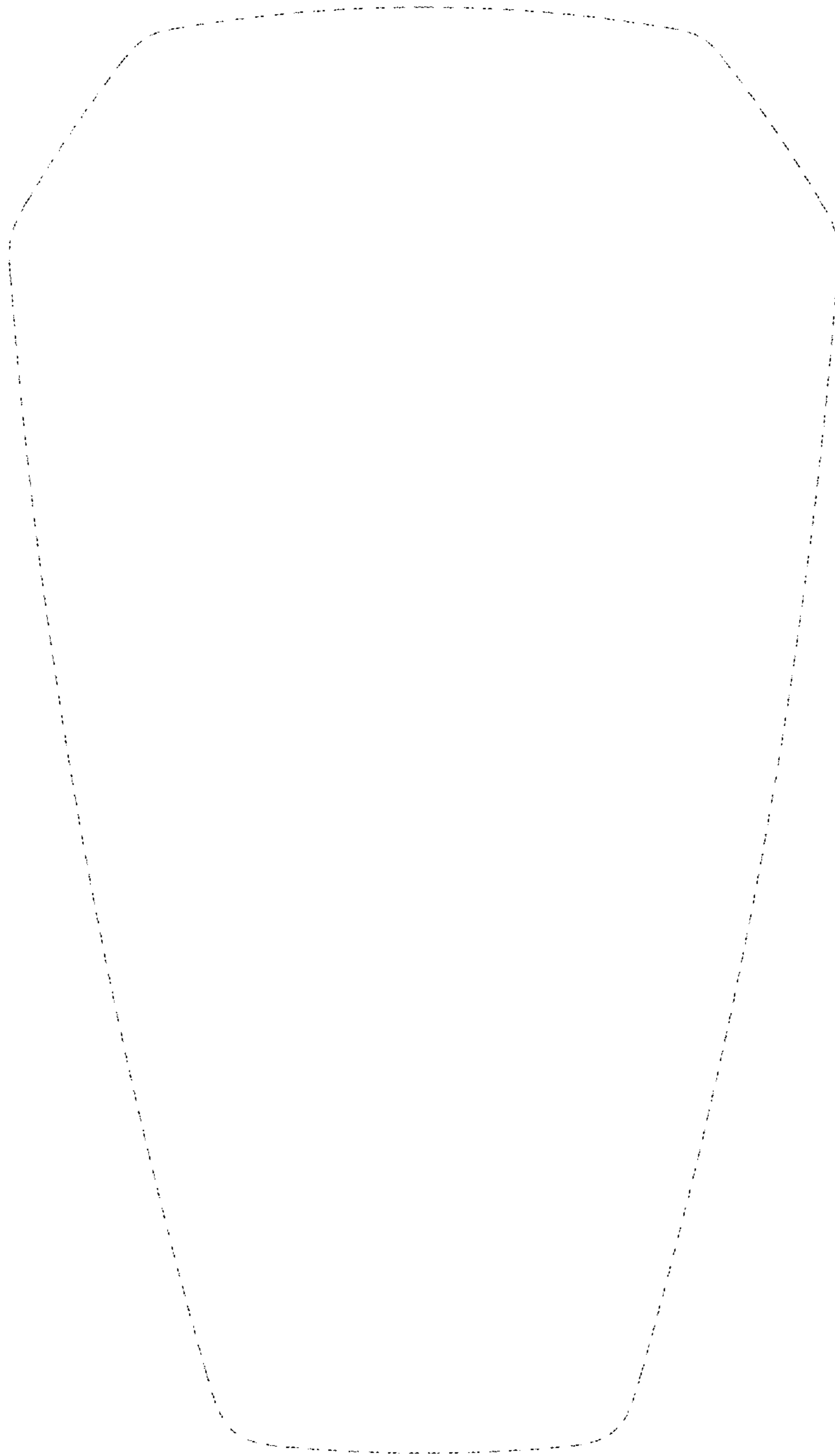


FIG. 7