



US00D927738S

(12) **United States Design Patent** (10) **Patent No.:** **US D927,738 S**
Noguchi et al. (45) **Date of Patent:** **** Aug. 10, 2021**

(54) **HEADLAMP FOR AN AUTOMOBILE**

(71) Applicant: **mitsubishi JIDOSHA KOGYO KABUSHIKI KAISHA**, Tokyo (JP)

(72) Inventors: **Hiroshi Noguchi**, Tokyo (JP); **Osamu Tsuchiya**, Tokyo (JP); **Shuichiro Yamamoto**, Tokyo (JP)

(73) Assignee: **mitsubishi JIDOSHA KOGYO KABUSHIKI KAISHA**, Tokyo (JP)

(**) Term: **15 Years**

(21) Appl. No.: **29/715,073**

(22) Filed: **Nov. 27, 2019**

(30) **Foreign Application Priority Data**

Oct. 10, 2019 (JP) 2019-022740

(51) **LOC (13) Cl.** **26-06**

(52) **U.S. Cl.**
USPC **D26/28**

(58) **Field of Classification Search**
USPC D26/28-36, 139
CPC F21S 48/00; F21S 48/10; F21S 48/115;
F21S 48/225; F21S 48/1233; F21S 48/1266; F21S 48/1388; F21S 48/2268;
F21V 21/04; F21V 29/004; F21W 2103/35; F21W 3/40; F21W 2102/17;
F21W 2102/30; F21W 2103/00; F21W 2103/55; F21W 2104/00; F21W 2107/13;
F21W 2107/17; B60Q 9/13; B60Q 9/135; B60Q 9/1375

See application file for complete search history.

(56) **References Cited**

U.S. PATENT DOCUMENTS

D463,873 S * 10/2002 Frasher D26/28
D527,125 S * 8/2006 Lai D26/28

D591,871 S * 5/2009 Saracoglu D26/28
D678,569 S * 3/2013 Brendel D26/28
D696,445 S * 12/2013 Ishizuka D26/28
D707,860 S * 6/2014 Futschik D26/28
D708,367 S * 7/2014 Tajima D26/28
D802,811 S * 11/2017 Lai D26/28
D804,692 S * 12/2017 Lai D26/28
D806,285 S * 12/2017 Kawakami D26/28
D819,854 S * 6/2018 Lai D26/28
D830,599 S * 10/2018 Lin D26/28
D842,510 S * 3/2019 Kang D26/28
D844,863 S * 4/2019 Tomasson D26/28
D850,675 S * 6/2019 Lin D26/28
D864,443 S * 10/2019 Lin D26/28
D868,314 S * 11/2019 Lai D26/28
D870,932 S * 12/2019 Lin D26/28
D883,526 S * 5/2020 Lin D26/28
D889,700 S * 7/2020 Wang D26/28

* cited by examiner

Primary Examiner — Marcus A Jackson

(74) *Attorney, Agent, or Firm* — Birch, Stewart, Kolasch & Birch, LLP

(57) **CLAIM**

The ornamental design for a headlamp for an automobile, as shown and described.

DESCRIPTION

FIG. 1 is a perspective view of front and right of a headlamp for an automobile of showing our new design; FIG. 2 is a perspective view of front and left thereof; FIG. 3 is a front view thereof; FIG. 4 is a rear view thereof; FIG. 5 is a left side view thereof; FIG. 6 is a right side view thereof; FIG. 7 is a top plan view thereof; and, FIG. 8 is a bottom view thereof. Gradation appeared on surface of parts in respective views indicates shape of a steric face.

1 Claim, 8 Drawing Sheets

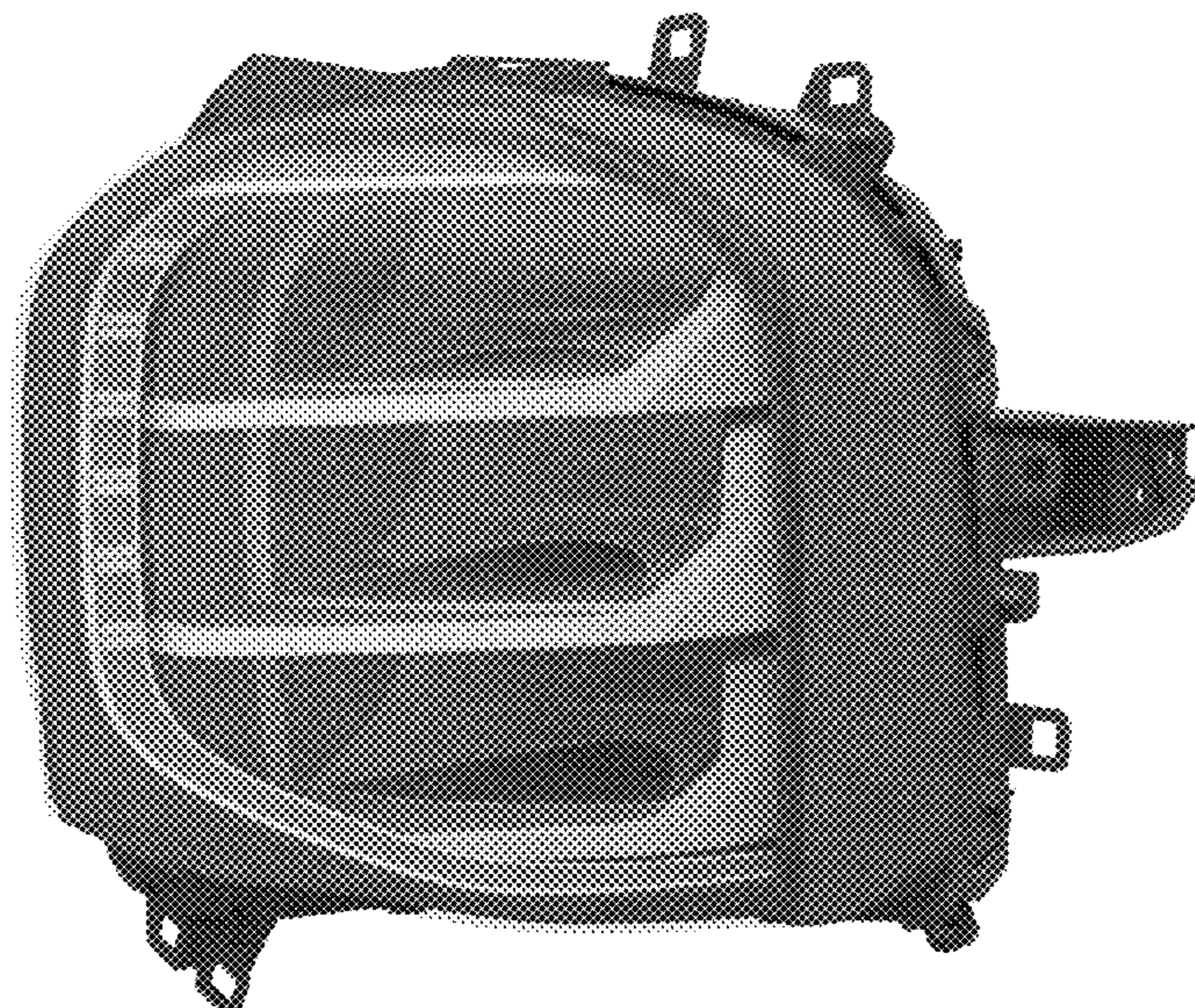




FIG. 1

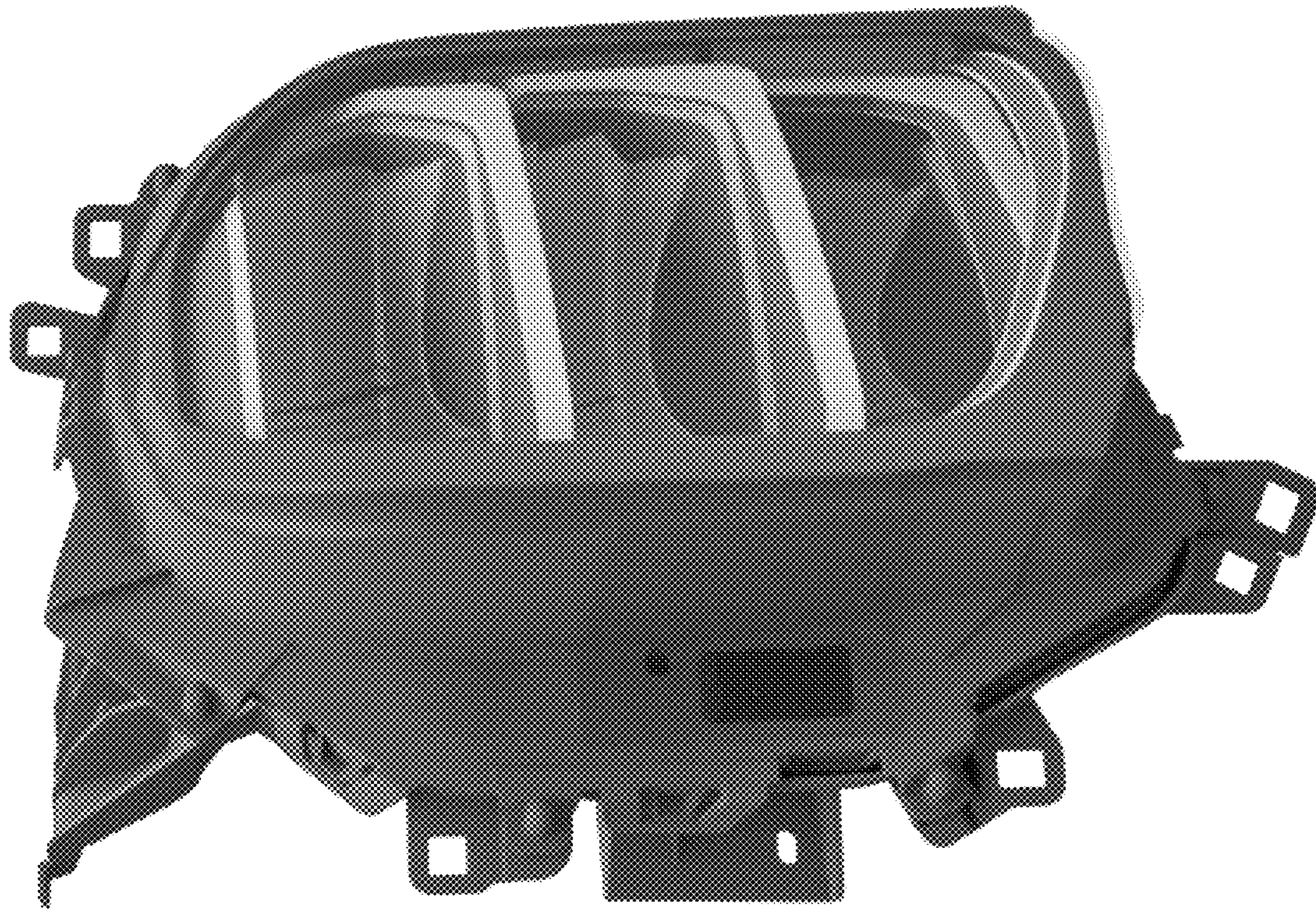


FIG. 2

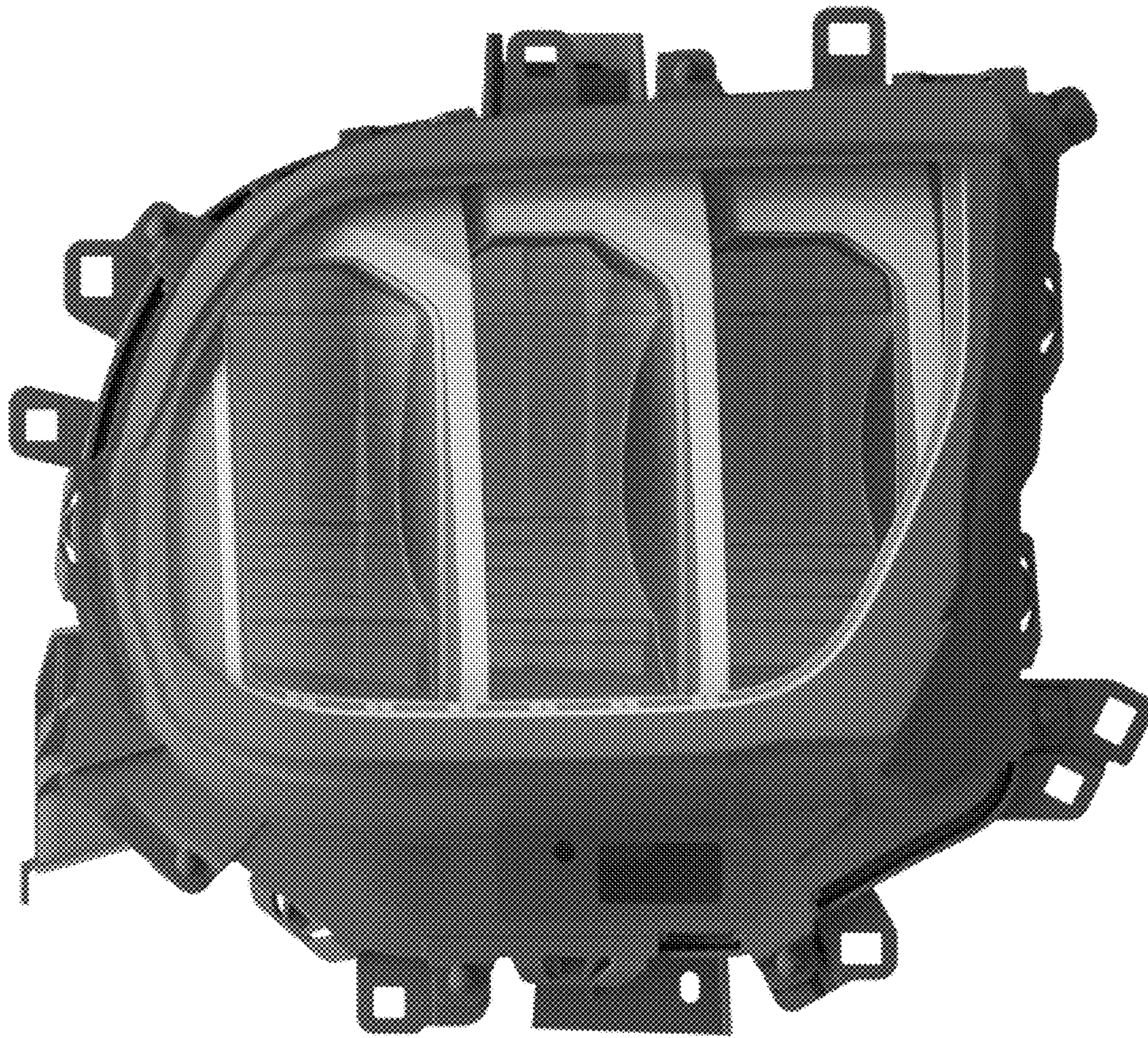


FIG. 3

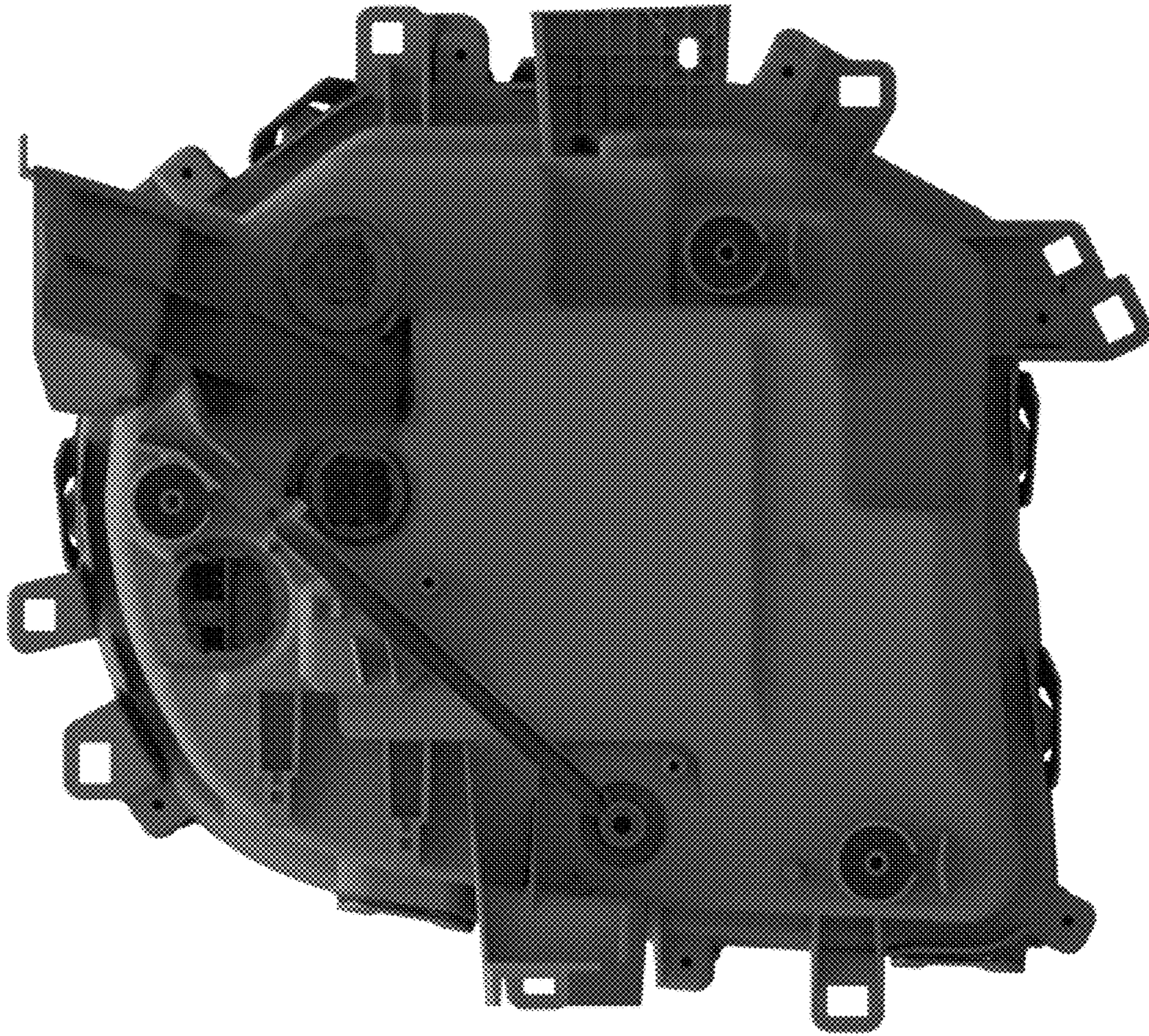


FIG. 4

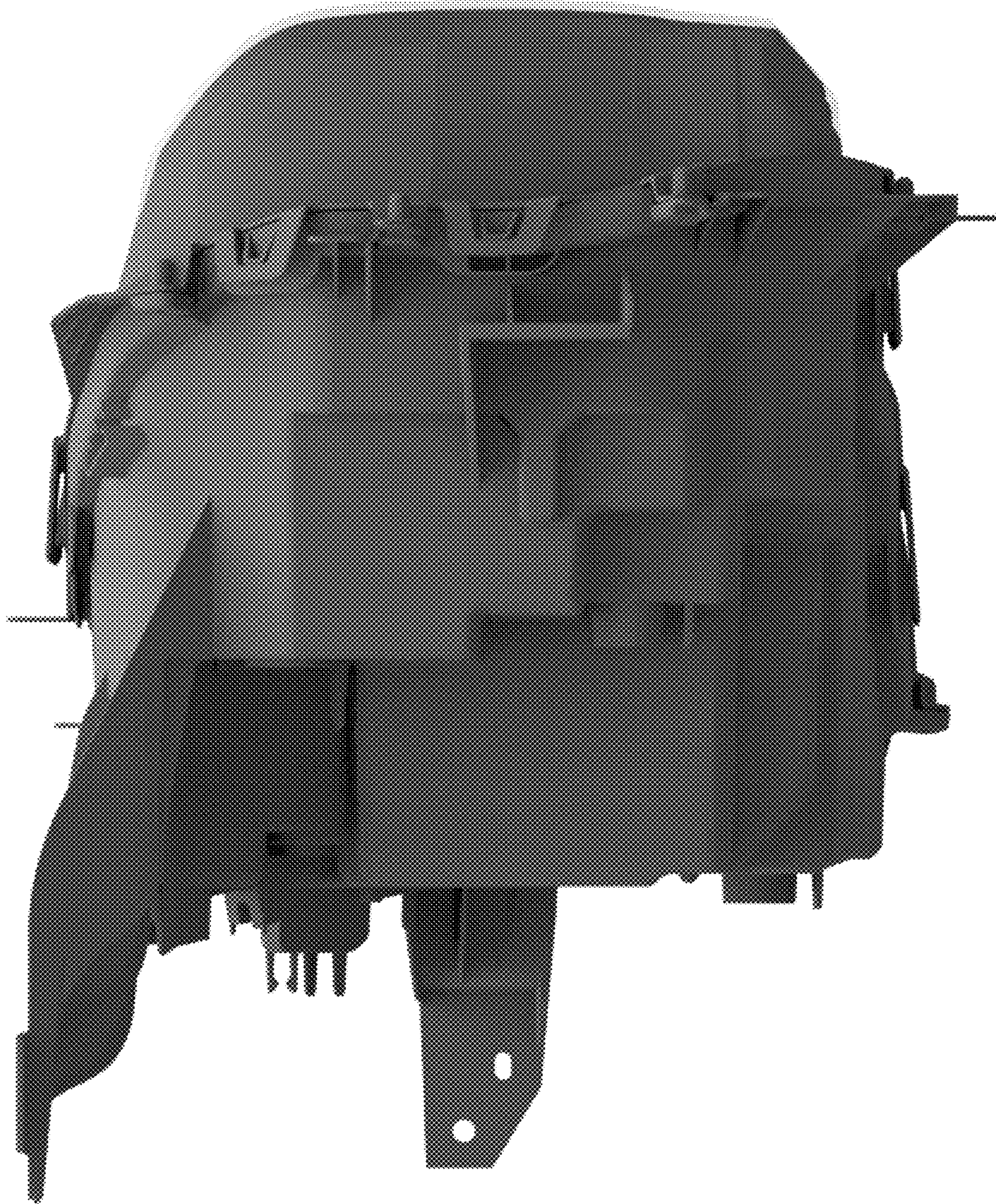


FIG. 5

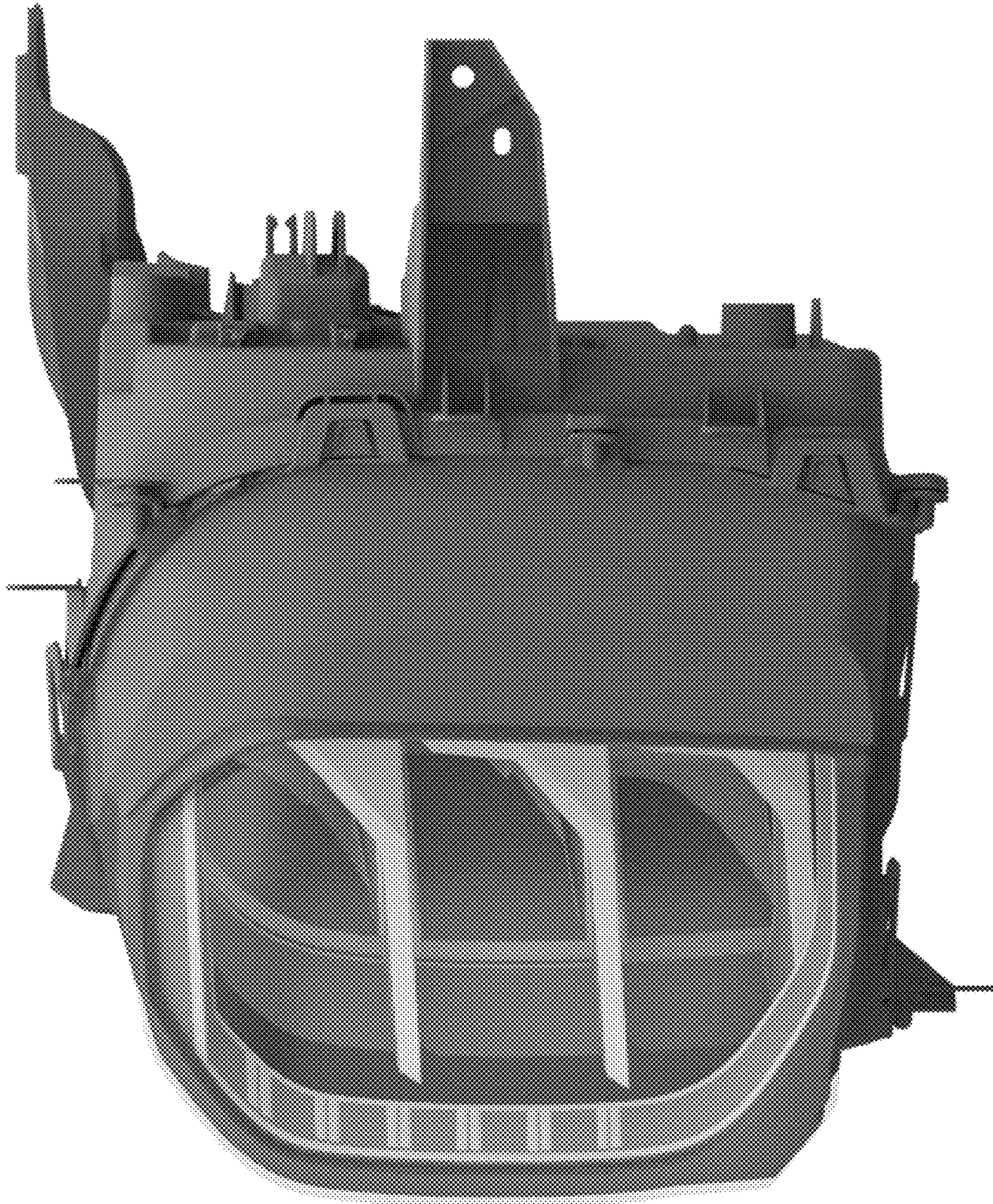


FIG. 6

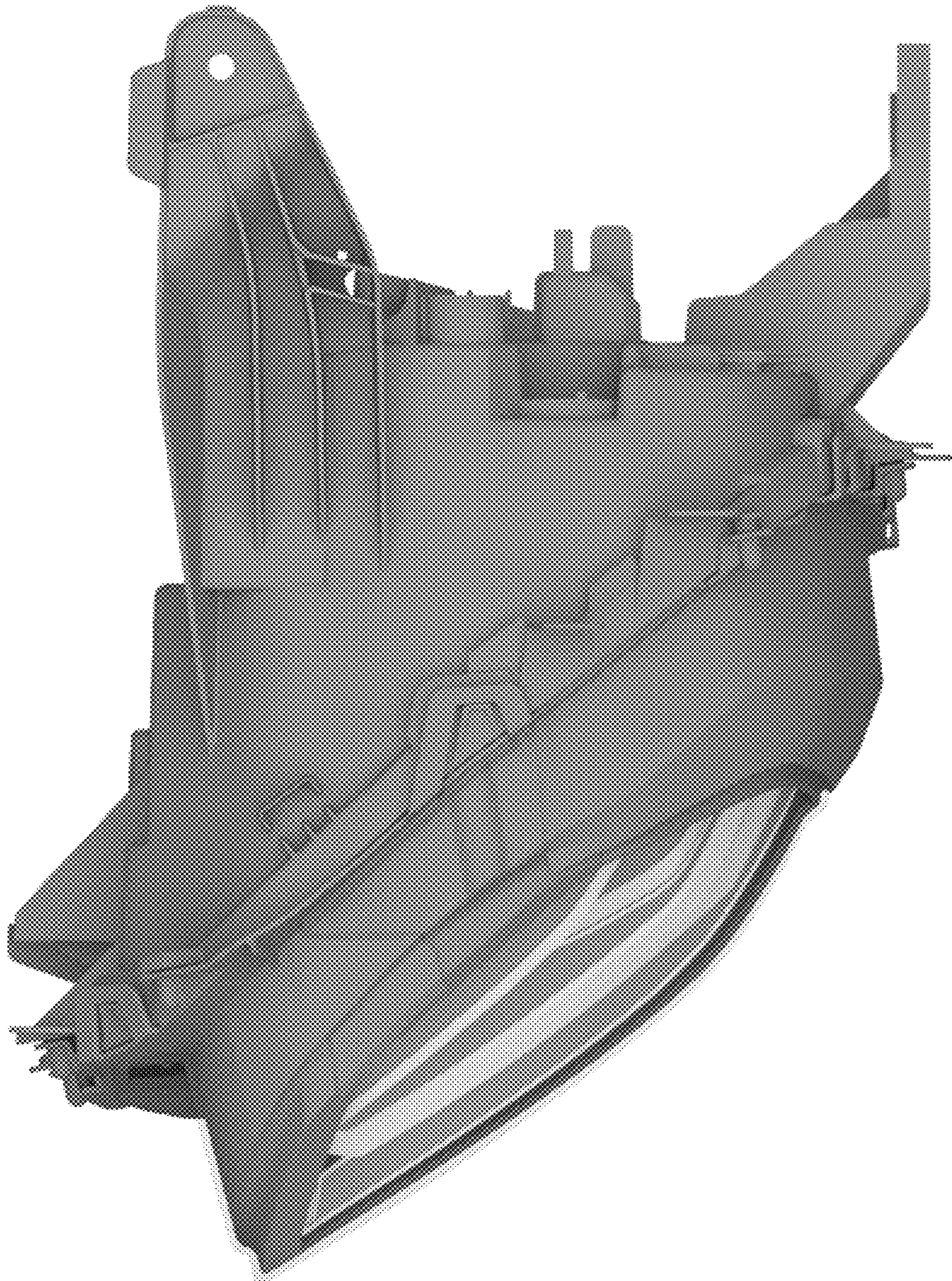


FIG. 7

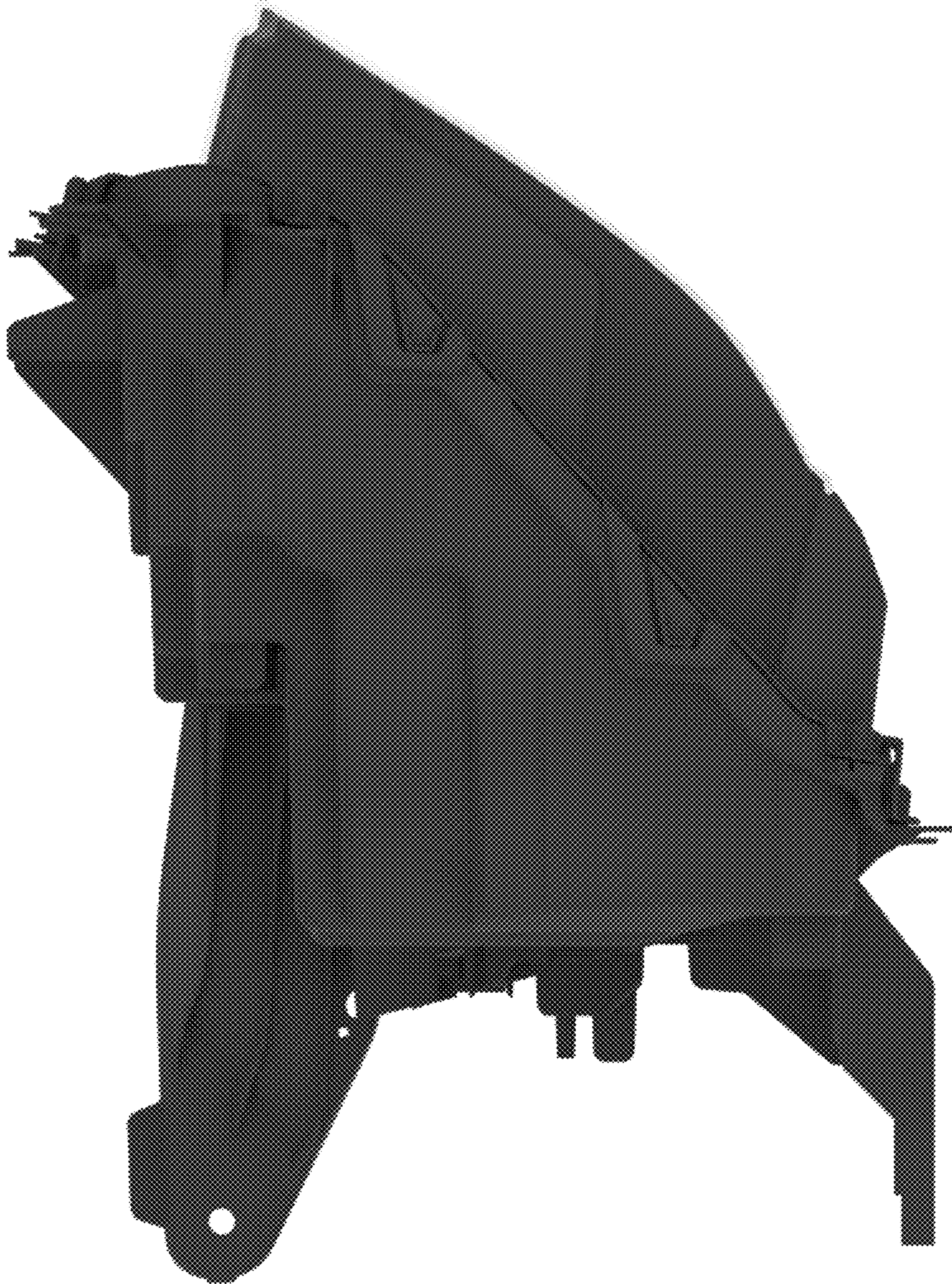


FIG. 8