



US00D927736S

(12) **United States Design Patent** (10) **Patent No.:** **US D927,736 S**
Wang (45) **Date of Patent:** **** Aug. 10, 2021**

(54) **LIGHT**

(71) Applicant: **Chunqing Wang**, Taizhou (CN)

(72) Inventor: **Chunqing Wang**, Taizhou (CN)

(**) Term: **15 Years**

(21) Appl. No.: **29/745,649**

(22) Filed: **Aug. 7, 2020**

(51) **LOC (13) Cl.** **26-01**

(52) **U.S. Cl.**
USPC **D26/4**

(58) **Field of Classification Search**
USPC D26/2, 4, 25
CPC F21S 4/00; F21S 4/001; F21S 4/002; F21S
4/003; F21S 4/005; F21W 2121/00;
F21W 2121/04
See application file for complete search history.

(56) **References Cited**

U.S. PATENT DOCUMENTS

D347,901 S *	6/1994	Yamamoto	D26/2
D398,408 S *	9/1998	Lin	D26/25
D586,483 S *	2/2009	Elwell	D26/2
D887,035 S *	6/2020	Rice	F21S 41/60 D26/2
2015/0211717 A1*	7/2015	Liu	F21V 7/0066 362/310
2021/0025571 A1*	1/2021	DeCosmo	F21V 21/008

OTHER PUBLICATIONS

Twinkle Star 50 LED Battery Operated Christmas Lights 16 ft Mini String Lights, Waterproof Tree Lights with 8 Lighting Modes, Indoor Outdoor Patio Garden Party Wedding Christmas Decoration, Warm White, <https://www.amazon.com/dp/B07W54W5KH>; Sep 20, 2019.

* cited by examiner

Primary Examiner — Brian N. Vinson

(74) *Attorney, Agent, or Firm* — Runit Ranjit Kanakia

(57) **CLAIM**

I claim the ornamental design for a light, as shown and described.

DESCRIPTION

FIG. 1 is a Perspective view of a light showing my new design;

FIG. 2 is a Front view thereof;

FIG. 3 is a Back view thereof;

FIG. 4 is a Right-side view thereof;

FIG. 5 is a Left-side view thereof;

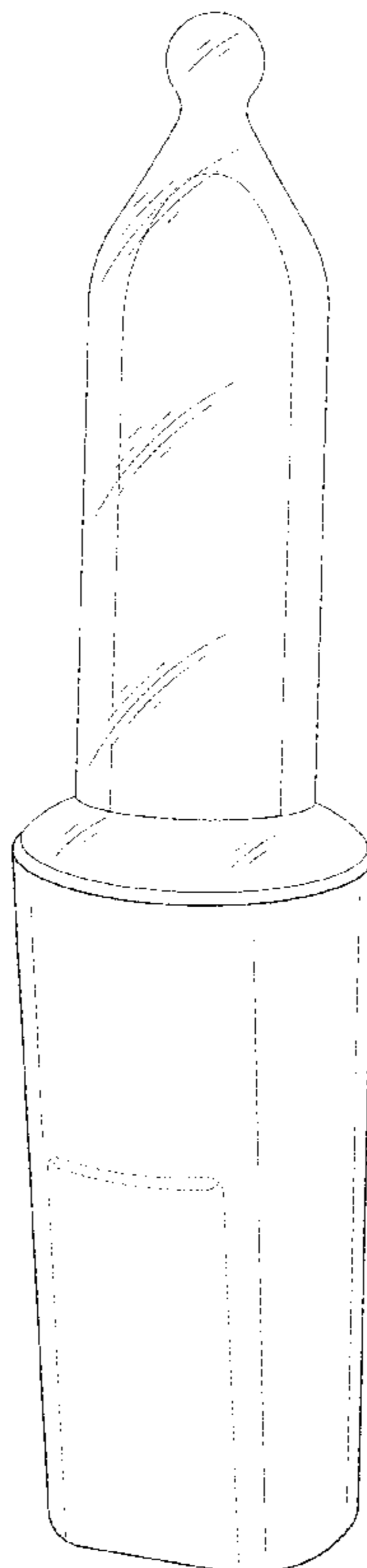
FIG. 6 is a Top view thereof;

FIG. 7 is a Bottom view thereof; and,

FIG. 8 is other perspective view of a light showing in open position.

The broken lines are for the purpose of illustrating portions of the article that form no part of the claim.

1 Claim, 8 Drawing Sheets



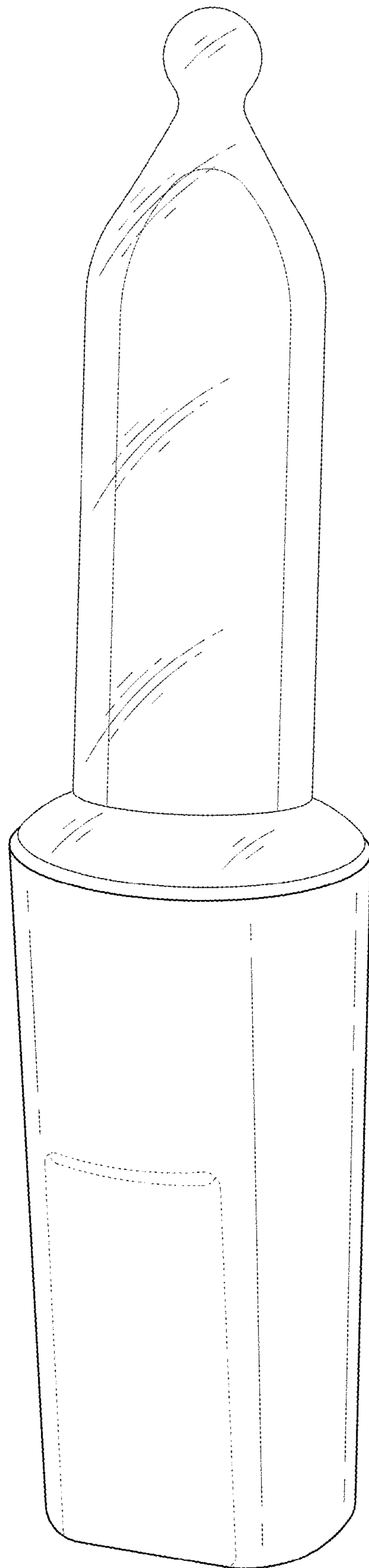


FIG. 1

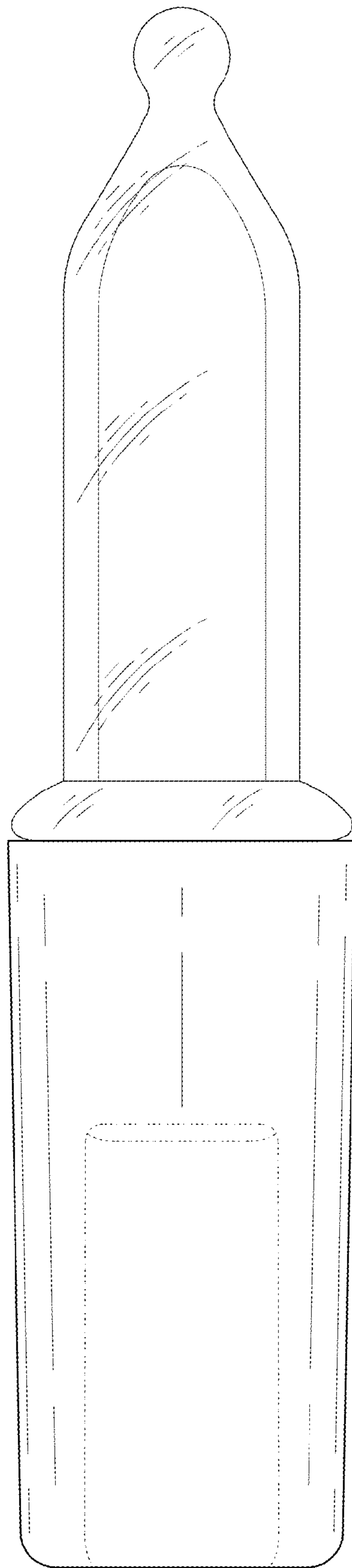


FIG. 2

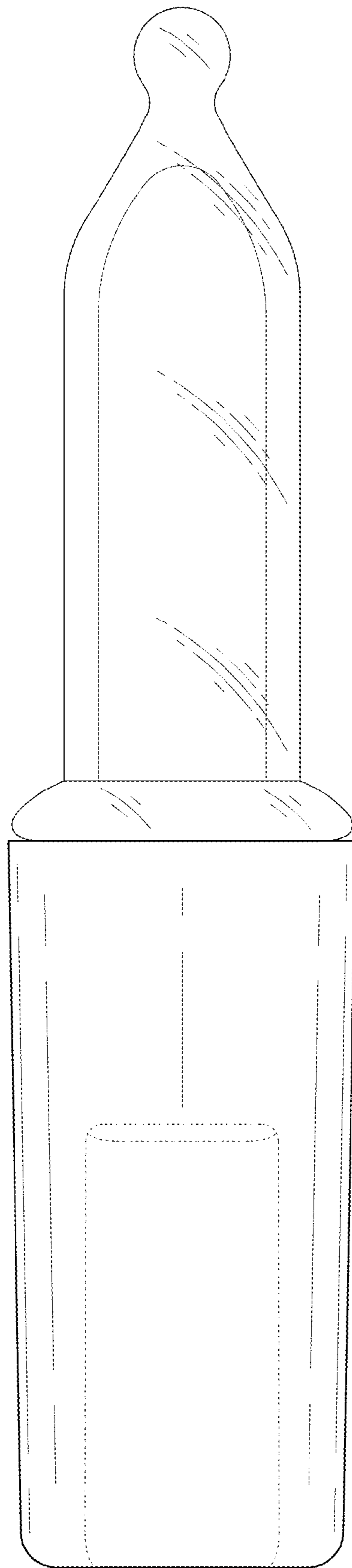


FIG. 3

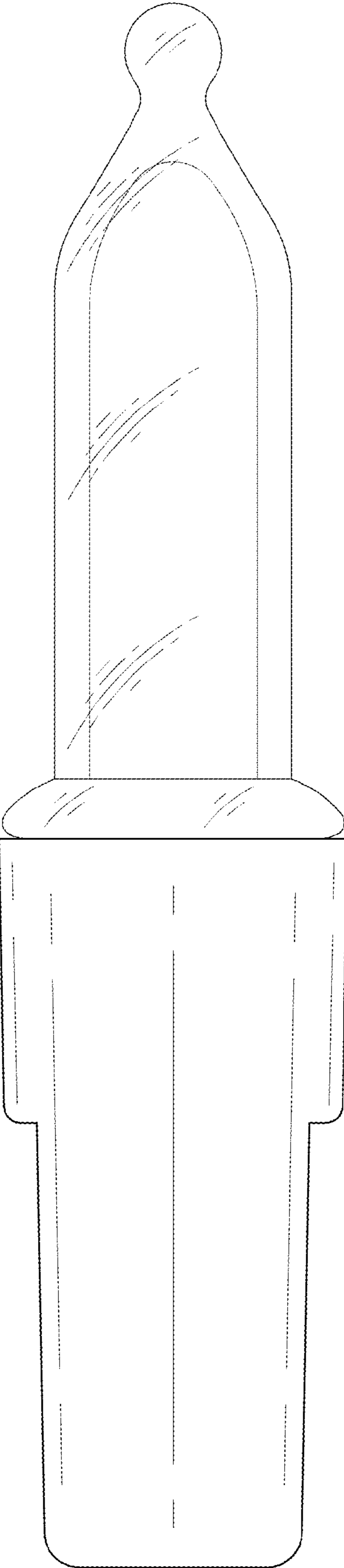


FIG. 4

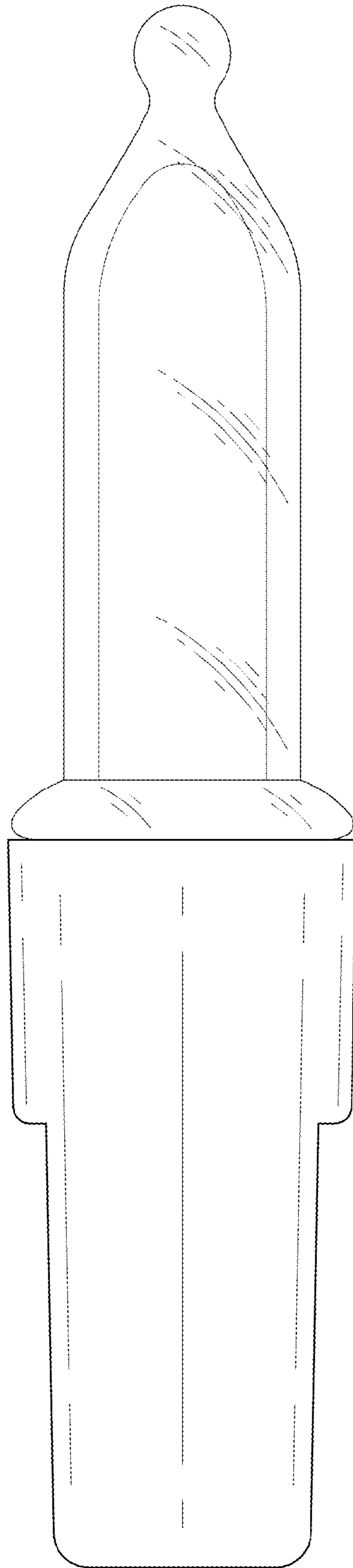


FIG. 5

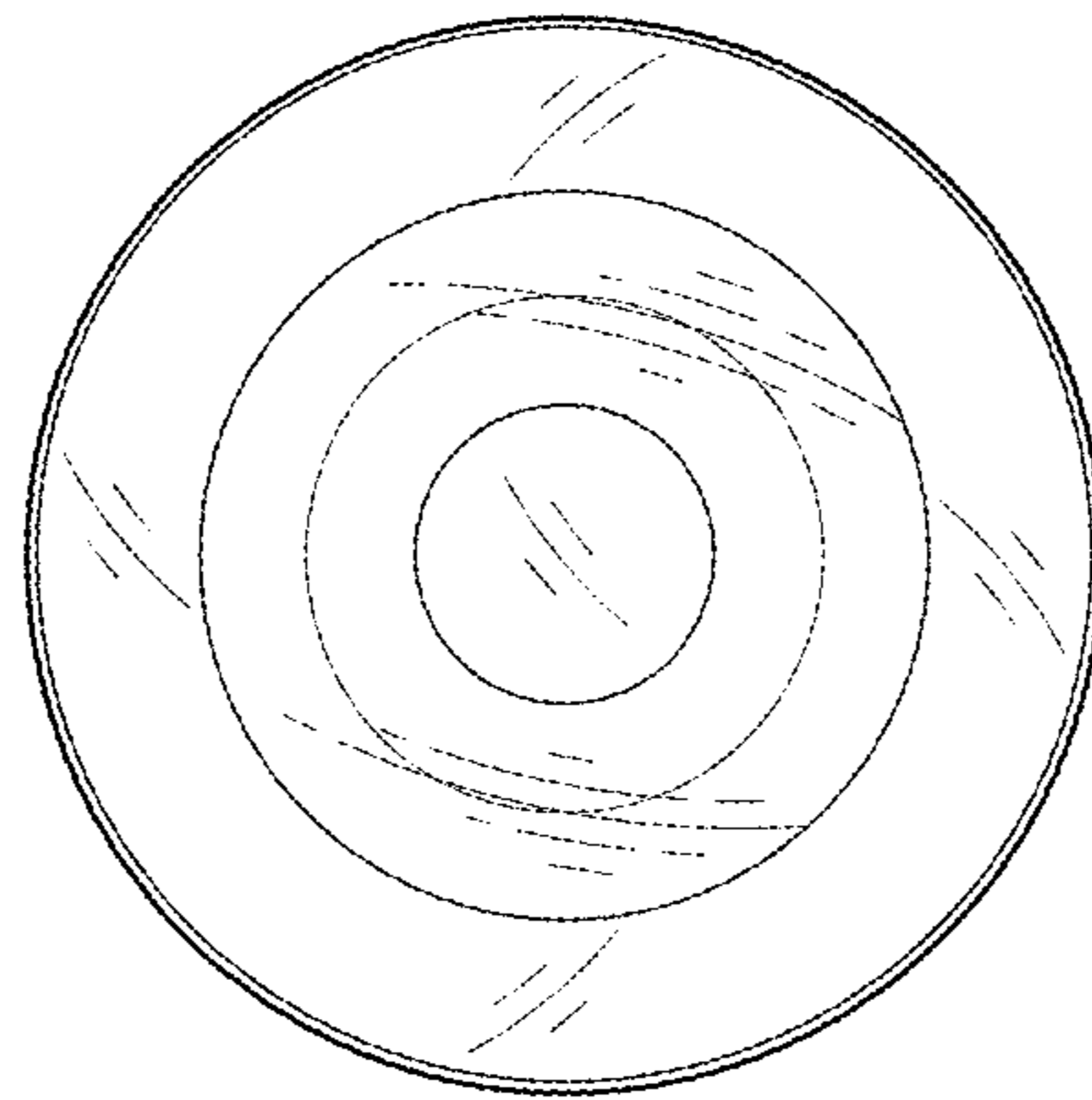


FIG. 6

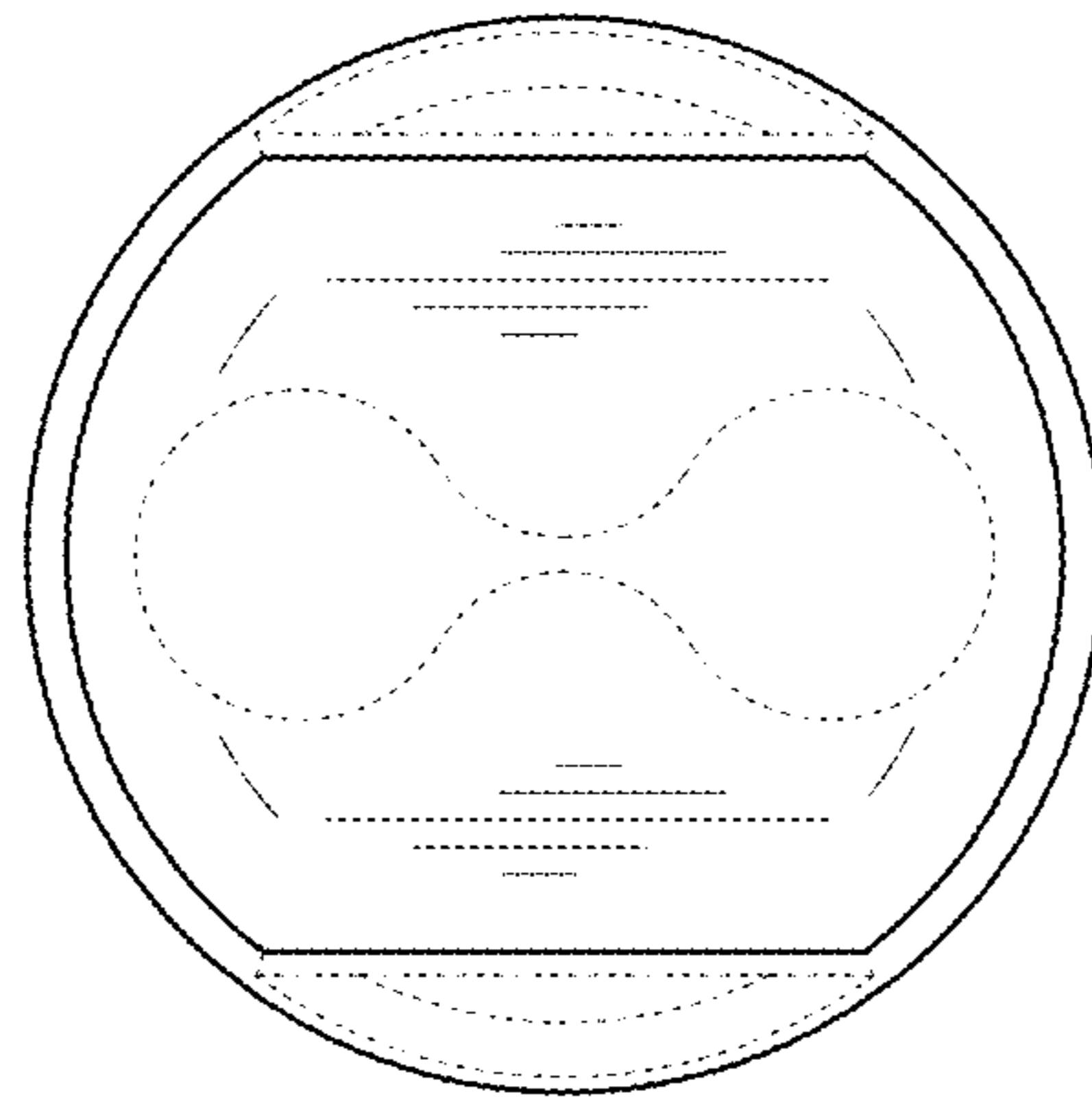


FIG. 7

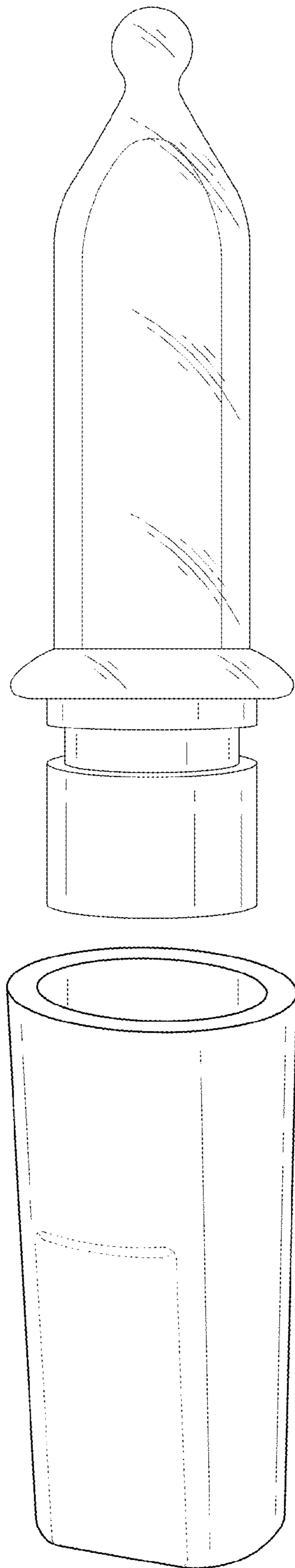


FIG. 8