



US00D927734S

(12) **United States Design Patent** (10) **Patent No.:** **US D927,734 S**
Ward (45) **Date of Patent:** **** Aug. 10, 2021**

(54) **SAW HORSE TABLE TOP**
(71) Applicant: **Clarence Ward**, Brackettville, TX (US)
(72) Inventor: **Clarence Ward**, Brackettville, TX (US)
(**) Term: **15 Years**
(21) Appl. No.: **29/733,076**
(22) Filed: **Apr. 29, 2020**
(51) **LOC (13) Cl.** **25-04**
(52) **U.S. Cl.**
USPC **D25/67**; D6/691
(58) **Field of Classification Search**
USPC D25/67, 68; 182/153; D6/707.19, 684,
D6/691, 707, 675
CPC B25H 1/06; B25H 1/04; B25H 1/00; E04G
1/32
See application file for complete search history.

D915,105 S * 4/2021 Xie D6/675
D915,803 S * 4/2021 Miller D6/691
2017/0334059 A1 11/2017 Moffat

FOREIGN PATENT DOCUMENTS

WO WO2006127043 11/2006

* cited by examiner

Primary Examiner — Gino Colan

(57) **CLAIM**

The ornamental design for a saw horse table top, as shown and described.

DESCRIPTION

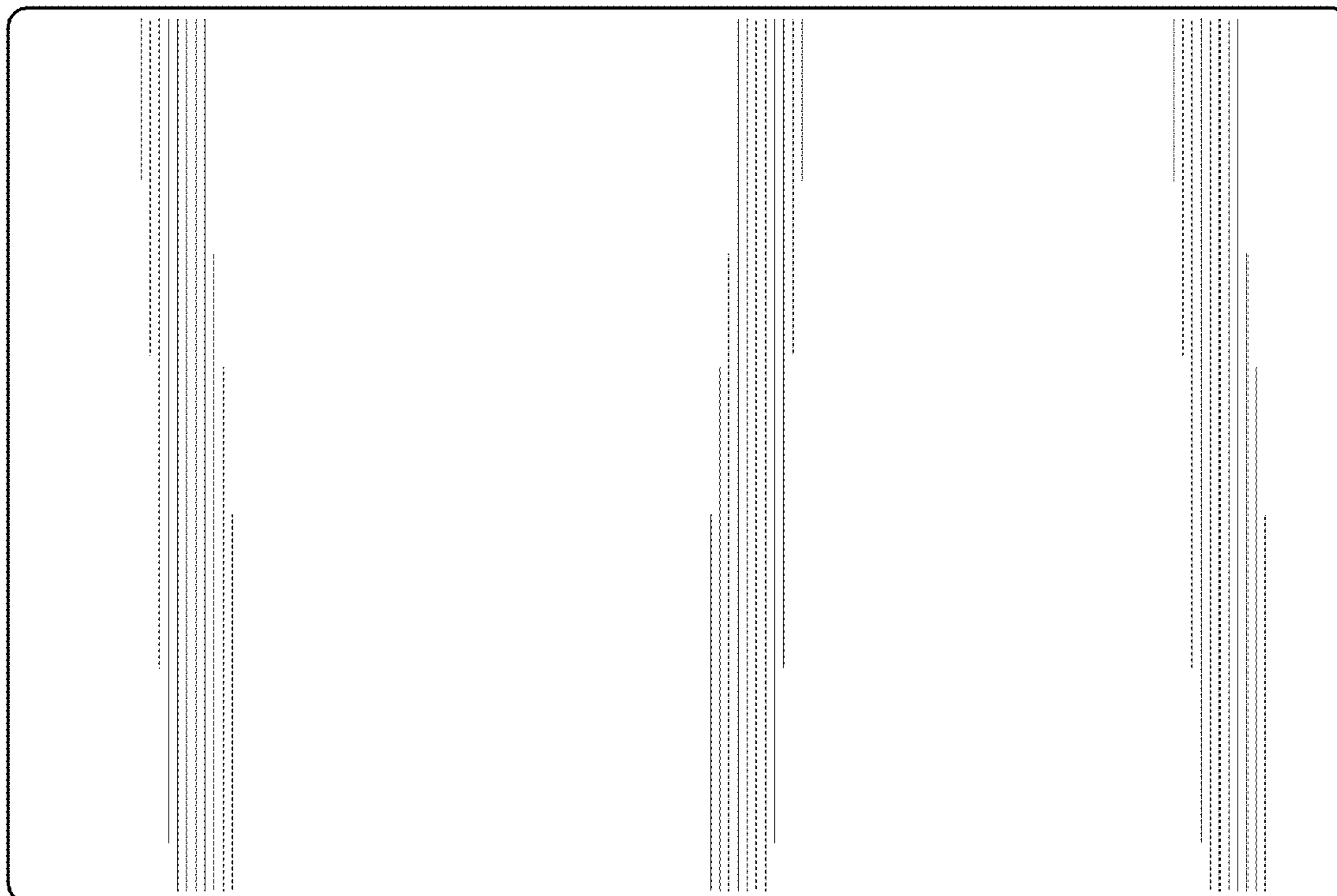
FIG. 1 is a front view of a saw horse table top showing my new design;
FIG. 2 is a rear view of the saw horse table top;
FIG. 3 is a right side view of the saw horse table top;
FIG. 4 is a left side view of the saw horse table top;
FIG. 5 is a top view of the saw horse table top;
FIG. 6 is a bottom view of the saw horse table top;
FIG. 7 is a top front side perspective view of the saw horse table top;
FIG. 8 is a bottom rear side perspective view of the saw horse table top; and,
FIG. 9 is a bottom front side perspective view of the saw horse table top in use.
The broken lines in FIG. 9 are illustrative of environmental structure forming no part of the claimed design.

(56) **References Cited**

U.S. PATENT DOCUMENTS

5,535,847 A 7/1996 DuRapau
5,582,267 A 12/1996 Bockoven
D406,905 S 3/1999 Librach
6,619,601 B1 9/2003 Vall
6,968,790 B1 11/2005 Kocsis
7,240,705 B2 7/2007 Alger
D662,336 S * 6/2012 Martin D6/656
D681,851 S * 5/2013 Zidek D25/67
10,377,032 B1 8/2019 Kadosh
10,750,854 B2 * 8/2020 Egger A47B 13/08
10,806,247 B1 * 10/2020 Chen A47B 13/088
D914,415 S * 3/2021 Lim D6/691

1 Claim, 4 Drawing Sheets



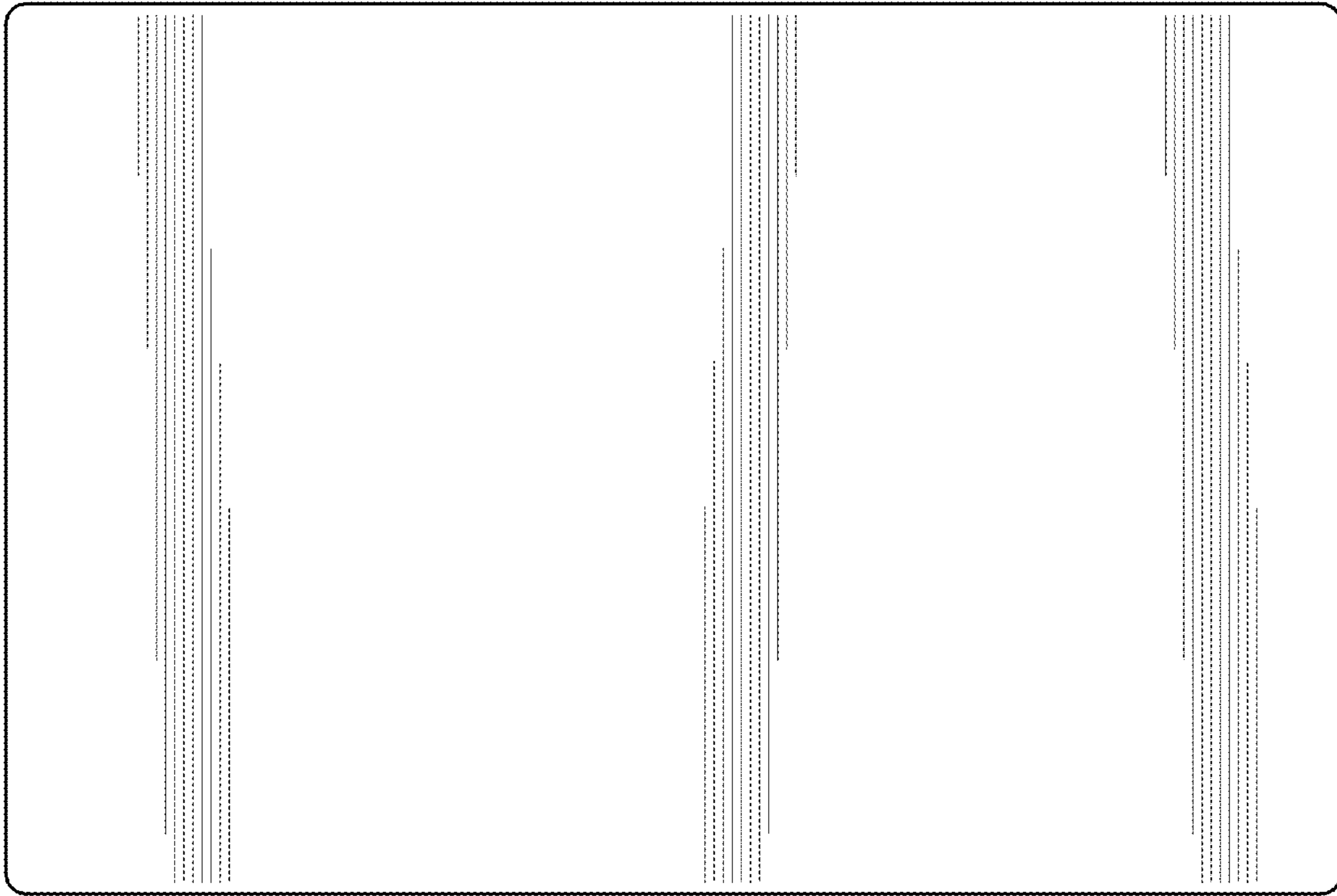


FIG. 1

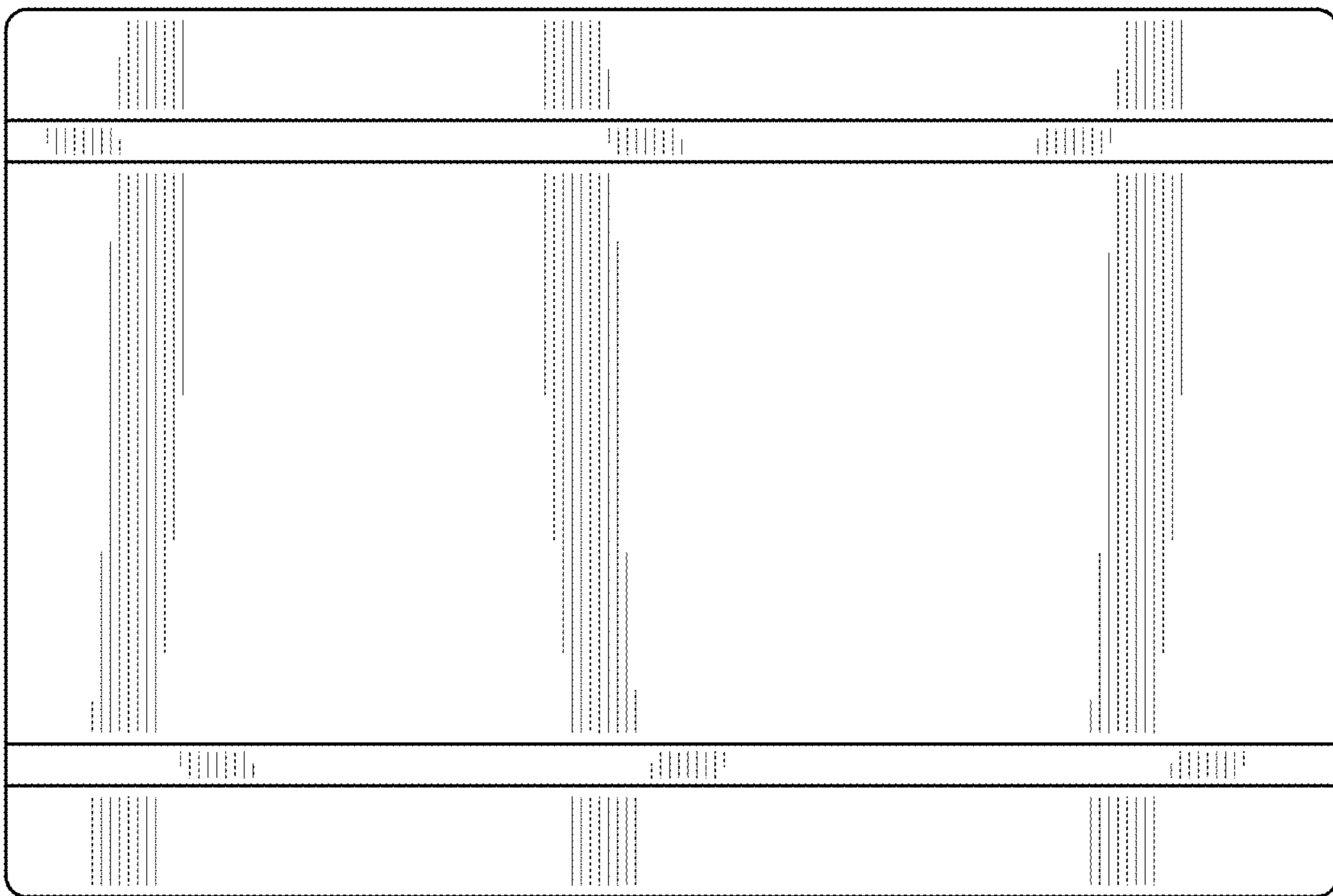


FIG. 2

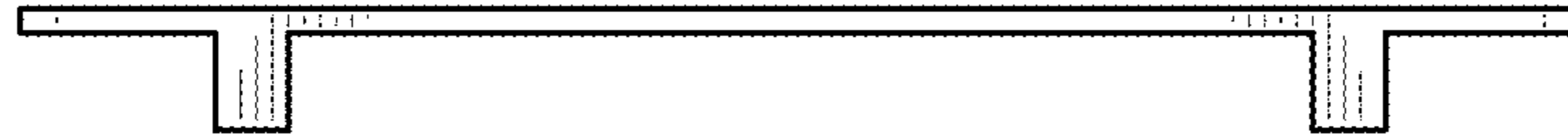


FIG. 3



FIG. 4

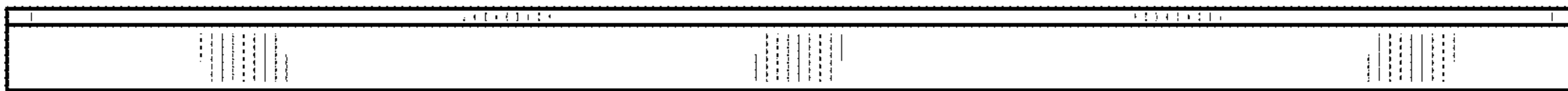


FIG. 5

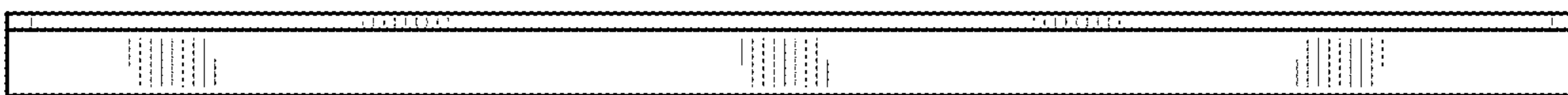


FIG. 6

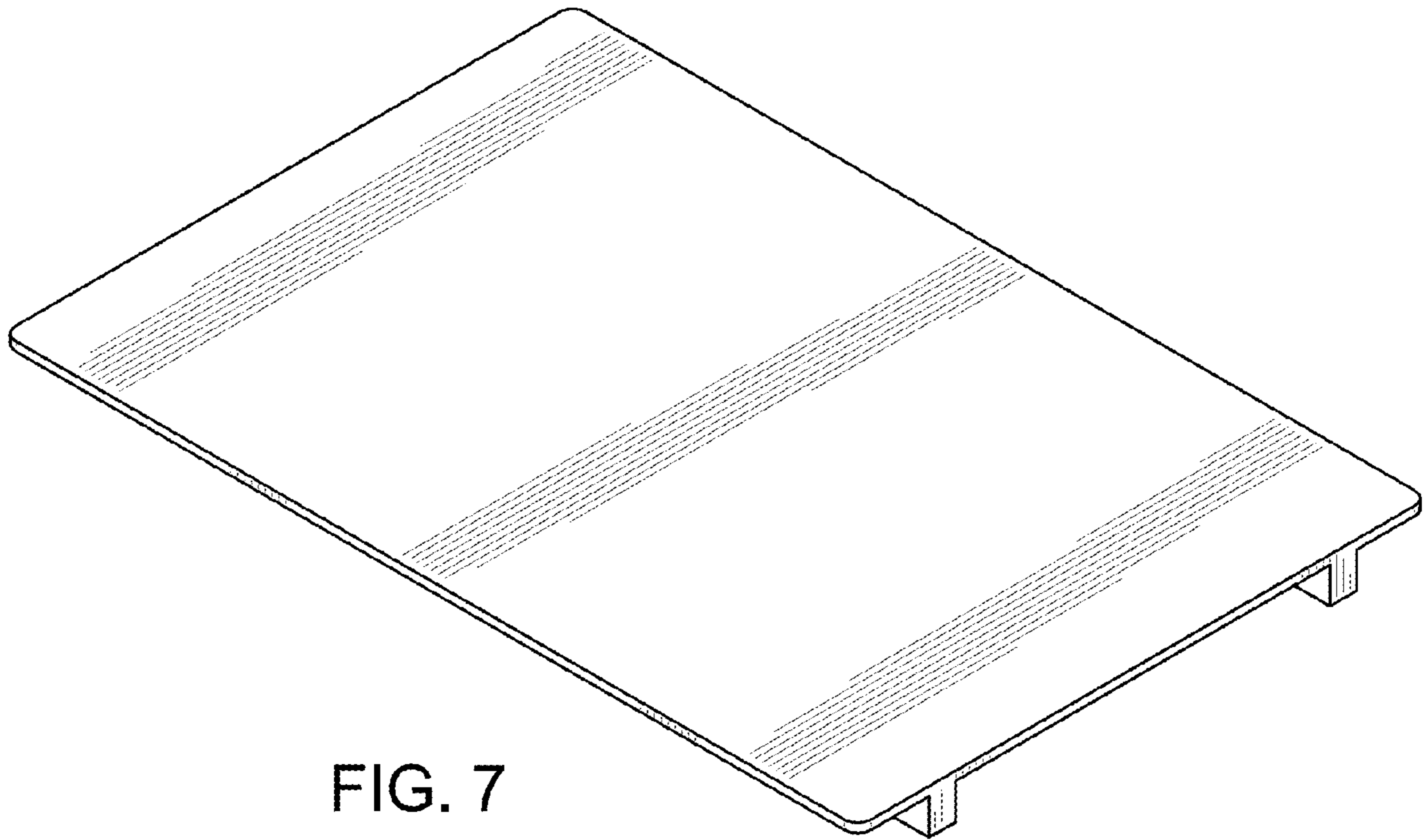


FIG. 7

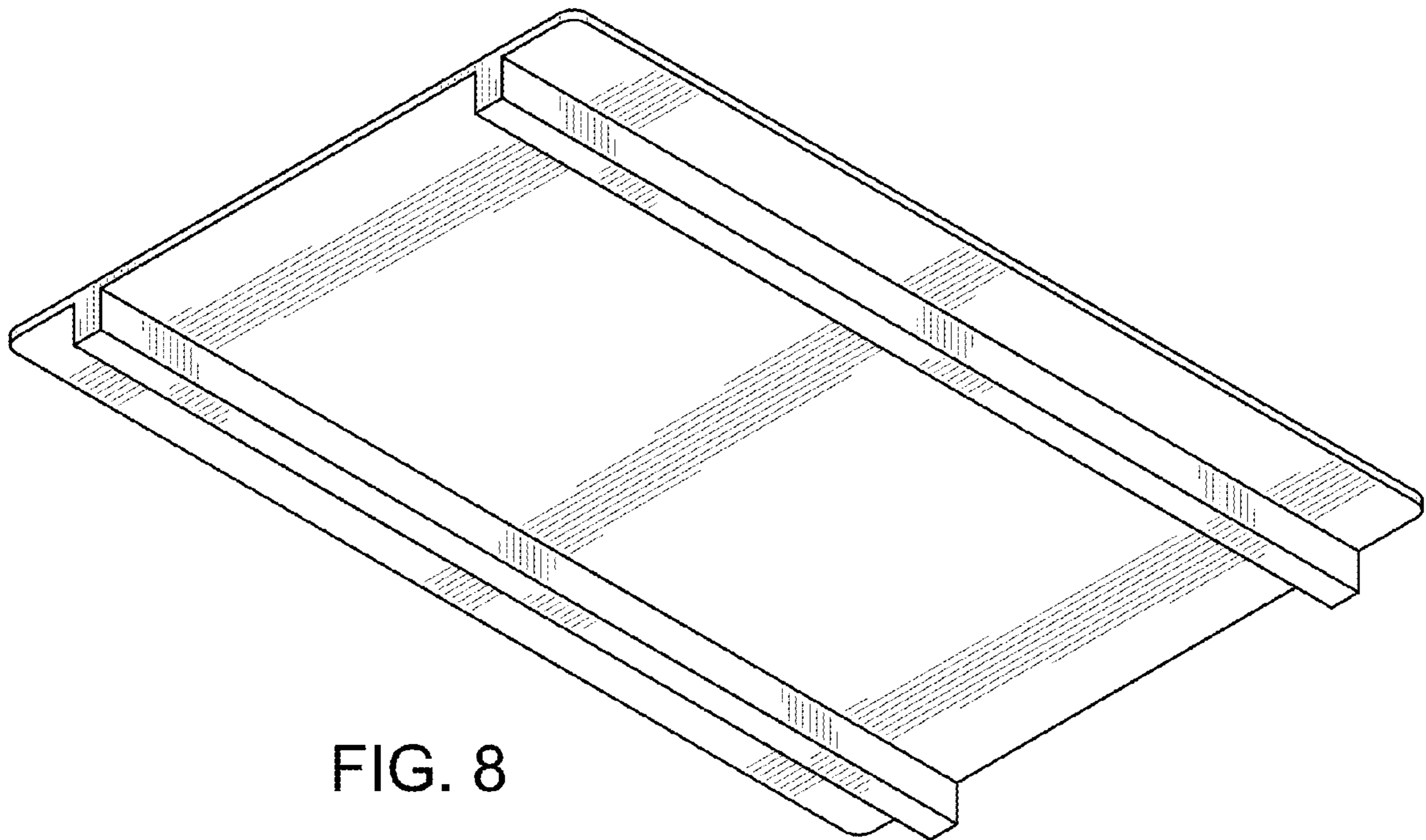


FIG. 8

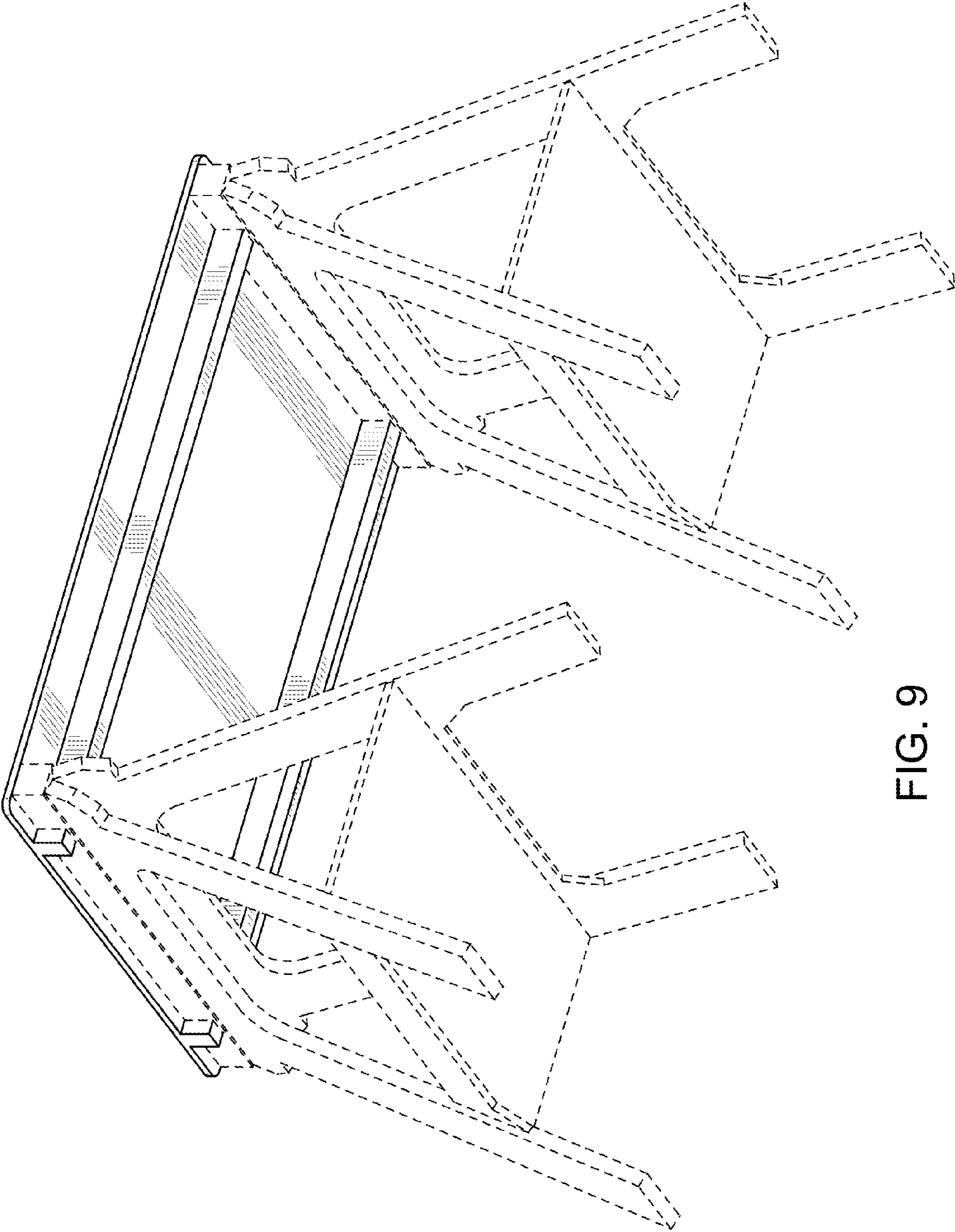


FIG. 9