



US00D927721S

(12) **United States Design Patent** (10) **Patent No.:** **US D927,721 S**
Dumler et al. (45) **Date of Patent:** **** Aug. 10, 2021**

(54) **ADULT TOY**
(71) Applicant: **EIS GmbH**, Bielefeld (DE)
(72) Inventors: **Alex Dumler**, Hamburg (DE); **Mariana Rosa Yzusqui Burkard**, Hamburg (DE); **Alexander Anderton**, Hamburg (DE); **Paul Fally**, Hamburg (DE)

D623,294 S * 9/2010 Rhoades D24/146
D666,303 S * 8/2012 Ding D24/215
D706,439 S * 6/2014 Hahr D24/215
D726,926 S * 4/2015 Matsushita D24/200
D735,870 S * 8/2015 Ban D24/188
D869,675 S * 12/2019 Hitscherich A61H 23/04
D24/215
D870,903 S * 12/2019 Weisman D24/200
D886,384 S * 6/2020 Khubani D28/59
2020/0281808 A1 * 9/2020 Kirsten A61H 23/04

(73) Assignee: **EIS GMBH**, Bielefeld (DE)

(**) Term: **15 Years**

(21) Appl. No.: **35/509,048**

(22) Filed: **Oct. 7, 2019**

(80) **Hague Agreement Data**

Int. Filing Date: **Oct. 7, 2019**

Int. Reg. No.: **DM/205763**

Int. Reg. Date: **Oct. 7, 2019**

Int. Reg. Pub. Date: **Apr. 10, 2020**

(51) **LOC (13) Cl.** **28-03**

(52) **U.S. Cl.**
USPC **D24/215**

(58) **Field of Classification Search**
USPC D24/133, 188, 200, 211–215; D28/91.1;
D9/723, 726, 727; D4/100; D14/417
CPC A61H 2201/0153; A61H 7/007; A61H
15/0085; A61H 2015/0014; A61H 7/005;
A61H 19/00; A61B 17/1325; A61F 7/00
See application file for complete search history.

(56) **References Cited**

U.S. PATENT DOCUMENTS

D358,654 S * 5/1995 Smith D24/200
D382,959 S * 8/1997 Arpe D24/133
D410,638 S * 6/1999 Sheehan D14/409
D414,582 S * 9/1999 Hwang D28/9
D448,380 S * 9/2001 Sheehan D14/409

OTHER PUBLICATIONS

Satisfyer.com, Sexy Secret, undated online product page retrieved May 21, 2021 from <URL:https://us.satisfyer.com/us/products/clit-vibrators/lay-on-vibrators/sexy-secret/> (Year: 2021).*

* cited by examiner

Primary Examiner — George D. Kirschbaum

Assistant Examiner — Calvin E Vansant

(74) *Attorney, Agent, or Firm* — Mueting Raasch Group

(57) **CLAIM**

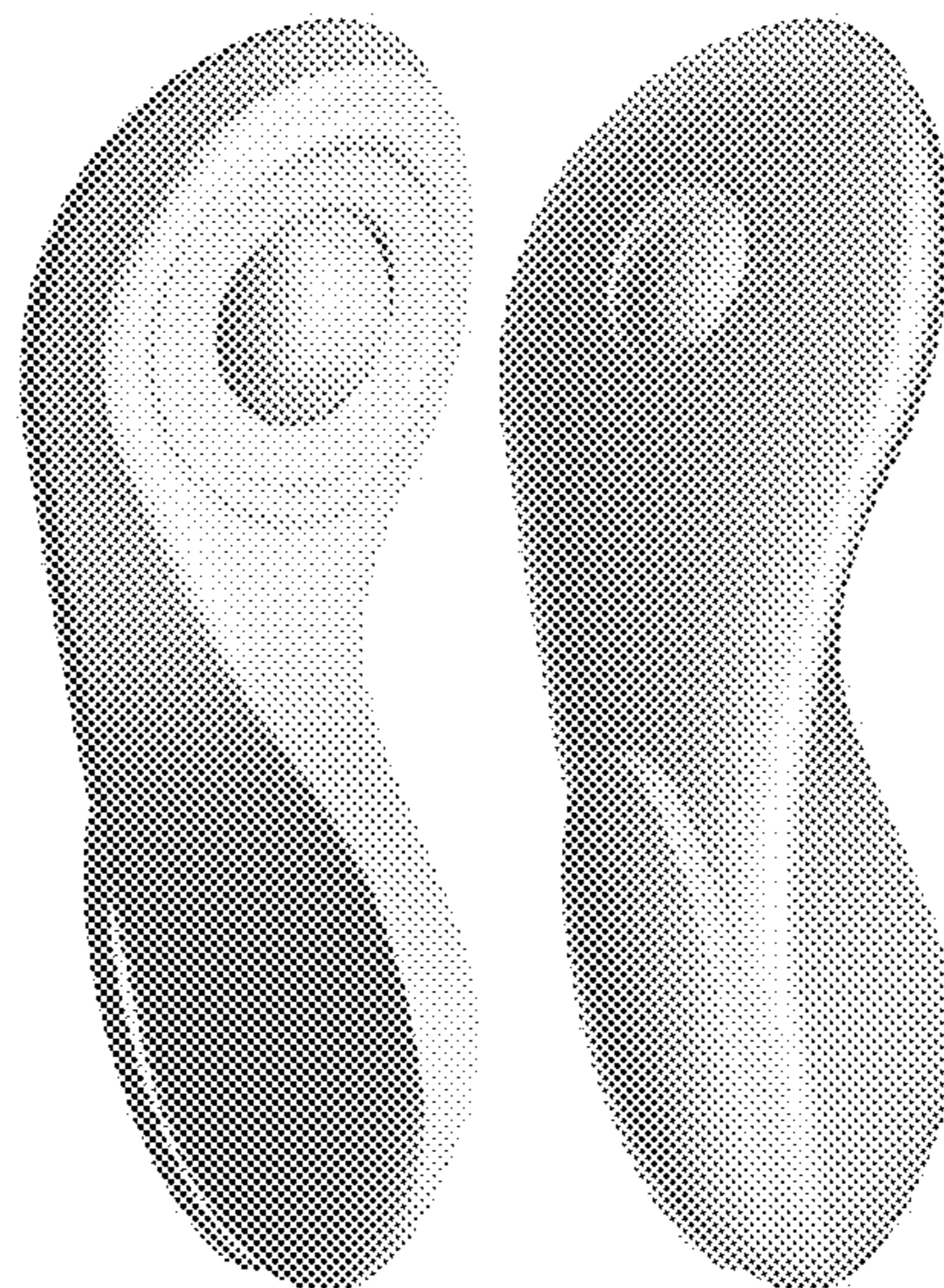
The ornamental design for an adult toy, as shown and described.

DESCRIPTION

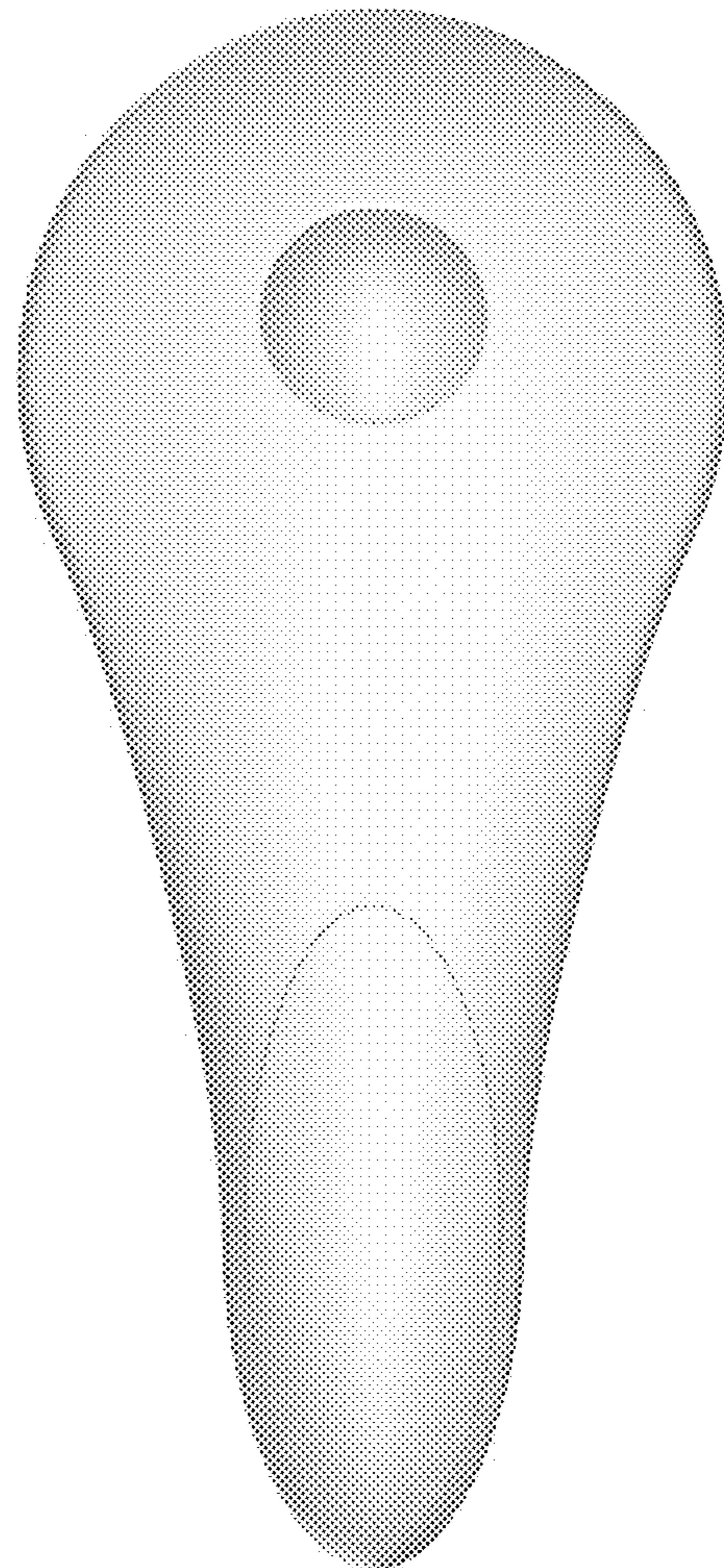
The patent or application file contains at least one drawing executed in color. Copies of this patent or patent application publication with color drawing(s) will be provided by the Office upon request and payment of the necessary fee.

- 3. Adult toy
- 3.1 is a front view.
- 3.2 is a bottom view.
- 3.3 is a rear view.
- 3.4 is a right side view.
- 3.5 is a first perspective view.
- 3.6 is a second perspective view.
- 3.7 is a top view.

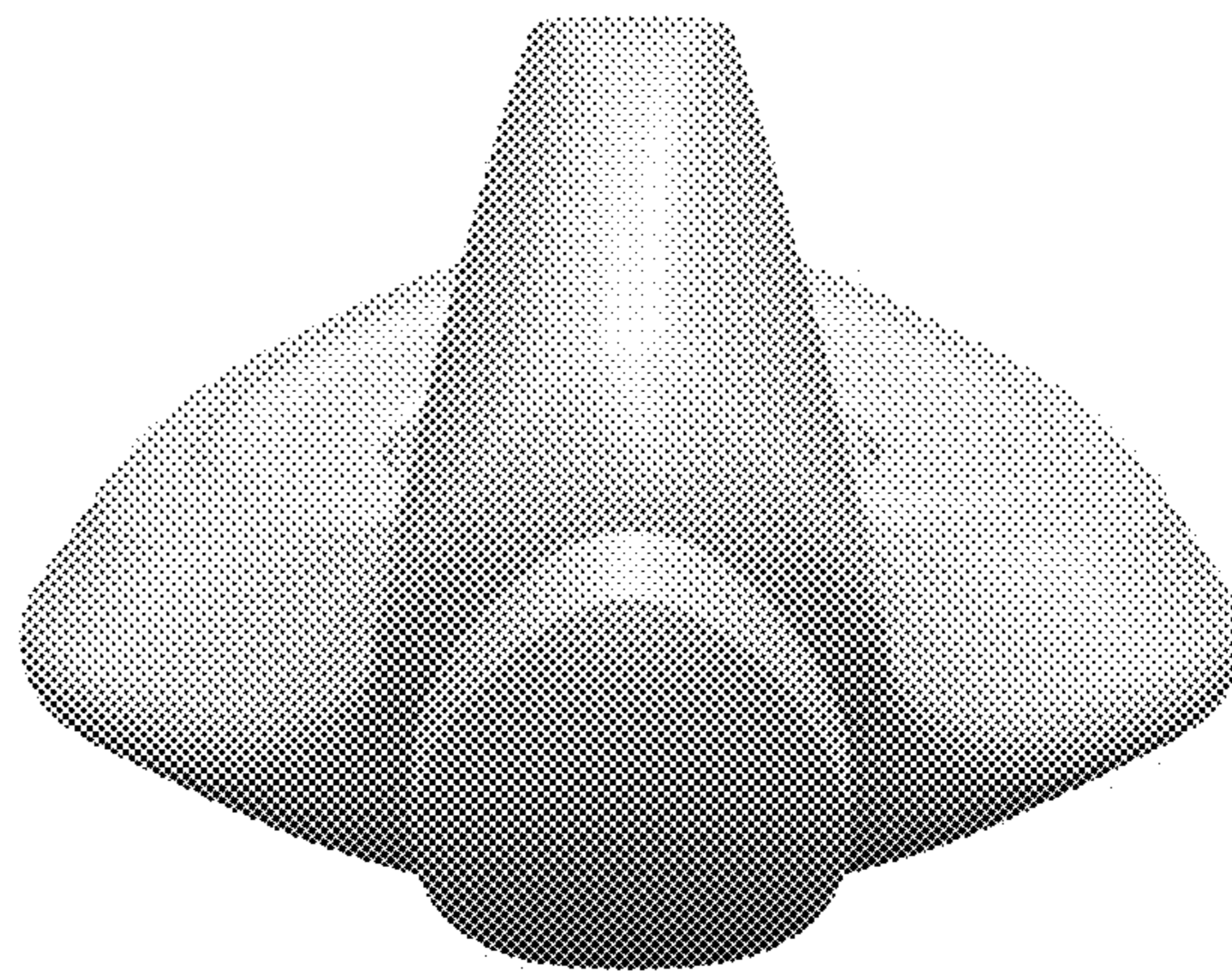
1 Claim, 7 Drawing Sheets
(7 of 7 Drawing Sheet(s) Filed in Color)



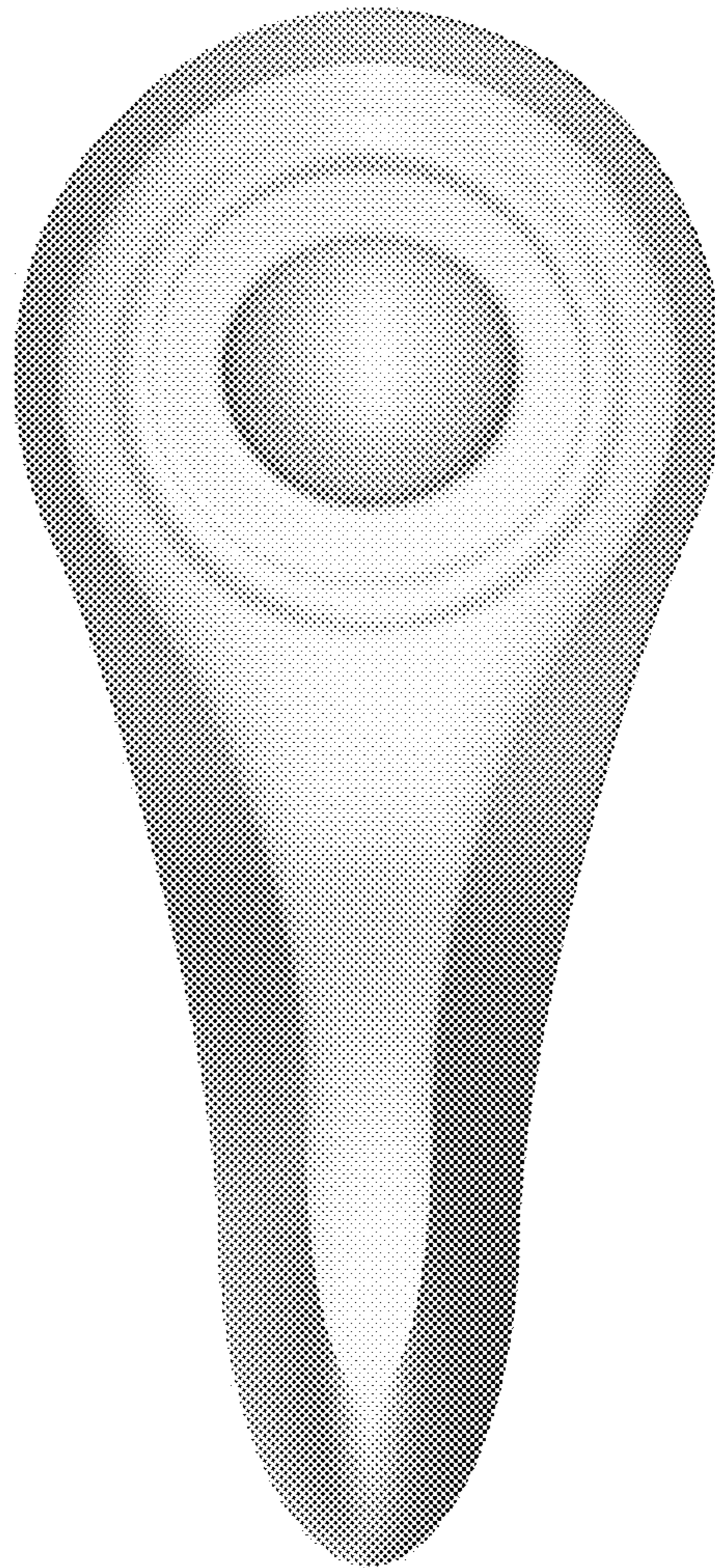
3.1



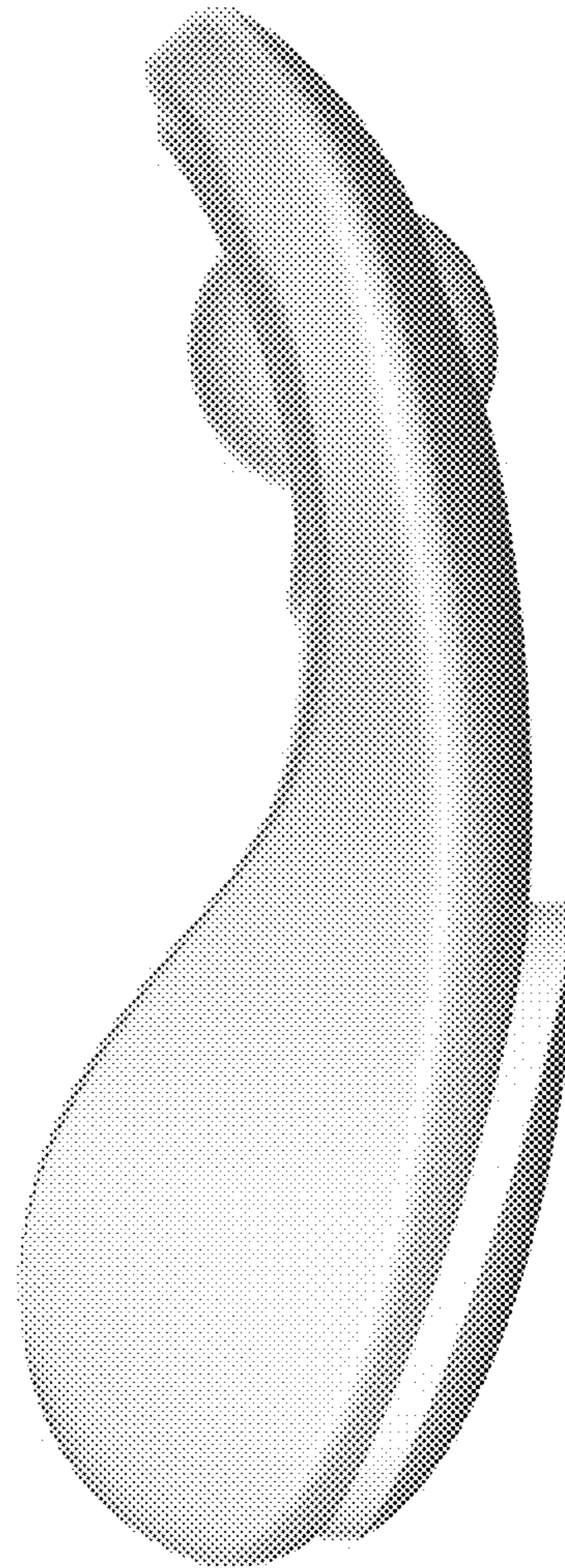
3.2



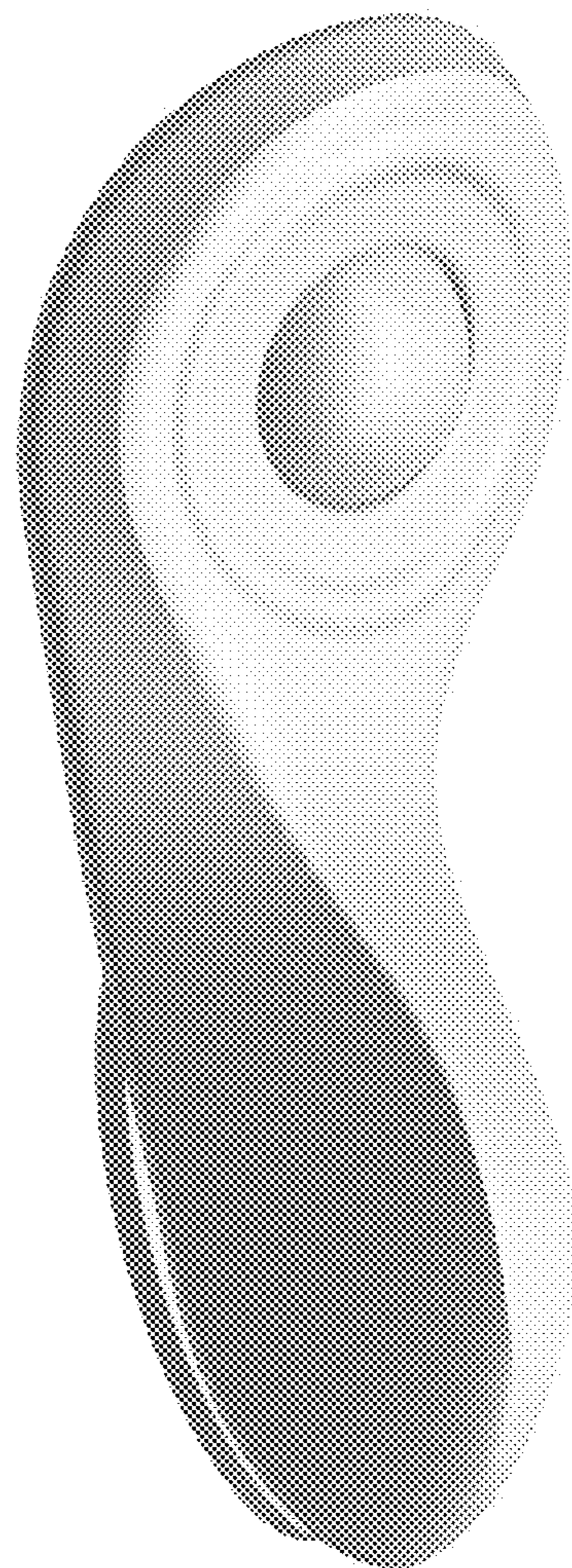
3.3



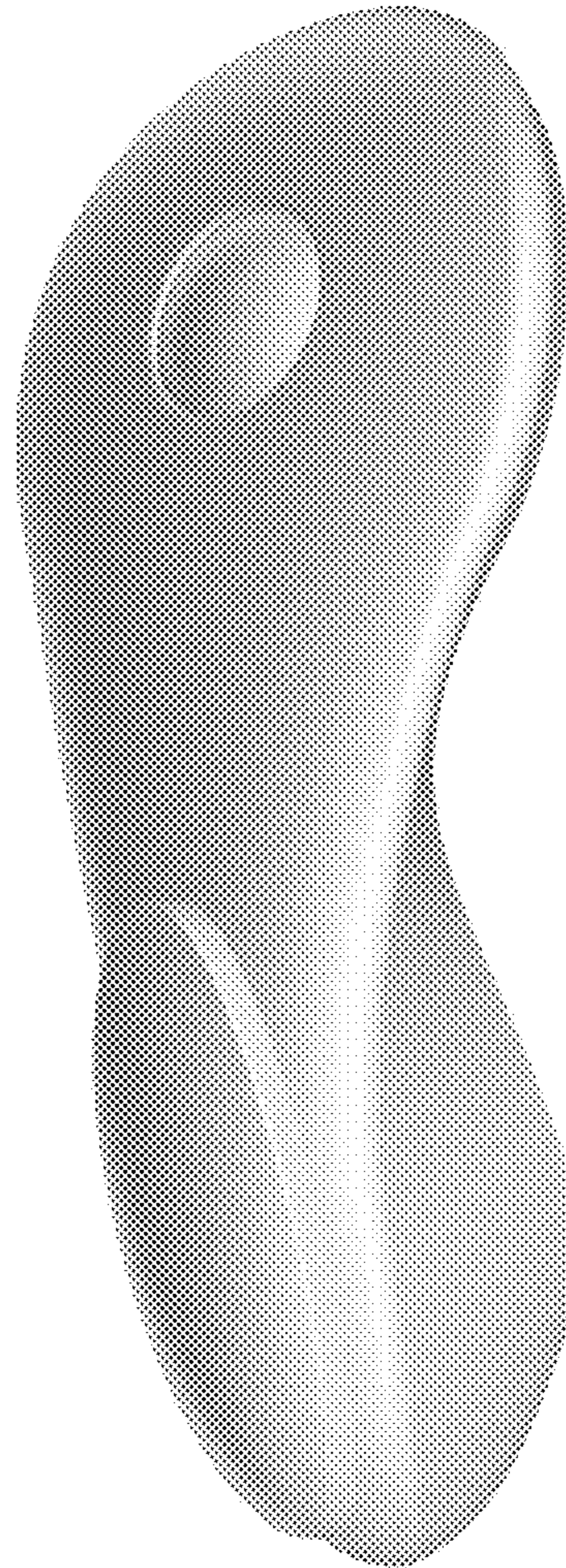
3.4



3.5



3.6



3.7

