

US00D927716S

(12) **United States Design Patent** (10) **Patent No.:** **US D927,716 S**
Wersland et al. (45) **Date of Patent:** **** Aug. 10, 2021**

(54) **MESSAGE ATTACHMENT**
(71) Applicant: **Theragun, Inc.**, Beverly Hills, CA (US)
(72) Inventors: **Jason Wersland**, Manhattan Beach, CA (US); **Benjamin Nazarian**, Beverly Hills, CA (US); **Jaime Sanchez Solana**, Los Angeles, CA (US); **Eduardo Merino**, Beverly Hills, CA (US)
(73) Assignee: **THERAGUN, INC.**, Beverly Hills, CA (US)
(**) Term: **15 Years**
(21) Appl. No.: **29/726,305**
(22) Filed: **Mar. 2, 2020**
(51) **LOC (13) Cl.** **28-03**
(52) **U.S. Cl.**
USPC **D24/215**
(58) **Field of Classification Search**
USPC D24/200, 209, 211, 212, 213, 214, 215;
D7/393; D8/307, 310, 378; D9/435, 439
CPC . A61H 2201/0119; A61H 7/002; A61H 7/007
See application file for complete search history.

D845,500 S * 4/2019 Wersland D24/211
D849,260 S * 5/2019 Wersland D24/211
D849,261 S * 5/2019 Wersland D24/211
D850,639 S * 6/2019 Wersland D24/211
D850,640 S * 6/2019 Wersland D24/211
D859,680 S * 9/2019 Wersland D24/211
D861,182 S * 9/2019 Wersland D24/211
D861,260 S * 9/2019 Cunniff D30/199
D872,295 S * 1/2020 Friedman D24/215
D890,942 S * 7/2020 Wersland D24/211
D890,943 S * 7/2020 Wersland D24/211
D896,393 S * 9/2020 Wersland D24/211
10,758,452 B2 * 9/2020 Wersland A61H 1/00
D899,926 S * 10/2020 Guduru D9/439
D904,636 S * 12/2020 Delassus D24/214
D910,870 S * 2/2021 Marton D24/215
D914,229 S * 3/2021 Takeuchi D24/215

(Continued)

Primary Examiner — Cynthia Ramirez
Assistant Examiner — Michael A Maharajh
(74) *Attorney, Agent, or Firm* — Jeffer Mangels Butler & Mitchell LLP; Brennan C. Swain, Esq.

(57) **CLAIM**

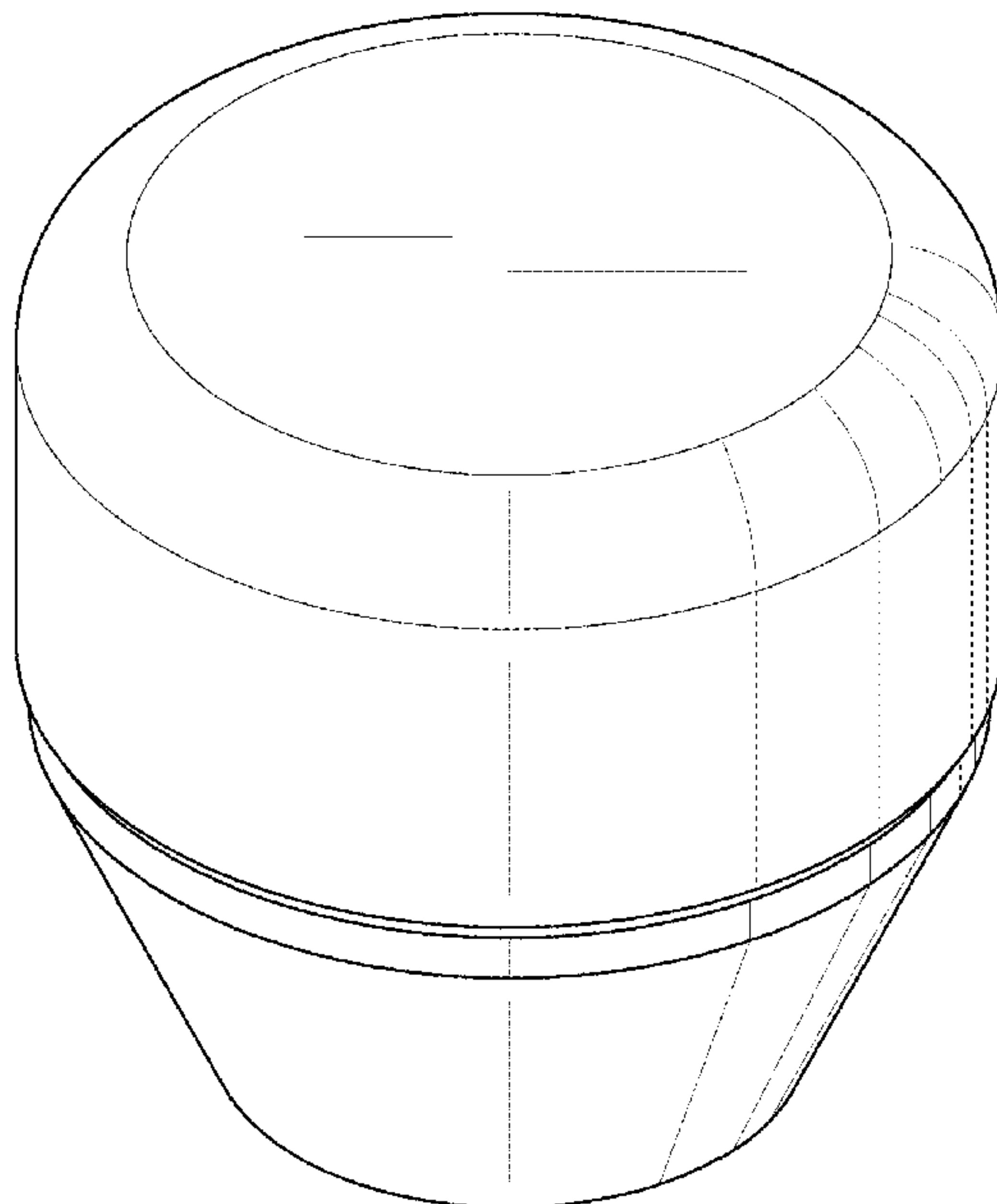
The ornamental design for a massage attachment, as shown and described.

DESCRIPTION

FIG. 1 is a top perspective view of a massage attachment, showing our new design;
FIG. 2 is a top plan view thereof;
FIG. 3 is a bottom plan view thereof;
FIG. 4 is a front elevational view, the rear, right side and left side elevational views being mirror images thereof; and,
FIG. 5 is a bottom perspective view thereof.
The broken lines shown in the figures are for the purpose of illustrating portions of the massage attachment that form no part of the claimed design.

1 Claim, 4 Drawing Sheets

(56) **References Cited**
U.S. PATENT DOCUMENTS
D285,116 S * 8/1986 Hoff D24/214
D357,322 S * 4/1995 Matthews D24/200
D444,882 S * 7/2001 Chen D24/211
D444,883 S * 7/2001 Chen D24/211
D580,756 S * 11/2008 Seebold D9/439
D592,036 S * 5/2009 Domin D8/307
D600,177 S * 9/2009 Komiyama D12/179
D729,063 S * 5/2015 Koop D9/439
D771,468 S * 11/2016 Gallagher D8/307
D791,958 S * 7/2017 Ho D24/200
D825,067 S * 8/2018 Ho D24/200



(56)

References Cited

U.S. PATENT DOCUMENTS

D914,477 S * 3/2021 Watson D8/310
10,940,081 B2 * 3/2021 Nazarian A61H 1/00
D918,404 S * 5/2021 Wersland D24/211
D918,405 S * 5/2021 Wersland D24/211
2004/0260213 A1 * 12/2004 Szczepanski A61H 15/0085
601/46
2019/0015294 A1 * 1/2019 Nazarian A61H 15/0085
2019/0017528 A1 * 1/2019 Wersland A61H 23/00
2019/0350793 A1 * 11/2019 Wersland A61H 23/006
2020/0352821 A1 * 11/2020 Wersland A61H 23/006
2021/0085555 A1 * 3/2021 Davis A61H 1/00

* cited by examiner

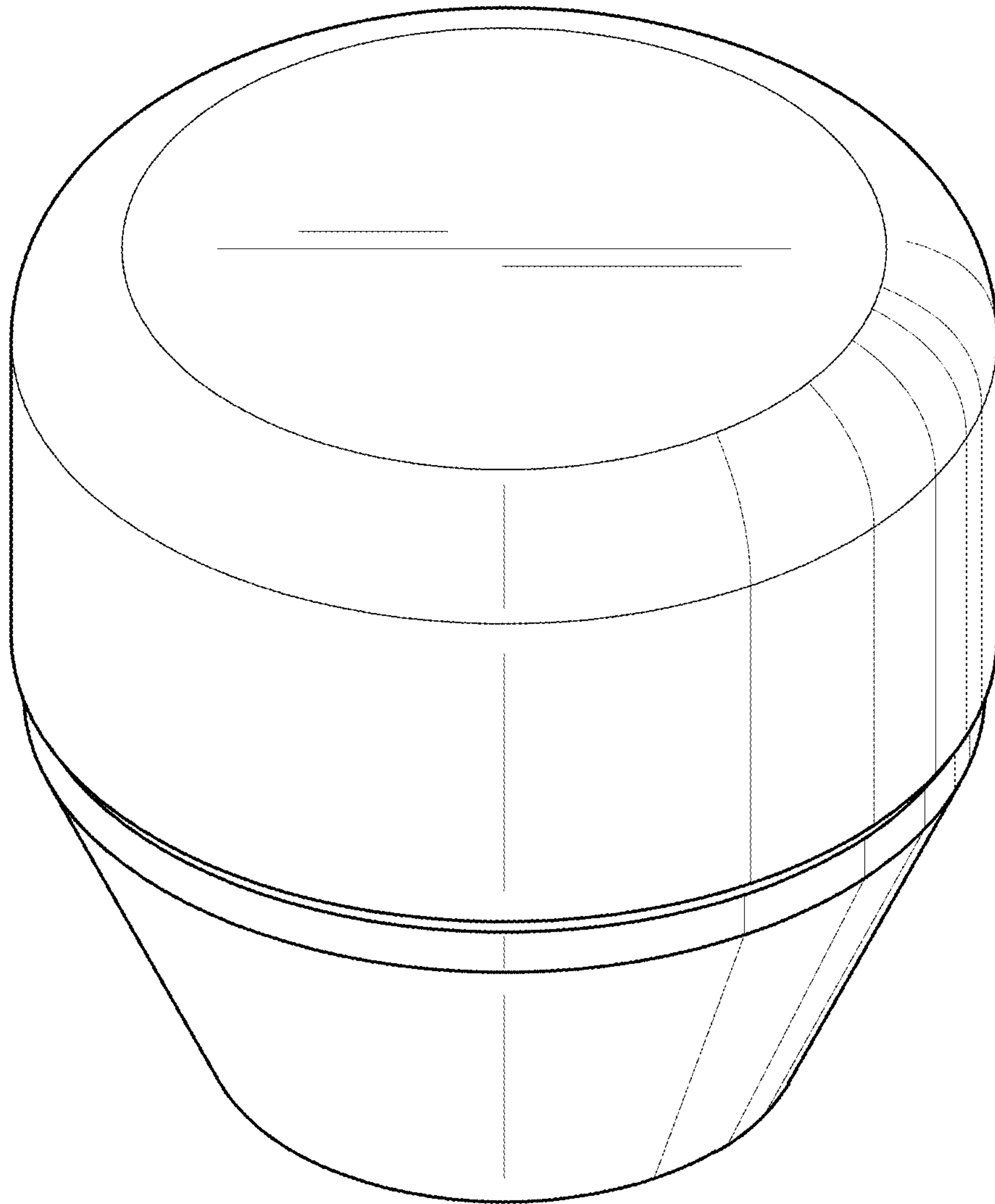


FIG. 1

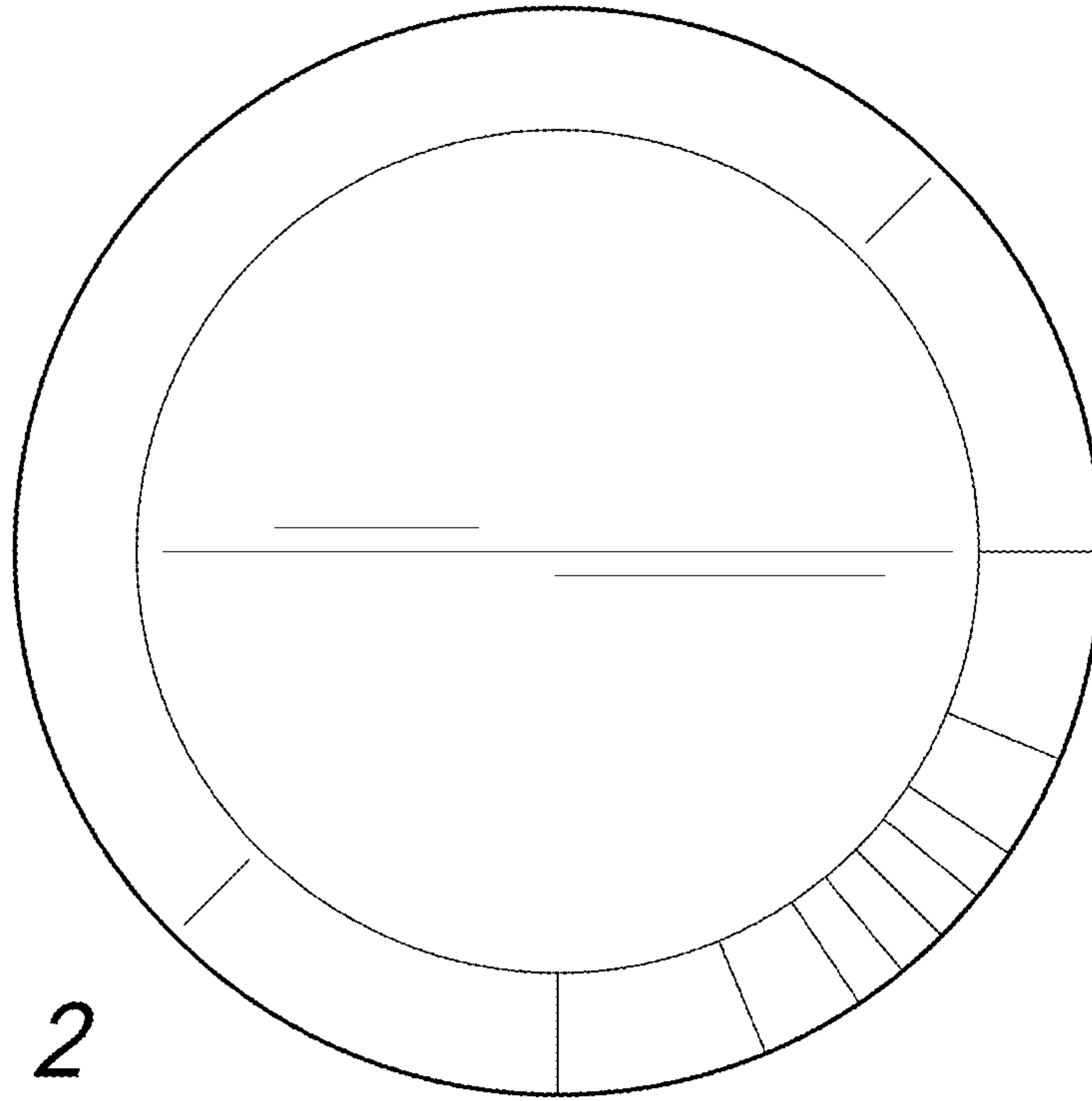


FIG. 2

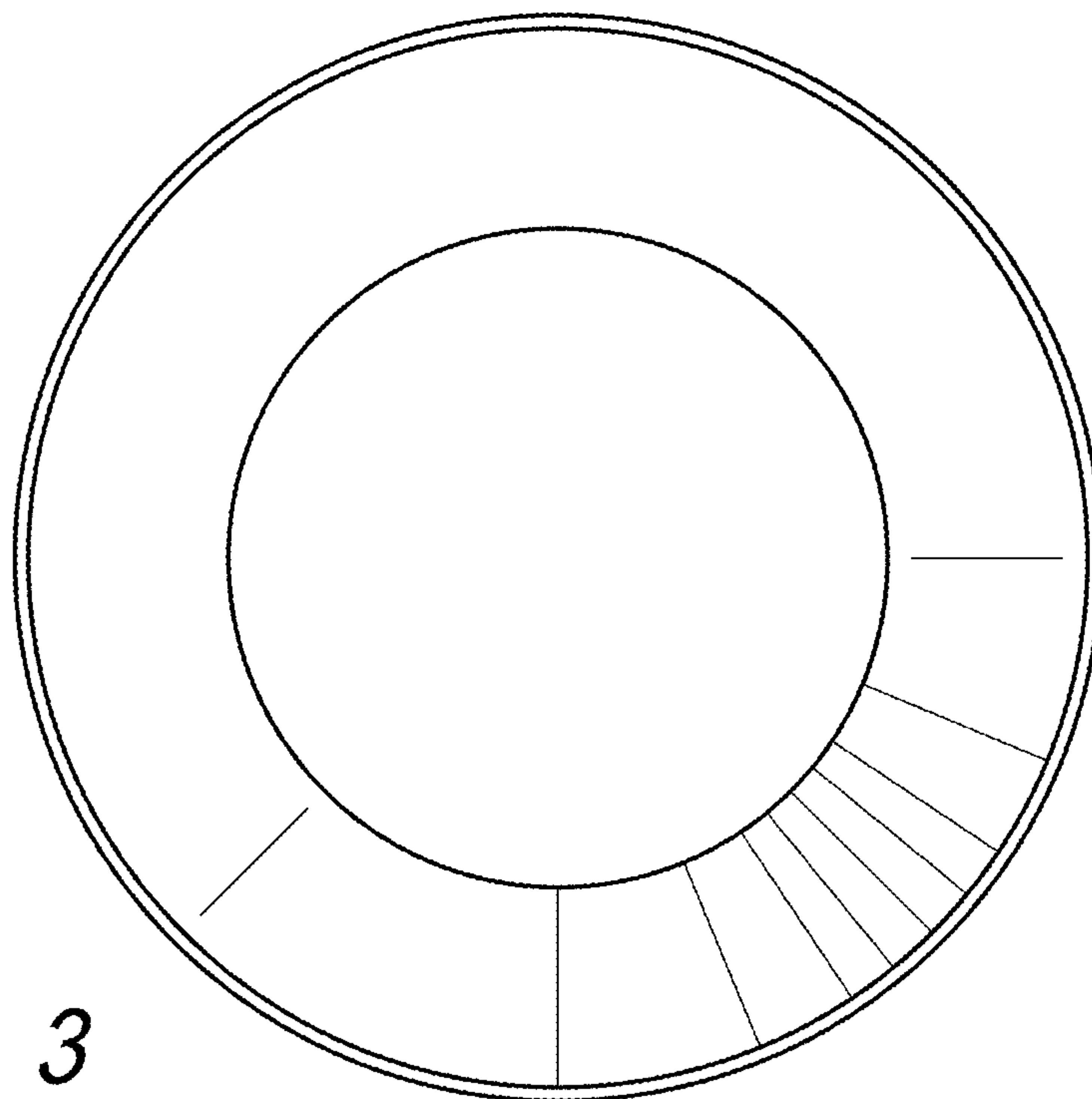


FIG. 3

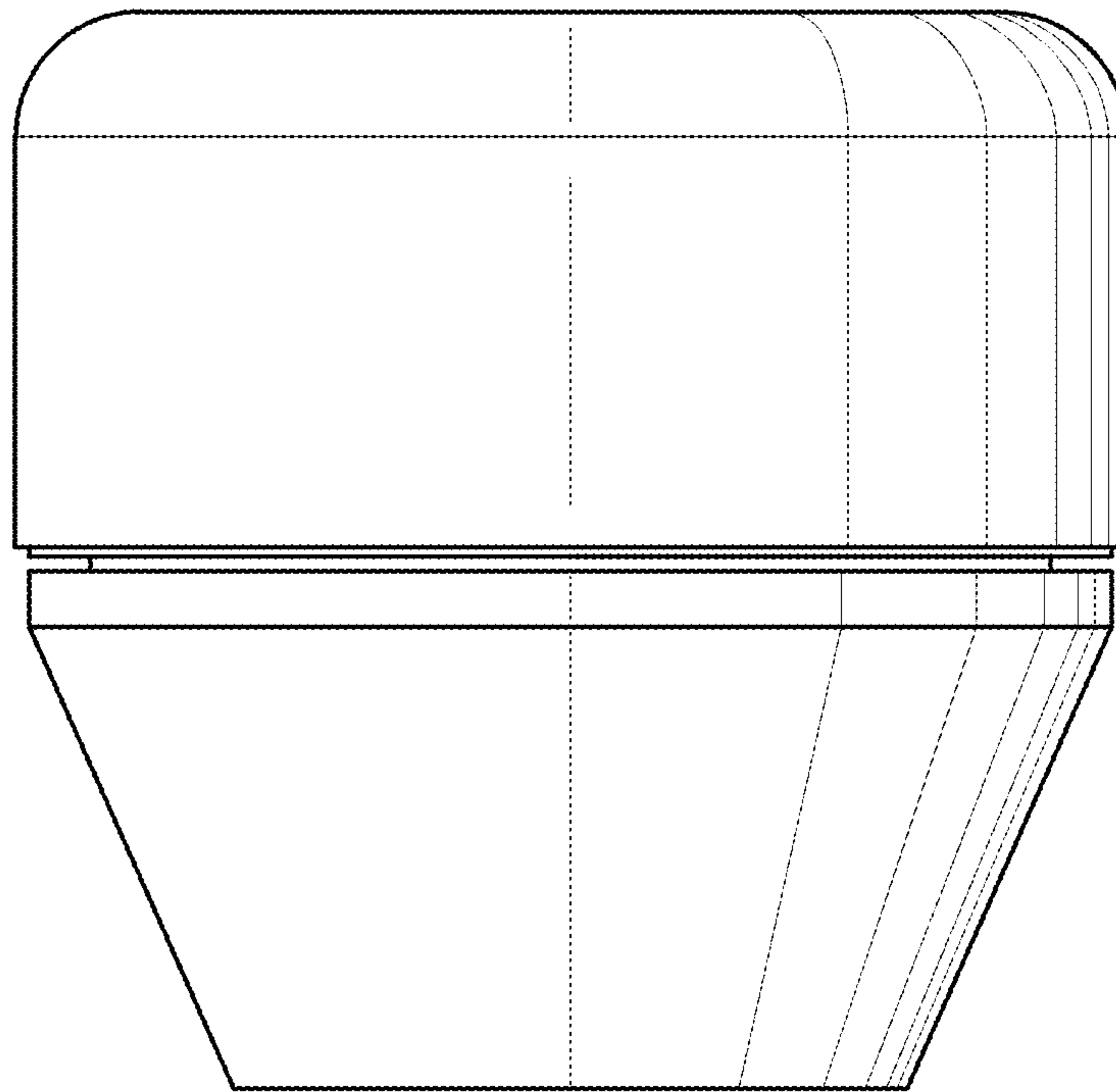


FIG. 4

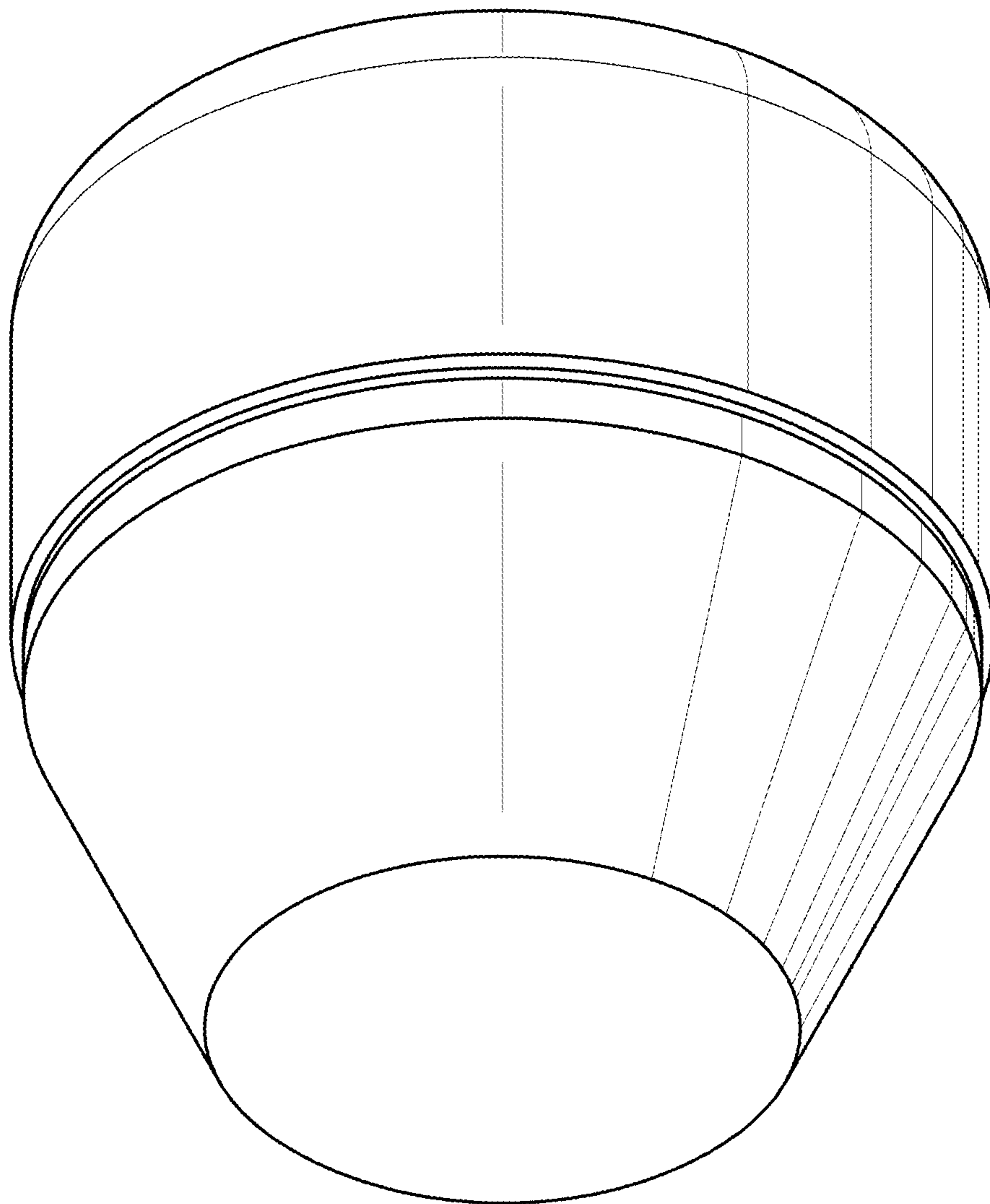


FIG. 5