



US00D927715S

(12) **United States Design Patent**
Li

(10) **Patent No.:** **US D927,715 S**
(45) **Date of Patent:** **** Aug. 10, 2021**

- (54) **FASCIA GUN**
- (71) Applicant: **Gangxuan Li**, Yongkang (CN)
- (72) Inventor: **Gangxuan Li**, Yongkang (CN)
- (**) Term: **15 Years**
- (21) Appl. No.: **29/724,722**
- (22) Filed: **Feb. 19, 2020**
- (51) **LOC (13) Cl.** **28-03**
- (52) **U.S. Cl.**
USPC **D24/215**
- (58) **Field of Classification Search**
USPC D24/215, 200, 211, 212, 213, 214, 133,
D24/188, 107, 231; D8/14.1; D28/13
CPC A61H 9/00; A61H 9/005; A61H 9/0007;
A61H 2015/0007; A61H 2015/0042;
A61H 15/0092; A61H 23/00; A61H
23/006; A61H 2023/002; A61H 23/06;
A61H 23/0254; A61H 23/02; A61H
2201/0153; A61H 2201/0157; A61H
7/005; A61H 7/003; A61H 1/00; A61H
1/008

See application file for complete search history.

(56) **References Cited**

U.S. PATENT DOCUMENTS

- D641,220 S * 7/2011 Shi D8/29.1
- D791,407 S * 7/2017 Smith D28/13
- D829,519 S * 10/2018 Teraoka D8/29.1
- D875,961 S * 2/2020 Li D24/211
- D884,207 S * 5/2020 Ma D24/215
- D893,738 S * 8/2020 Zhuang D24/215
- D895,135 S * 9/2020 Xu D24/215
- D895,831 S * 9/2020 Chen D24/215
- D899,684 S * 10/2020 Chen D28/13

- D905,863 S * 12/2020 Lin D24/215
- D906,533 S * 12/2020 Xu D24/215
- D914,967 S * 3/2021 Huang D28/13

OTHER PUBLICATIONS

Fusion FX Heated Percussion Massage Gun. Date: Nov. 4, 2019. [online], [Site visited Apr. 23, 2021], Available from Internet URL: <https://www.amazon.com/dp/B07VTBRX97?th=1> (Year: 2019).*

Portable Muscle Massage Device. Date: Jan. 9, 2020. [online], [Site visited Apr. 23, 2021], Available from Internet URL: <https://www.amazon.co.uk/dp/B083NBVP8Q/> (Year: 2020).*

Fascia Guns. (Design —© Questel) orbit.com. [Online PDF compilation of references selected by examiner] 43 pgs. Print Dates Range Feb. 21, 2020-Jan. 7, 2020 [Retrieved Apr. 23, 2021] <https://www.orbit.com/export/UCZAH96B/pdf4/7b5f4ccb-3344-41ce-bf43-cb143929dc57-194857.pdf> (Year: 2021).*

* cited by examiner

Primary Examiner — Susan Bennett Hattan
Assistant Examiner — Landon Thomas Cassell

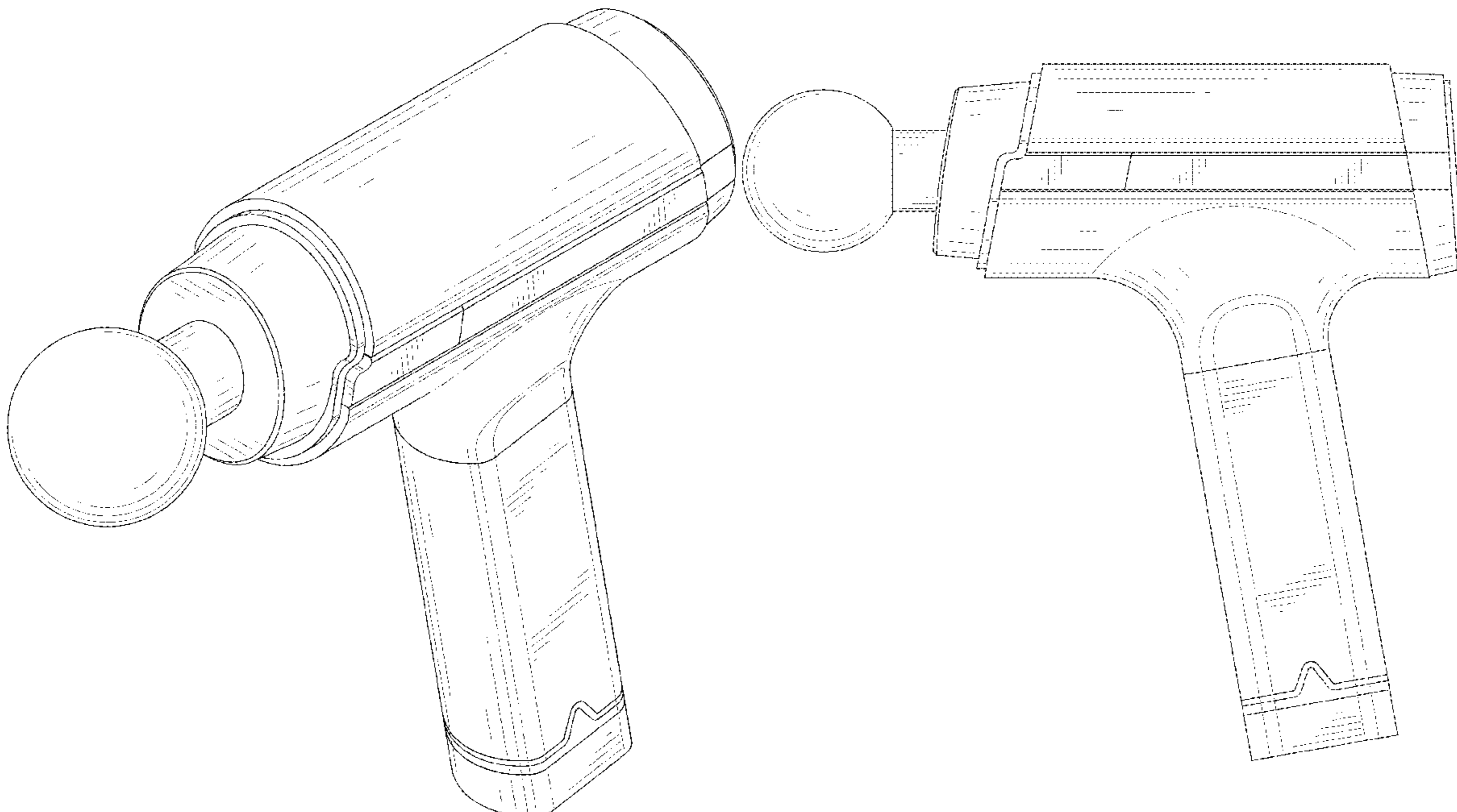
(57) **CLAIM**

The ornamental design for a fascia gun, as shown and described.

DESCRIPTION

FIG. 1 is a perspective view of a fascia gun showing my new design;
FIG. 2 is a front view thereof;
FIG. 3 is a back view thereof;
FIG. 4 is a left side view thereof;
FIG. 5 is a right side view thereof;
FIG. 6 is a top view thereof; and,
FIG. 7 is a bottom view thereof.

1 Claim, 7 Drawing Sheets



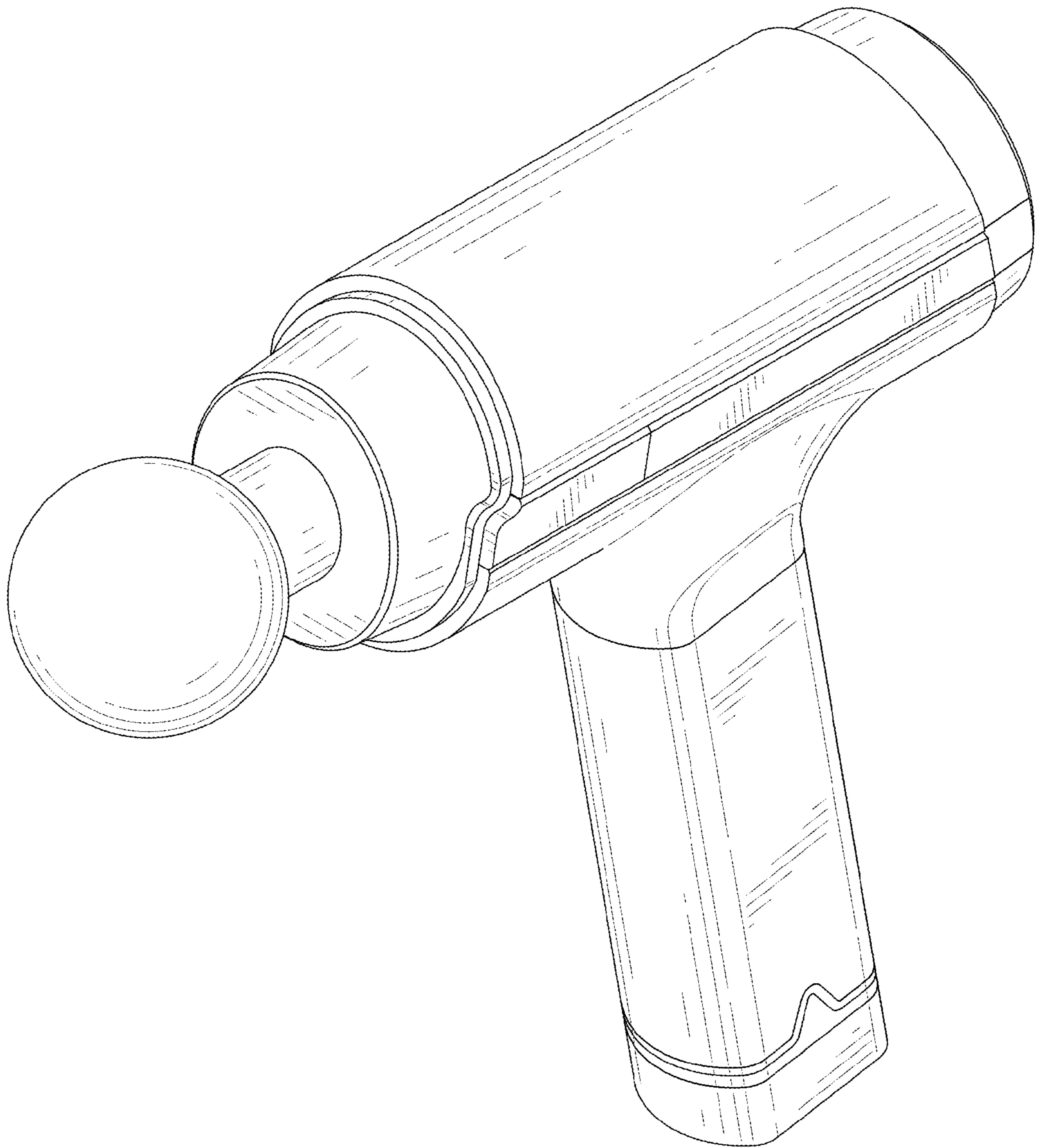


FIG. 1

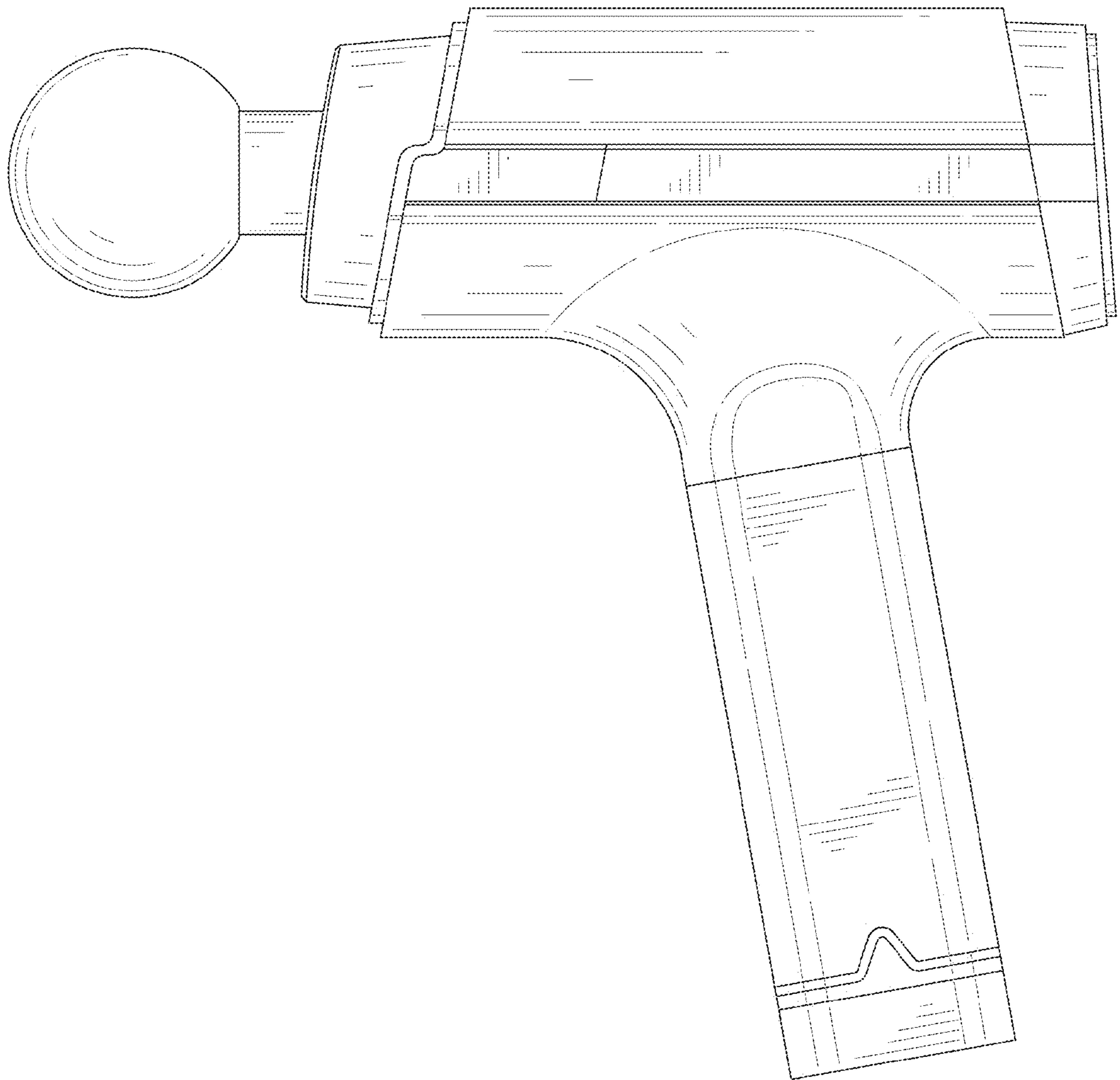


FIG. 2

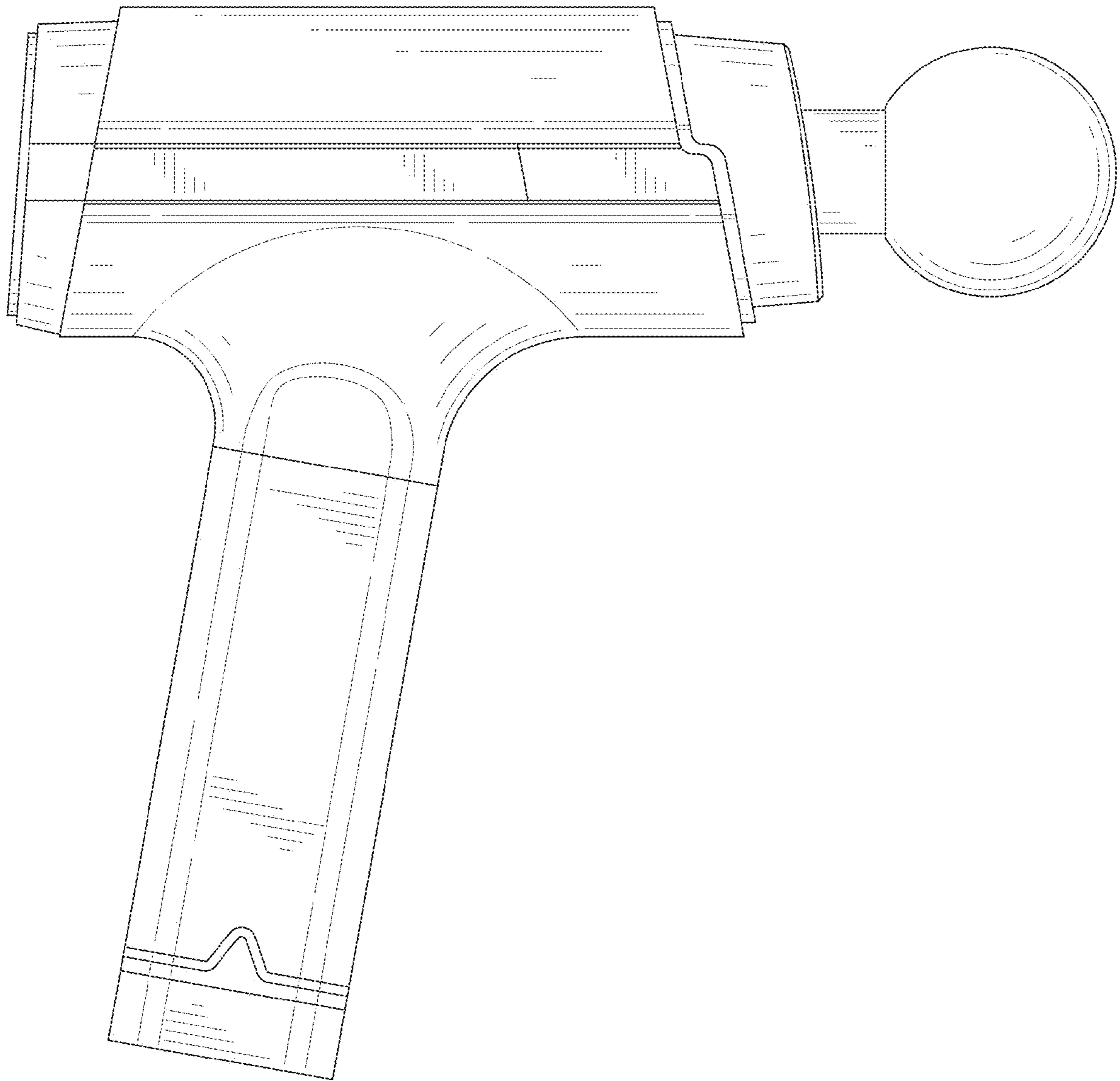


FIG. 3

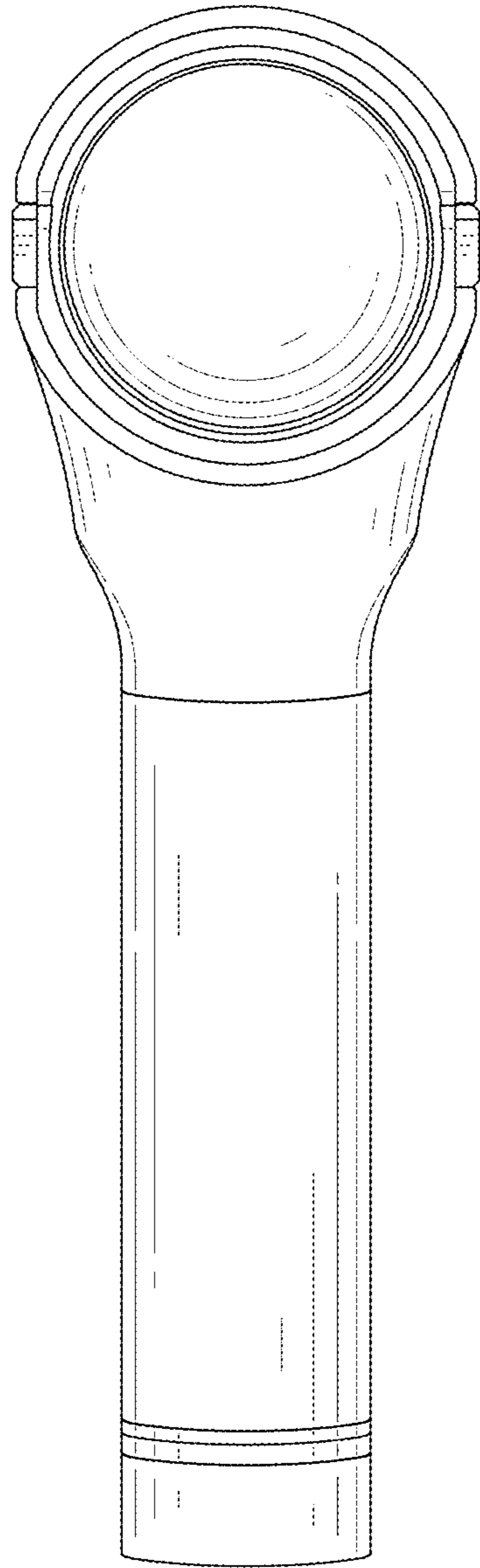


FIG. 4

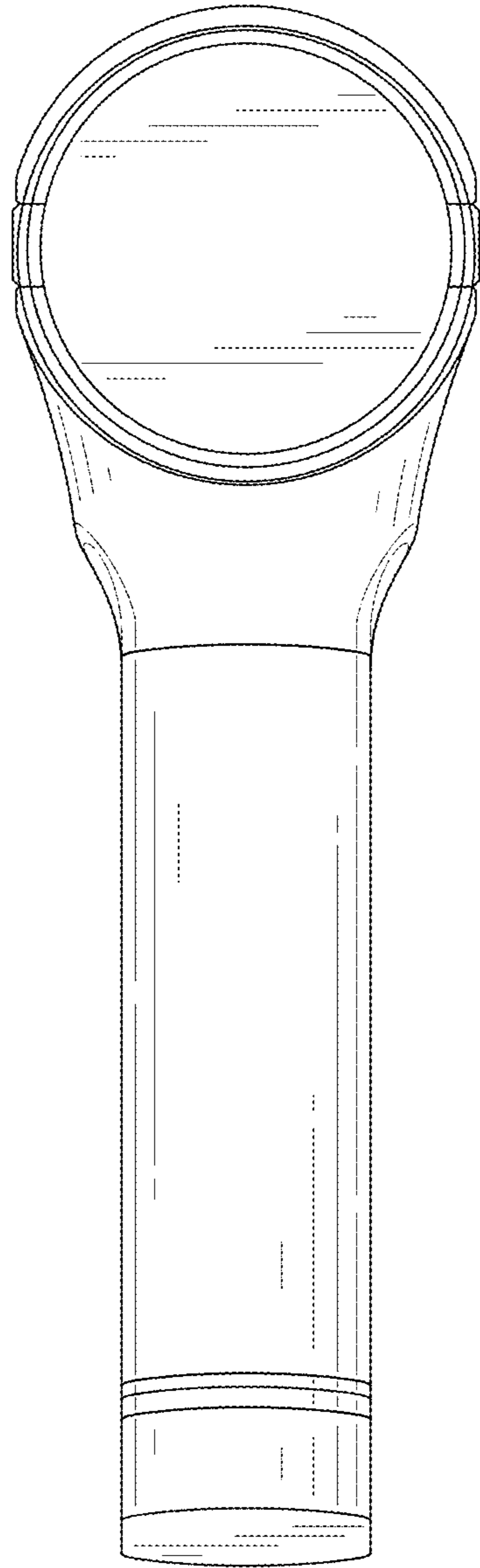


FIG. 5

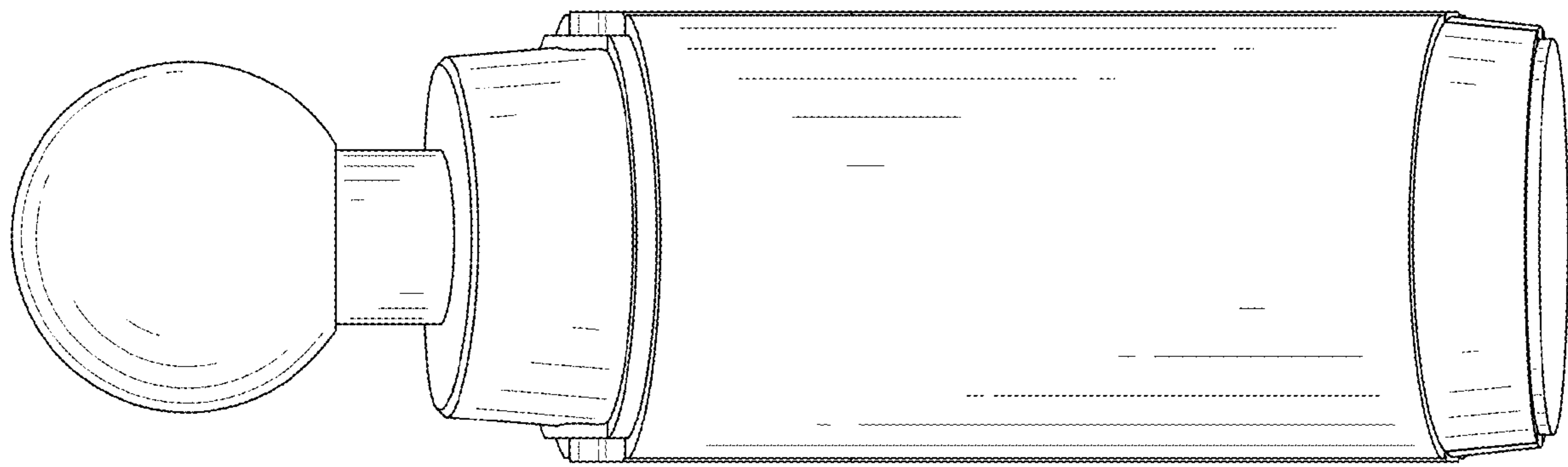


FIG. 6

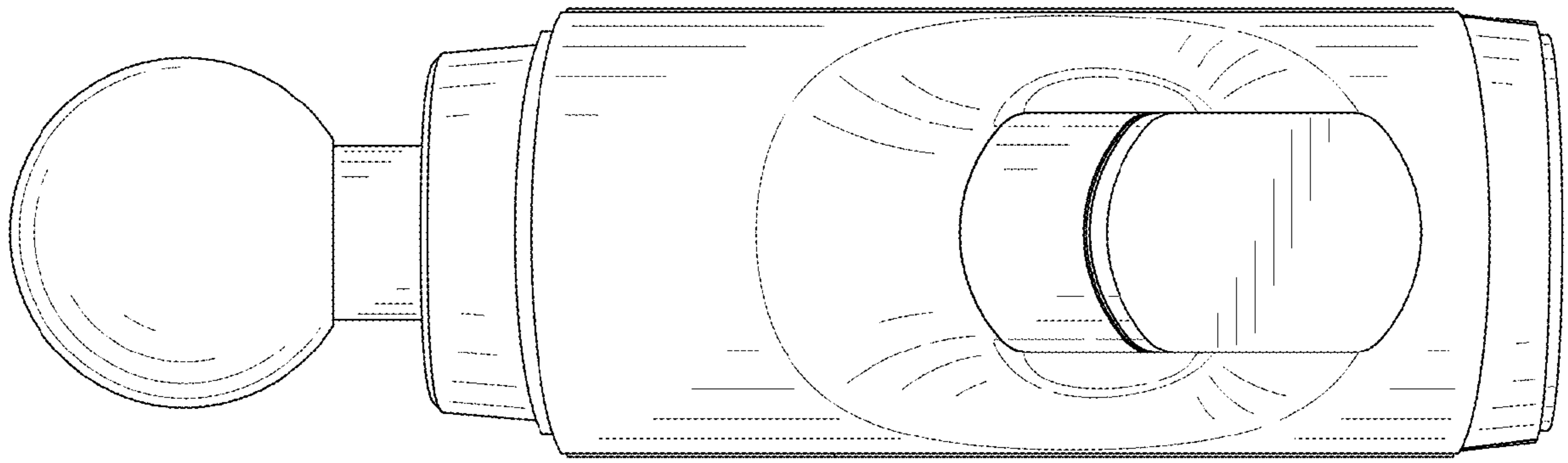


FIG. 7