



US00D927714S

(12) **United States Design Patent** (10) **Patent No.:** **US D927,714 S**
Li (45) **Date of Patent:** **** Aug. 10, 2021**

(54) **FASCIA GUN**
(71) Applicant: **Gangxuan Li**, Yongkang (CN)
(72) Inventor: **Gangxuan Li**, Yongkang (CN)
(**) Term: **15 Years**
(21) Appl. No.: **29/702,669**
(22) Filed: **Aug. 21, 2019**
(30) **Foreign Application Priority Data**
Jul. 20, 2019 (CN) 201930386549.2
(51) **LOC (13) Cl.** **28-03**
(52) **U.S. Cl.**
USPC **D24/215**
(58) **Field of Classification Search**
USPC D24/200, 211, 212, 213, 214, 215;
D8/14.1
CPC A61H 1/00; A61H 23/006; A61H 39/04;
A61H 23/00
See application file for complete search history.

(56) **References Cited**
U.S. PATENT DOCUMENTS
D289,968 S * 5/1987 Somers D8/14.1
D553,252 S * 10/2007 Masuda D24/214
D847,364 S * 4/2019 Lee D24/215
10,314,762 B1 * 6/2019 Marton A61H 23/004
D855,822 S * 8/2019 Marton D24/215
D866,790 S * 11/2019 Lee D24/215
D872,869 S * 1/2020 Lu D24/215
D873,432 S * 1/2020 Duan D24/214
D874,015 S * 1/2020 Marton D24/215
D875,961 S * 2/2020 Li D24/211
D879,985 S * 3/2020 Wersland D24/214
D879,986 S * 3/2020 Wersland D24/214
D880,714 S * 4/2020 Wersland D24/215
D880,715 S * 4/2020 Wersland D24/215

D880,716 S * 4/2020 Wersland D24/215
D884,205 S * 5/2020 Zhuang D24/215
D884,207 S * 5/2020 Ma D24/215
D884,915 S * 5/2020 Wersland D24/215
D885,601 S * 5/2020 Wersland D24/215
D886,317 S * 6/2020 Marton D24/215
D887,573 S * 6/2020 Wersland D24/215
D893,738 S * 8/2020 Zhuang D24/215
D895,132 S * 9/2020 Hu D24/215
D895,133 S * 9/2020 Xu D24/215
D895,135 S * 9/2020 Xu D24/215
D895,829 S * 9/2020 Hu D24/215
D895,831 S * 9/2020 Chen D24/215
D896,396 S * 9/2020 Wersland D24/215
D898,209 S * 10/2020 Xu D24/214
D898,933 S * 10/2020 Xu D24/215
D899,620 S * 10/2020 Huang D24/215
2018/0200141 A1 * 7/2018 Wersland A61H 23/0254

(Continued)

Primary Examiner — Cynthia Ramirez
Assistant Examiner — Michael A Maharajh
(74) *Attorney, Agent, or Firm* — Muncy, Geissler, Olds & Lowe, PC

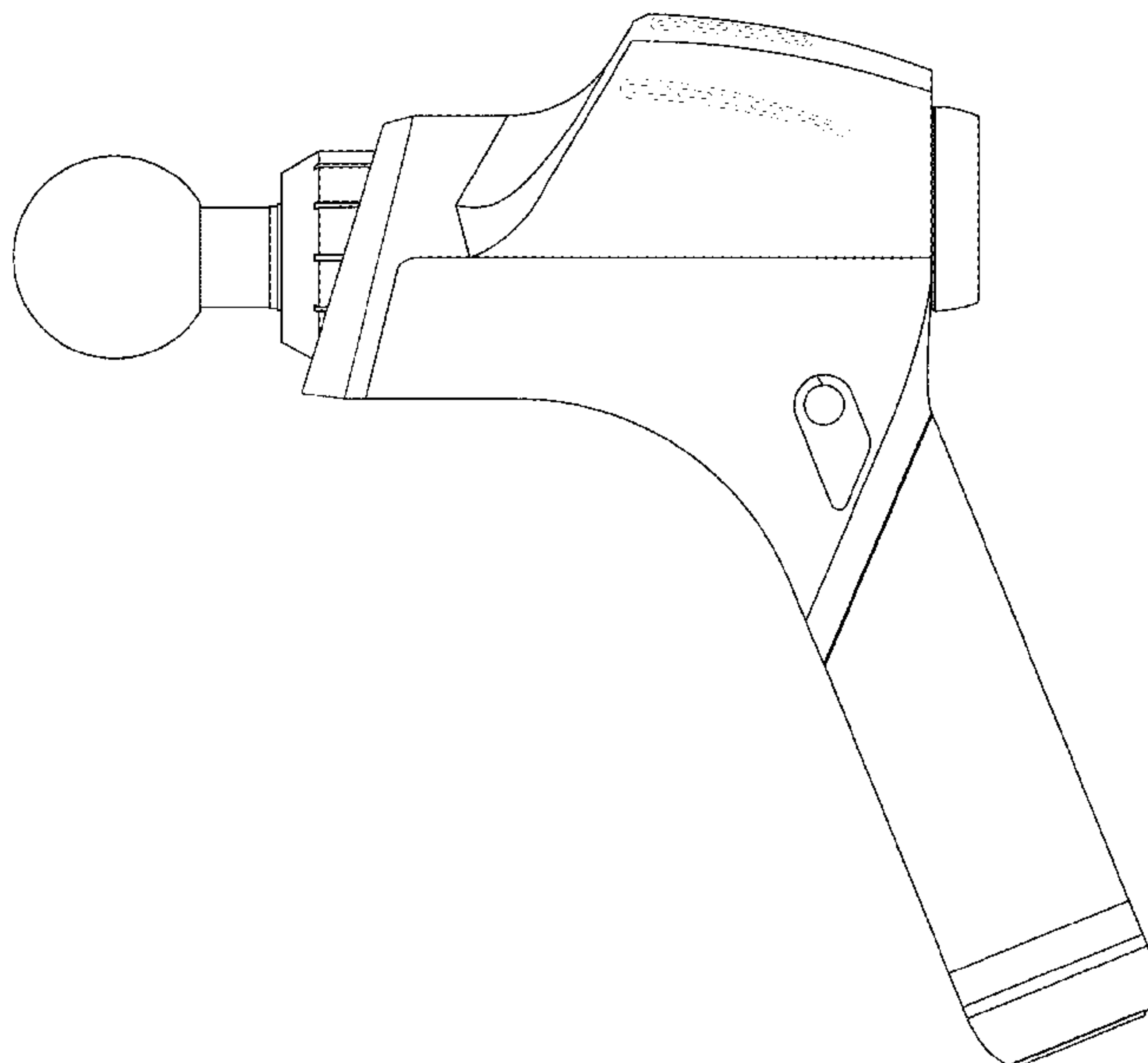
(57) **CLAIM**

The ornamental design for a fascia gun, as shown and described.

DESCRIPTION

FIG. 1 is a front elevational view of a fascia gun showing my new design;
FIG. 2 is a rear elevational view thereof;
FIG. 3 is a left side view thereof;
FIG. 4 is a right side view thereof;
FIG. 5 is a top plan view thereof;
FIG. 6 is a bottom plan view thereof; and,
FIG. 7 is a perspective view thereof.
The broken lines shown in the figures are for the purpose of illustrating portions of the fascia gun which form no part of the claimed design.

1 Claim, 7 Drawing Sheets



(56)

References Cited

U.S. PATENT DOCUMENTS

2019/0254921 A1* 8/2019 Marton A61H 23/006
2020/0069510 A1* 3/2020 Wersland A61H 15/0085
2020/0085675 A1* 3/2020 Lee A61H 1/00
2020/0214930 A1* 7/2020 Wersland A61H 1/00
2020/0261307 A1* 8/2020 Wersland A61H 1/00
2020/0268594 A1* 8/2020 Pepe A61H 23/0254
2020/0343746 A1* 10/2020 Solana H02J 7/0044

* cited by examiner

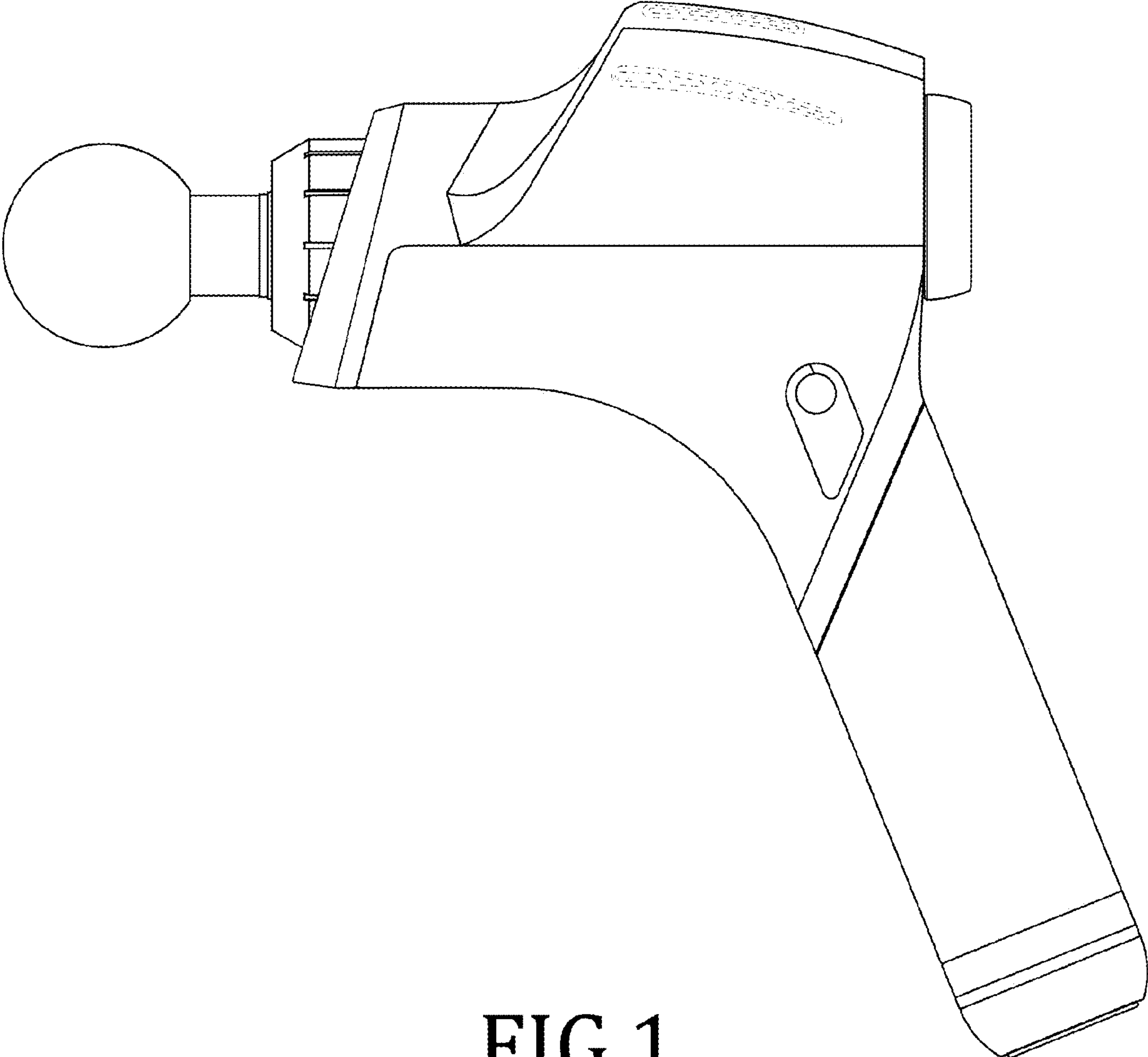


FIG. 1

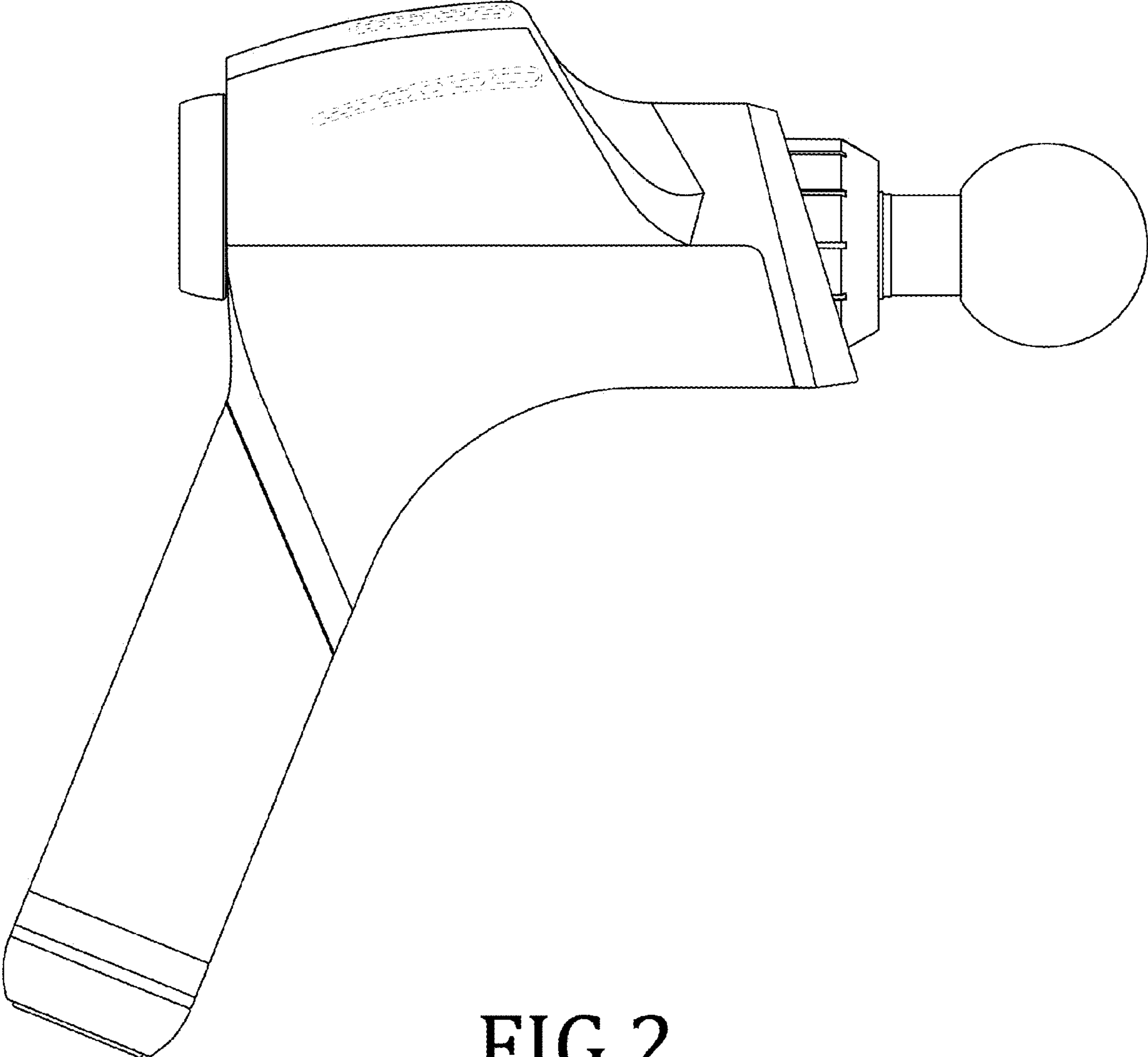


FIG.2

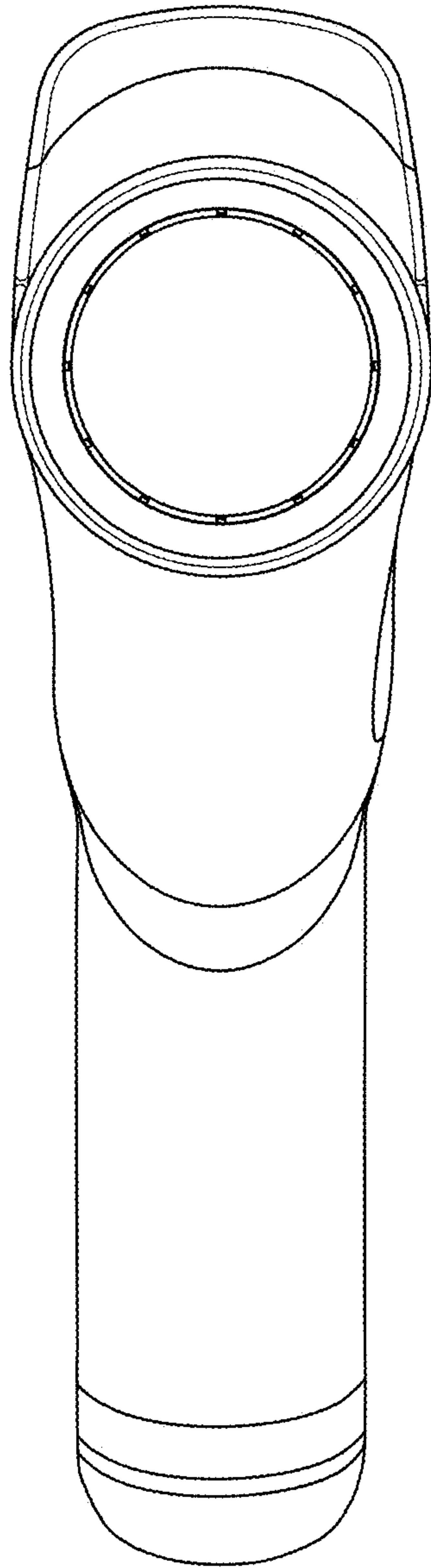


FIG.3

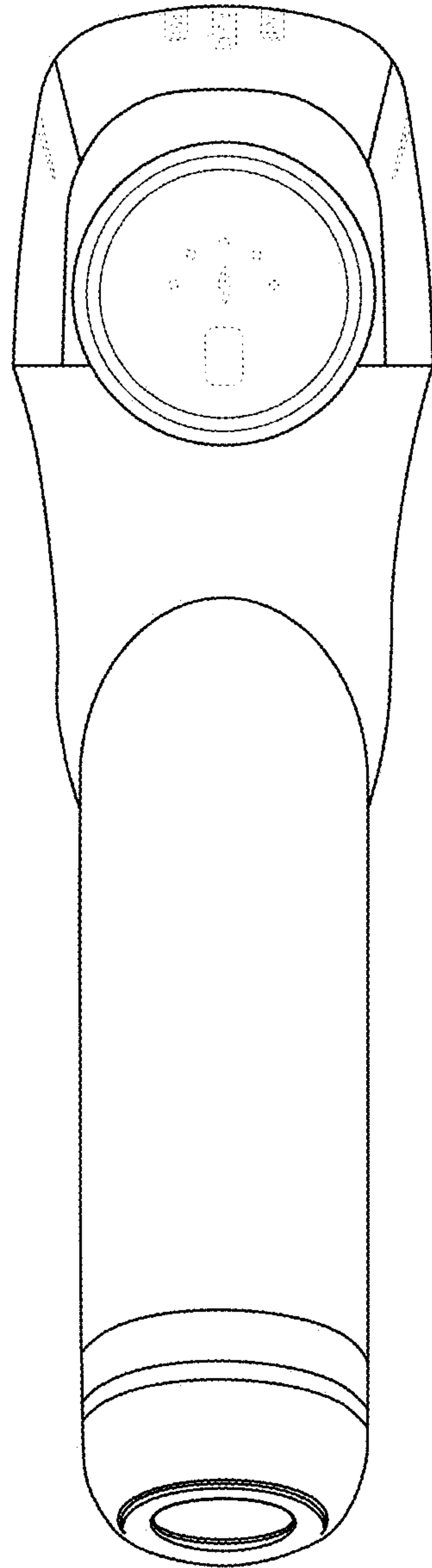


FIG.4

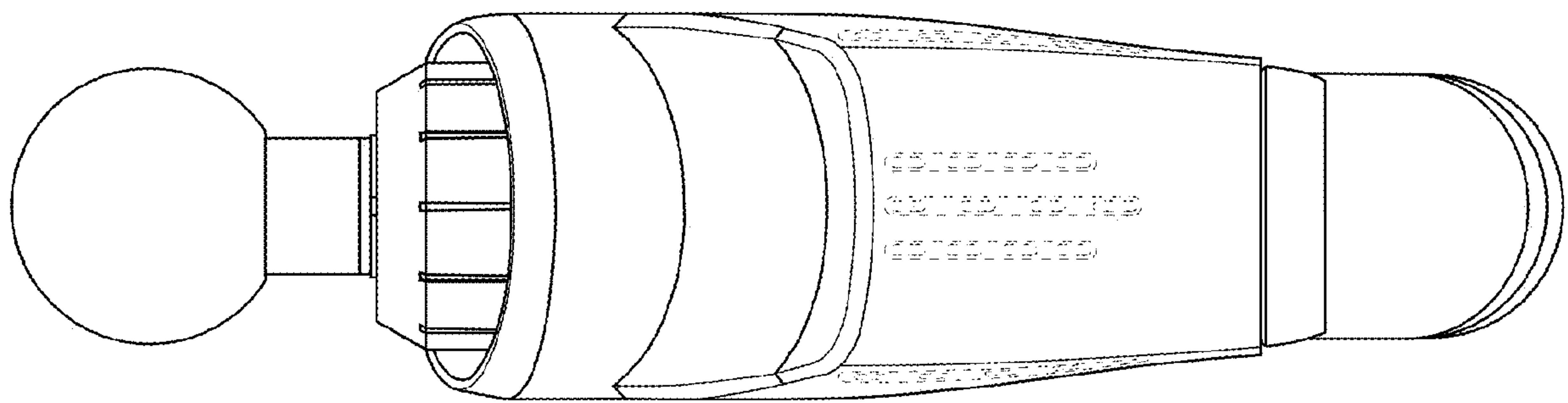


FIG.5

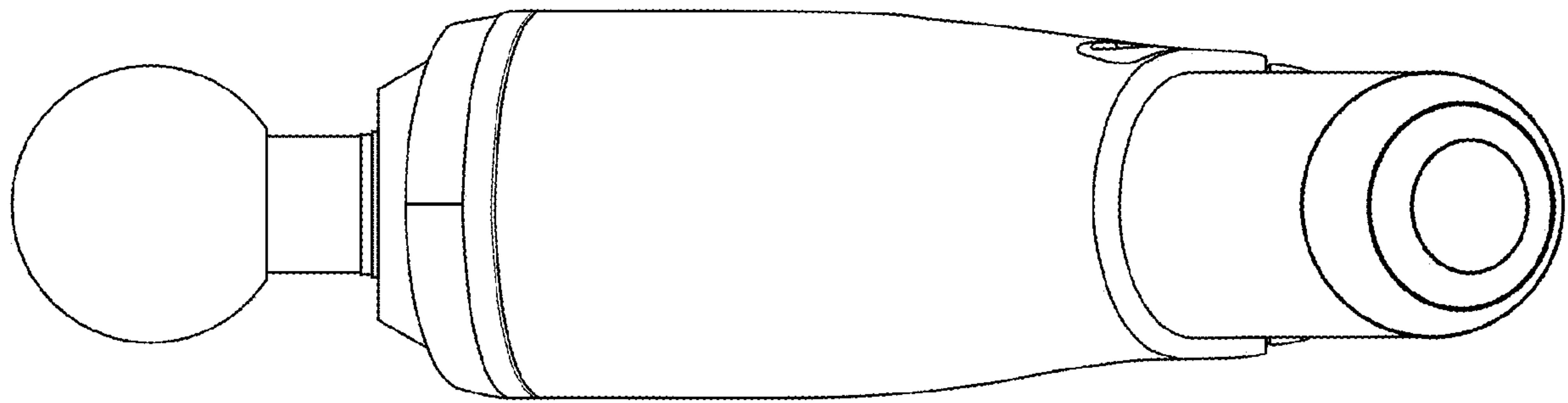


FIG.6

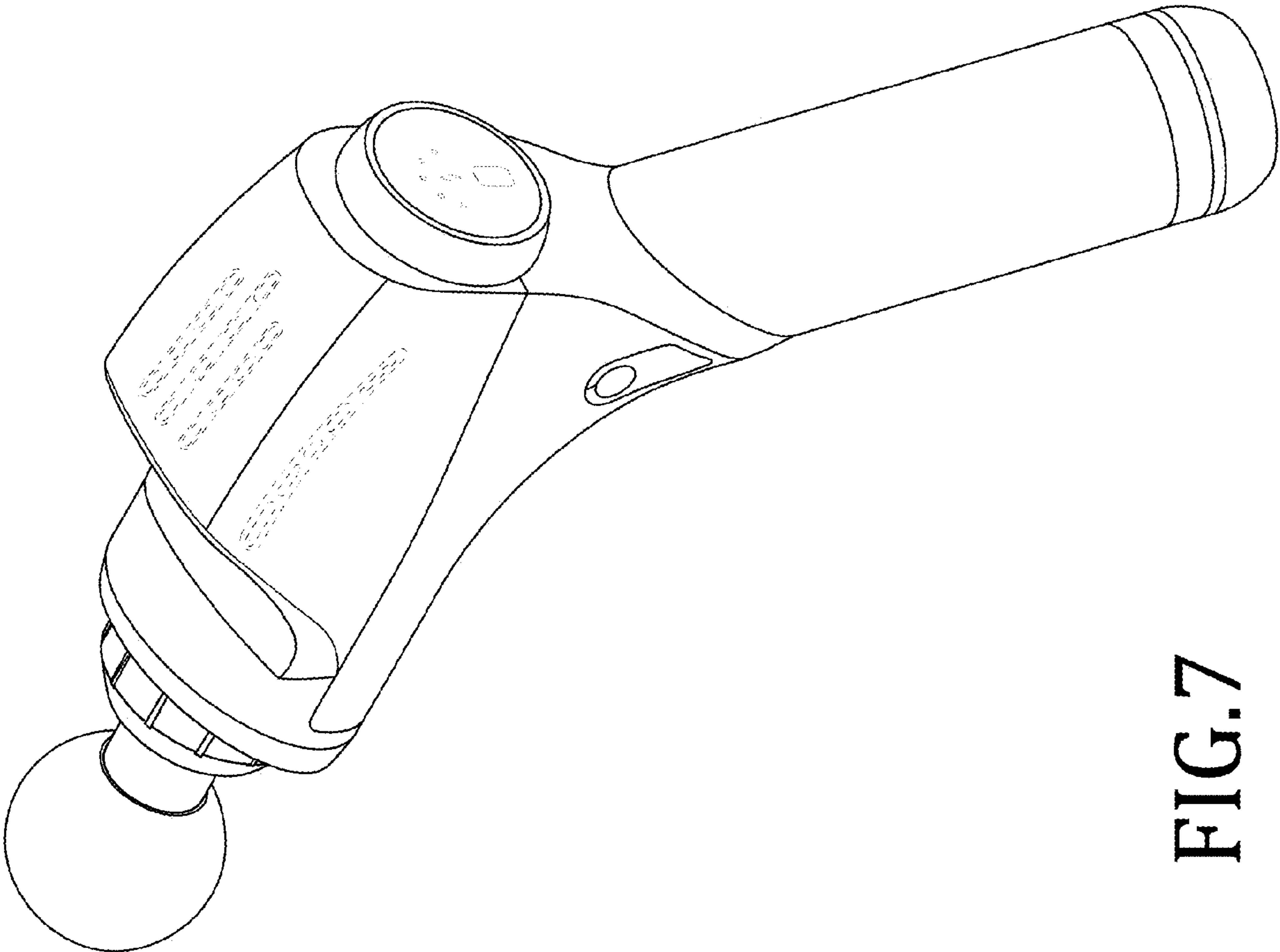


FIG.7