

US00D927709S

(12) **United States Design Patent**
Elmore

(10) **Patent No.:** **US D927,709 S**

(45) **Date of Patent:** **** Aug. 10, 2021**

(54) **COOLING DEVICE FOR AN ATHLETIC MASK**

(71) Applicant: **James R. Elmore**, Springdale, AR (US)

(72) Inventor: **James R. Elmore**, Springdale, AR (US)

(**) Term: **15 Years**

(21) Appl. No.: **29/704,509**

(22) Filed: **Sep. 5, 2019**

(51) **LOC (13) Cl.** **24-04**

(52) **U.S. Cl.**
USPC **D24/206**

(58) **Field of Classification Search**
USPC D24/206, 207, 200, 190, 191; D2/881,
D2/891, 894

(Continued)

(56) **References Cited**

U.S. PATENT DOCUMENTS

5,020,711 A * 6/1991 Kelley A61F 7/02
224/222
5,148,804 A * 9/1992 Hill A61F 7/10
607/108

(Continued)

FOREIGN PATENT DOCUMENTS

KR 300936156.0000 * 12/2017
KR 300995424.0000 * 2/2019

OTHER PUBLICATIONS

Cool-catcher baseball/softball catcher masks by Cool-Catcher. Amazon.com. Oldest review date: Aug. 15, 2017. Retrieved from internet: <https://www.amazon.com/Cool-Catcher-COOLC-BK-Face-Mask-Black/dp/B01DDFBFKW> (Year: 2017).*

(Continued)

Primary Examiner — Lilyana Bekic

Assistant Examiner — Lee D. Starr

(74) *Attorney, Agent, or Firm* — Schrantz Law Firm, PLLC; Stephen D. Schrantz

(57) **CLAIM**

The ornamental design for a cooling device for an athletic mask, as shown and described.

DESCRIPTION

FIG. 1 is a front view of a cooling device for an athletic mask showing my new design with an end of the flap attached to the front of the device;

FIG. 2 is a left side view thereof;

FIG. 3 is a right side view thereof;

FIG. 4 is top view thereof;

FIG. 5 is bottom view thereof;

FIG. 6 is a rear view thereof;

FIG. 7 is a rear view thereof showing the cooling device attached to an athletic mask;

FIG. 8 is a perspective right side view thereof showing the athletic mask open for placement on a user, wherein the end of the flap is attached to the front of the cooling device;

FIG. 9 is a perspective right side view thereof showing the athletic mask open for placement on a user, wherein the end of the flap is attached to the rear of the cooling device;

FIG. 10 is a front view thereof showing the end of the flap extended outward;

FIG. 11 is a rear view thereof showing the end of the flap attached to the rear of the cooling device;

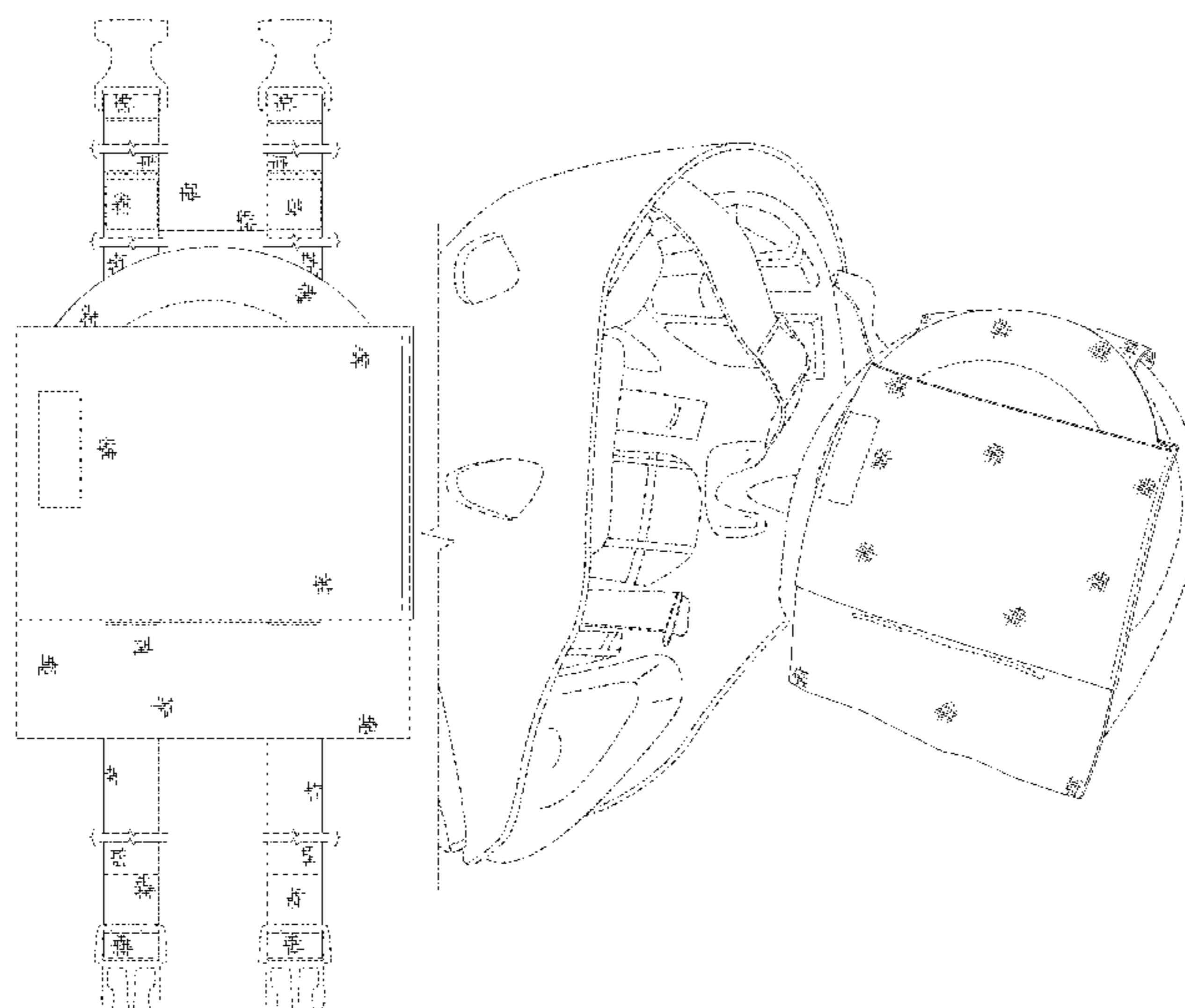
FIG. 12 is front view thereof showing the end of the flap attached to the rear of the cooling device;

FIG. 13 is a rear view thereof showing the end of the flap extended outward; and,

FIG. 14 is a front view thereof showing the end of the flap extended outward.

The dashed broken lines in the drawings depict portions of the cooling device for an athletic mask that form no part of the claimed design. The dash-dot-dash broken line showing of an athletic mask in FIGS. 7-9 depicts environment that forms no part of the claimed design.

1 Claim, 10 Drawing Sheets



(58) **Field of Classification Search**

CPC A61F 7/02; A61F 7/10; A61F 7/106; A61F
 2007/0001; A61F 2007/0002; A61F
 2007/0091; A61F 2007/0092; A61F
 2007/0228; A61F 2007/023; A61F
 2007/0233; A61F 2007/0238

See application file for complete search history.

(56) **References Cited**

U.S. PATENT DOCUMENTS

5,372,575 A * 12/1994 Sebastian A61F 5/012
 128/DIG. 20
 D383,547 S * 9/1997 Mason D24/206
 D383,848 S * 9/1997 Mason A61F 7/02
 D24/206
 5,716,388 A * 2/1998 Petelle A61F 7/02
 126/204
 6,093,202 A * 7/2000 Dyken A61F 7/02
 607/108
 6,585,673 B1 * 7/2003 Bass A61F 7/02
 128/845
 D621,944 S * 8/2010 Astin D24/200
 7,921,473 B1 * 4/2011 Winters A42B 3/286
 2/171.3
 D665,508 S * 8/2012 Dow A61F 7/10
 D24/206

D740,056 S * 10/2015 Elmore A42B 1/008
 D6/611
 D771,263 S * 11/2016 Gazit D24/191
 10,021,926 B2 * 7/2018 Stevenson A41D 20/005
 D877,346 S * 3/2020 Whitely A61F 7/02
 D24/189
 2002/0100106 A1 * 8/2002 Simmons A42B 1/008
 2/171.2
 2004/0210287 A1 * 10/2004 Greene A61F 7/02
 607/112
 2006/0005291 A1 * 1/2006 Bedford A42B 3/285
 2/7
 2007/0137685 A1 * 6/2007 Jwo H01L 35/00
 136/203
 2011/0166635 A1 * 7/2011 Nelson A61F 7/02
 607/112

OTHER PUBLICATIONS

New Complete Cool-Catcher Max System by Cool-Catcher. Cool-catcher.com. Date viewed: Nov. 24, 2020. Retrieved from internet: <https://cool-catcher.com/product/complete-cool-catcher-system/> (Year: 2020).*

New Baseball and Softball Product Cool-Catcher Max!!! by Cool-Catcher. Youtube.com. Posted date: Jan. 8, 2019. Retrieved from internet: <https://www.youtube.com/watch?v=bCvCQLpBXUs> (Year: 2019).*

* cited by examiner

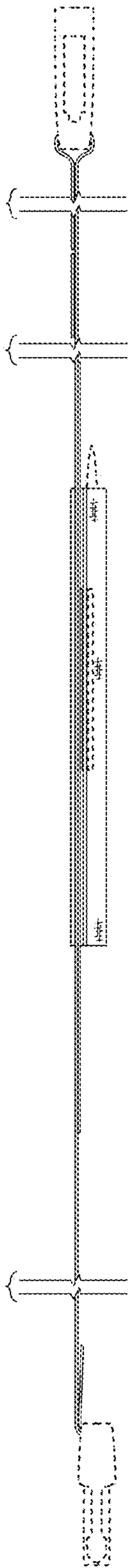


FIG. 2

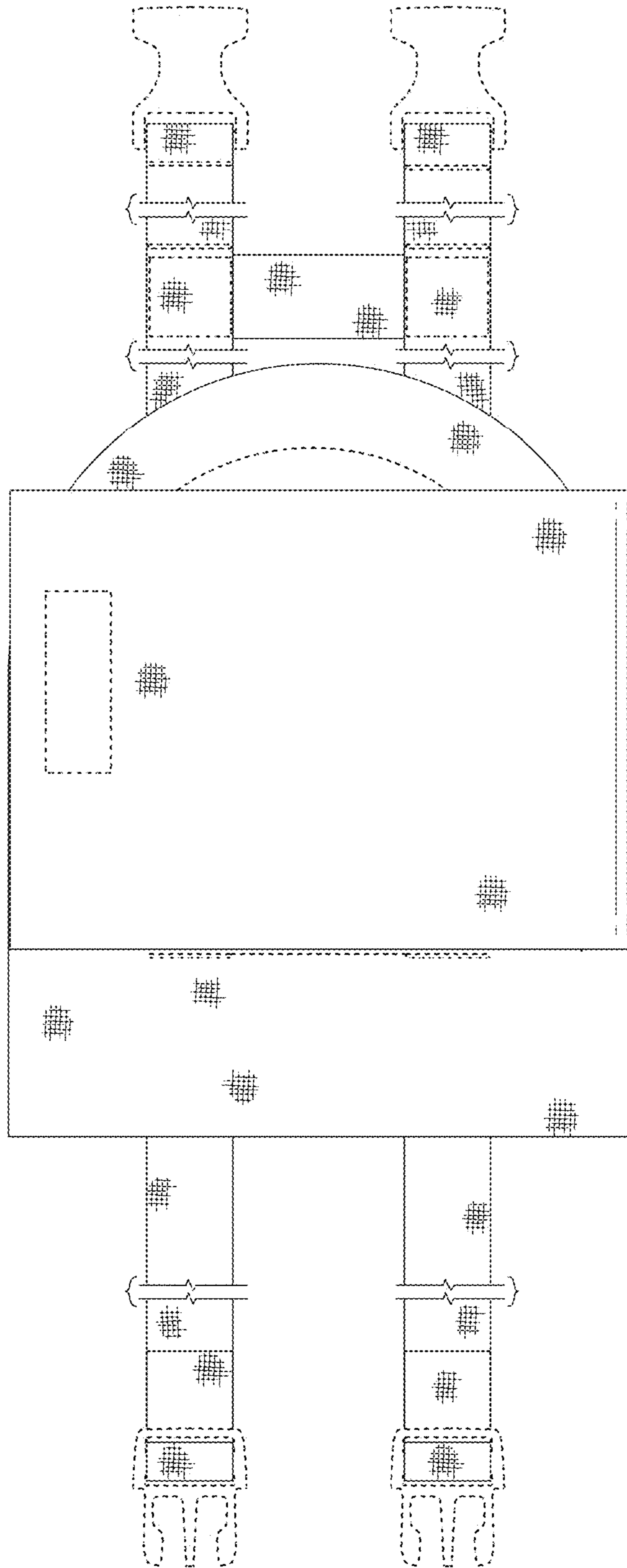


FIG. 1

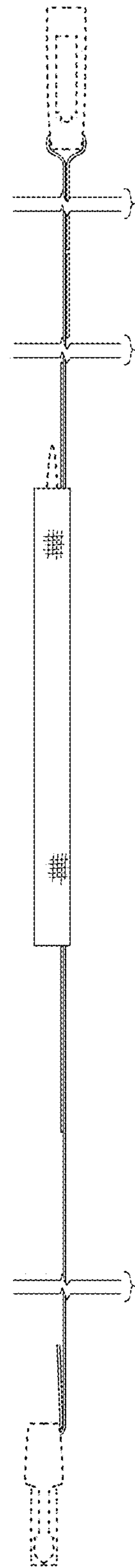


FIG. 3

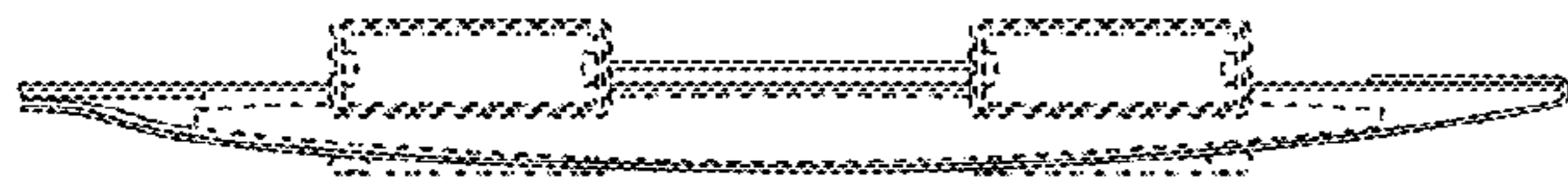


FIG. 4

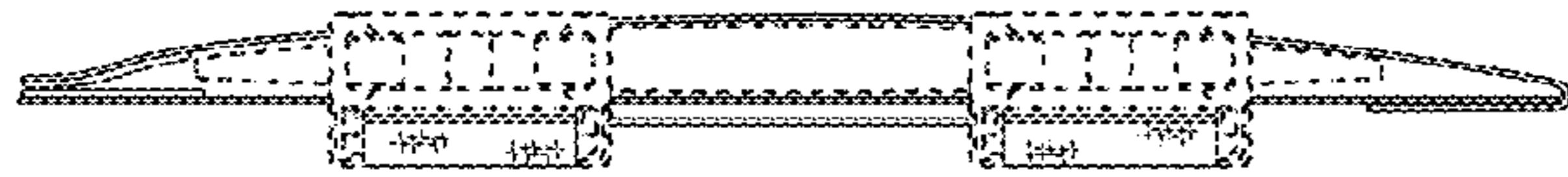


FIG. 5

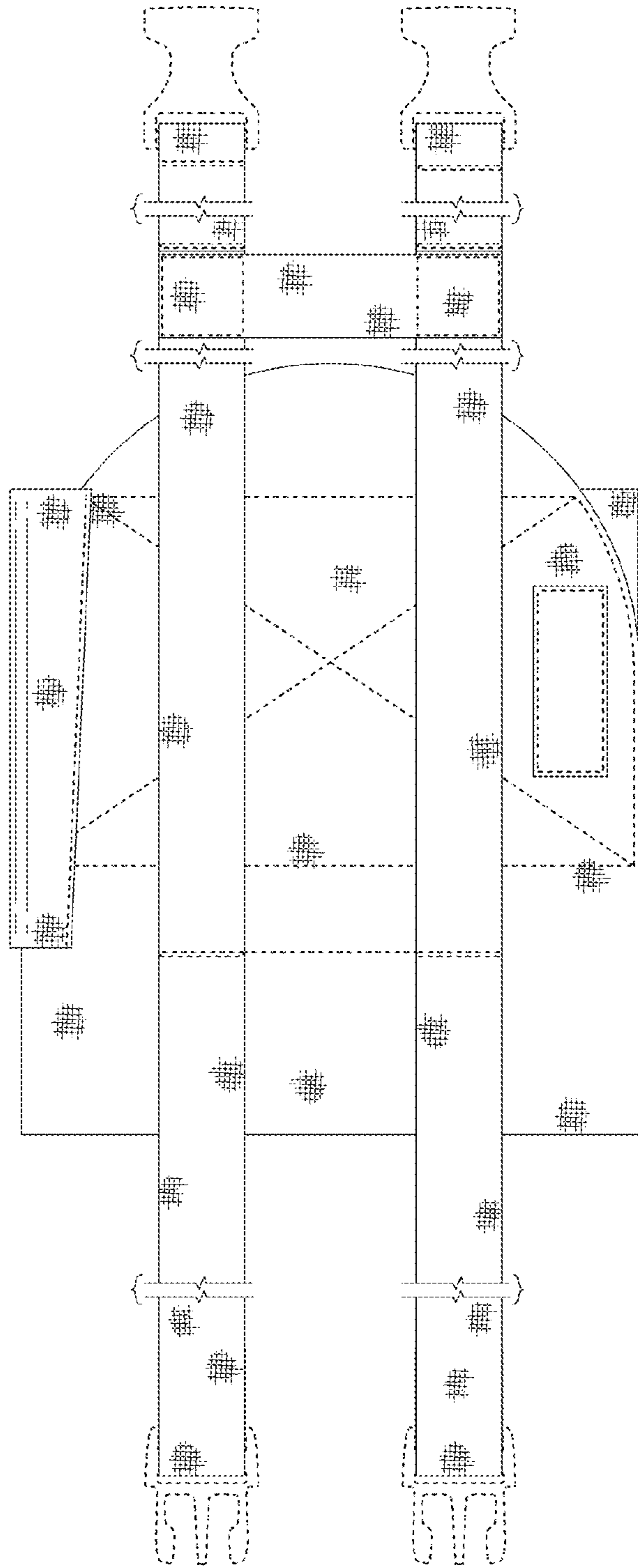


FIG. 6

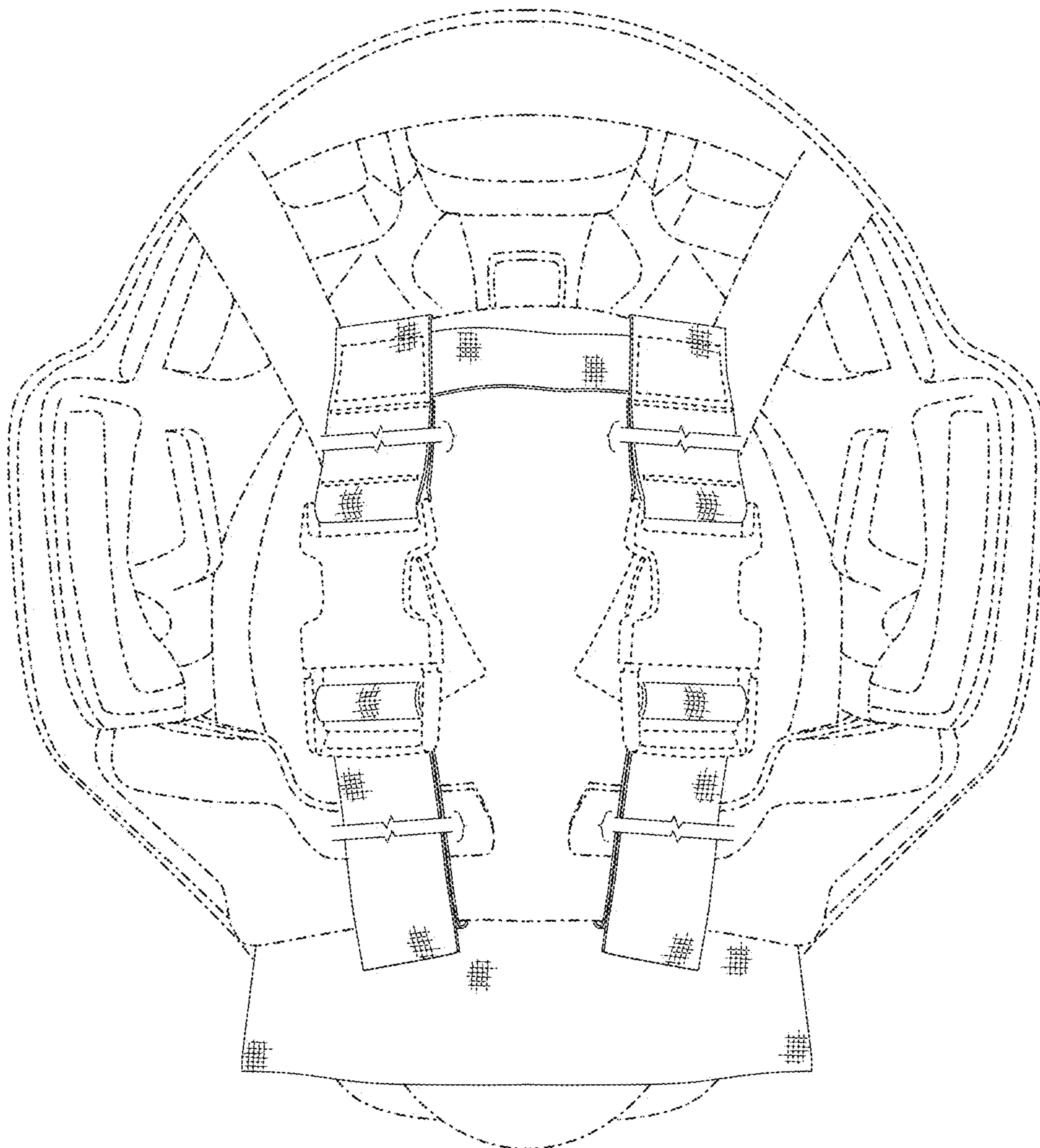
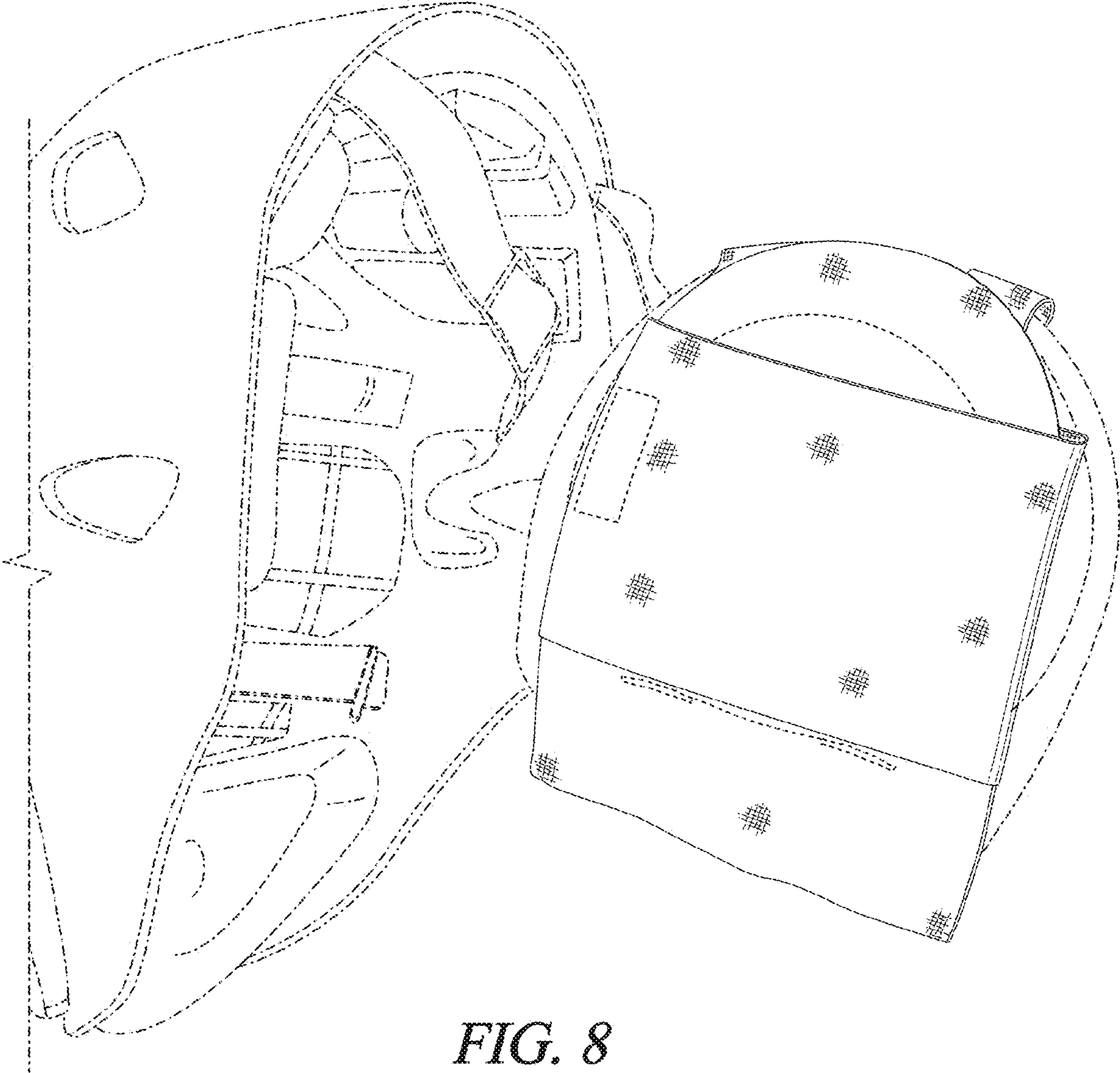


FIG. 7



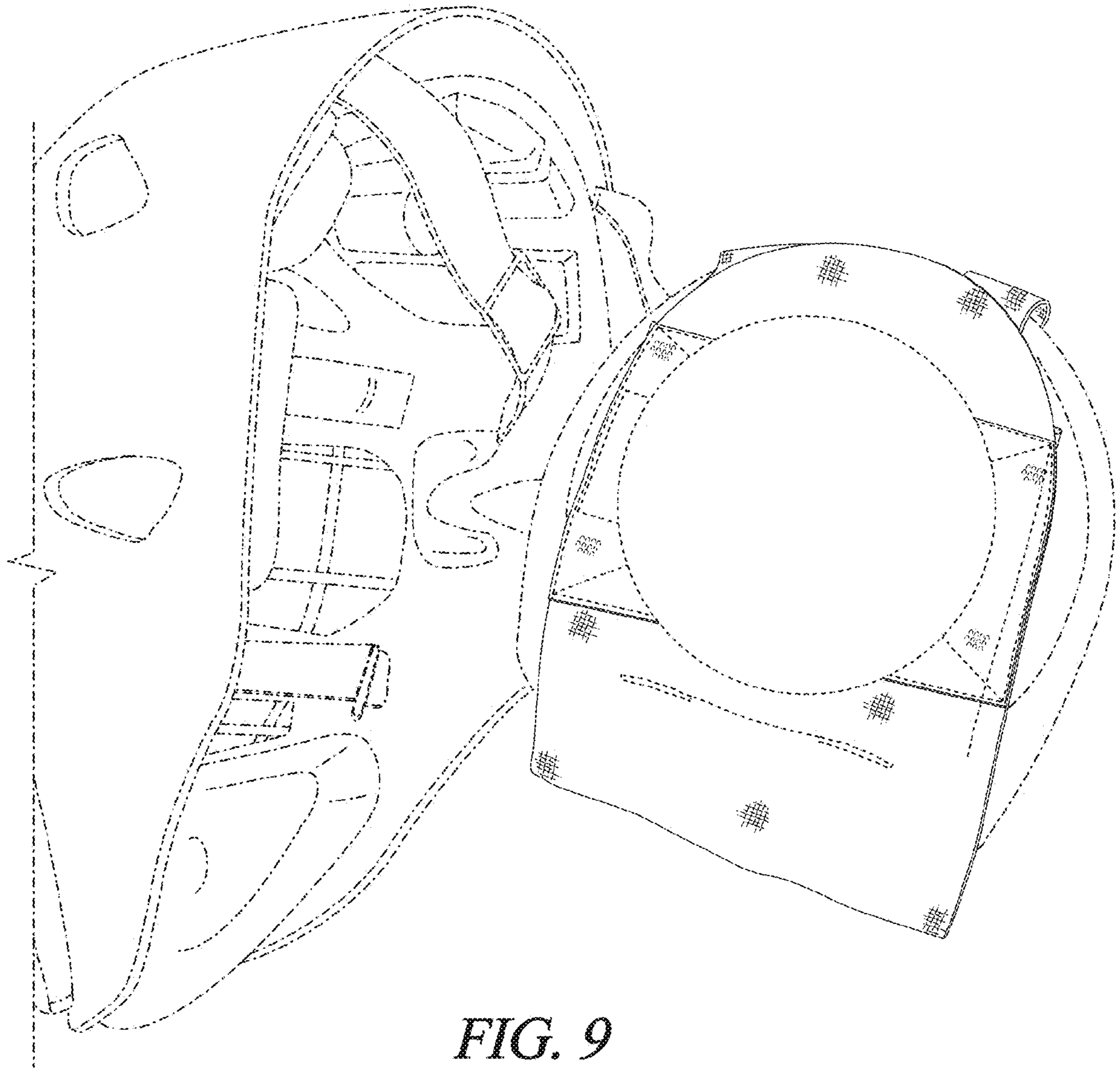


FIG. 9

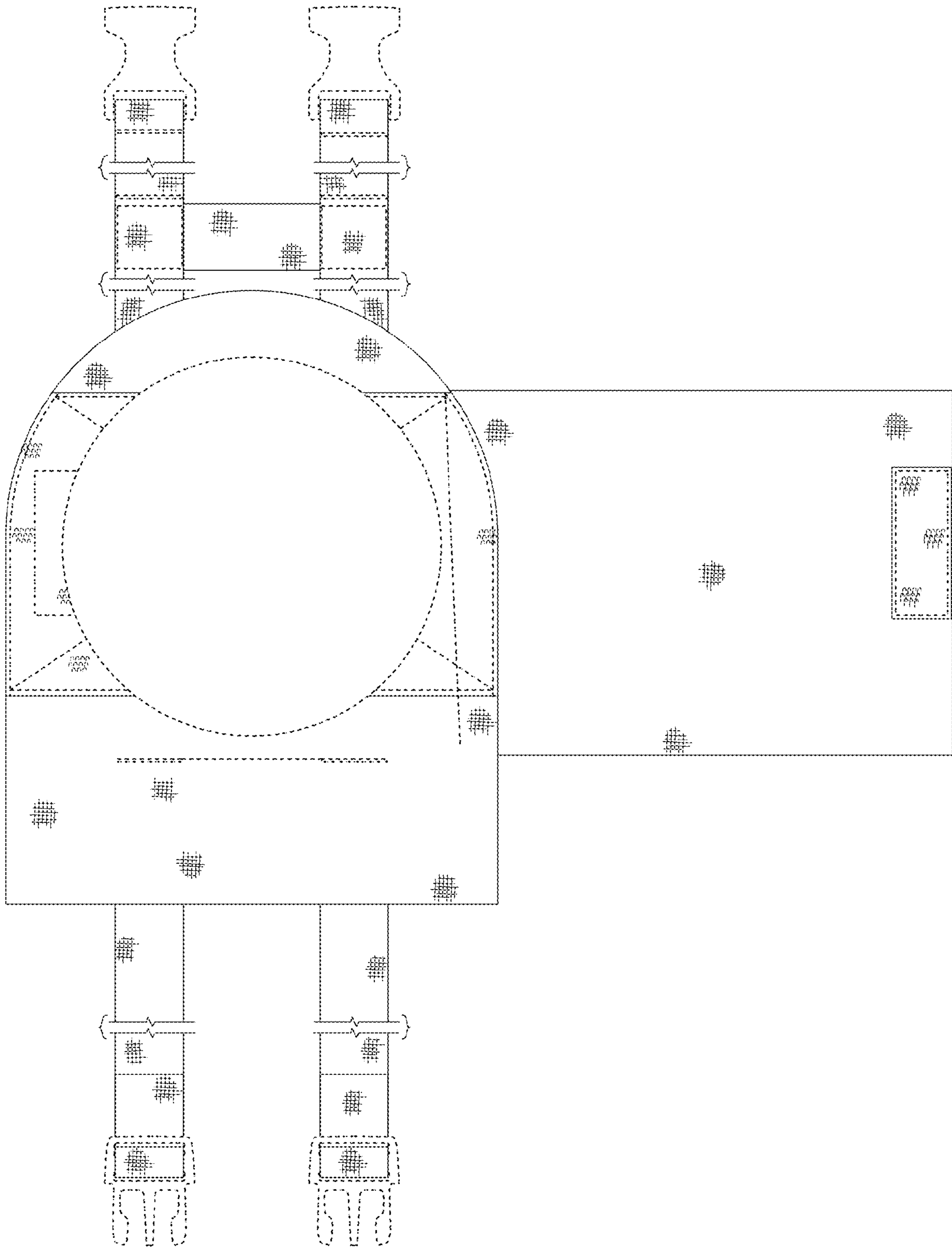


FIG. 10

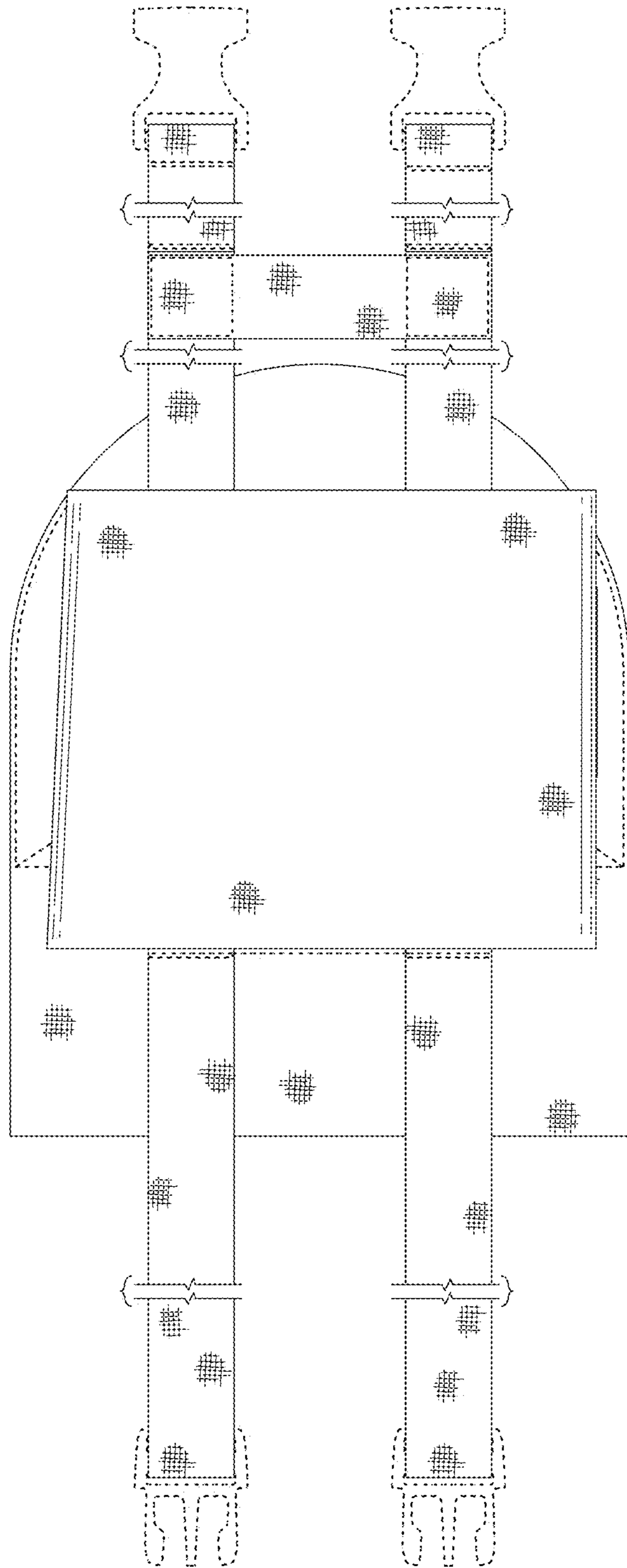


FIG. 11

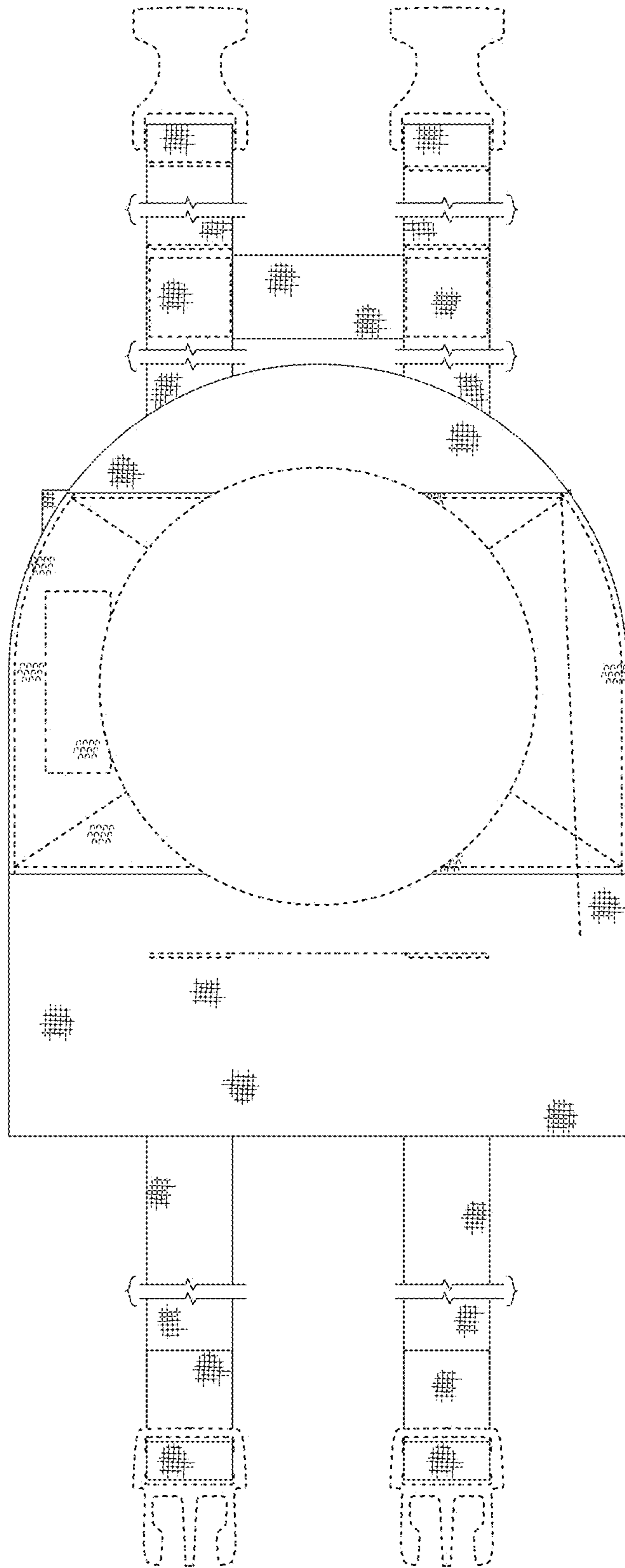


FIG. 12



FIG. 13

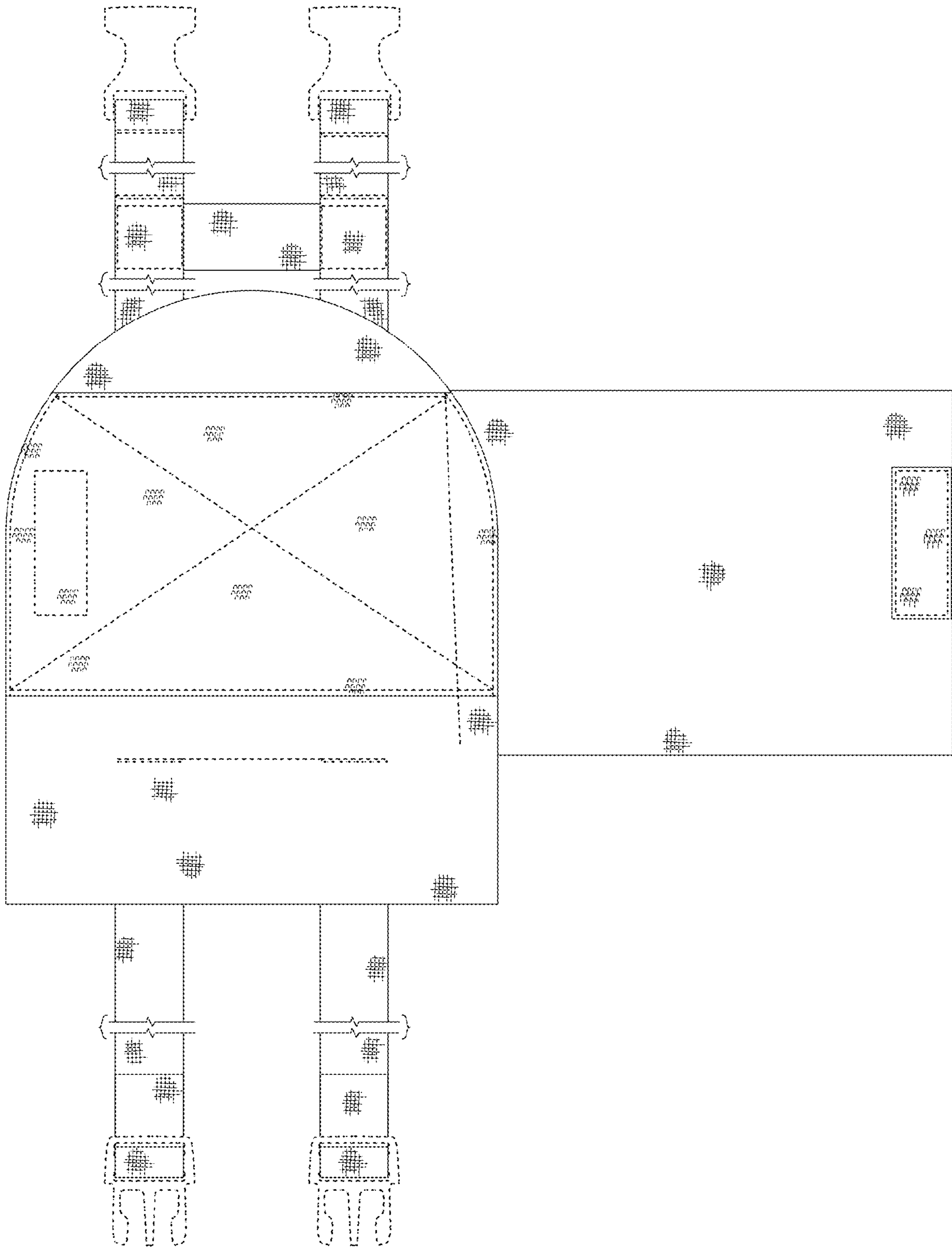


FIG. 14