



US00D927702S

(12) **United States Design Patent**
Lundquist

(10) **Patent No.:** **US D927,702 S**

(45) **Date of Patent:** **** Aug. 10, 2021**

(54) **VOCAL TRAINING AND THERAPY APPARATUS**

(71) Applicant: **Joseph Patrick Lundquist**, Santa Monica, CA (US)

(72) Inventor: **Joseph Patrick Lundquist**, Santa Monica, CA (US)

(**) Term: **15 Years**

(21) Appl. No.: **29/711,053**

(22) Filed: **Oct. 28, 2019**

(51) **LOC (13) Cl.** **24-02**

(52) **U.S. Cl.**
USPC **D24/188**; D24/200

(58) **Field of Classification Search**
USPC D24/133, 200, 209, 211, 212, 213, 214, D24/215, 188-192, 206-207, 115, 117, D24/193-196, 199; D30/160; D29/120.1, 120.2, 121.1, 121.2, 100, D29/101.1, 101.2, 101.3, 101.4, 101.5, D29/122; D21/659, 660, 661; D17/10, D17/11, 12, 13, 99
CPC A61N 1/18; A61N 2007/0034; A61N 2005/0644; A61N 2005/0662; A61N 5/0616; A61N 1/0456; A61N 1/322; A61N 2005/0645; A61N 2005/0654; A61N 5/0613; A63B 23/18; A61M 16/0006; A61M 2209/088; A61M 2205/0238; A61M 2205/0205; A61M 2210/1028

See application file for complete search history.

(56) **References Cited**

U.S. PATENT DOCUMENTS

D409,241 S * 5/1999 Melnick D27/162
D411,623 S * 6/1999 Schiavoni D23/366
D427,228 S * 6/2000 Light A61M 15/009
D434,065 S * 11/2000 Morse D9/688

6,761,699 B2 * 7/2004 Chahine A61H 39/00
601/134
D517,207 S * 3/2006 Poynter D24/115
D526,342 S * 8/2006 Webb D17/10
D534,648 S * 1/2007 Zahn D24/115
D539,430 S * 3/2007 Lowsky, Jr. D24/193
D592,457 S * 5/2009 Mansfield D7/509
D598,118 S * 8/2009 Schiavoni D24/194
D614,292 S * 4/2010 Anderson D24/119
D614,396 S * 4/2010 Tanghoej D3/203.1
D650,901 S * 12/2011 Ghosh D24/115

(Continued)

OTHER PUBLICATIONS

Sing Ring, [site visited May 5, 2021]. Available from Internet. URL: <https://oovostraw.com/product/sing-ring> (Year: 2021).*

Primary Examiner — T Chase Nelson

Assistant Examiner — Kelly L Gross

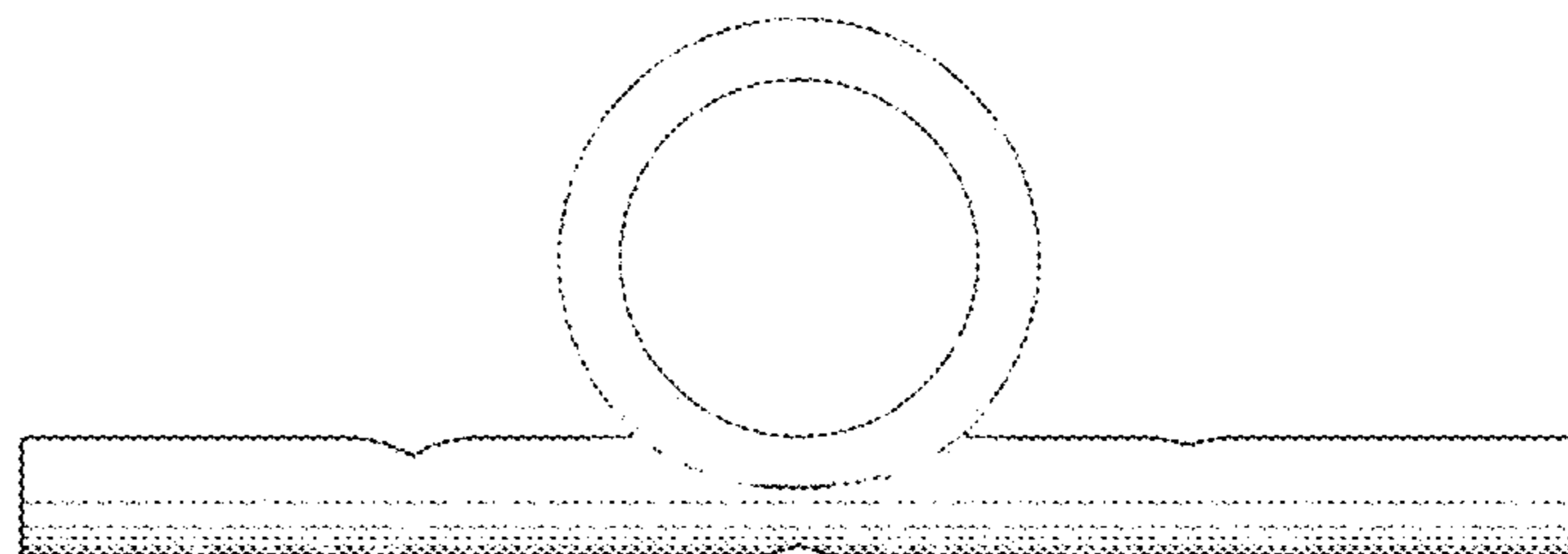
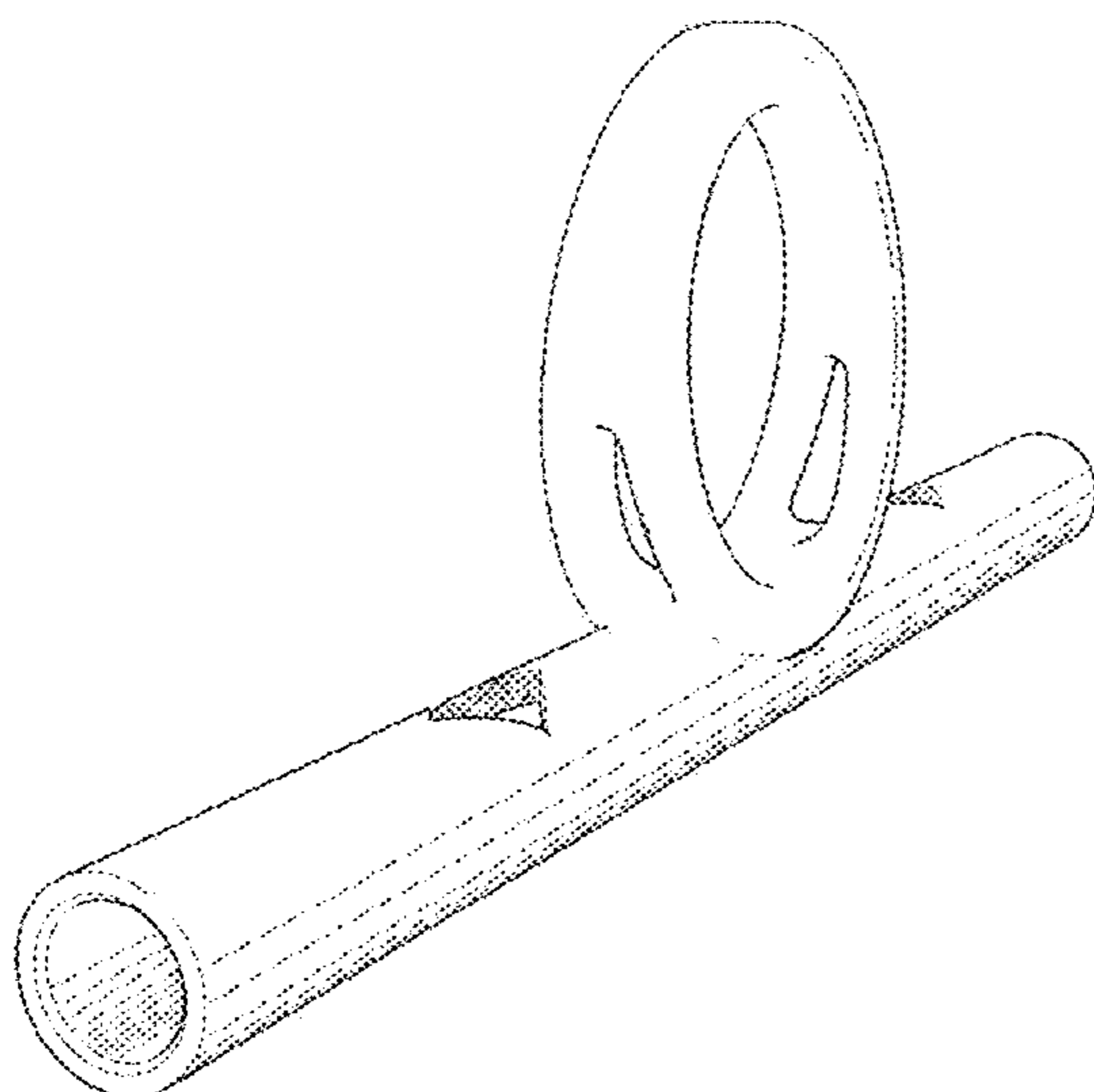
(57) **CLAIM**

I claim the ornamental design for a vocal training and therapy apparatus, as shown and described.

DESCRIPTION

FIG. 1 is a front perspective view of the vocal training and therapy apparatus;
FIG. 2 is a back perspective view of the vocal training and therapy apparatus;
FIG. 3 is a front view of the vocal training and therapy apparatus;
FIG. 4 is a back view of the vocal training and therapy apparatus;
FIG. 5 is a right side view of the vocal training and therapy apparatus;
FIG. 6 is a left side view of the vocal training and therapy apparatus;
FIG. 7 is a bottom view of the vocal training and therapy apparatus; and,
FIG. 8 is a top view of the vocal training and therapy apparatus.

1 Claim, 8 Drawing Sheets



(56)

References Cited

U.S. PATENT DOCUMENTS

D682,435	S *	5/2013	Lowsky, Jr.	D24/193
D723,709	S *	3/2015	Topolovac	D24/215
D731,075	S *	6/2015	Staton	D24/222
D770,561	S *	11/2016	Clissold	D17/10
D795,447	S *	8/2017	Huschke	D24/222
D797,947	S *	9/2017	Schill	D24/194
D870,897	S *	12/2019	Katzberg	D24/187
D874,664	S *	2/2020	Lowsky	D24/194
D877,917	S *	3/2020	Schill	A61M 16/0006
					D24/194
D878,621	S *	3/2020	Librach	D24/222
D901,035	S *	11/2020	Aparicio	D24/222
10,842,953	B2 *	11/2020	Goodman	A24F 47/008
D904,686	S *	12/2020	Silverberg	A45D 40/28
					D28/7
D906,300	S *	12/2020	Yang	A45D 40/28
					D14/230
D913,474	S *	3/2021	Lee	D23/366
D914,273	S *	3/2021	Verleur	D27/162
D914,514	S *	3/2021	Wintroub	D9/688
10,933,208	B2 *	3/2021	Krishna	A61M 15/009
2019/0105534	A1 *	4/2019	Lundquist	A61M 16/0006

* cited by examiner

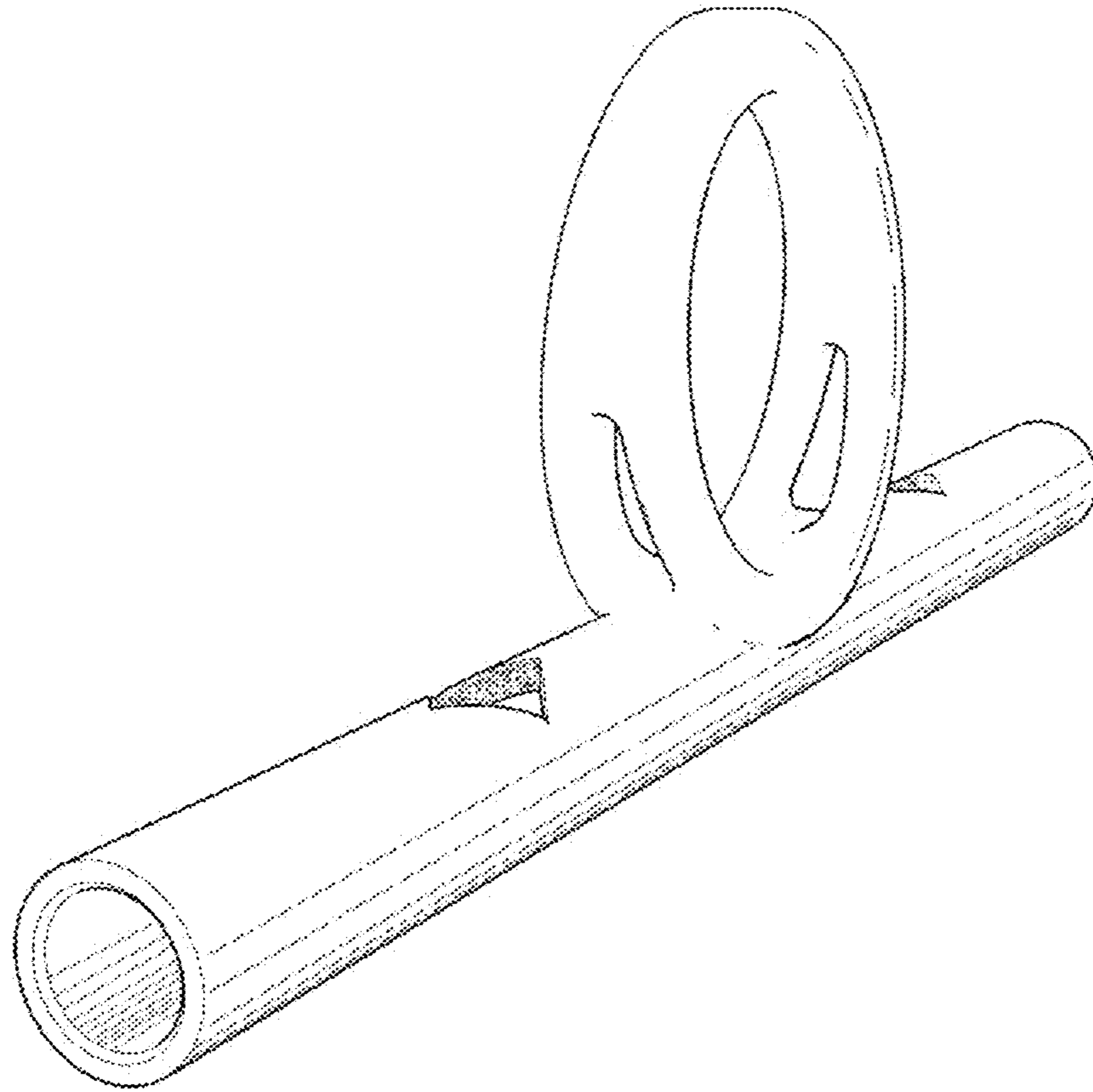


FIG. 1

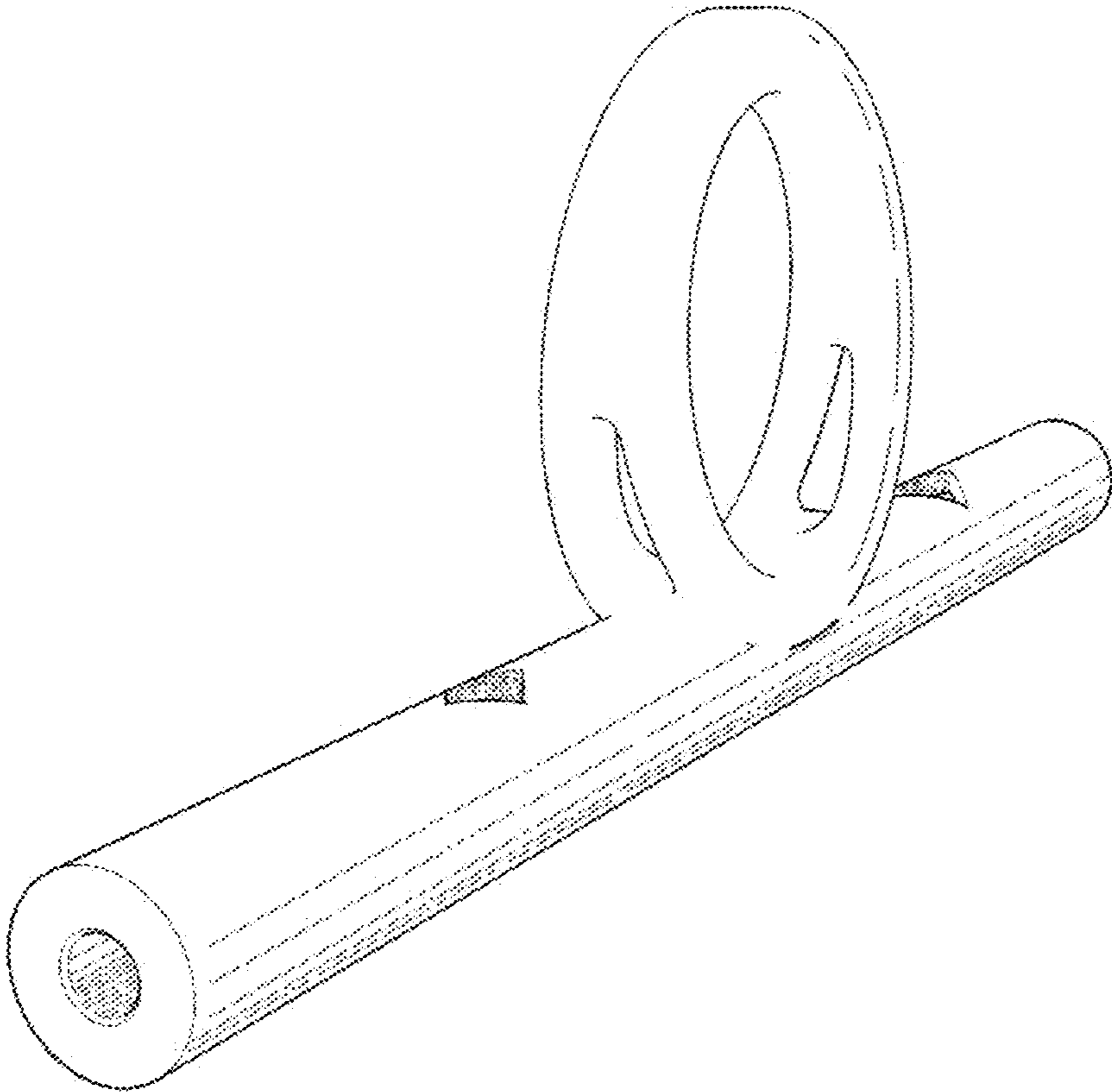


FIG. 2

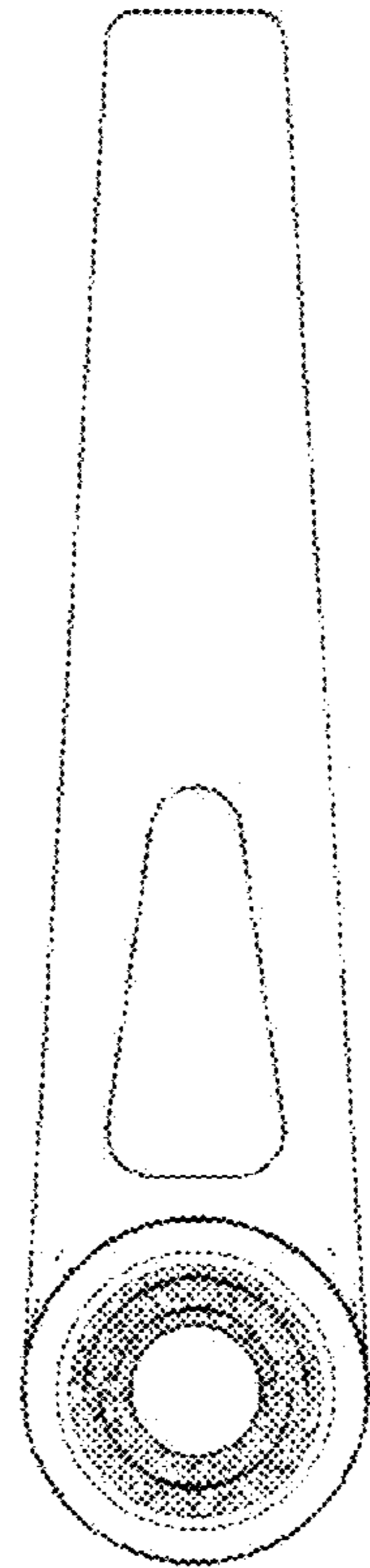


FIG. 3

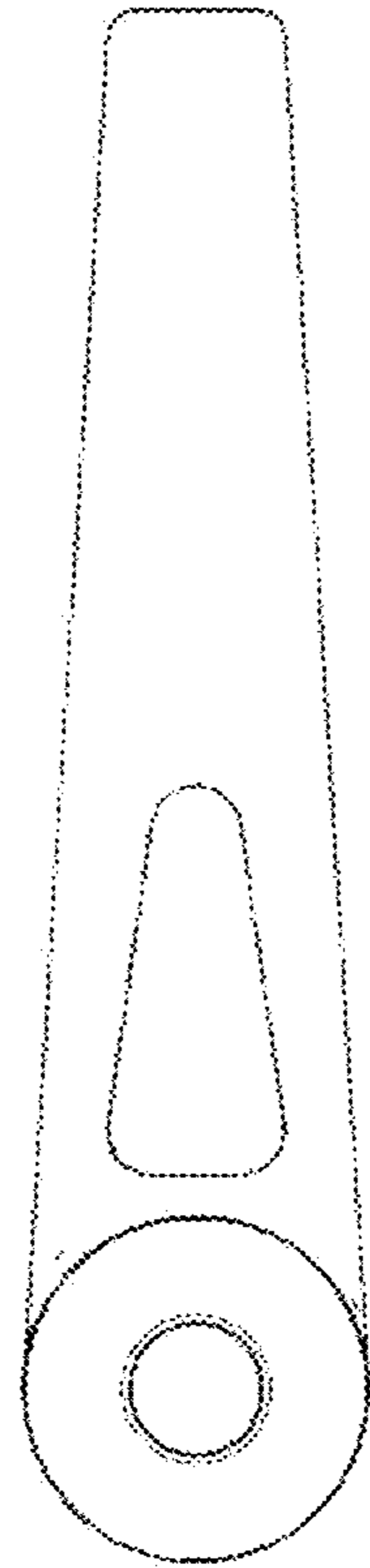


FIG. 4

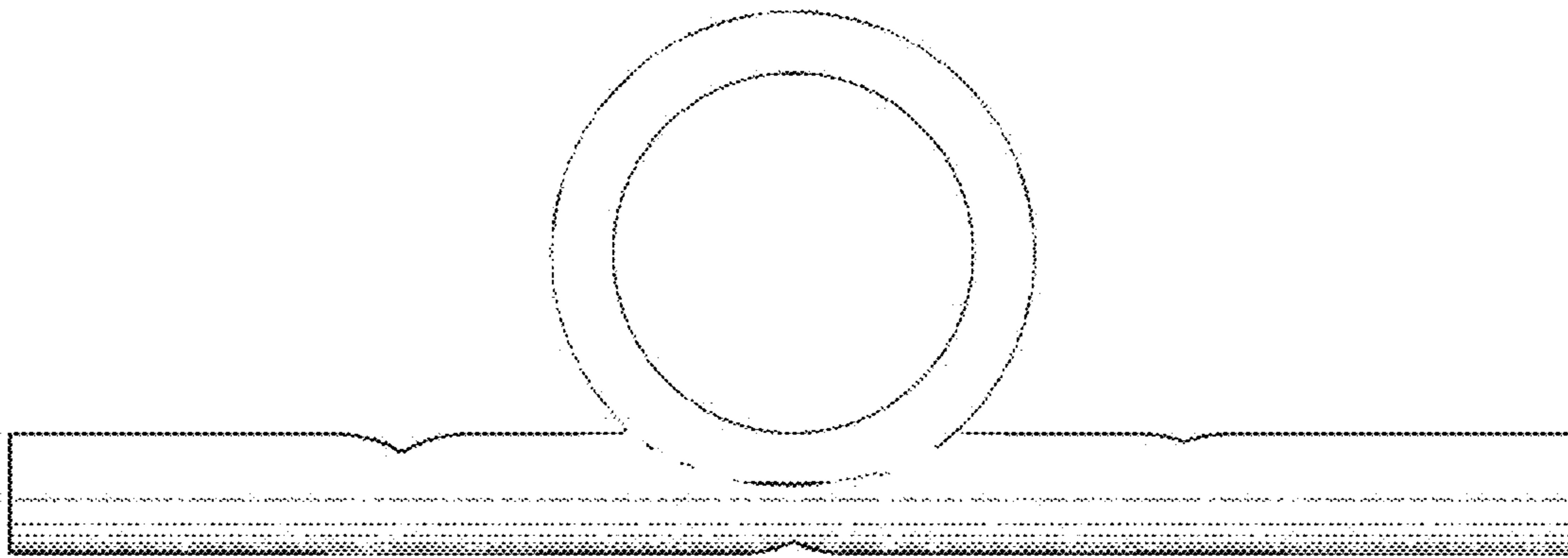


FIG. 5

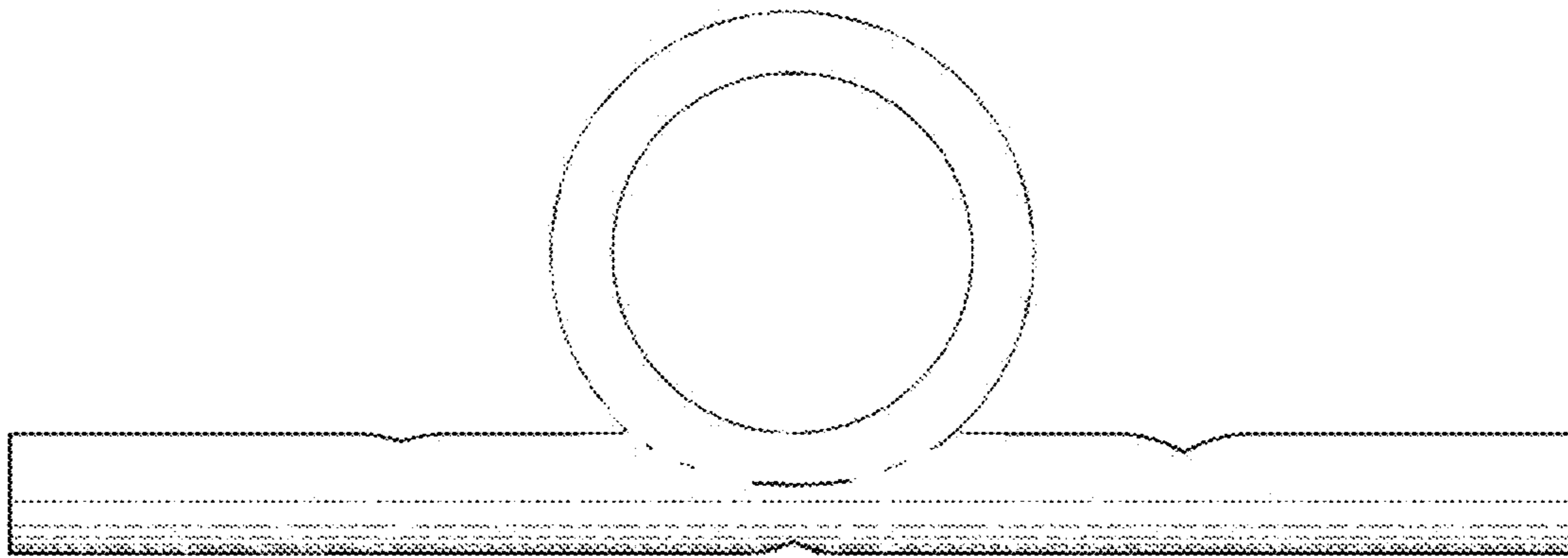


FIG. 6



FIG. 7



FIG. 8