

US00D927701S

(12) **United States Design Patent**  
**Djankovich et al.**

(10) **Patent No.:** **US D927,701 S**

(45) **Date of Patent:** **\*\* Aug. 10, 2021**

(54) **PORTABLE REBOUNding DEVICE**

(71) Applicant: **Rocking Inc.**, Irvine, CA (US)

(72) Inventors: **Mladen Djankovich**, Irvine, CA (US);  
**Milena Djankovich**, Irvine, CA (US)

(73) Assignee: **Rocking Inc.**, Irvine, CA (US)

(\*\*) Term: **15 Years**

(21) Appl. No.: **29/684,870**

(22) Filed: **Mar. 25, 2019**

(51) **LOC (13) Cl.** ..... **24-02**

(52) **U.S. Cl.**  
USPC ..... **D24/188**; D24/183; D24/200

(58) **Field of Classification Search**  
USPC ..... D24/133, 183, 188, 200, 206-215;  
D10/57; D13/108; D6/595, 596, 597,  
D6/598, 599, 600, 601, 604, 605, 606  
CPC ..... A61H 33/12; A61H 33/06; A61H 33/063;  
A61H 2201/10; A61H 2201/00; A61H  
2201/05; A61H 2205/12; A61M 11/041;  
A61M 2011/065; A61M 2209/084; A61N  
5/0616; A61N 5/062; A61N 5/0613  
See application file for complete search history.

(56) **References Cited**

**U.S. PATENT DOCUMENTS**

- 1,587,749 A \* 6/1926 Bierly ..... A63C 17/06  
482/80
- 2,914,116 A \* 11/1959 Gohmann ..... A47C 16/025  
108/1
- 4,410,214 A \* 10/1983 Geschwender ..... A47C 3/04  
297/118
- 4,421,318 A \* 12/1983 Sverdlik ..... A63B 69/0097  
473/476
- 5,203,611 A \* 4/1993 Greenwood ..... A47D 13/107  
297/275
- 5,352,173 A \* 10/1994 McLaughlin .... A63B 23/03575  
482/121

- 6,585,610 B2 \* 7/2003 Sompolinsky ..... A63B 67/002  
273/348
- D503,572 S \* 4/2005 Eldoy ..... D6/349
- 7,249,767 B1 \* 7/2007 Gorton ..... A63B 69/0097  
273/396

(Continued)

**OTHER PUBLICATIONS**

RockerMama Readyu Rocker [site visited Mar. 29, 2021]. Available from Internet. URL: [https://www.youtube.com/watch?v=\\_EBX2Nw9zZk](https://www.youtube.com/watch?v=_EBX2Nw9zZk) Dated: Oct. 10, 2018 (Year: 2018).\*

*Primary Examiner* — T Chase Nelson

*Assistant Examiner* — Kelly L Gross

(74) *Attorney, Agent, or Firm* — K&L Gates LLP

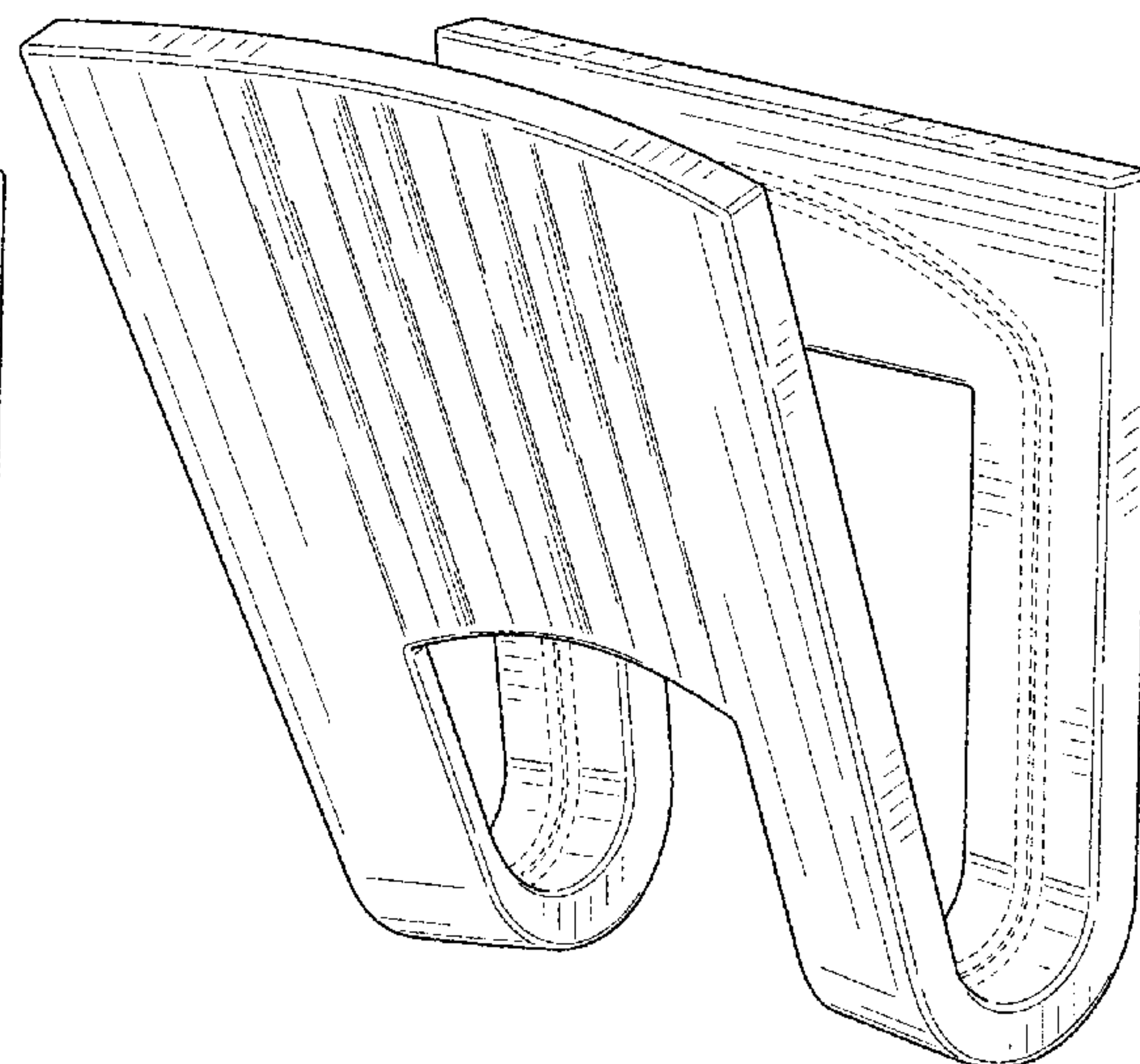
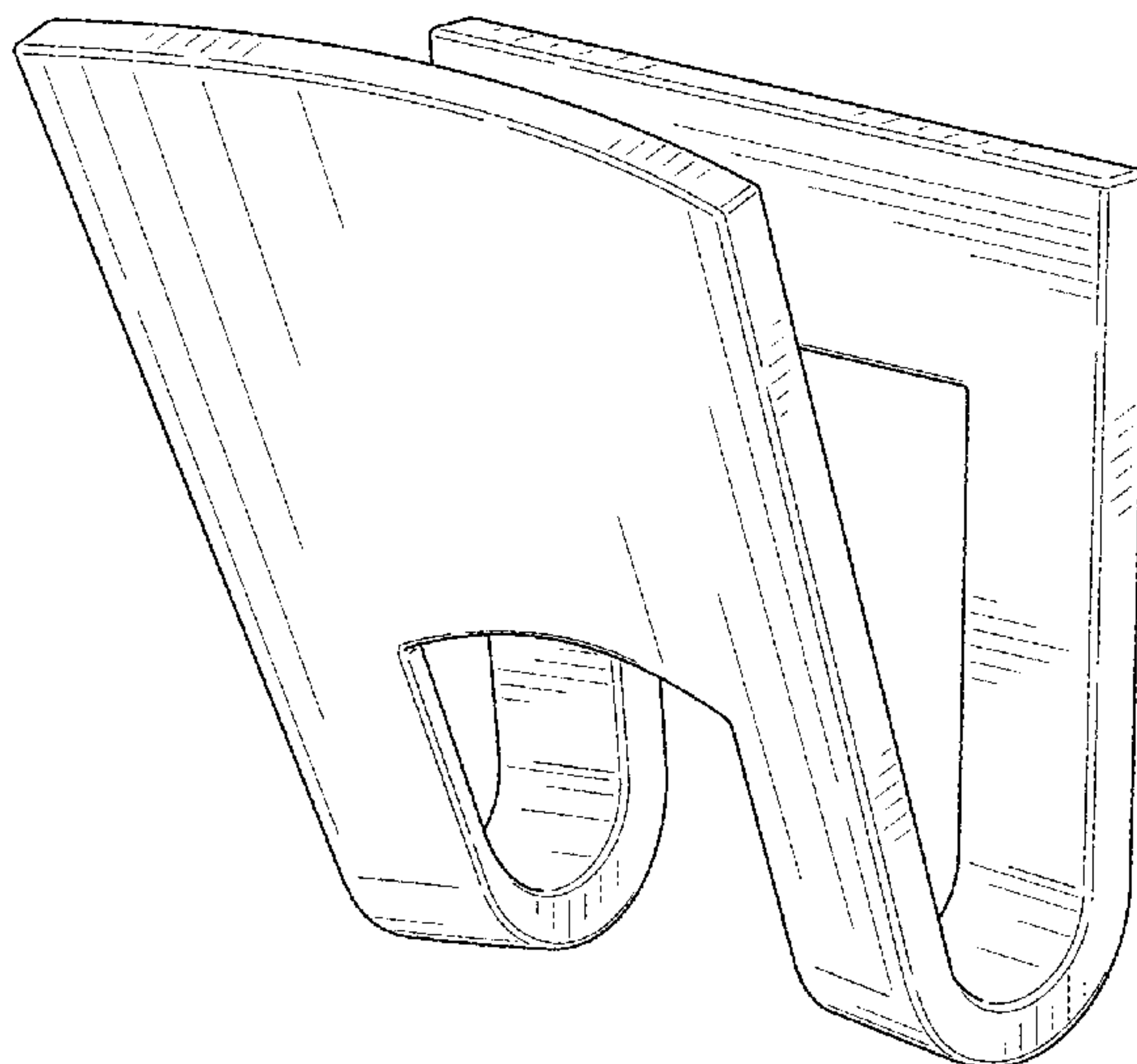
(57) **CLAIM**

The ornamental design for a portable rebounding device, as shown and described.

**DESCRIPTION**

FIG. 1 is an isometric view of a first embodiment of a portable rebounding device showing our new design; FIG. 2 is a front elevational view thereof; FIG. 3 is a back elevational view thereof; FIG. 4 is a left side elevational view thereof; FIG. 5 is a right side elevational view thereof; FIG. 6 is a top plan view thereof; FIG. 7 is a bottom plan view thereof; FIG. 8 is an isometric view of a second embodiment of a portable rebounding device showing our new design; FIG. 9 is a front elevational view thereof; FIG. 10 is a back elevational view thereof; FIG. 11 is a left side elevational view thereof; FIG. 12 is a right side elevational view thereof; FIG. 13 is top plan view thereof; and, FIG. 14 is a bottom plan view thereof. Those portions of the figures that are presented in broken lines merely illustrate the environment of the design and are not part of the claimed design.

**1 Claim, 8 Drawing Sheets**



(56)

References Cited

U.S. PATENT DOCUMENTS

D594,239 S *	6/2009	Lake	D6/348	D844,154 S *	3/2019	Kellock	D24/190
D688,837 S *	8/2013	Paculdo	D30/160	D844,155 S *	3/2019	Kellock	D24/190
D719,270 S *	12/2014	Hanson	A47C 3/04	D845,691 S *	4/2019	Weller	D6/716
			D24/200	D846,544 S *	4/2019	Yamazaki	D14/345
D721,778 S *	1/2015	Rademacher	D21/803	D848,416 S *	5/2019	Yamazaki	D14/345
D728,290 S *	5/2015	Shapiro	A63C 17/06	D852,564 S *	7/2019	Li	D6/716.5
			D6/715	D853,557 S *	7/2019	Formica	D24/128
D731,817 S *	6/2015	Rogers	D6/601	D861,900 S *	10/2019	Blake	D24/200
D746,613 S *	1/2016	DeRosa	A63B 69/0097	10,433,643 B2 *	10/2019	Djankovich	A47C 7/425
			D6/601	D866,547 S *	11/2019	Godman	D14/253
D755,313 S *	5/2016	Dima	A47C 7/425	D873,051 S *	1/2020	Chen	D6/601
			D21/687	D874,169 S *	2/2020	Proctor	D6/349
D770,436 S *	11/2016	Schwarz	D14/251	D879,791 S *	3/2020	Li	D14/447
D770,437 S *	11/2016	Schwarz	D14/251	D885,815 S *	6/2020	Sardo	D6/716
D770,438 S *	11/2016	Schwarz	D14/251	D887,155 S *	6/2020	Wesline	D6/356
D776,211 S *	1/2017	Gebhard	D21/685	D887,156 S *	6/2020	Wesline	D6/356
D781,429 S *	3/2017	Westdyk	D24/190	D890,552 S *	7/2020	Case	D6/672
D781,435 S *	3/2017	Eastman	D24/213	D897,729 S *	10/2020	Dennehy	D6/601
D786,446 S *	5/2017	Takama	D24/190	D900,507 S *	11/2020	Tsai	D6/611
D793,126 S *	8/2017	Small	D6/627	D903,360 S *	12/2020	Stevens	D6/375
D804,202 S *	12/2017	Proctor	D6/349	D903,376 S *	12/2020	Fu	D6/601
D823,025 S *	7/2018	Dennehy	D6/601	D907,399 S *	1/2021	Pavlin	D6/601
D823,479 S *	7/2018	Mollohan	D24/215	D907,942 S *	1/2021	You	D6/601
D830,363 S *	10/2018	Helms	D14/432	D908,229 S *	1/2021	Wagner	D24/191
D837,544 S *	1/2019	Comtois	D6/349	D913,384 S *	3/2021	Thiel	D21/686
D837,566 S *	1/2019	Connors	D6/601	2011/0053713 A1 *	3/2011	Bulloch	A63B 69/0097
10,179,261 B2 *	1/2019	Licklider	A63B 21/023				473/435
D840,930 S *	2/2019	Lu	D13/108	2013/0345028 A1 *	12/2013	Bes	A63B 22/0056
D843,133 S *	3/2019	Cohen	D6/601				482/79
				2014/0038797 A1 *	2/2014	Curry	A63B 21/023
							482/142
				2018/0332968 A1 *	11/2018	Djankovich	A47C 7/425

\* cited by examiner

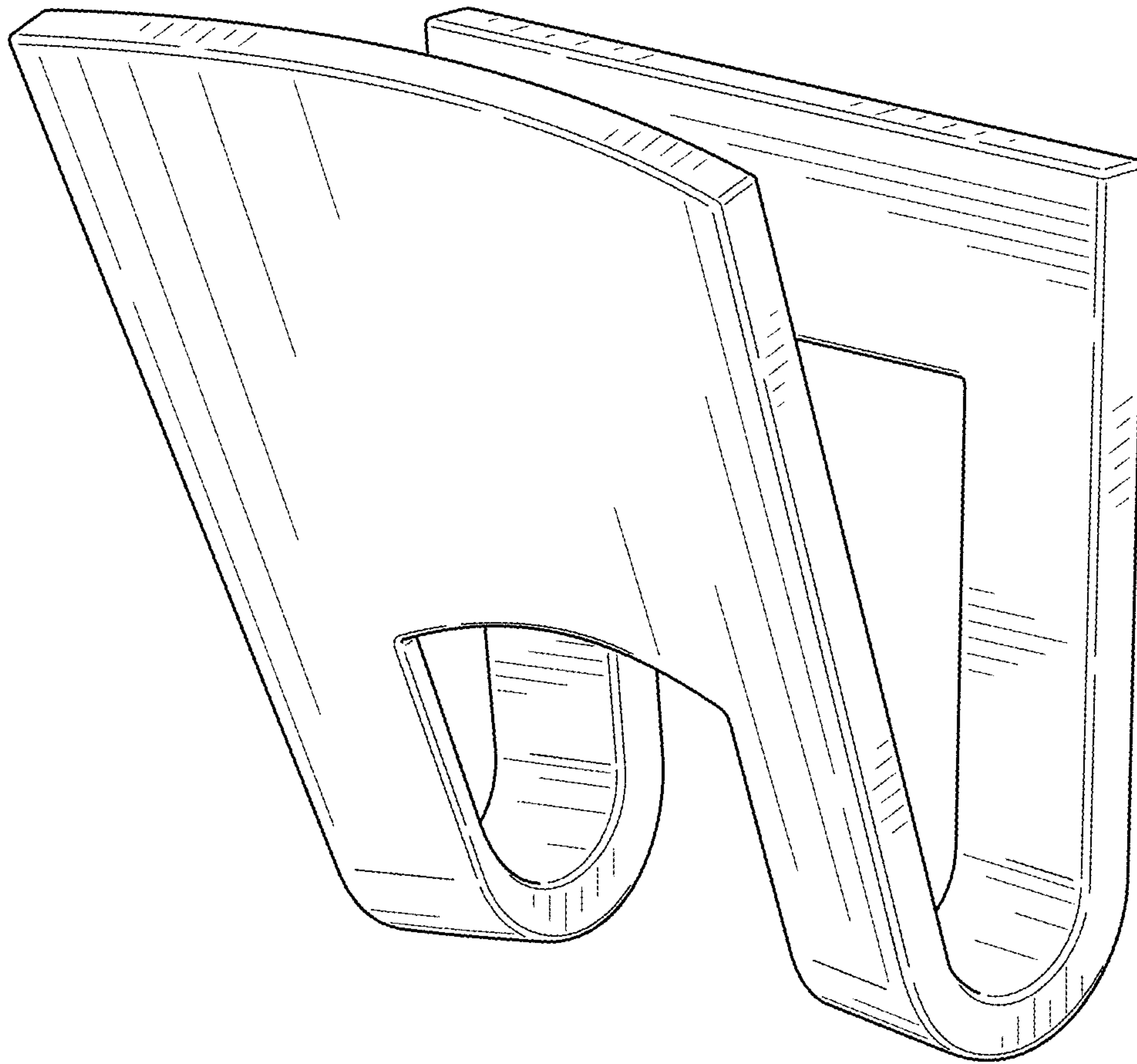


FIG. 1



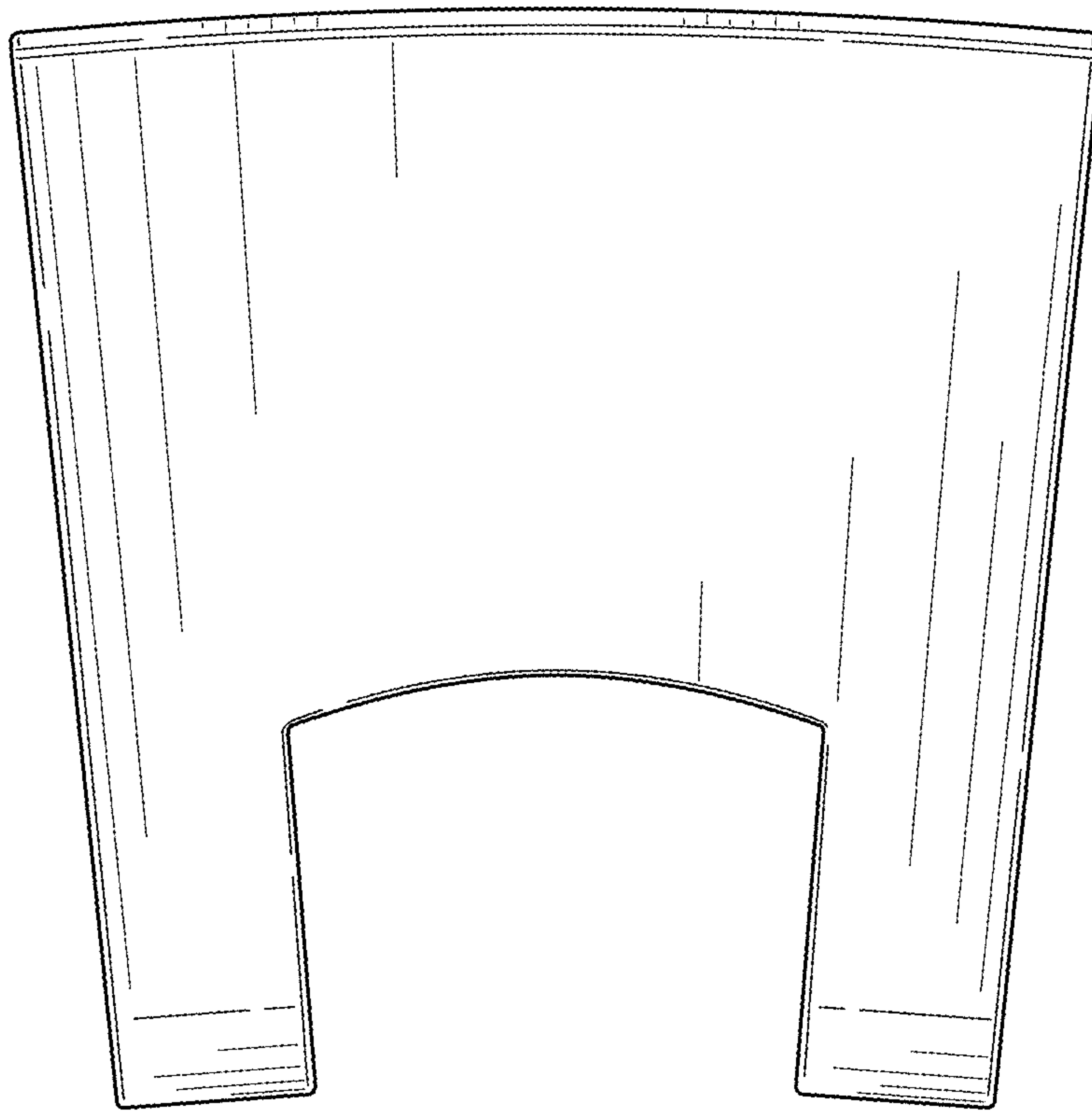


FIG. 2

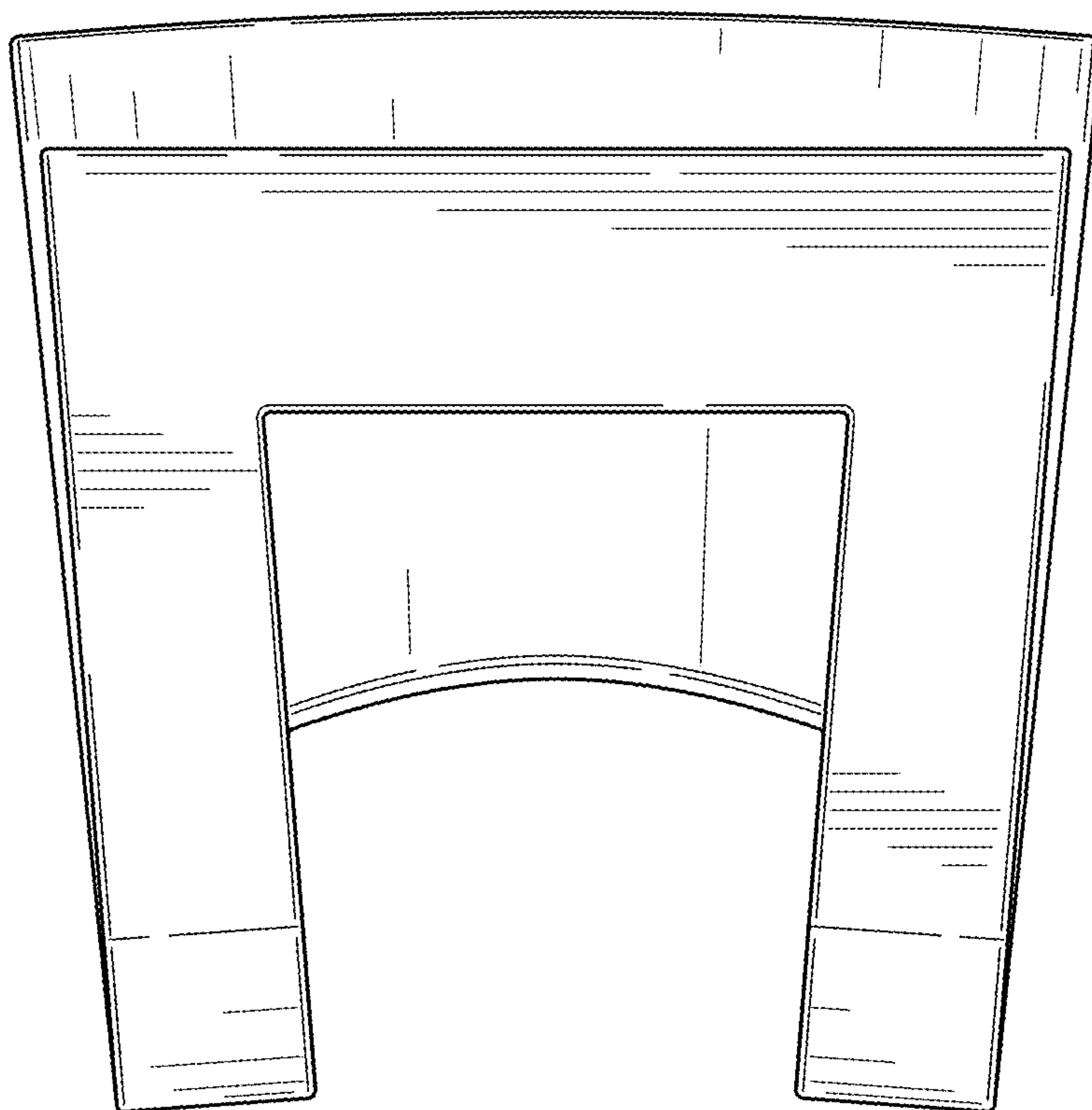


FIG. 3

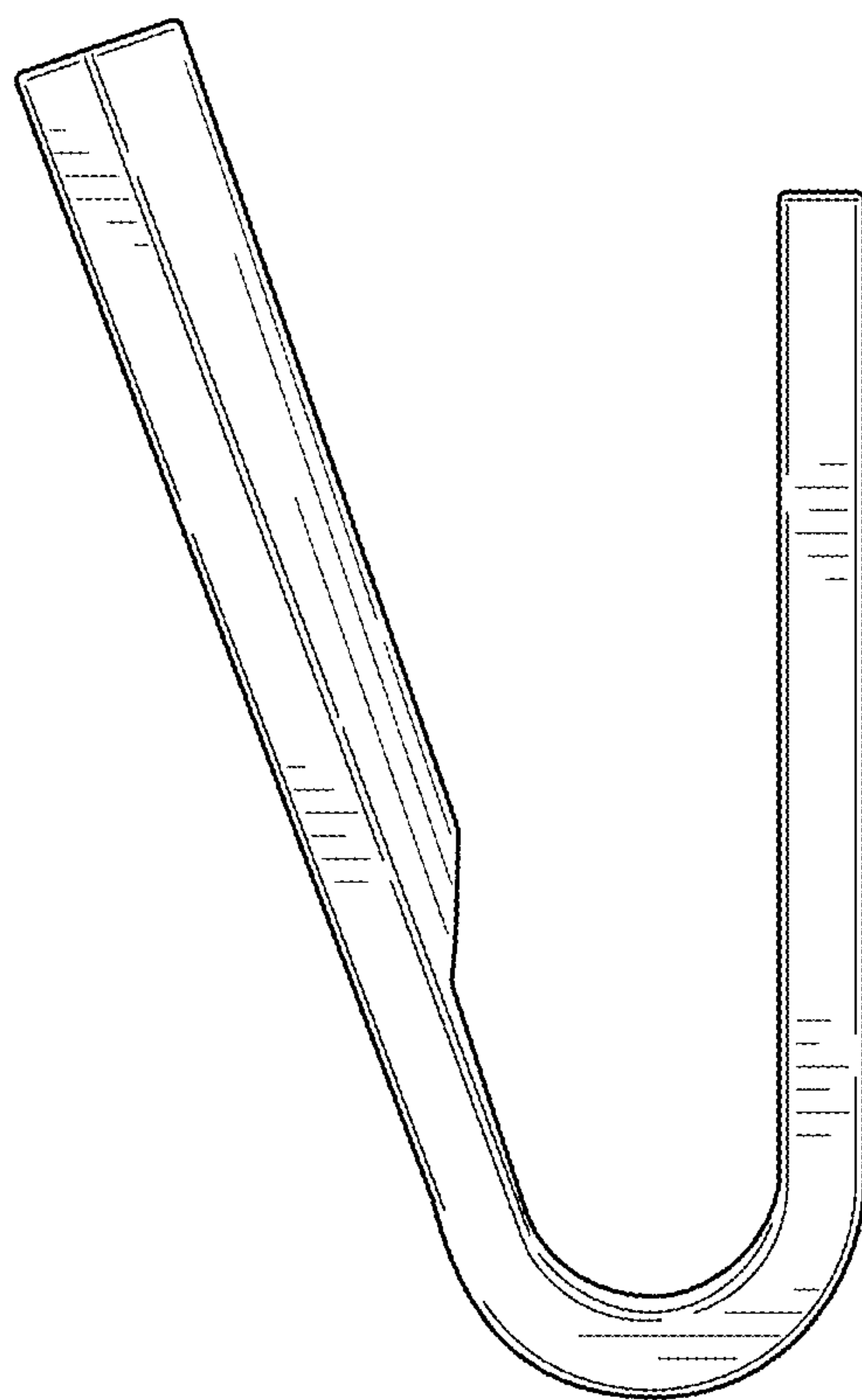


FIG. 4

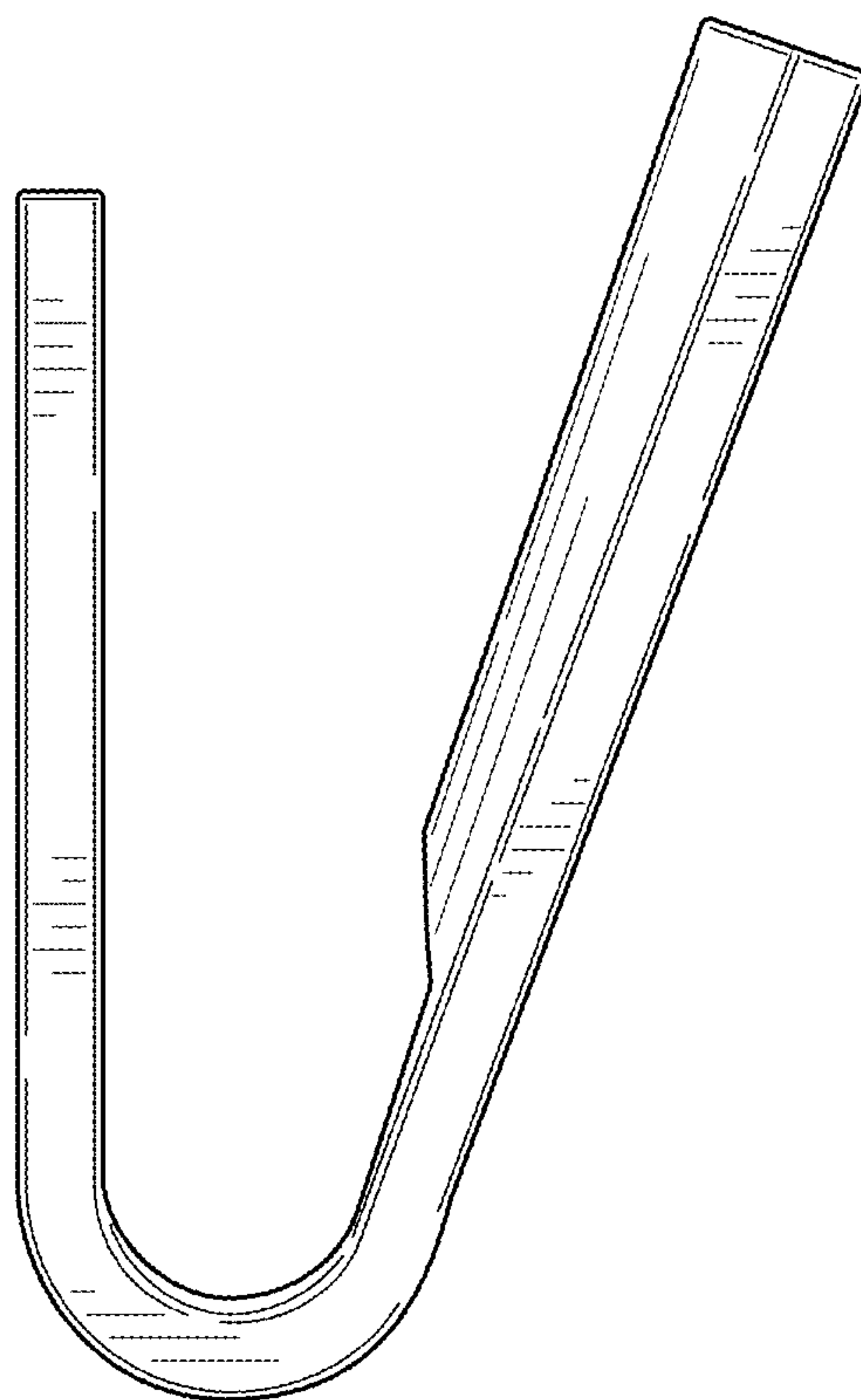


FIG. 5

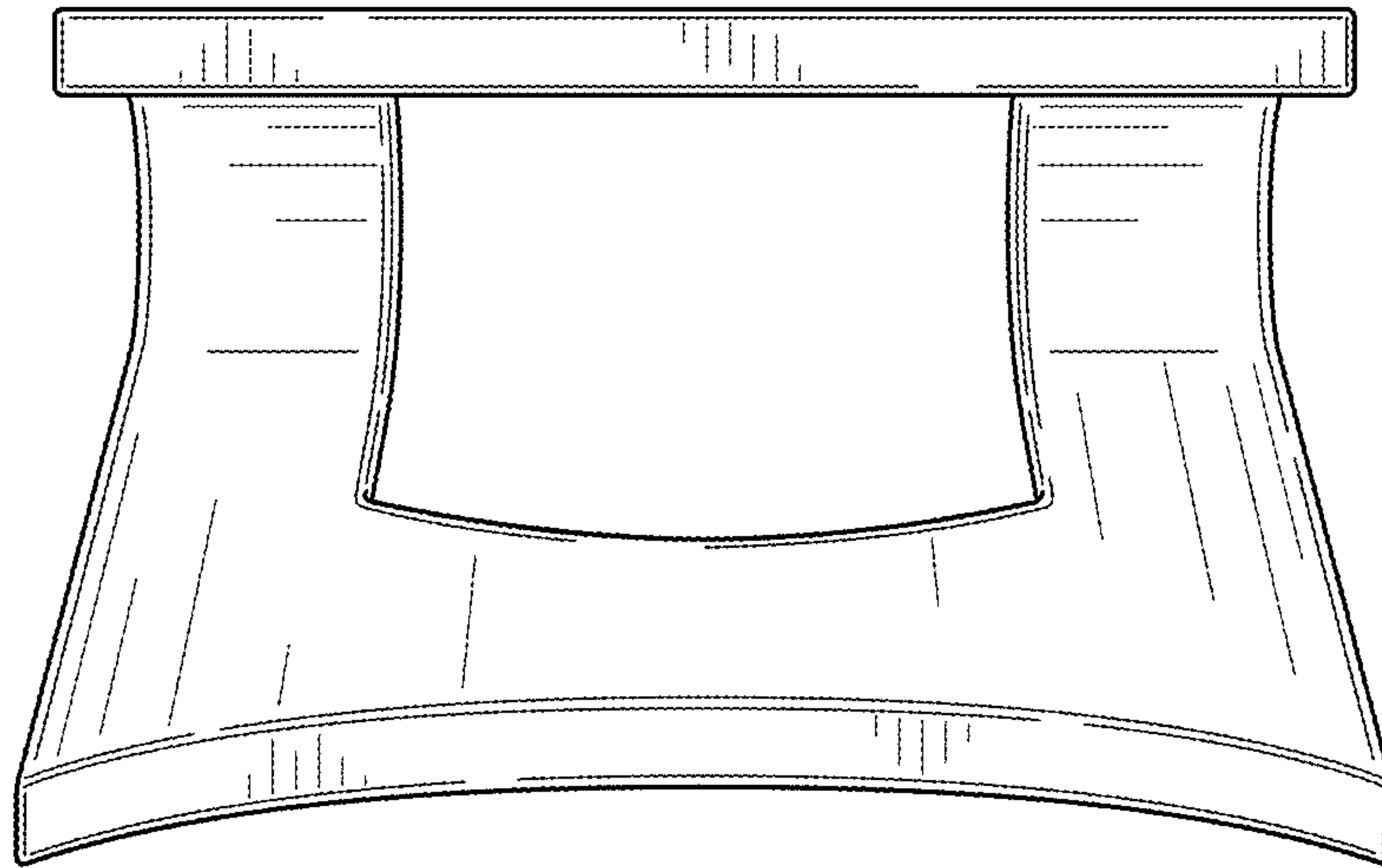


FIG. 6

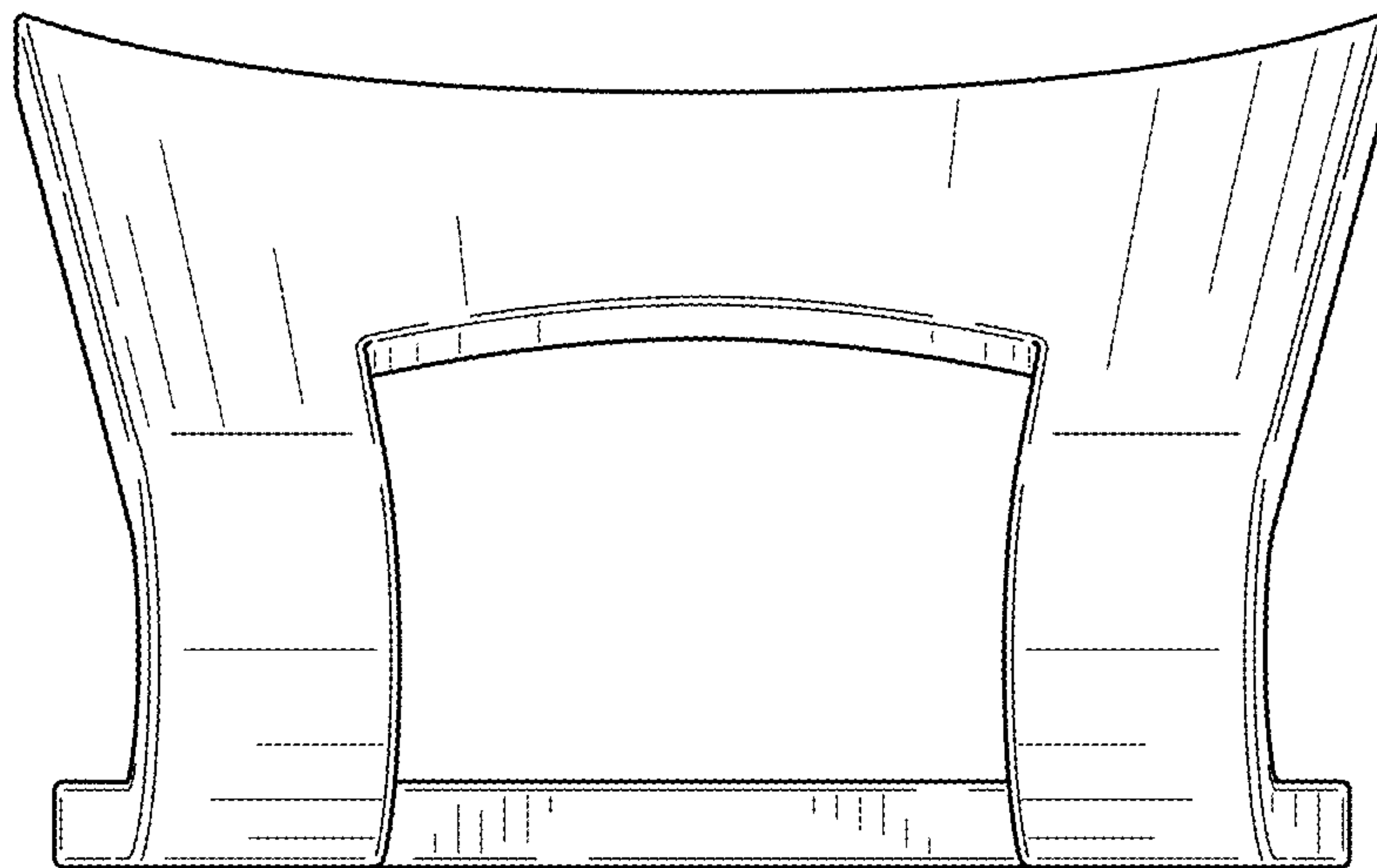


FIG. 7

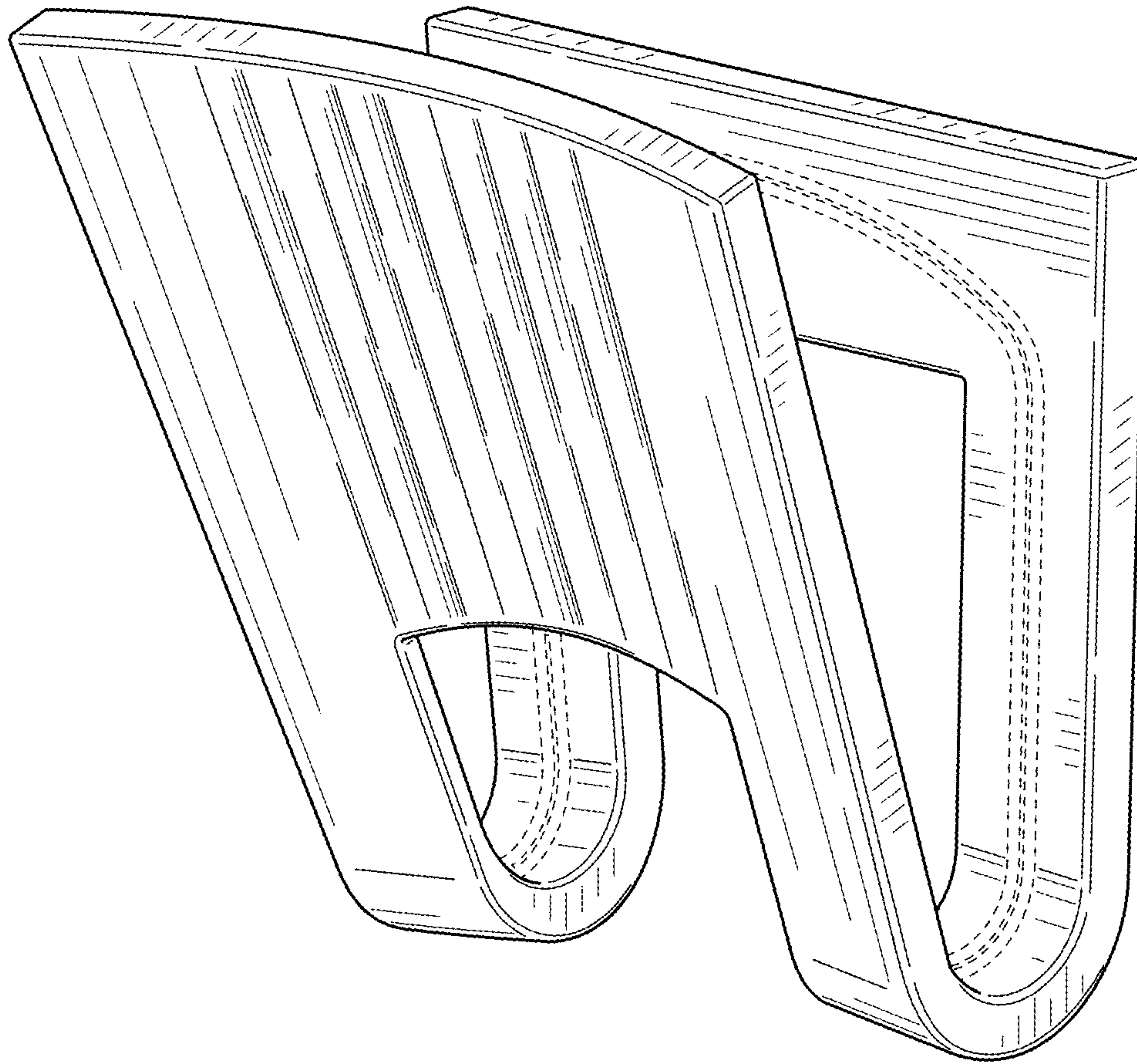


FIG. 8

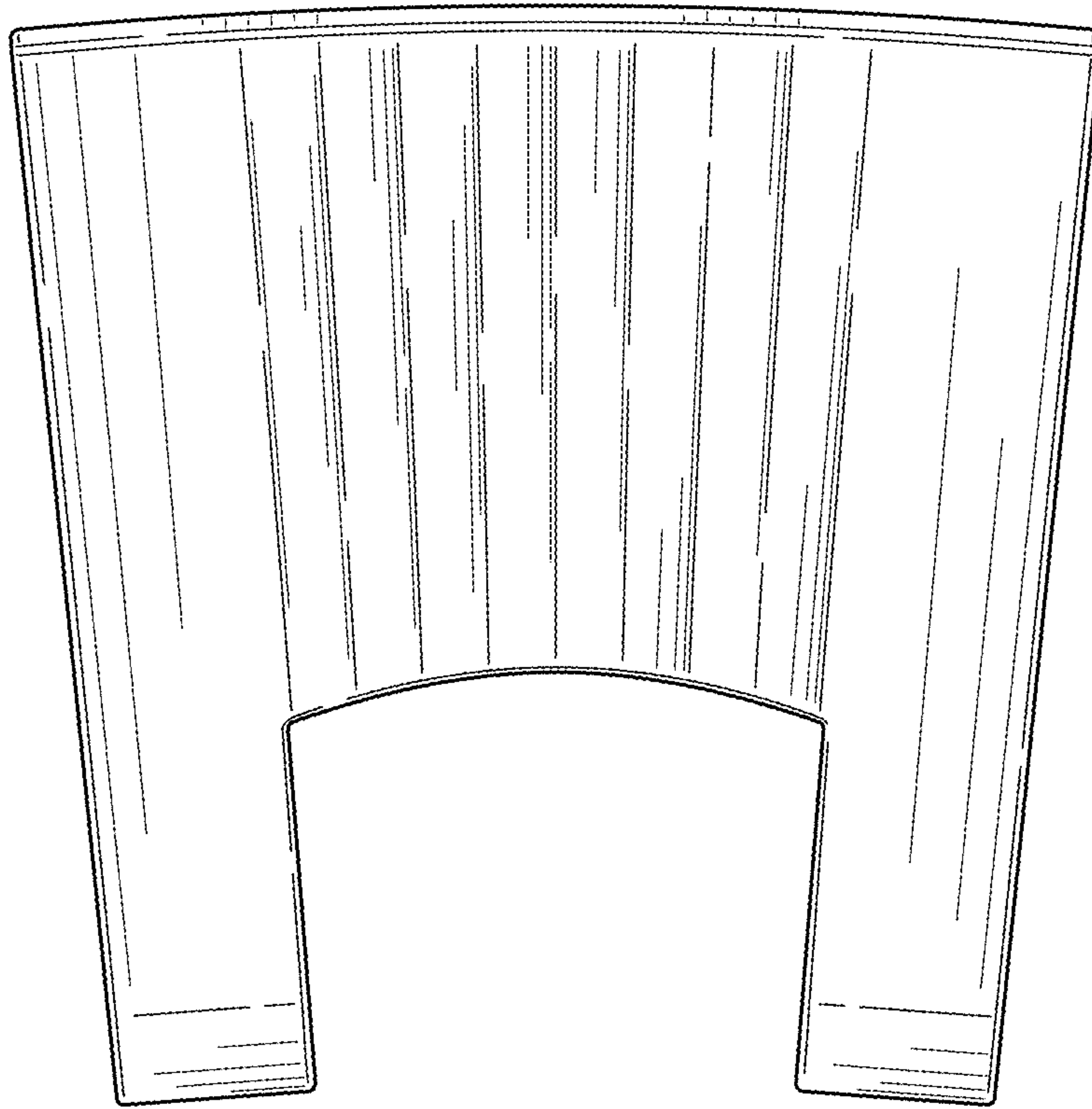


FIG. 9

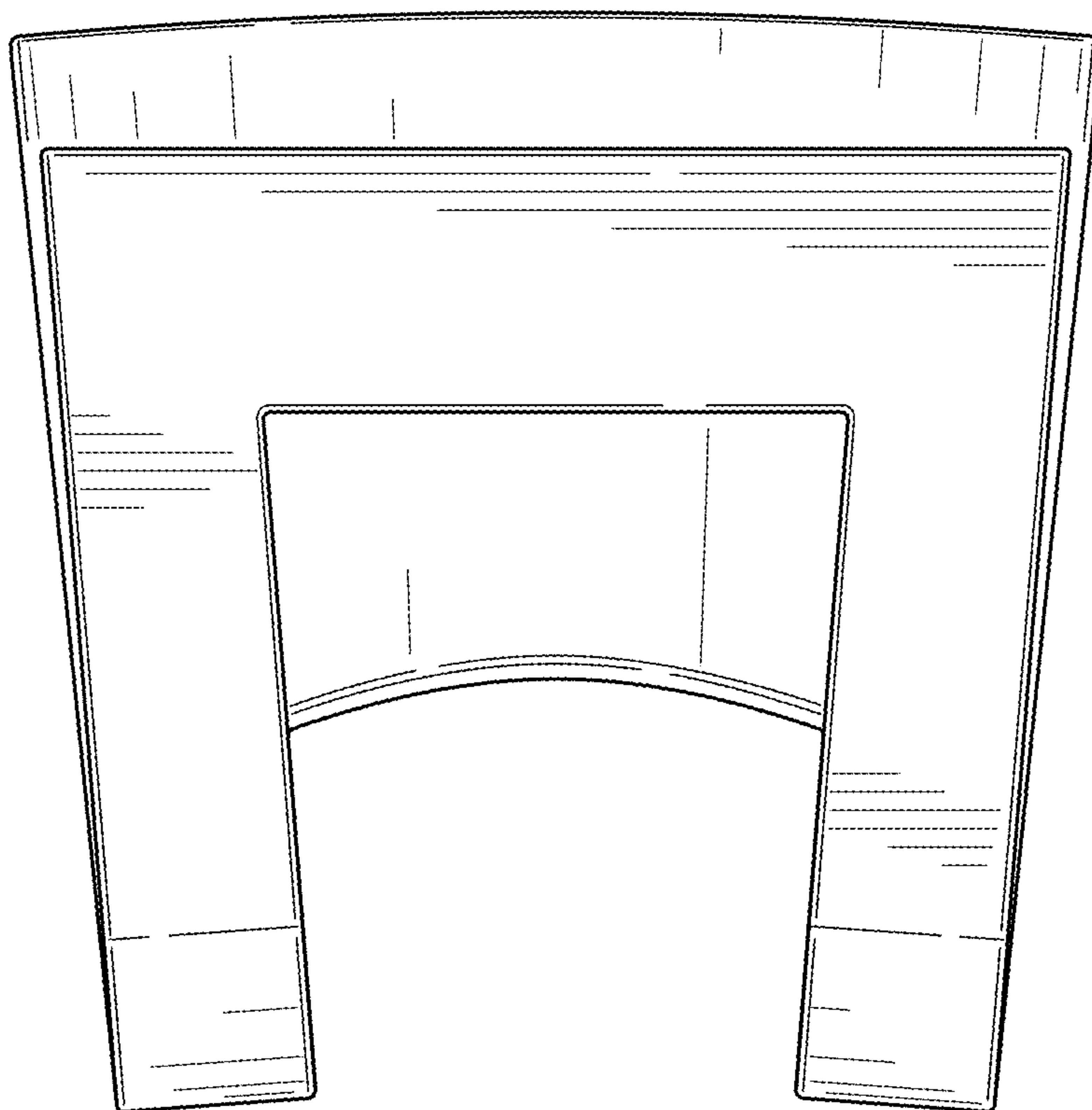


FIG. 10



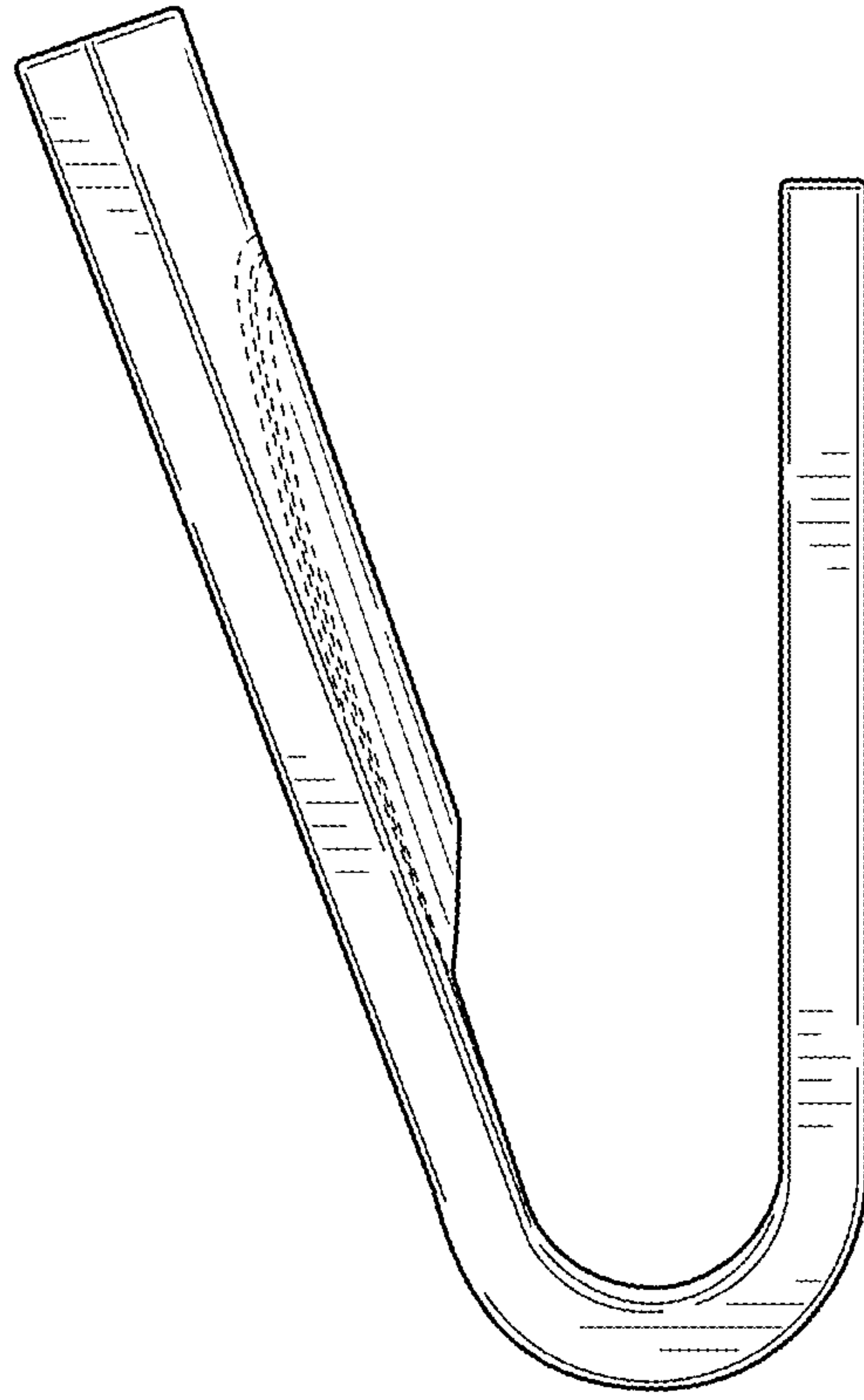


FIG. 11

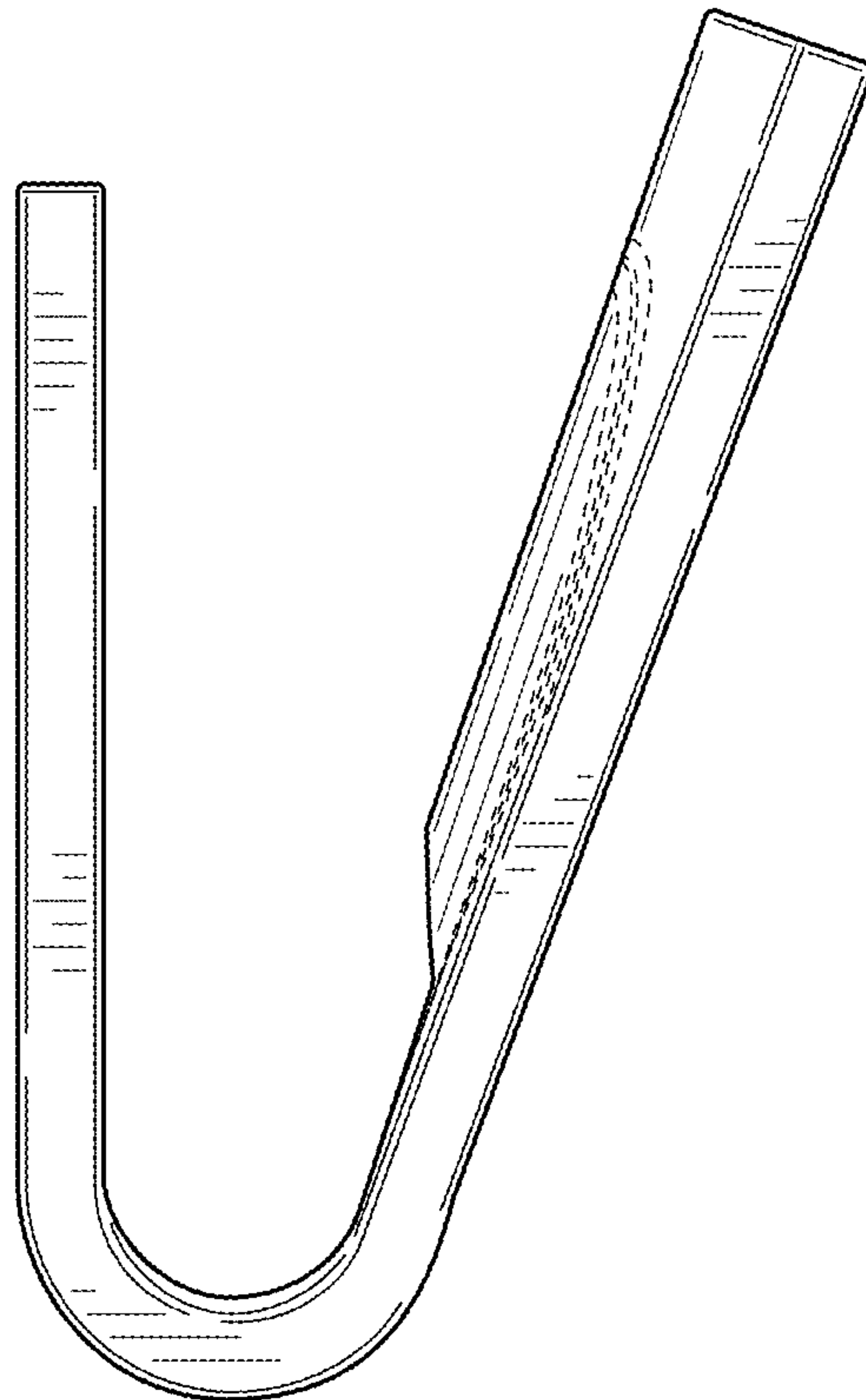


FIG. 12

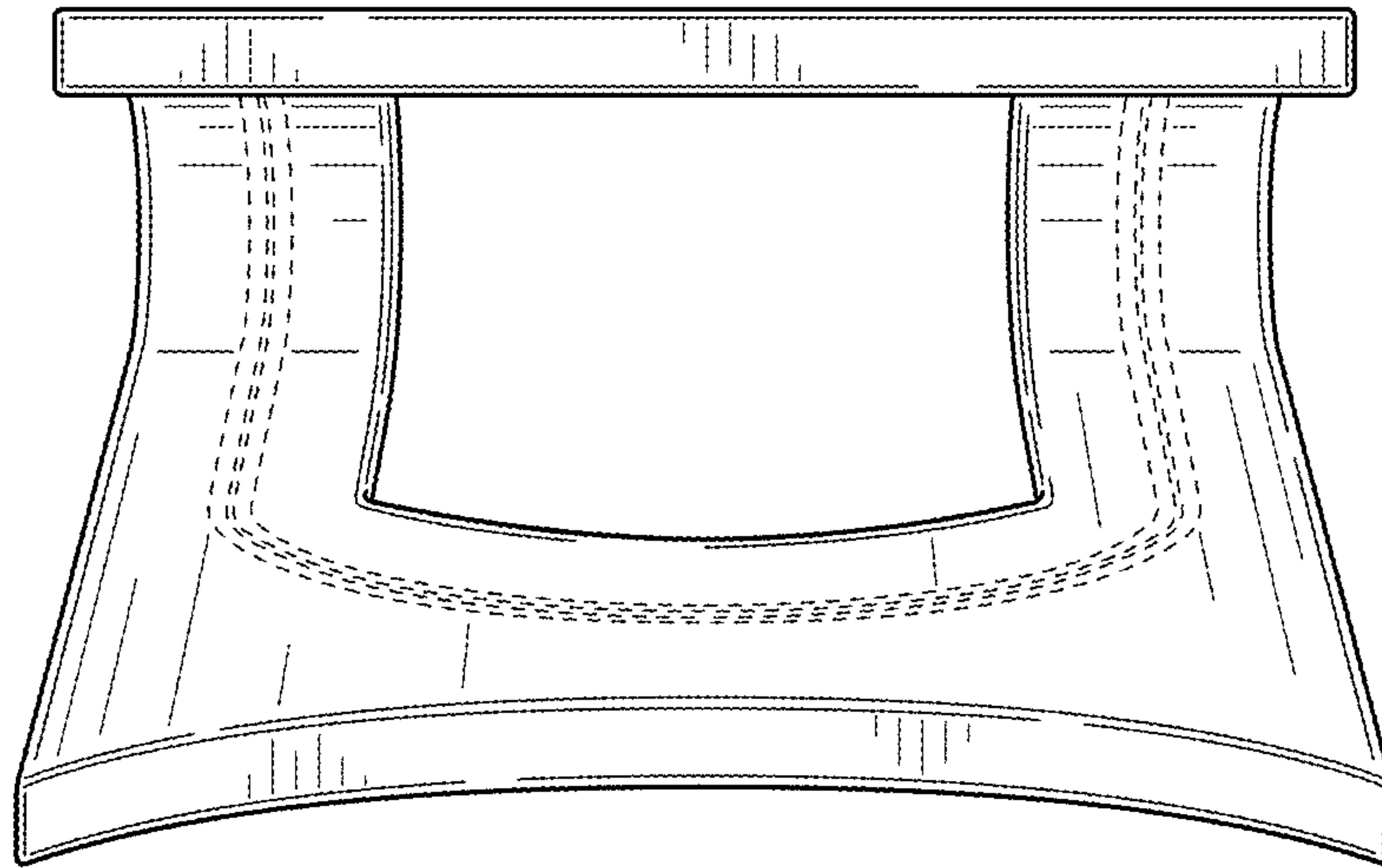


FIG. 13

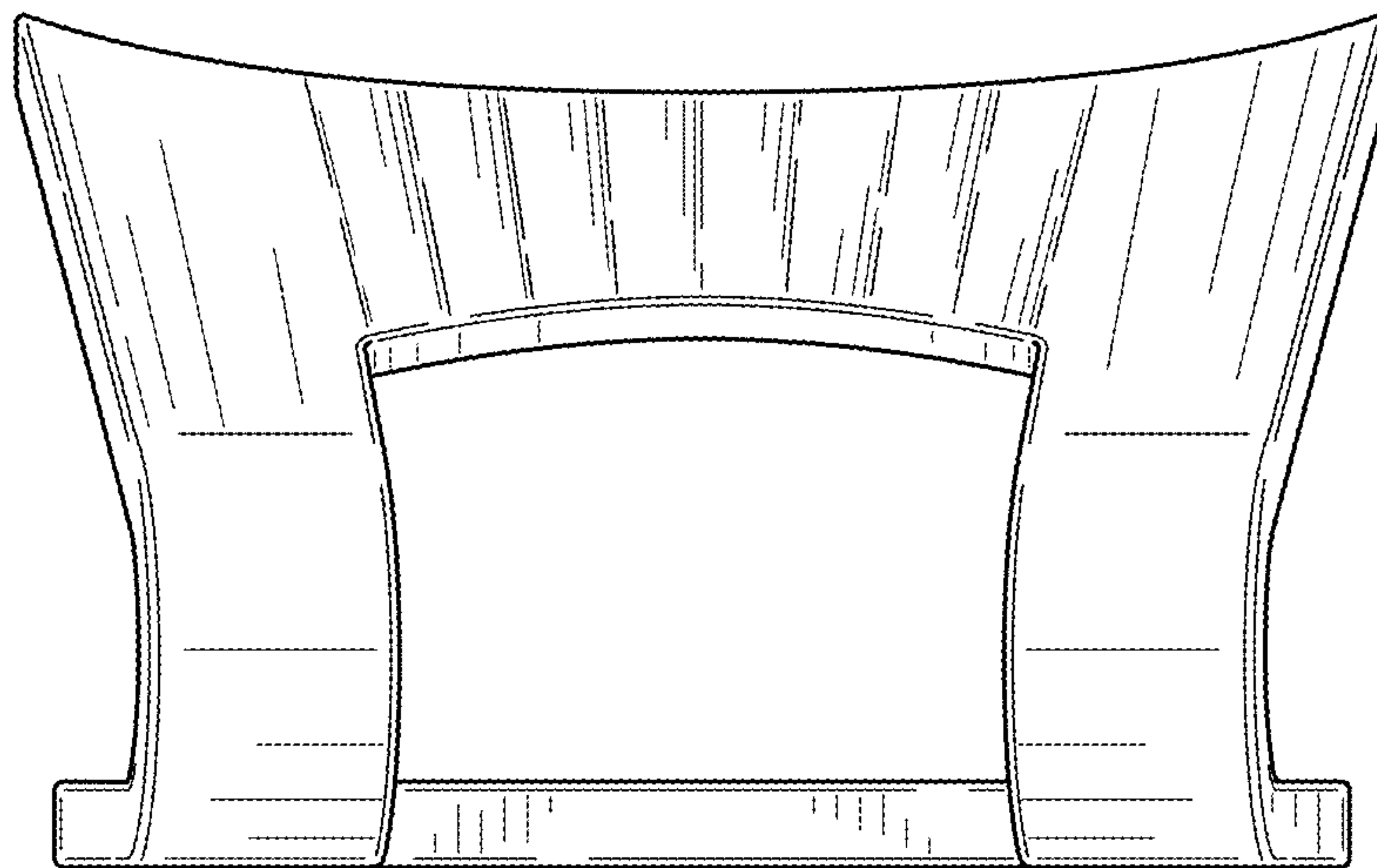


FIG. 14