



US00D927700S

(12) **United States Design Patent** (10) **Patent No.:** **US D927,700 S**
Kakuyama et al. (45) **Date of Patent:** **** Aug. 10, 2021**

(54) **MEDICAL ELECTRODE**

(56) **References Cited**

(71) Applicants: **OTSUKA TECHNO CORPORATION**, Tokushima (JP);
ITO CO., LTD., Tokyo (JP)

(72) Inventors: **Hiroki Kakuyama**, Tokushima (JP);
Tetsuya Masuda, Tokushima (JP);
Makoto Sasaki, Tokyo (JP)

(73) Assignee: **OTSUKA TECHNO CORPORATION**, Tokyo (JP)

(**) Term: **15 Years**

(21) Appl. No.: **35/508,735**

(22) Filed: **Sep. 6, 2019**

(80) **Hague Agreement Data**

Int. Filing Date: **Sep. 6, 2019**
Int. Reg. No.: **DM/206134**
Int. Reg. Date: **Sep. 6, 2019**
Int. Reg. Pub. Date: **Mar. 6, 2020**

(30) **Foreign Application Priority Data**

Mar. 8, 2019 (JP) JP2019-004906
Mar. 8, 2019 (JP) JP2019-004907

(51) **LOC (13) Cl.** **24-02**

(52) **U.S. Cl.**
USPC **D24/187**

(58) **Field of Classification Search**
USPC D24/107, 164, 165, 166, 167, 168, 186,
D24/187, 200

CPC A61B 5/202; A61B 5/391; A61B 2505/09;
A61B 2560/0214; A61B 5/6832; A61N
1/0456; A61N 1/36007; A61N 1/36021;
A61N 1/0476; A61N 1/0492; A61N 1/36;
A61N 1/36031; A61N 1/36034

See application file for complete search history.

U.S. PATENT DOCUMENTS

D761,435 S * 7/2016 Mizuno D24/187
D773,058 S * 11/2016 Takizawa D24/187
D792,976 S * 7/2017 Krause D24/187
D797,574 S * 9/2017 Dascoli D9/732
D822,838 S * 7/2018 Zuckerman-Stark D24/187
D831,830 S * 10/2018 Lemons D24/168
D857,205 S * 8/2019 Lemons D24/168
D879,305 S * 3/2020 Gu D24/187
D886,303 S * 6/2020 Huang D24/187
10,675,463 B2 * 6/2020 Masuda A61B 5/391
(Continued)

OTHER PUBLICATIONS

Mactor-engineerina Co., Ltd., Ms-148, (Known Material No. HJ28056108 of JPO Industrial Design Section), prior to Sep. 6, 2019.

Primary Examiner — Samantha Q Lawrence
(74) *Attorney, Agent, or Firm* — Birch, Stewart, Kolasch & Birch, LLP

(57) **CLAIM**

The ornamental design for a medical electrode, as shown and described.

DESCRIPTION

1. Medical electrode
Figure 1.1 is a perspective view of a medical electrode;
Figure 1.2 is a top view thereof;
Figure 1.3 is a front view thereof;
Figure 1.4 is a bottom view thereof; and
Figure 1.5 is a right side view thereof, the left side being a mirror image thereof;
Figure 1.6 is a back view thereof;
Figure 1.7 is a cross-section view thereof taken along the A-A line shown in Figure 1.3;
Figure 1.8 is a cross-section view thereof taken along the line B-B shown in Figure 1.3; and

(Continued)

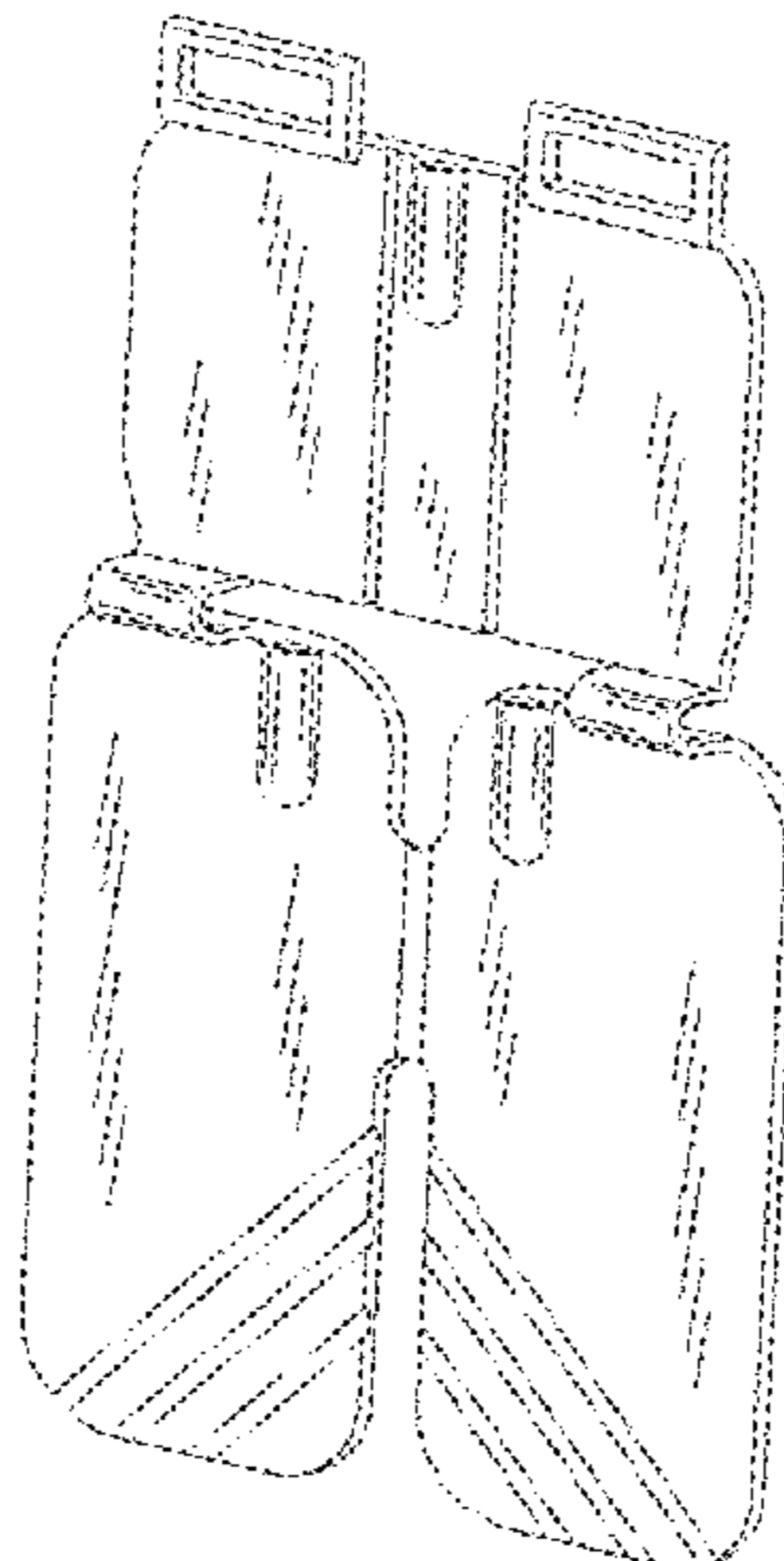


Figure 1.9 is a cross-section view thereof taken along the line C-C shown in Figure 1.3.

1 Claim, 9 Drawing Sheets

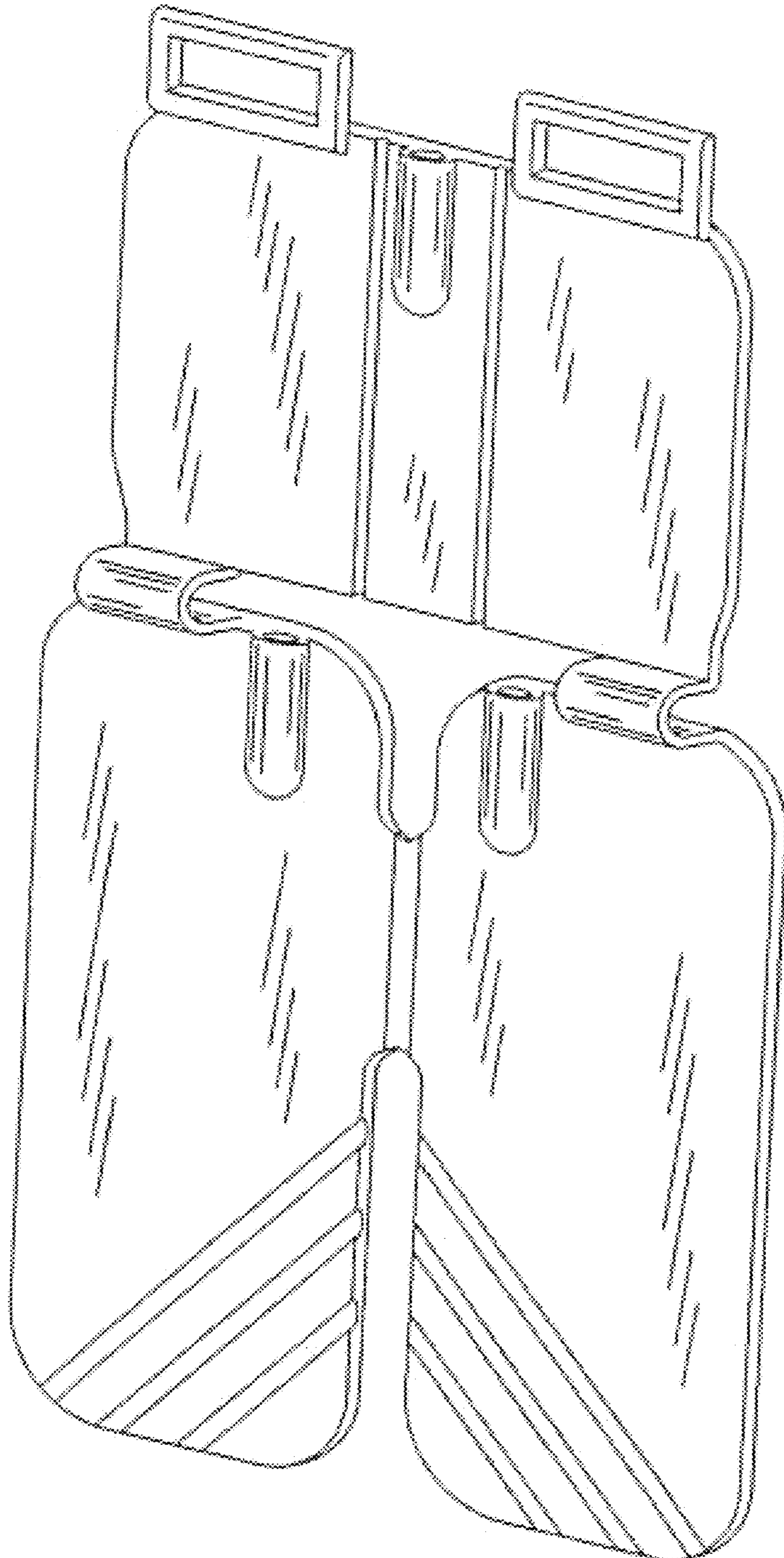
(56) **References Cited**

U.S. PATENT DOCUMENTS

10,675,464	B2 *	6/2020	Masuda	A61N 1/0456
D889,662	S *	7/2020	Hubelbank	D24/168
D904,305	S *	12/2020	Alexandrov	D13/121

* cited by examiner

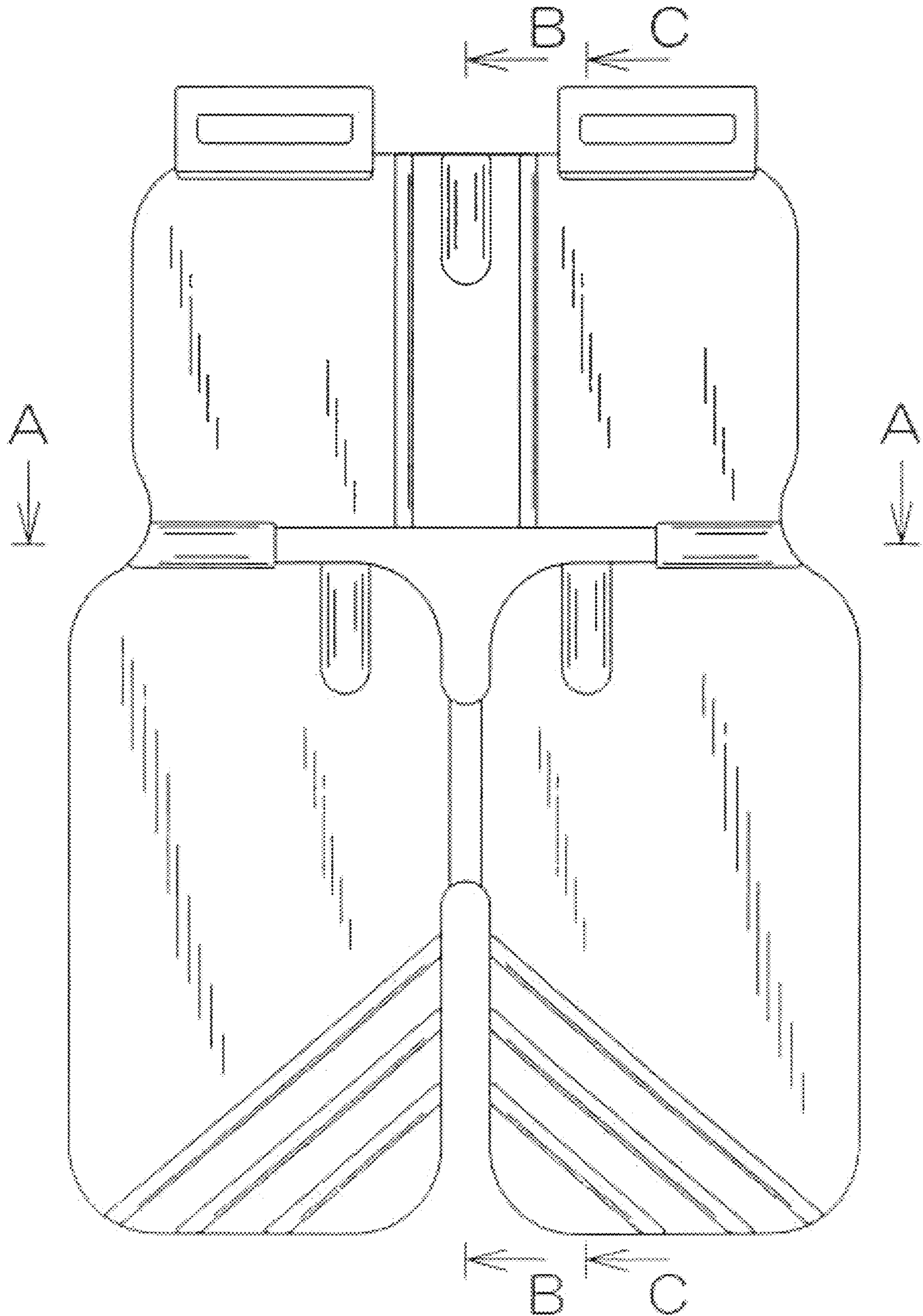
1.1



1.2



1.3



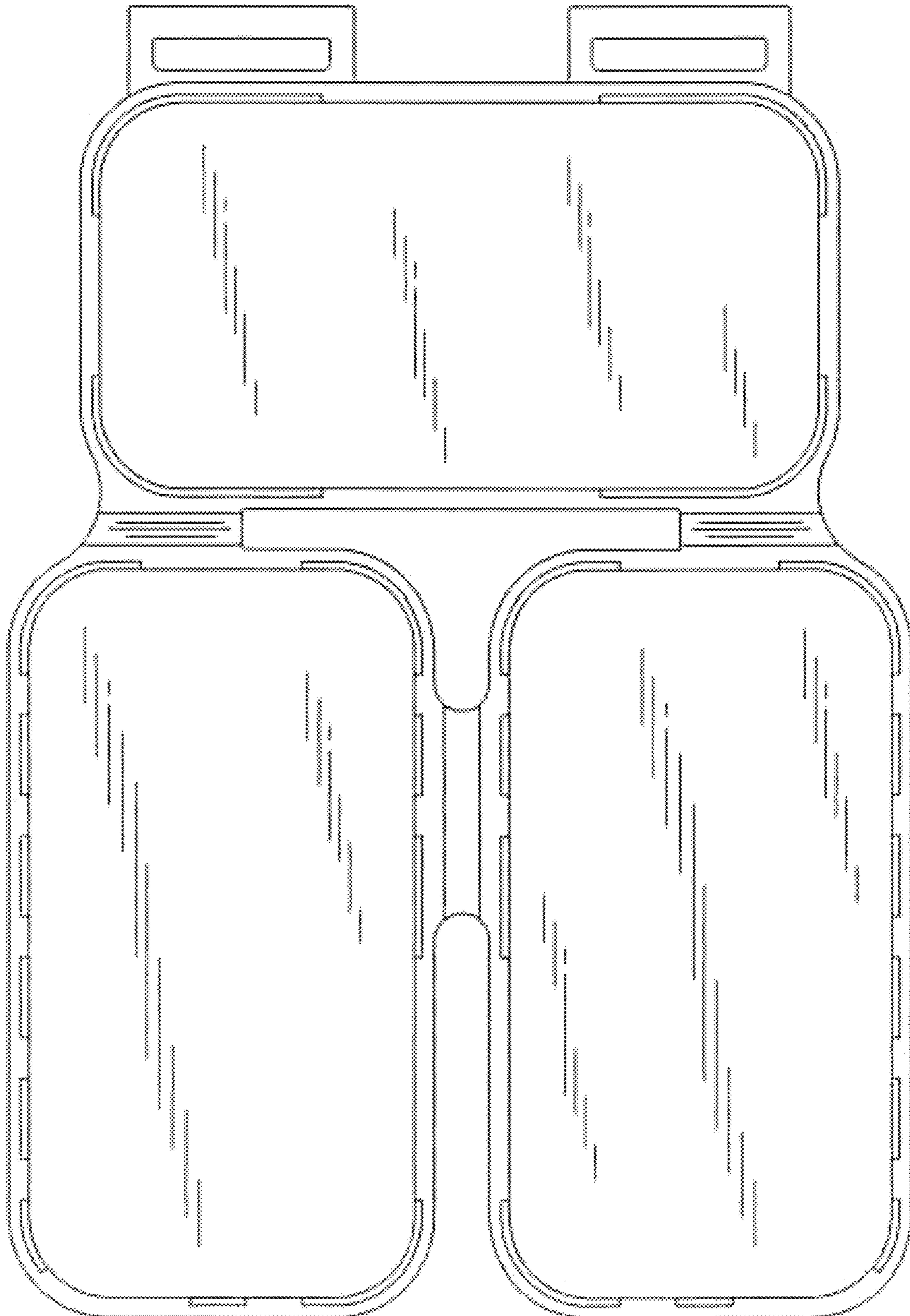
1.4



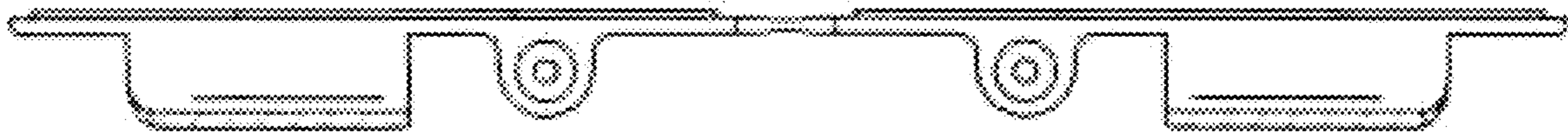
1.5



1.6



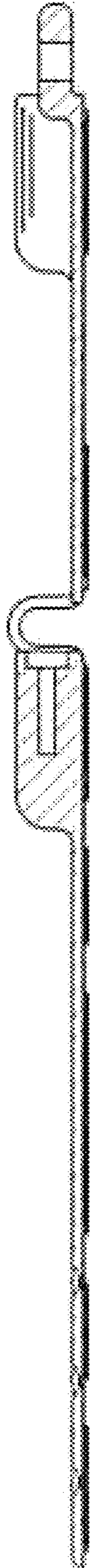
1.7



1.8



1.9



UNITED STATES PATENT AND TRADEMARK OFFICE
CERTIFICATE OF CORRECTION

PATENT NO. : D927,700 S
APPLICATION NO. : 35/508735
DATED : August 10, 2021
INVENTOR(S) : Hiroki Kakuyama et al.

Page 1 of 1

It is certified that error appears in the above-identified patent and that said Letters Patent is hereby corrected as shown below:

On the Title Page

Please change:

“(73) Assignee OTSUKA TECHNO CORPORATION TOKYO (JP)”

To:

-- (73) Assignees OTSUKA TECHNO CORPORATION TOKUSHIMA (JP)
ITO CO., LTD. TOKYO (JP) --

Signed and Sealed this
Twenty-first Day of September, 2021



Drew Hirshfeld
*Performing the Functions and Duties of the
Under Secretary of Commerce for Intellectual Property and
Director of the United States Patent and Trademark Office*