



US00D927695S

(12) **United States Design Patent**
Swan

(10) **Patent No.:** **US D927,695 S**

(45) **Date of Patent:** **** Aug. 10, 2021**

- (54) **DENTAL MATRIX BAND**
- (71) Applicant: **ULTRADENT PRODUCTS, INC.**,
South Jordan, UT (US)
- (72) Inventor: **Taylor J. Swan**, South Jordan, UT (US)
- (73) Assignee: **Ultradent Products, Inc.**, South
Jordan, UT (US)
- (**) Term: **15 Years**
- (21) Appl. No.: **29/685,311**
- (22) Filed: **Mar. 27, 2019**
- (51) **LOC (13) Cl.** **24-02**
- (52) **U.S. Cl.**
USPC **D24/181; D24/176**
- (58) **Field of Classification Search**
USPC **D24/152-154, 176-182, 107, 155, 156;**
D29/108
CPC .. **A61C 5/00; A61C 5/12; A61C 5/122; A61C**
5/125; A61C 5/127; A61C 7/00; A61C
7/18; A61C 15/00
See application file for complete search history.

- 3,482,314 A * 12/1969 Tofflemire A61C 5/85
433/39
- 3,842,505 A * 10/1974 Eames A61C 5/85
433/39
- D297,362 S * 8/1988 Dragan D24/181
(Continued)

OTHER PUBLICATIONS

Composi-Tight M-series Matrix Bands, [site visited Oct. 13, 2020]. Available from Internet. URL: <https://www.garrisdental.com/en/matrix-bands/composi-tight-m-bands> Apr. 18, 2018 (Year: 2018).*
(Continued)

Primary Examiner — T Chase Nelson
Assistant Examiner — Kelly L Gross
(74) *Attorney, Agent, or Firm* — Maschoff Brennan

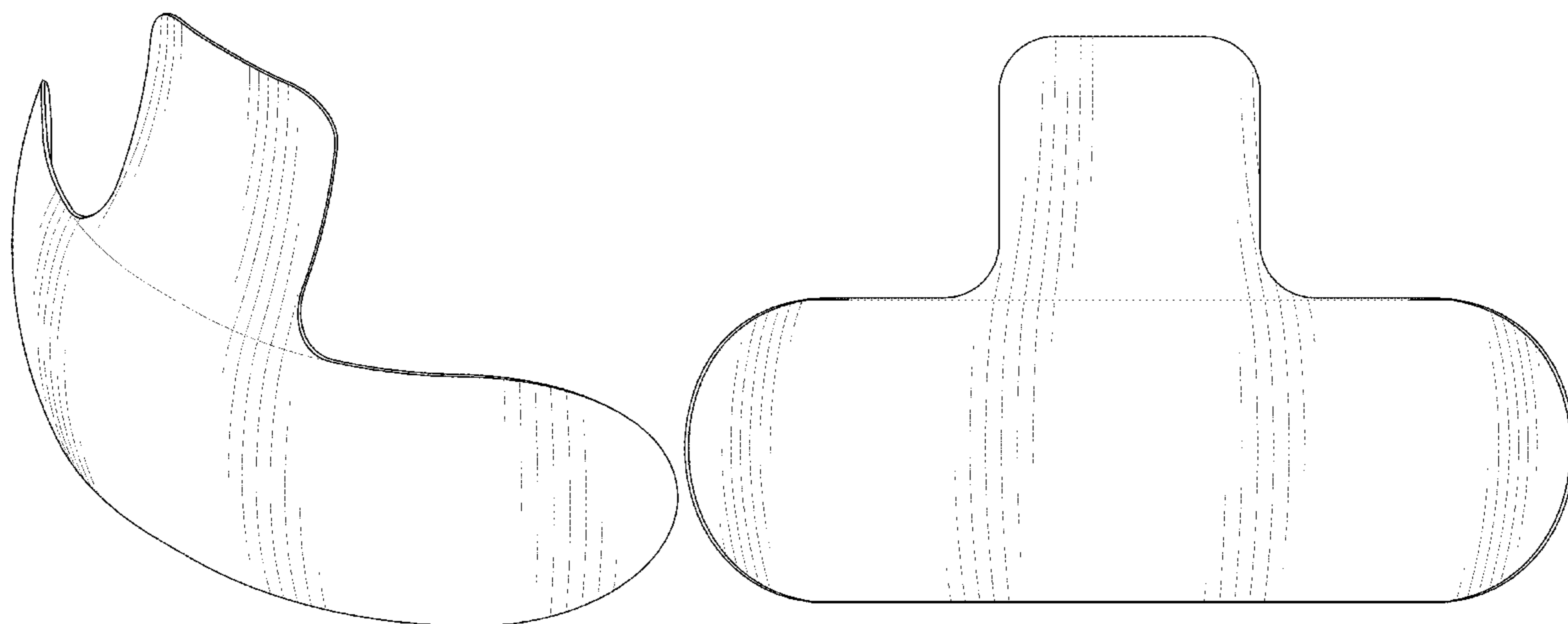
(57) **CLAIM**

The ornamental design for a dental matrix band, as shown and described.

DESCRIPTION

FIG. 1 is a first upper perspective view of a dental matrix band;
FIG. 2 is a second upper perspective view of the dental matrix band of FIG. 1;
FIG. 3 is a front view of the dental matrix band of FIG. 1;
FIG. 4 is a rear view of the dental matrix band of FIG. 1;
FIG. 5 is a left side view of the dental matrix band of FIG. 1;
FIG. 6 is a right side view of the dental matrix band of FIG. 1;
FIG. 7 is a top view of the dental matrix band shown in FIG. 1; and,
FIG. 8 is a bottom view of the dental matrix band shown in FIG. 1.
The broken lines showing portions of the dental matrix band are included for the purpose of illustrating environmental structures and form no part of the claimed design.

1 Claim, 7 Drawing Sheets



(56)

References Cited

U.S. PATENT DOCUMENTS

5,035,615 A * 7/1991 Din A61C 5/85
433/215
5,330,353 A * 7/1994 Wavrin A61C 5/85
433/226
5,586,883 A * 12/1996 Nakisher A61C 5/85
433/39
5,730,592 A * 3/1998 Meyer A61C 5/85
433/39
D406,442 S * 3/1999 Allen D2/892
D424,740 S * 5/2000 Ono D28/4
D434,524 S * 11/2000 Kalafsky D24/189
D595,414 S * 6/2009 McDonald D24/181
D599,020 S * 8/2009 McDonald D24/181
D599,021 S * 8/2009 McDonald D24/181
D599,022 S * 8/2009 McDonald D24/181
D604,854 S * 11/2009 McDonald D24/181
D605,298 S * 12/2009 McDonald D24/181
D640,421 S * 6/2011 Wright D29/122
D662,203 S * 6/2012 Smith B29C 59/04
D24/135
D675,337 S * 1/2013 Peplow D24/227
D690,020 S * 9/2013 Quimby D24/191
D690,423 S * 9/2013 Pieroni D24/181
D692,124 S * 10/2013 Austin D24/110.1
D698,924 S * 2/2014 Pieroni D24/181
D705,938 S * 5/2014 McDonald D24/181
D721,812 S * 1/2015 Haraden D24/181
D721,813 S * 1/2015 Haraden D24/181
9,084,649 B2 * 7/2015 Kansal A61C 7/00
D747,809 S * 1/2016 Anderson D24/181
D756,522 S * 5/2016 Anderson D24/181
9,414,895 B2 * 8/2016 Clark A61C 5/85
D766,445 S * 9/2016 Brown D24/181
D792,594 S * 7/2017 Nicholson D24/176
D799,048 S * 10/2017 Wigal D24/180
9,883,922 B2 * 2/2018 McDonald A61C 5/88
D861,172 S * 9/2019 Yang D24/176
10,441,394 B2 * 10/2019 McDonald A61C 5/85

D901,012 S * 11/2020 Davies A61C 5/85
D24/155
D908,875 S * 1/2021 Ashkenazi D24/141
10,898,305 B2 * 1/2021 McDonald A61C 5/85
2005/0089814 A1 * 4/2005 Slone A61C 5/85
433/39
2005/0287491 A1 * 12/2005 Slone A61C 5/85
433/39
2007/0154860 A1 * 7/2007 Kerle A61C 5/85
433/39
2008/0176179 A1 * 7/2008 Coffee A61C 5/85
433/7
2009/0142725 A1 * 6/2009 Bryant A61C 5/85
433/39
2011/0070555 A1 * 3/2011 Anderson A61C 5/85
433/39
2012/0129125 A1 * 5/2012 Ibrahim A61C 5/85
433/39
2013/0052608 A1 * 2/2013 Fatiny A61C 5/85
433/39
2013/0216973 A1 * 8/2013 Haraden A61C 5/85
433/39
2014/0051032 A1 * 2/2014 Haraden A61C 5/85
433/39
2015/0150651 A1 * 6/2015 McDonald A61C 5/88
433/149
2015/0182302 A1 * 7/2015 McDonald A61C 5/85
433/39
2017/0231720 A1 * 8/2017 McDonald A61C 5/85
433/29
2018/0014913 A1 * 1/2018 Fatiny A61C 5/85
2019/0350679 A1 * 11/2019 Thai A61C 5/85

OTHER PUBLICATIONS

Placing the Matrix Band,—Garrison Dental [site visited Oct. 13, 2020]. Available from Internet. URL: <https://www.youtube.com/watch?v=5Tpj9xP2Zpc> Apr. 18, 2018 (Year: 2018).*

* cited by examiner

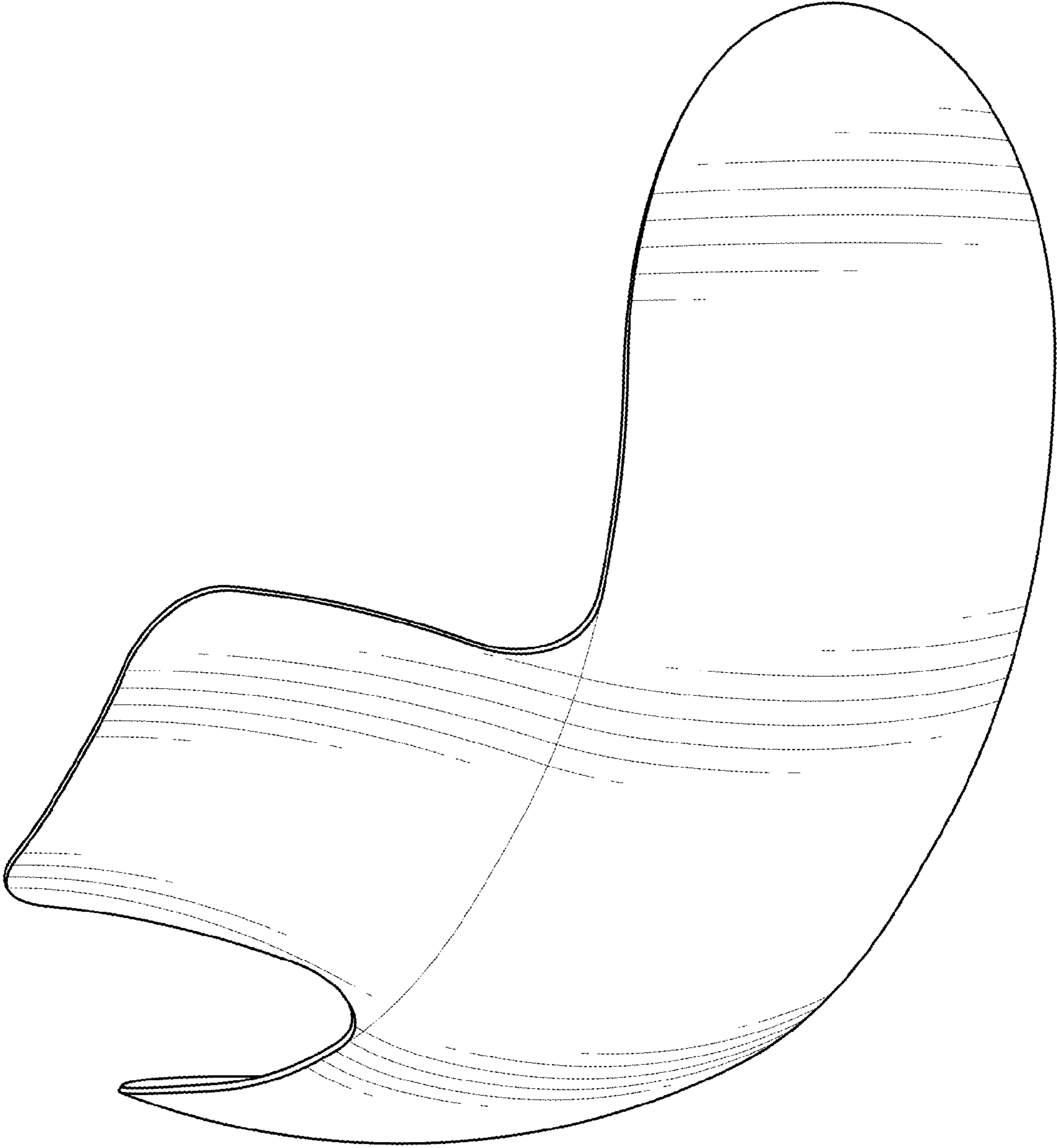


FIG. 1

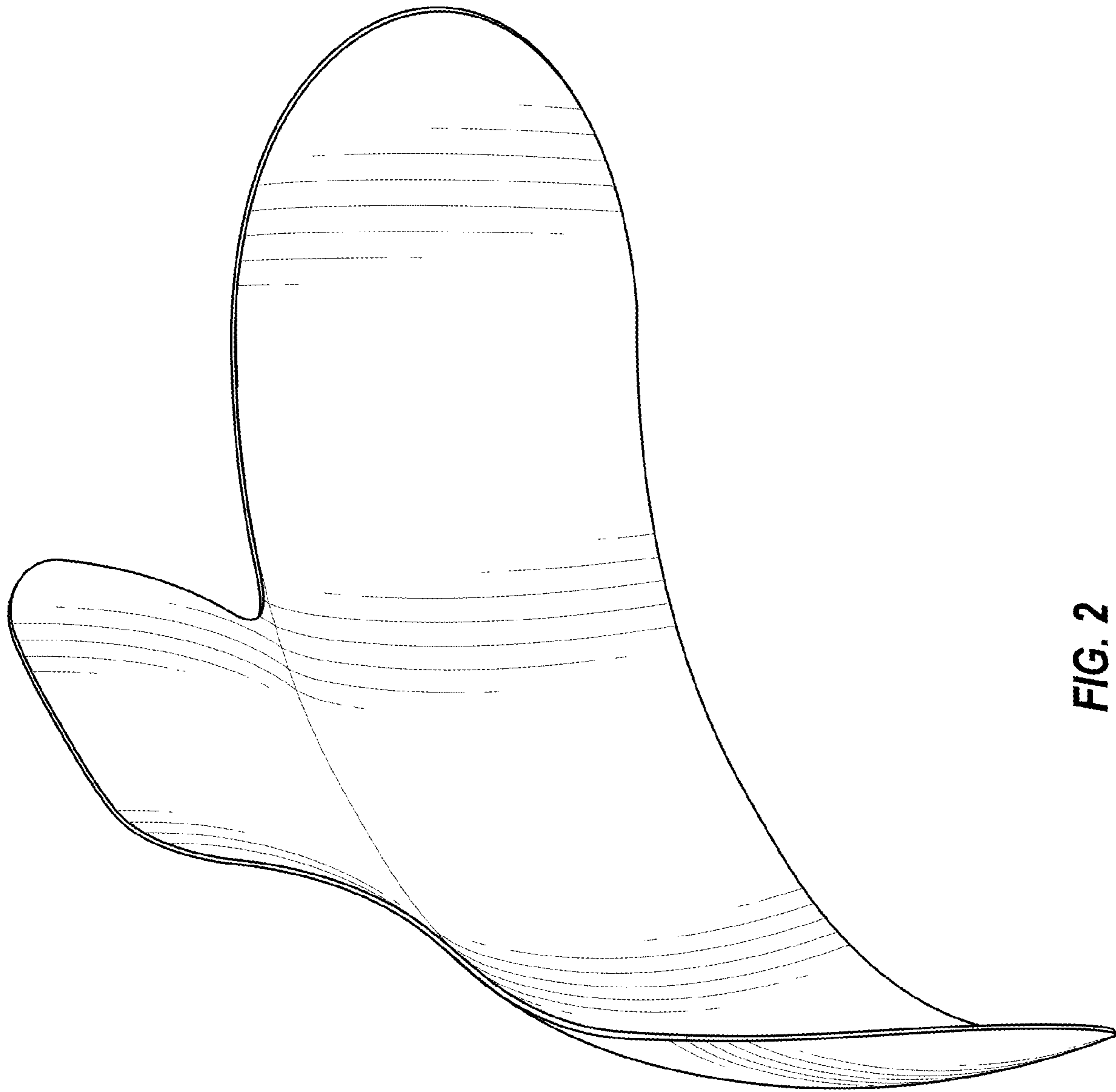


FIG. 2

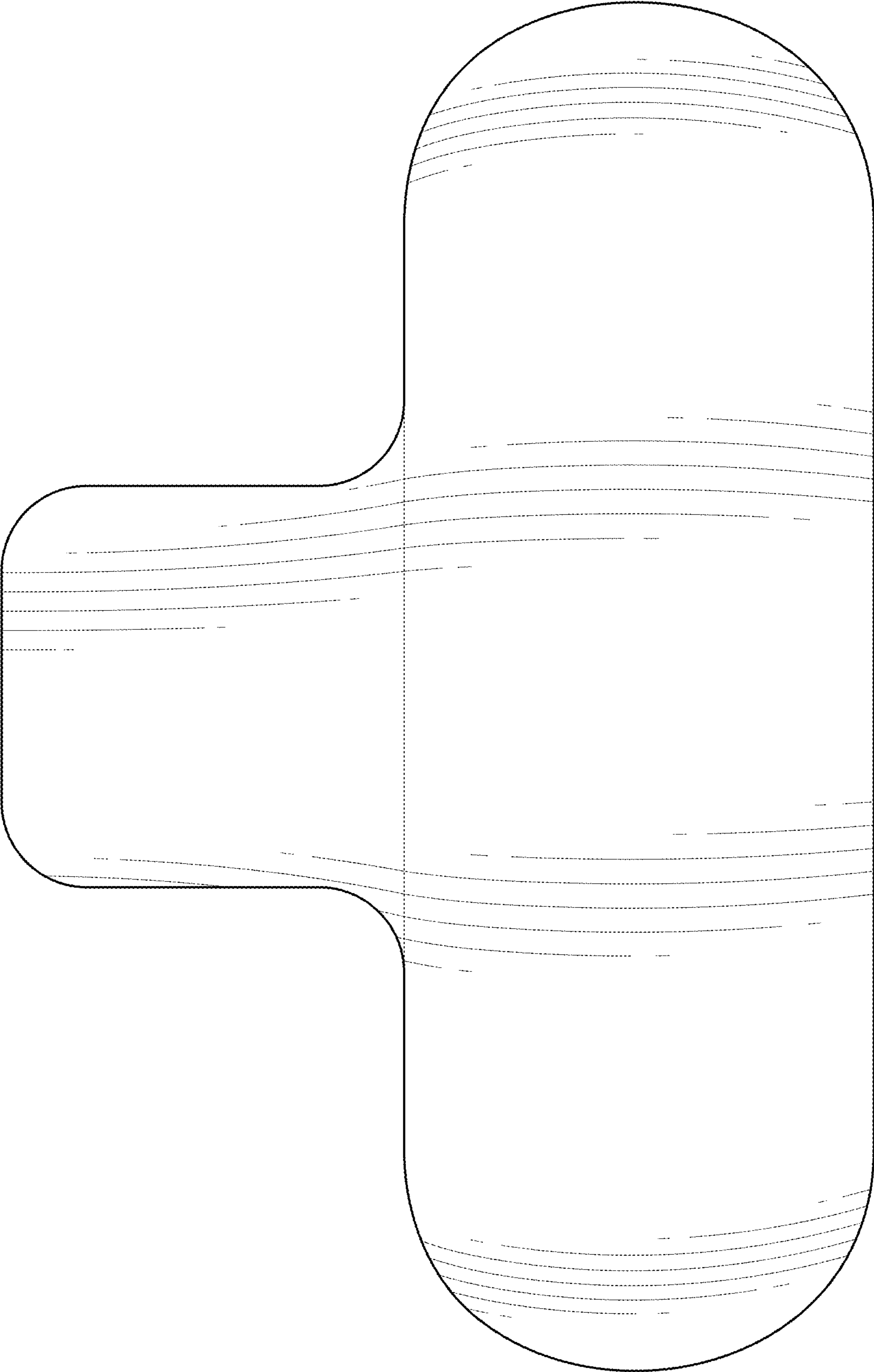


FIG. 3

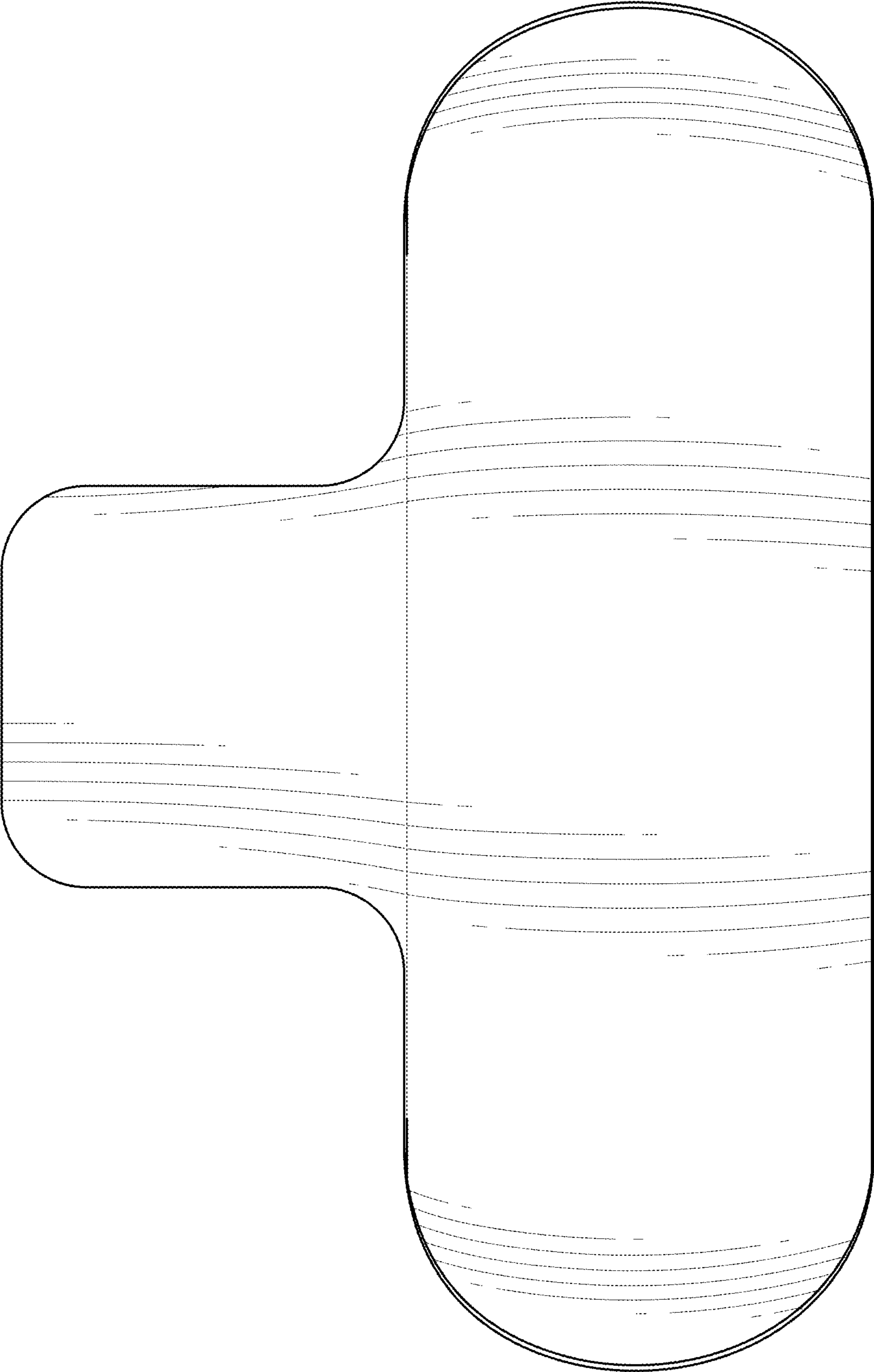


FIG. 4

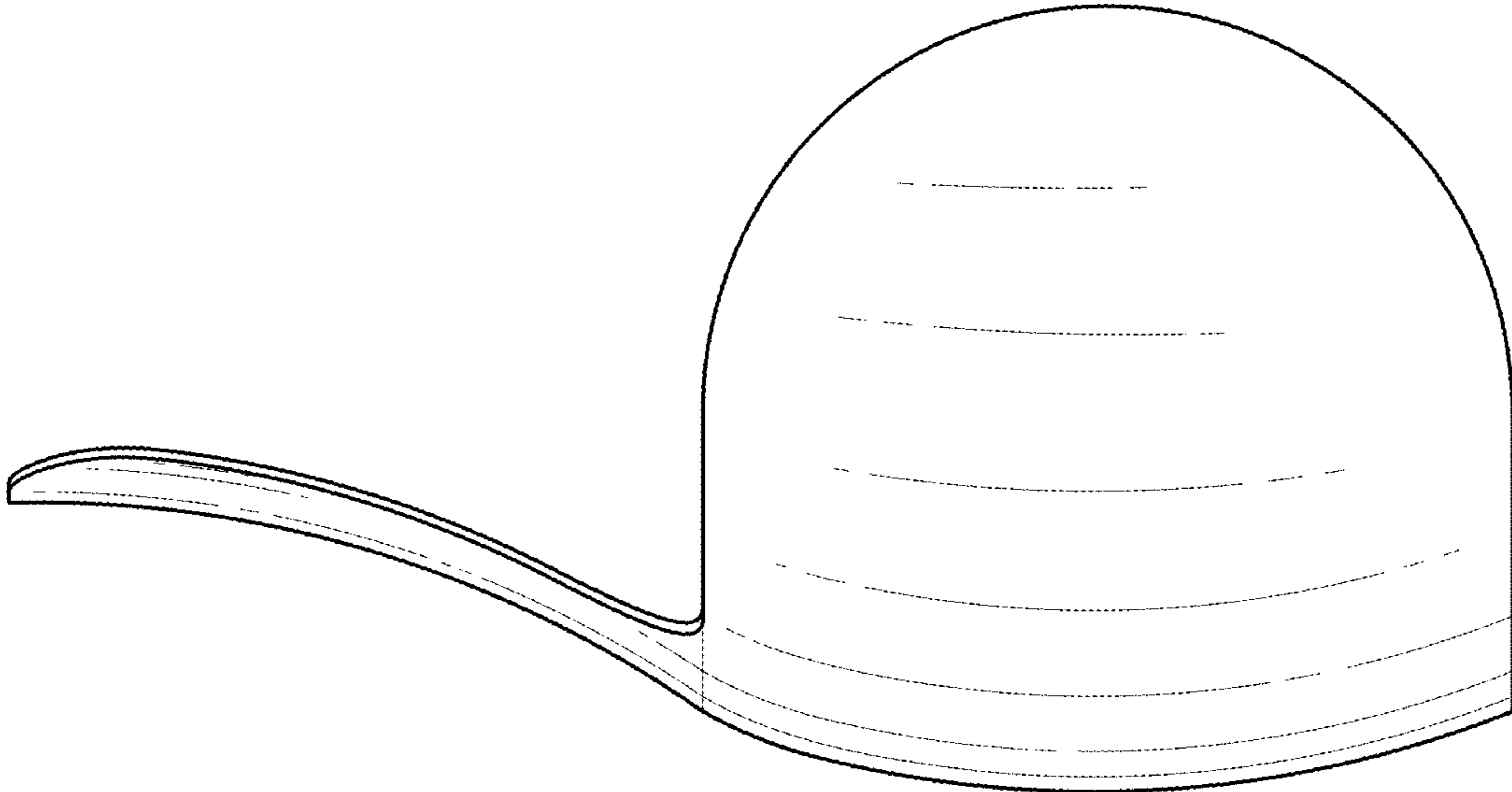


FIG. 6

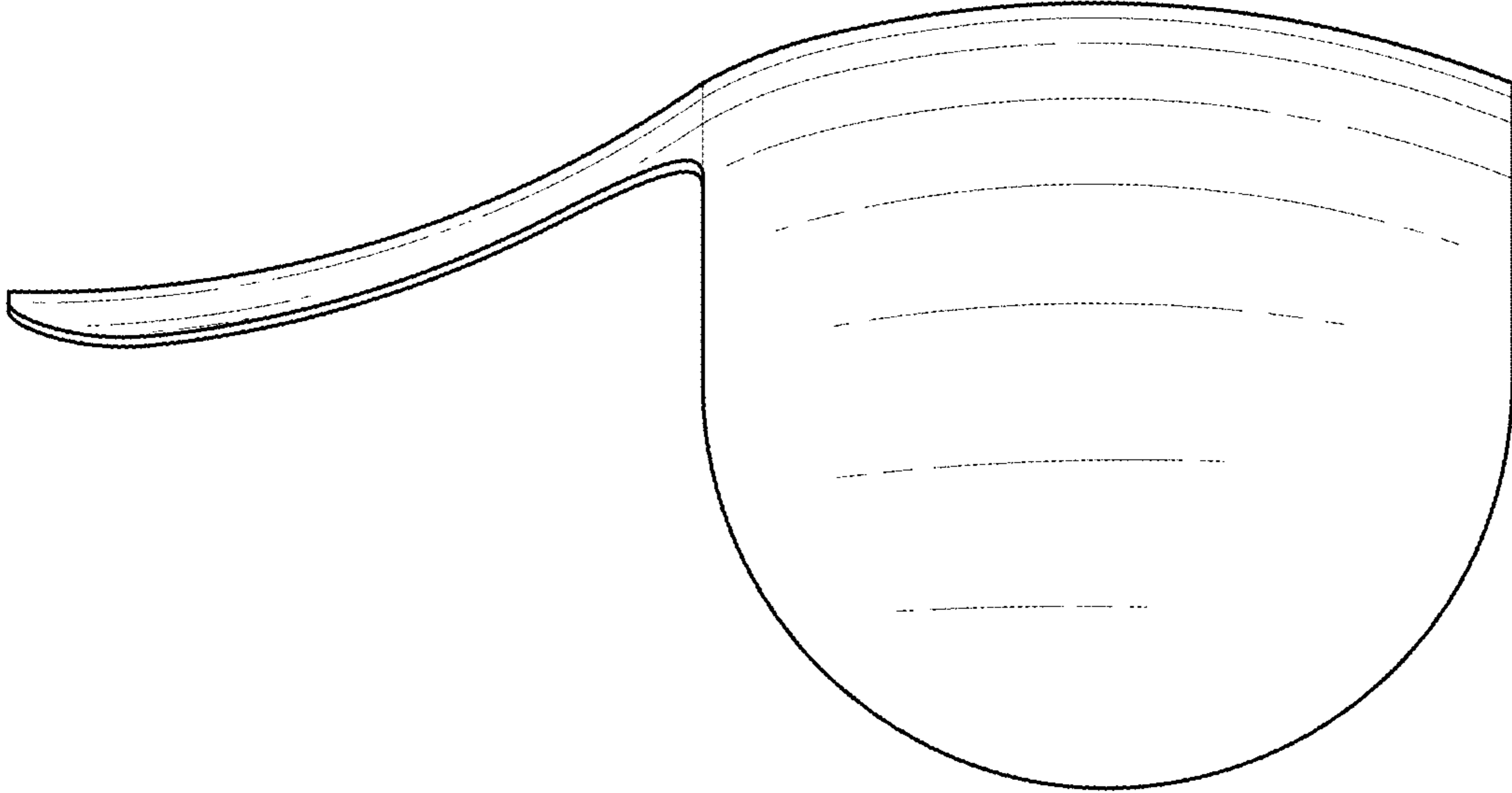


FIG. 5

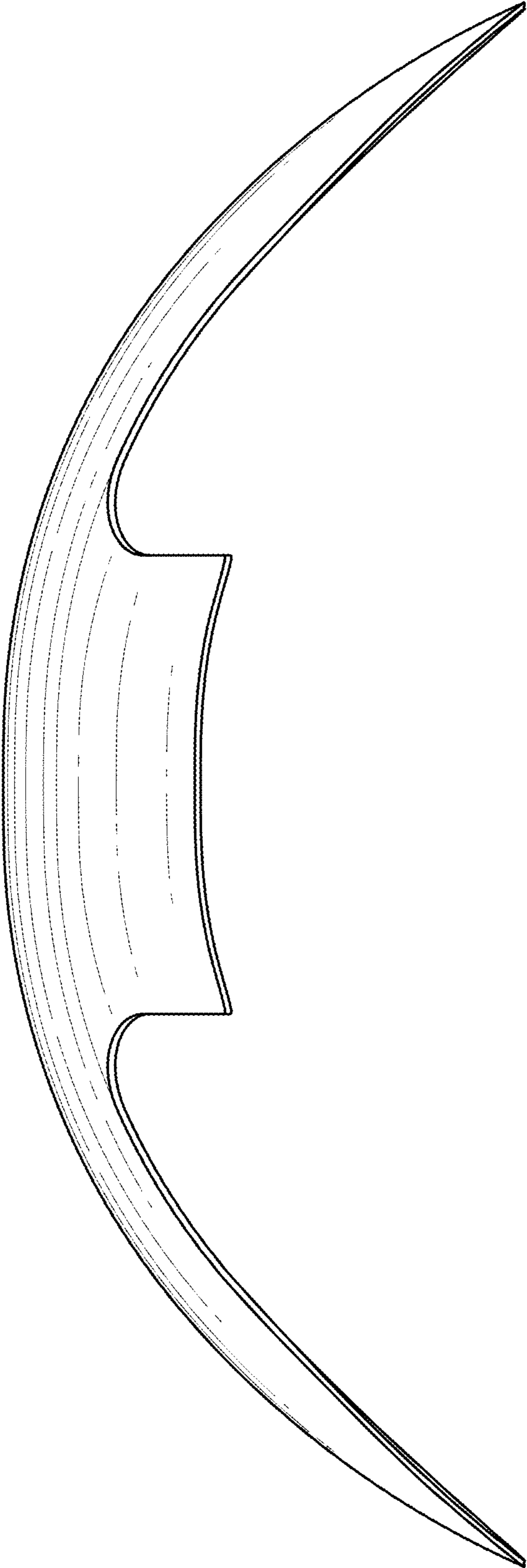


FIG. 7

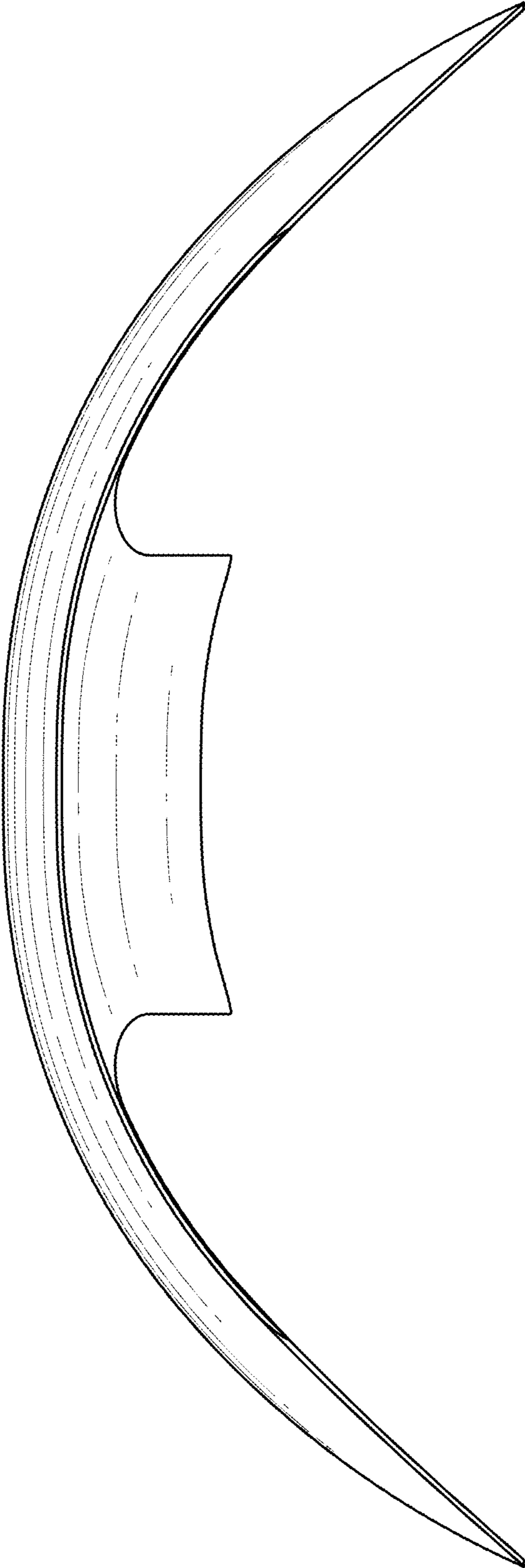


FIG. 8