



US00D927694S

(12) **United States Design Patent**
Smith

(10) **Patent No.:** **US D927,694 S**

(45) **Date of Patent:** **** Aug. 10, 2021**

(54) **INTRAORAL ORTHOSIS**

(71) Applicant: **Jacob Smith**, Strathfield (AU)

(72) Inventor: **Jacob Smith**, Strathfield (AU)

(**) Term: **15 Years**

(21) Appl. No.: **29/703,795**

(22) Filed: **Aug. 29, 2019**

(51) **LOC (13) Cl.** **24-02**

(52) **U.S. Cl.**
USPC **D24/176; D24/180**

(58) **Field of Classification Search**
USPC D24/188–192, 200, 206, 156, 176, 180
CPC A61F 5/566
See application file for complete search history.

(56) **References Cited**

U.S. PATENT DOCUMENTS

D478,172 S *	8/2003	Kesling	D24/180
D756,520 S *	5/2016	Raad	D24/180
D759,824 S *	6/2016	Luco	D24/180
D827,835 S *	9/2018	Bocala	D24/180
D854,163 S *	7/2019	Vela Hernandez	D24/180
D887,010 S *	6/2020	Smith-Martin	D24/188
D887,012 S *	6/2020	Son	D24/190
D903,122 S *	11/2020	Yukita	D24/180
D913,504 S *	3/2021	Yukita	D24/180
2015/0182374 A1 *	7/2015	Stenberg	A61C 7/36 128/848
2015/0190630 A1 *	7/2015	Kent	A61B 5/4818 128/848
2020/0197214 A1 *	6/2020	Frantz	A61F 5/566

OTHER PUBLICATIONS

Issuu. Dental Sleep Practice Winter 2019. Nov. 21, 2019. https://issuu.com/medmark/docs/dsp_winter2019_issuu (Year: 2019).*
National Dentex. NTI-tss Plus. No date specified, <https://nationaldentex.com/products/headache-therapy/nti-tss-plus> (Year: 0).*

* cited by examiner

Primary Examiner — Darcey E Gottschalk

(74) *Attorney, Agent, or Firm* — Innovation Capital Law Group, LLP; Vic Lin

(57) **CLAIM**

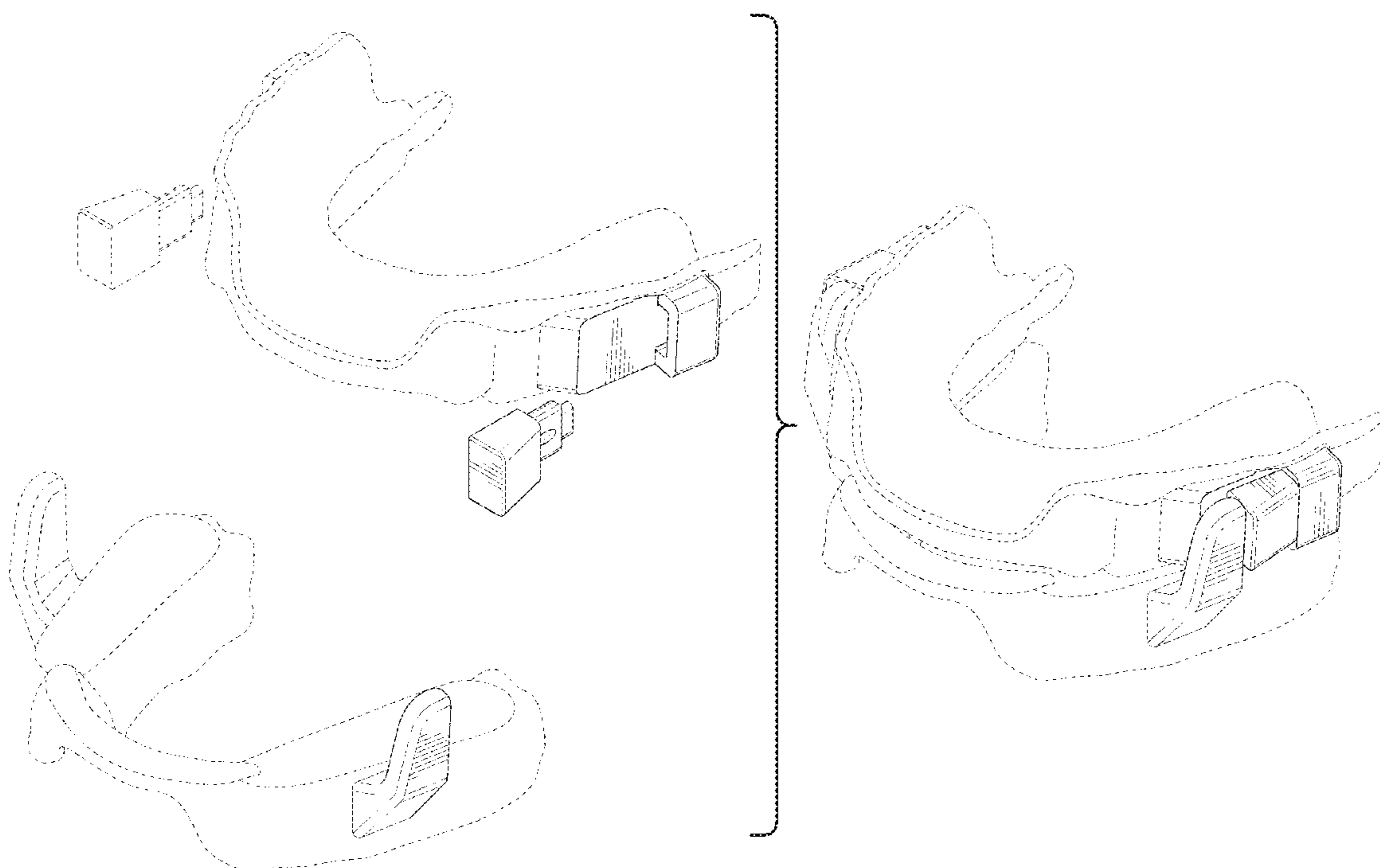
The ornamental design for an intraoral orthosis, as shown and described.

DESCRIPTION

FIG. 1 is an exploded front perspective view of an intraoral orthosis, showing my/our new design;
FIG. 2 is an exploded front elevation view thereof;
FIG. 3 is an exploded rear elevation view thereof;
FIG. 4 is an exploded right elevation view thereof;
FIG. 5 is an exploded left elevation view thereof;
FIG. 6 is an exploded top plan view thereof;
FIG. 7 is an exploded bottom plan view thereof;
FIG. 8 is a front perspective view thereof;
FIG. 9 is a front elevation view thereof;
FIG. 10 is a rear elevation view thereof;
FIG. 11 is a left elevation view thereof;
FIG. 12 is a top plan view thereof; and,
FIG. 13 is a bottom plan view thereof.

The broken line portion of the figures is included to show unclaimed subject matter only and forms no part of the claimed design.

1 Claim, 13 Drawing Sheets



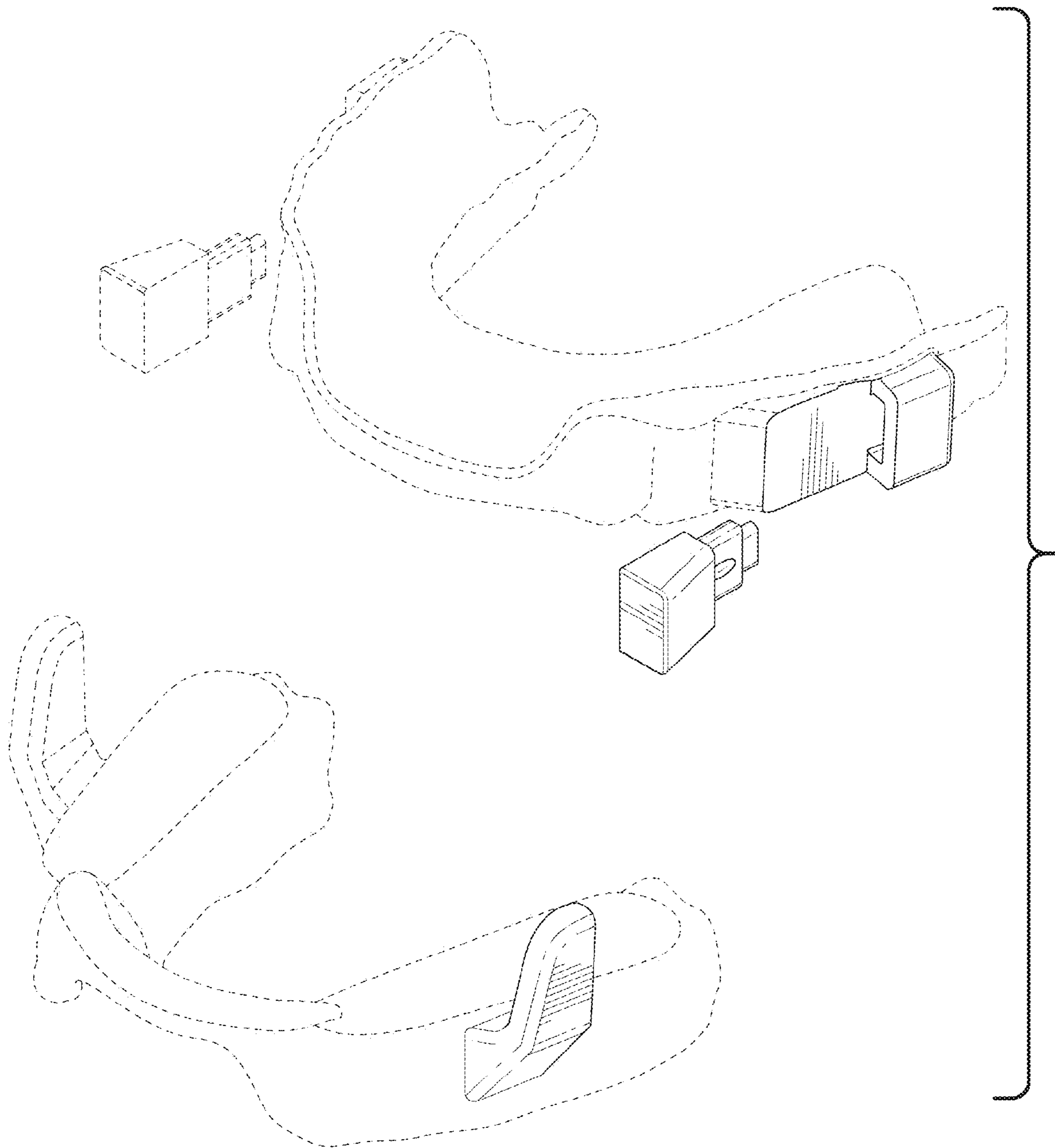


FIG. 1

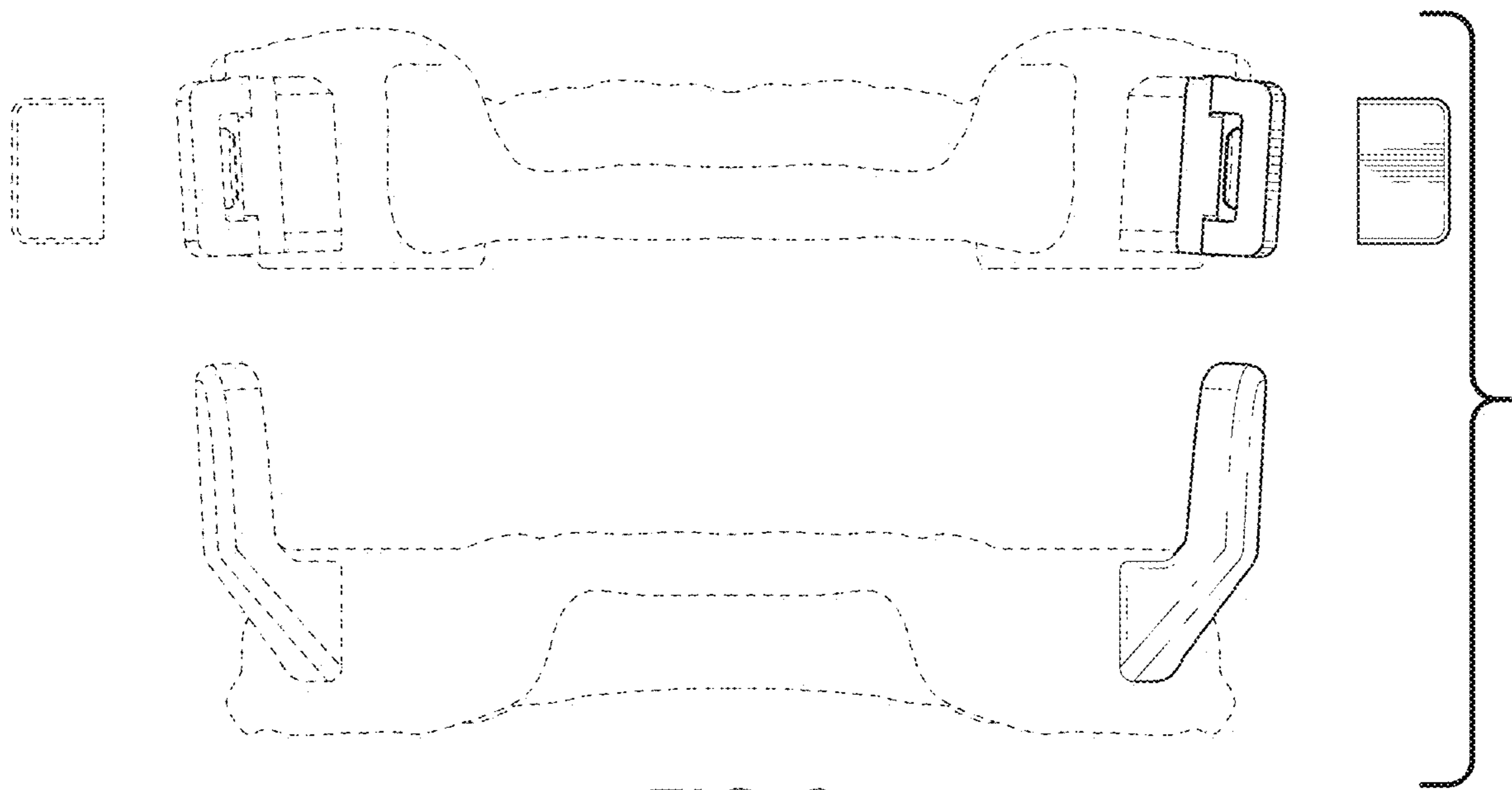


FIG. 2

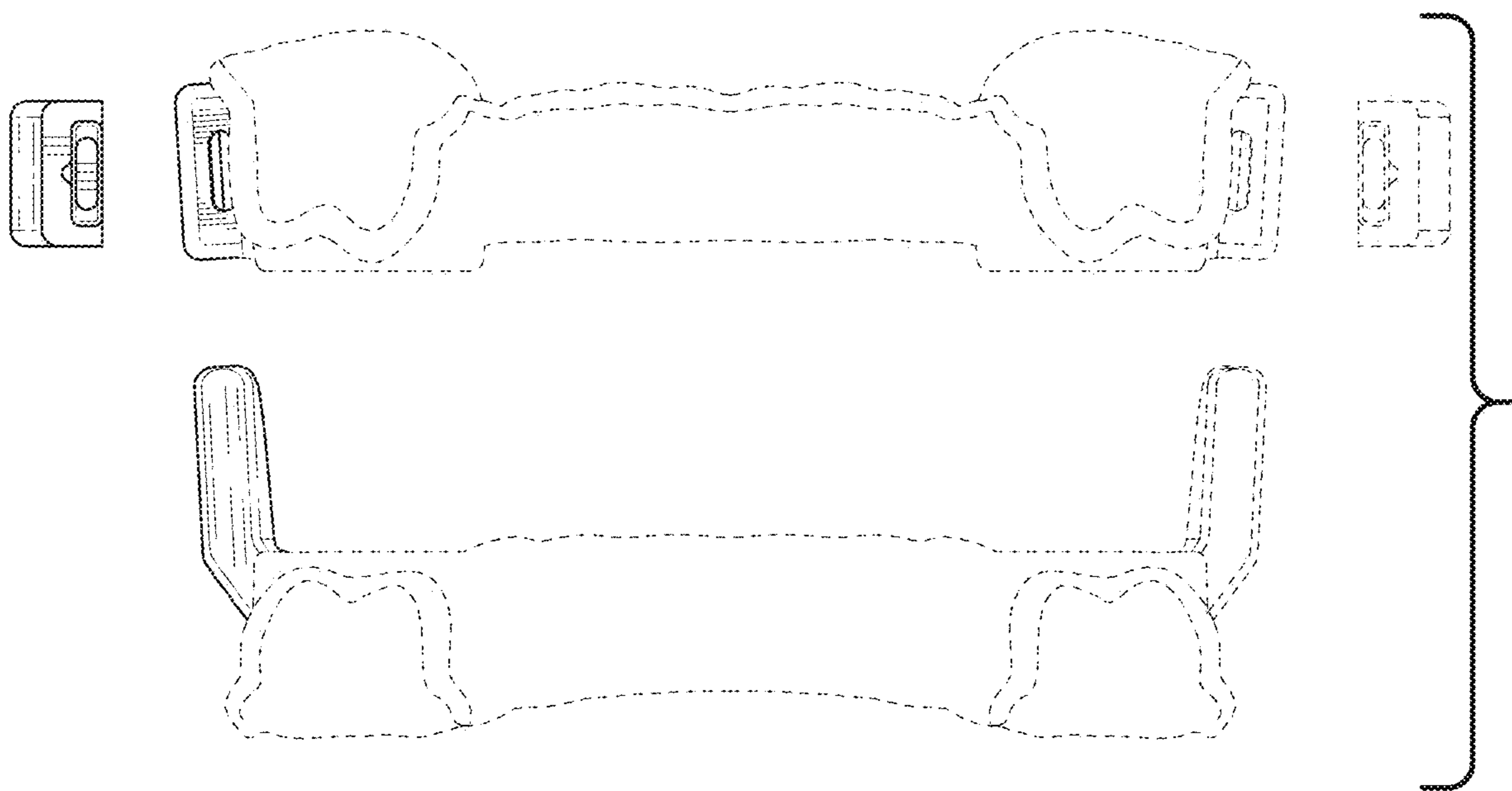


FIG. 3

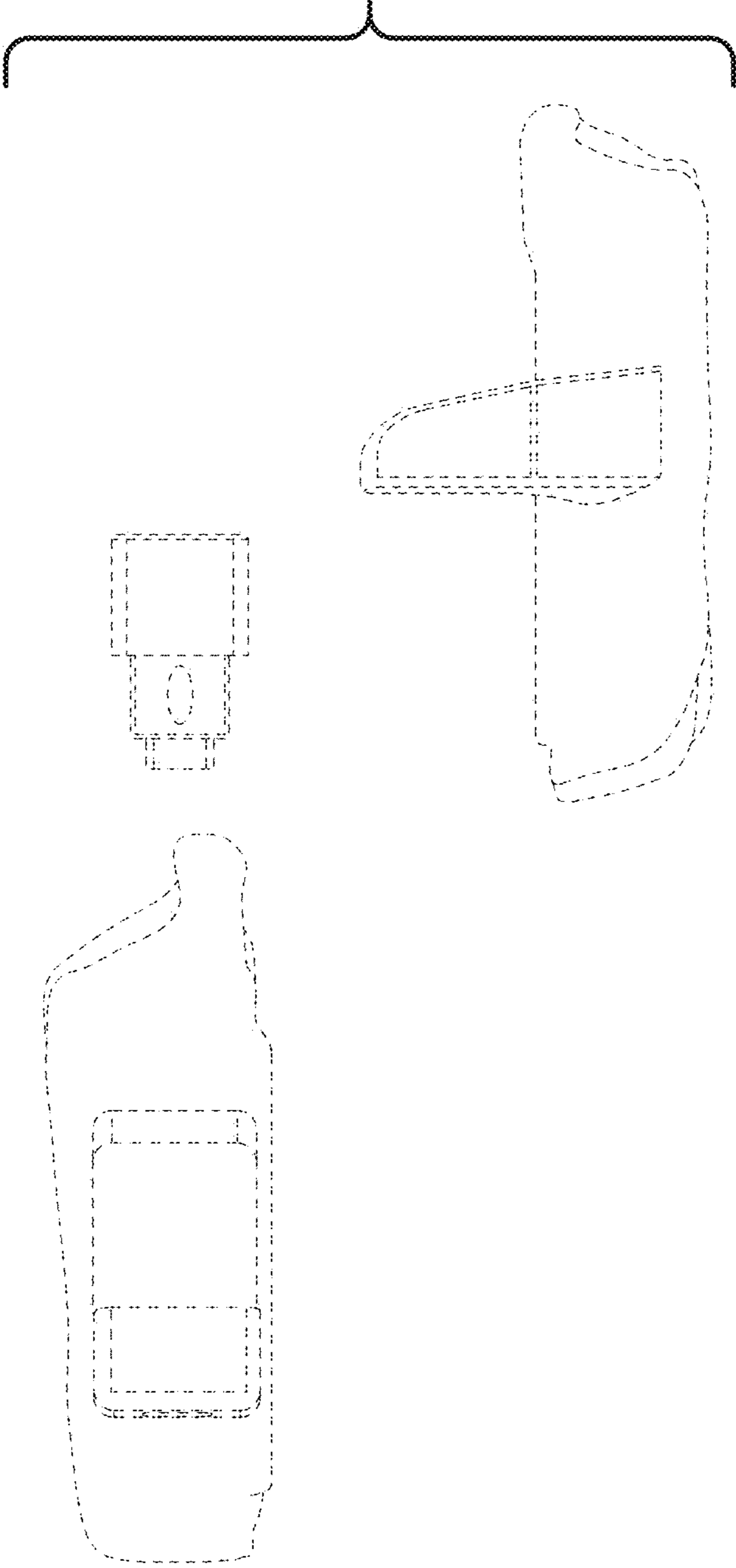


FIG. 4

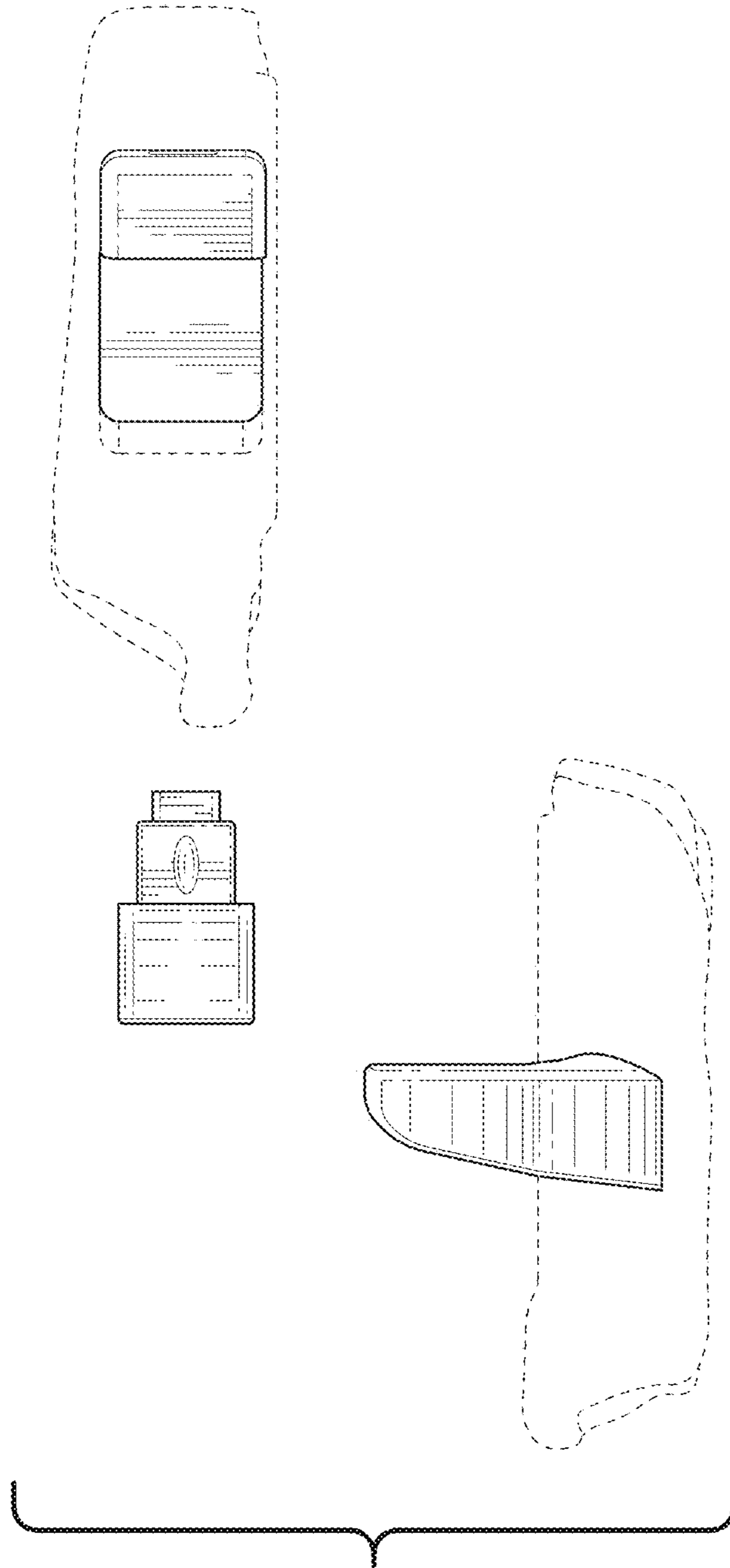


FIG. 5

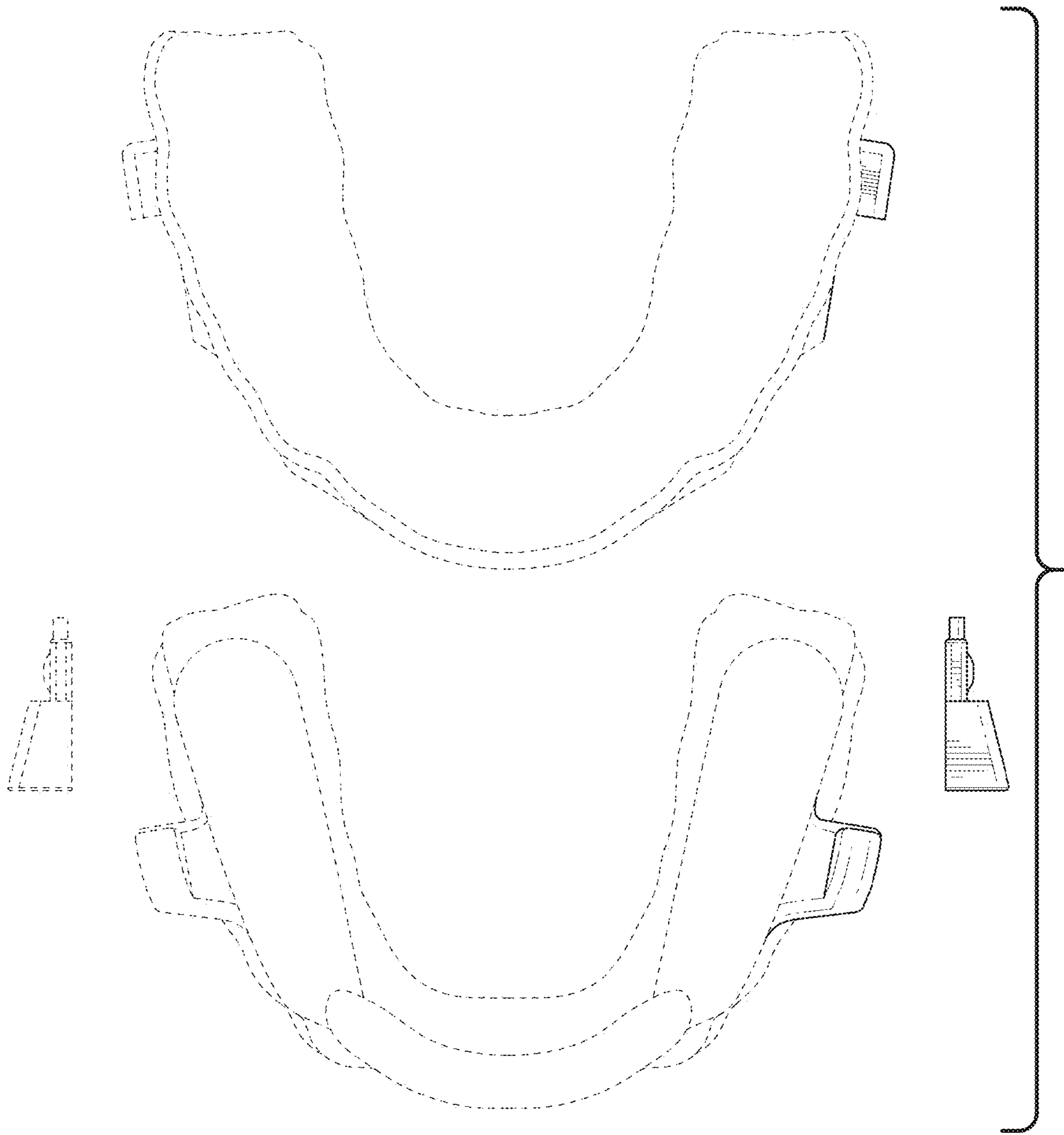


FIG. 6

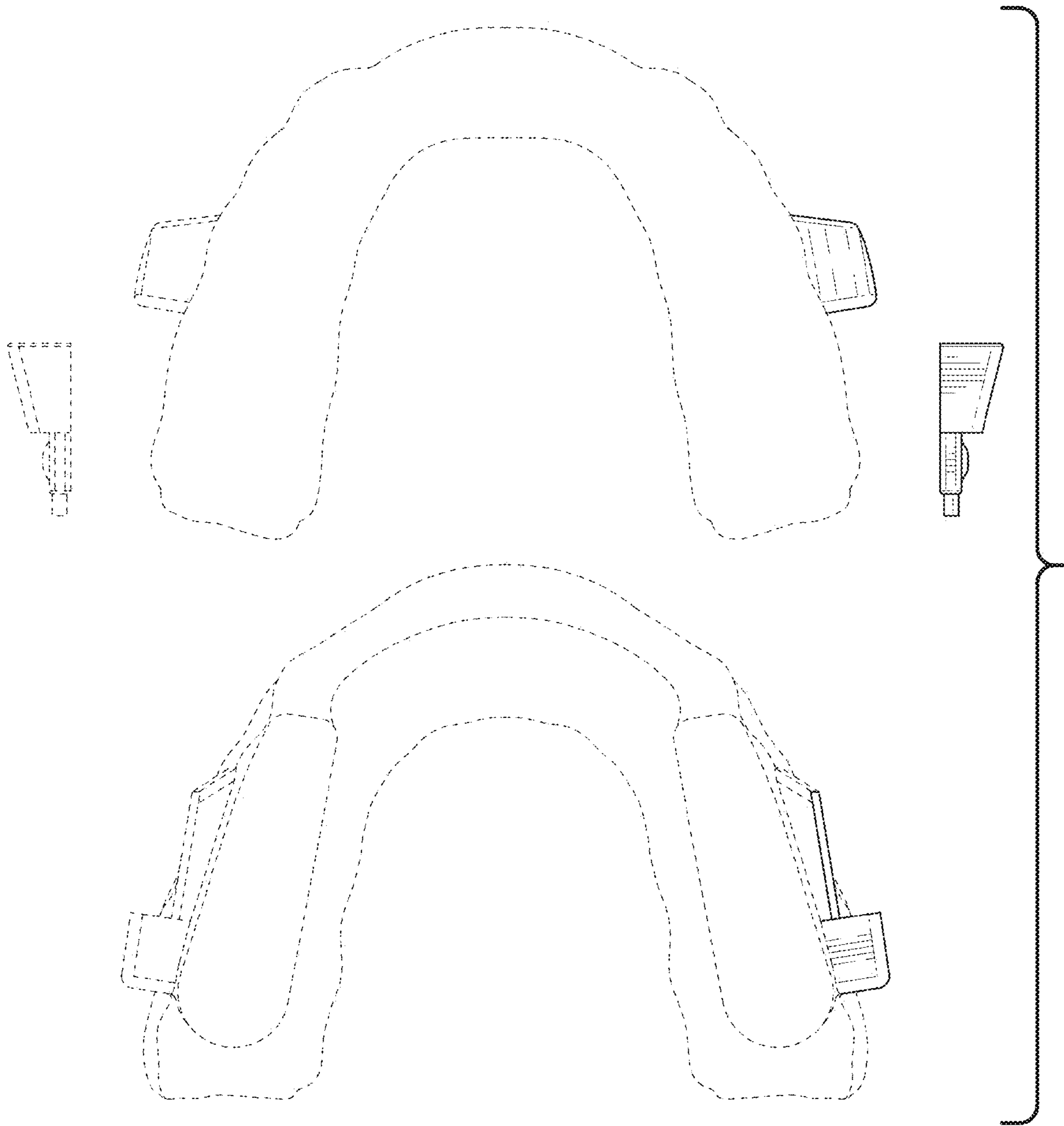


FIG. 7

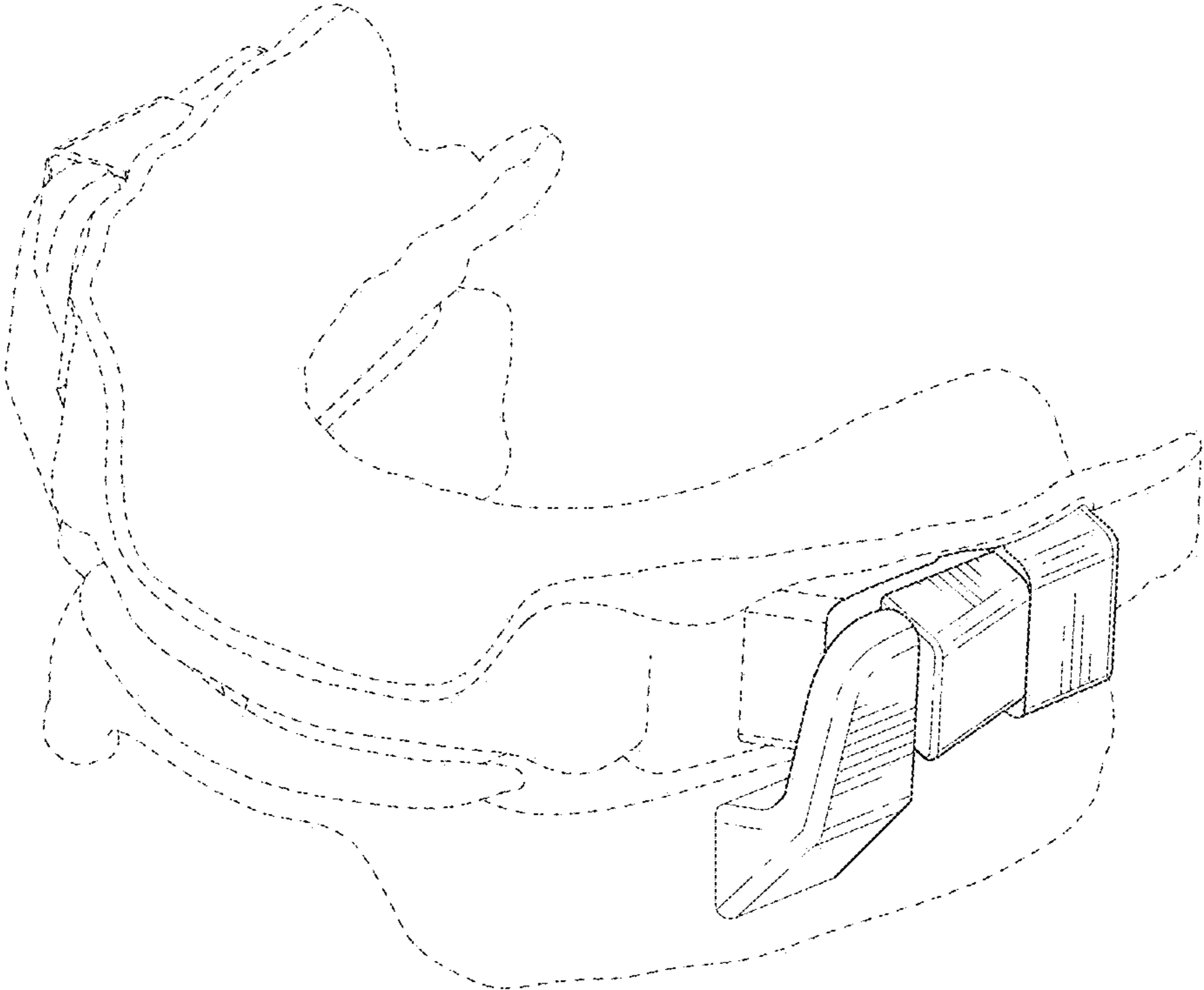


FIG. 8

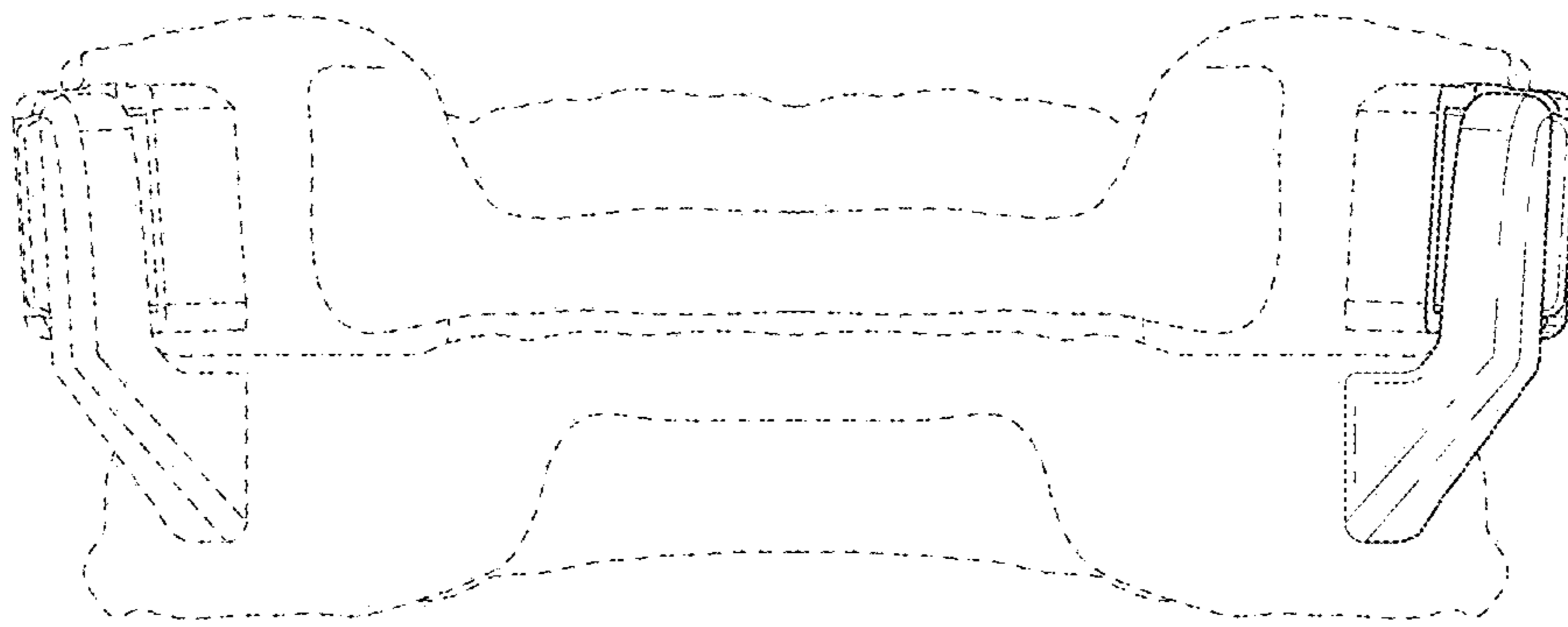


FIG. 9

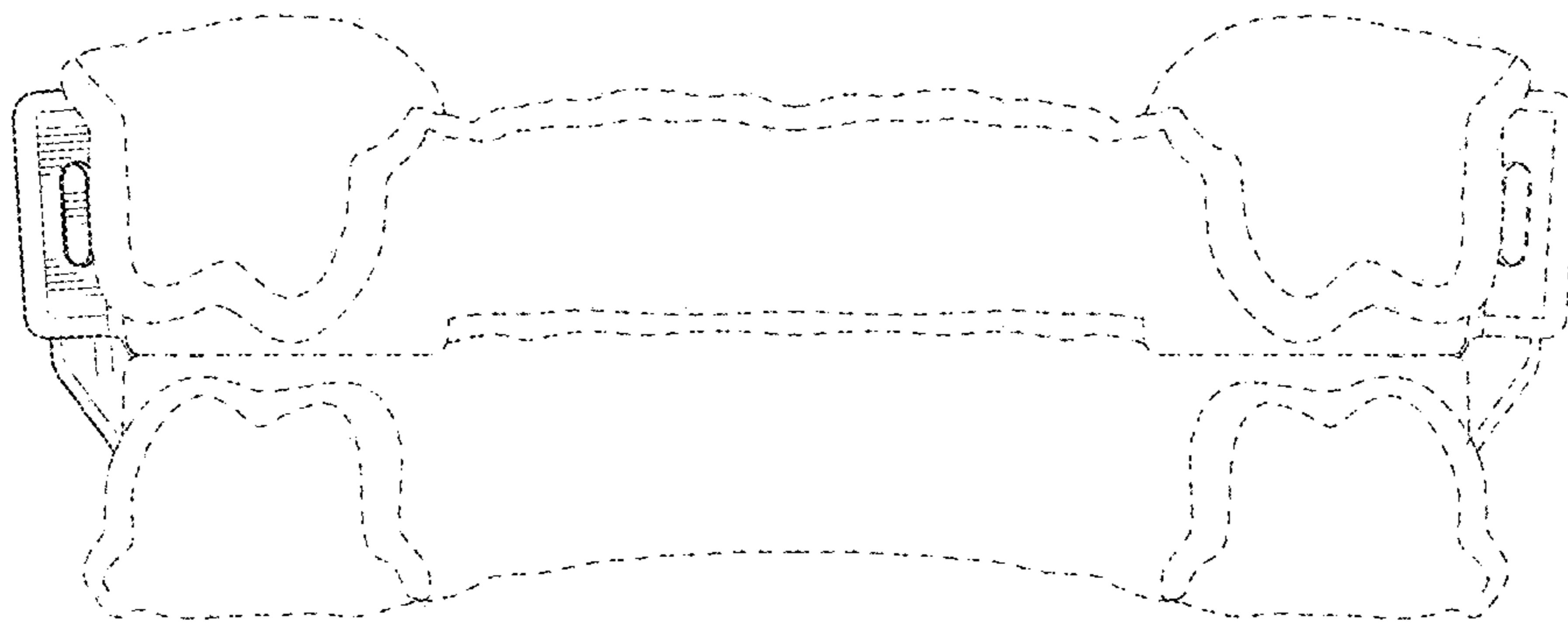


FIG. 10

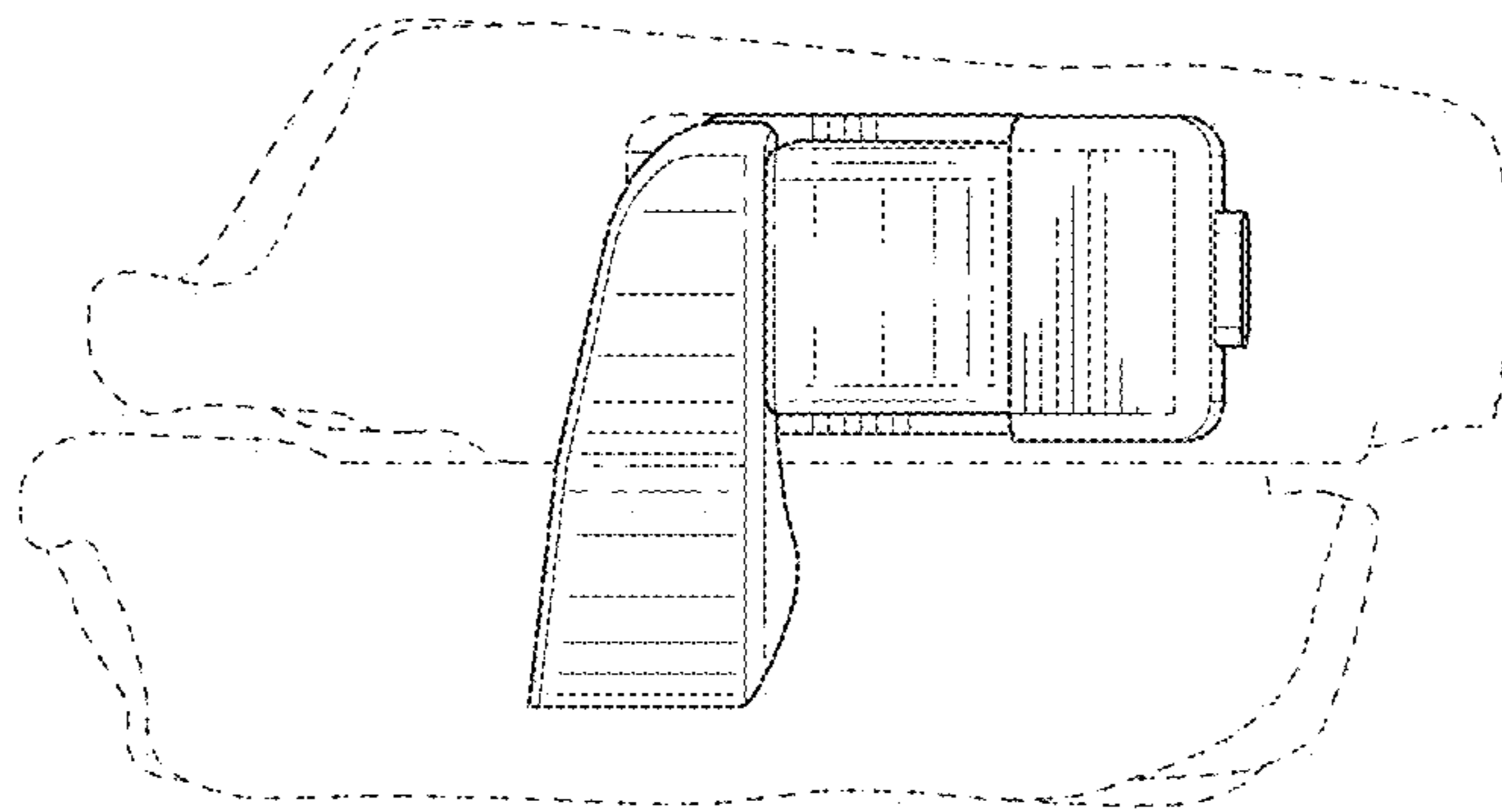


FIG. 11

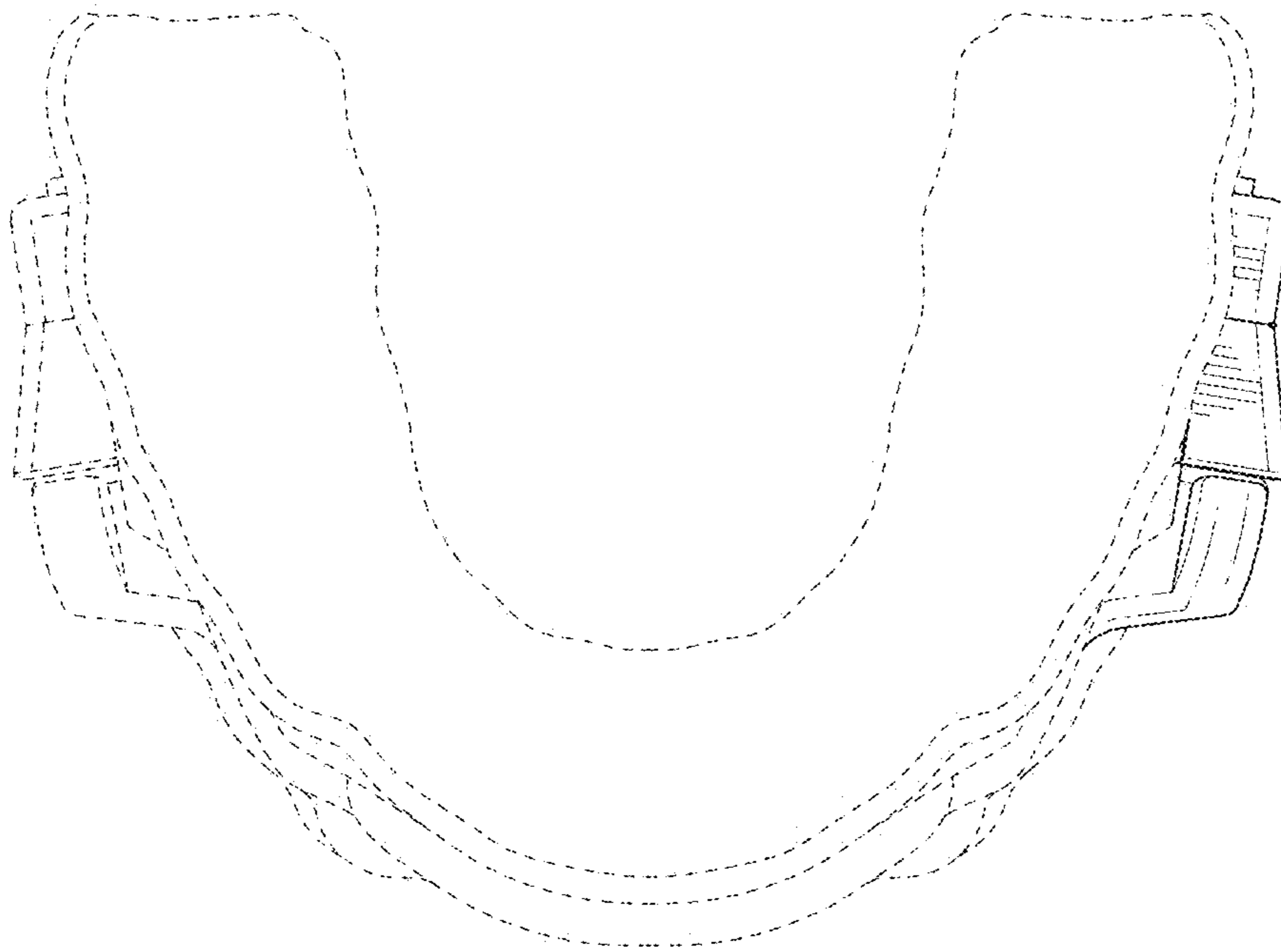


FIG. 12

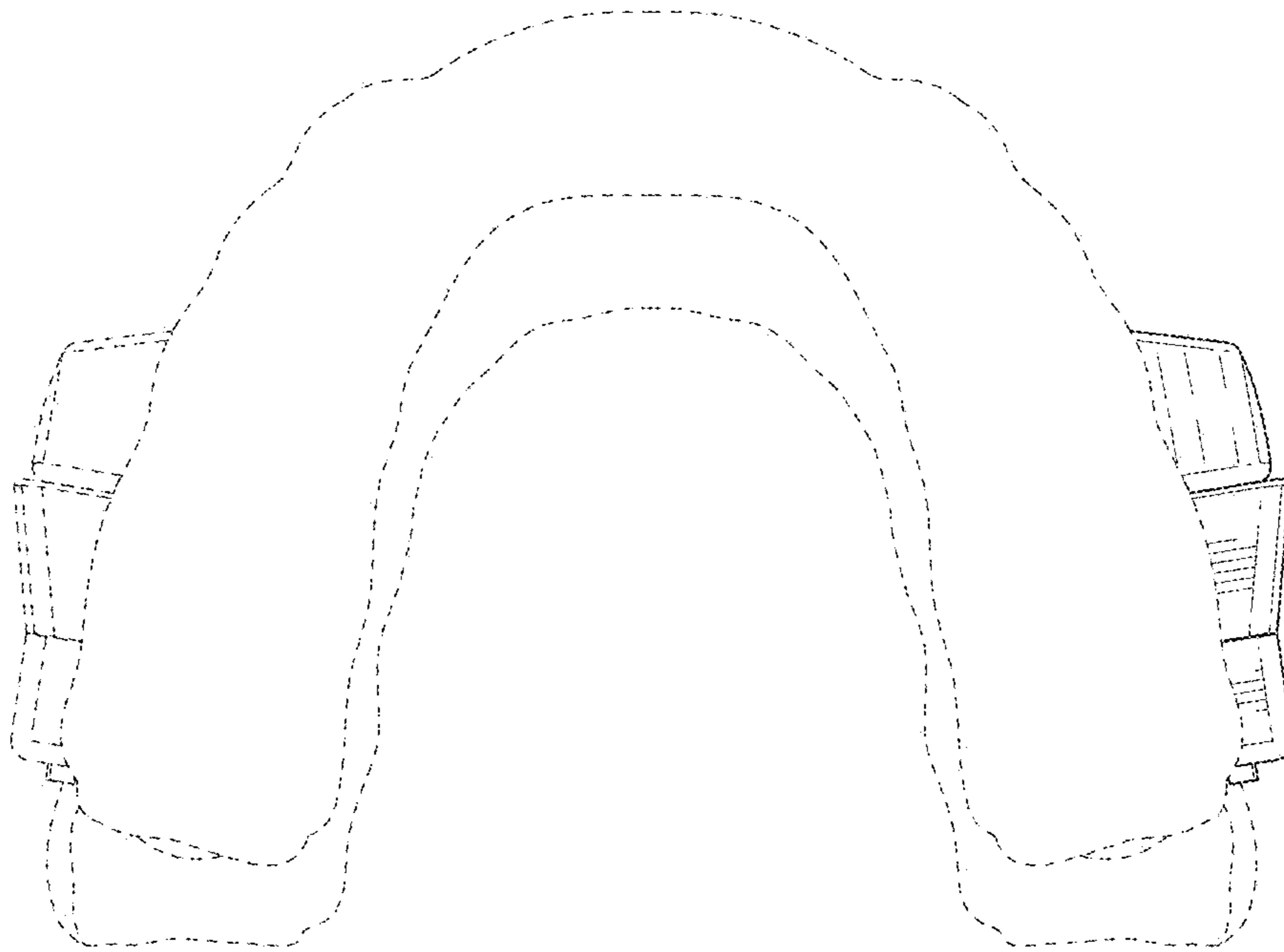


FIG. 13