



US00D927693S

(12) **United States Design Patent** (10) **Patent No.:** **US D927,693 S**
Hwang (45) **Date of Patent:** **** Aug. 10, 2021**

(54) **RING-SHAPED ELECTROCARDIOGRAPHIC DEVICE**

(71) Applicant: **HEXACHECK INC.**, Daejeon (KR)

(72) Inventor: **In-Duk Hwang**, Sejong (KR)

(73) Assignee: **HEXACHECK INC.**, Daejeon (KR)

(**) Term: **15 Years**

(21) Appl. No.: **35/508,375**

(22) Filed: **Apr. 8, 2019**

(80) **Hague Agreement Data**

Int. Filing Date: **Apr. 8, 2019**

Int. Reg. No.: **DM/205274**

Int. Reg. Date: **Apr. 8, 2019**

Int. Reg. Pub. Date: **Jan. 24, 2020**

(30) **Foreign Application Priority Data**

Oct. 8, 2018 (KR) 30-2018-00456304

(51) **LOC (13) Cl.** **24-02**

(52) **U.S. Cl.**
USPC **D24/167**

(58) **Field of Classification Search**

USPC D24/186, 187, 167, 168, 200
CPC . A61B 5/0006; A61B 5/04012; A61B 5/0456;
A61B 5/04085; A61B 5/0452; A61B
5/044

See application file for complete search history.

(56) **References Cited**

U.S. PATENT DOCUMENTS

D842,722 S * 3/2019 Lee D10/70
D854,162 S * 7/2019 Rihu D24/167
D854,433 S * 7/2019 Vandebussche D10/70
D855,807 S * 8/2019 Schroeder D24/167

D861,168 S * 9/2019 Paschke D24/167
D864,767 S * 10/2019 Vandebussche D10/70
D868,264 S * 11/2019 Paschke D24/167
D885,945 S * 6/2020 Cohen D10/70
D895,118 S * 9/2020 Hwang D24/167
D895,119 S * 9/2020 Hwang D24/167
D895,120 S * 9/2020 Hwang D24/167
D901,692 S * 11/2020 Rihu D24/167
2020/0315480 A1 * 10/2020 Hwang A61B 5/681

* cited by examiner

Primary Examiner — Eliza Z Bennett-Hattan

(74) *Attorney, Agent, or Firm* — IPLA P.A.

(57) **CLAIM**

The ornamental design for a ring-shaped electrocardiographic device, as shown and described.

DESCRIPTION

1. Ring-shaped electrocardiographic device

1.1 : Perspective

1.2 : Front

1.3 : Back

1.4 : Left

1.5 : Right

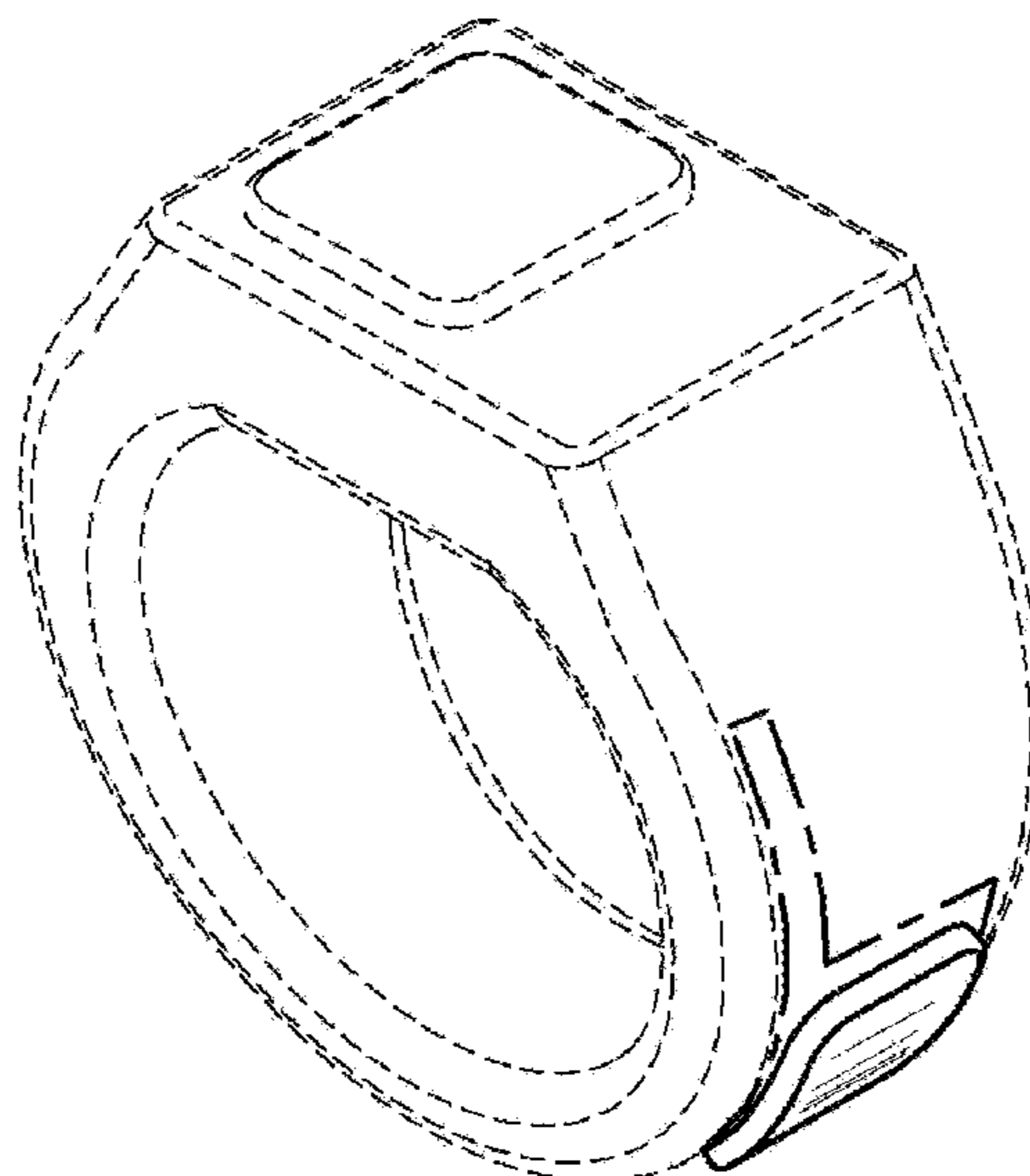
1.6 : Top

1.7 : Bottom

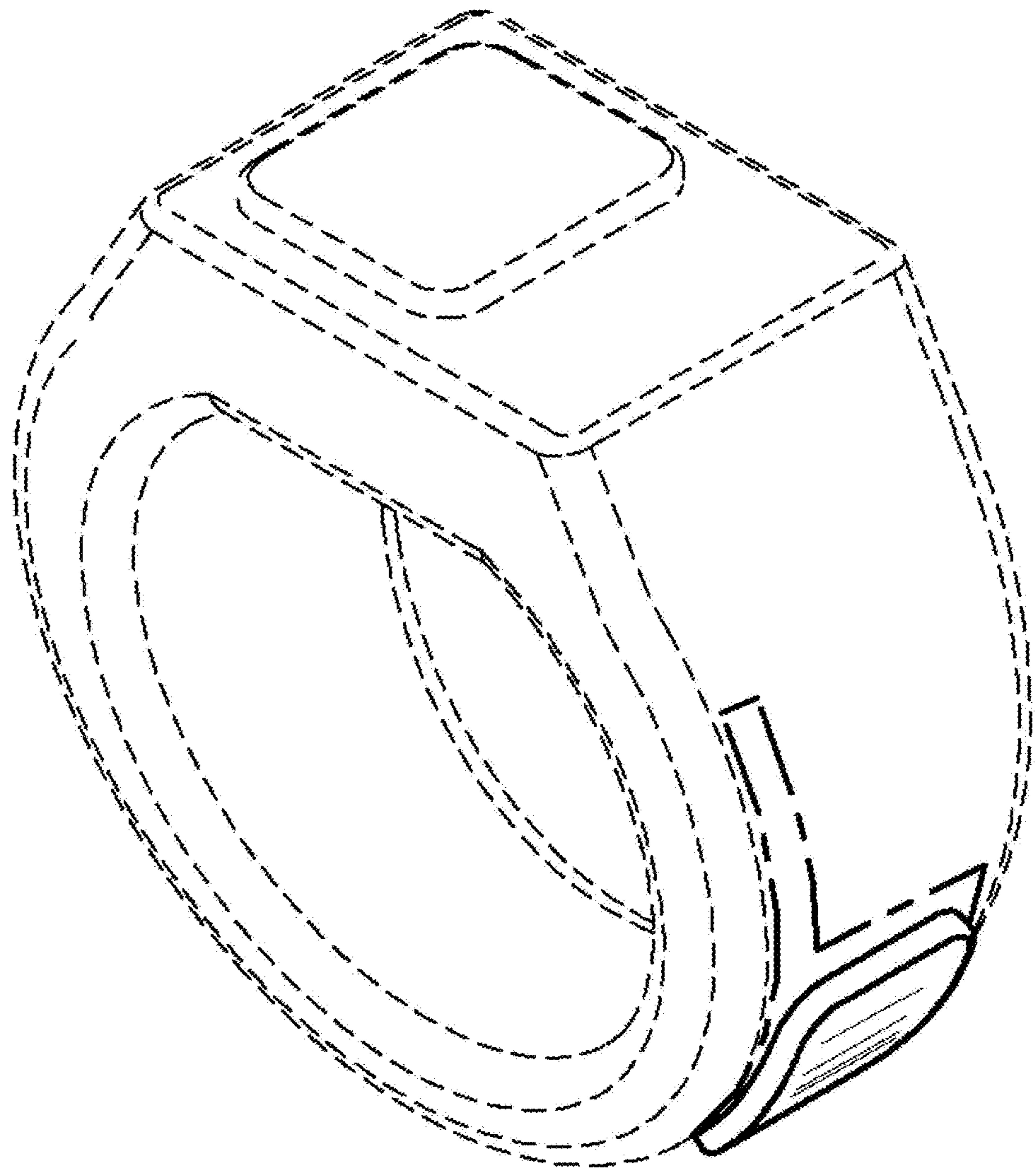
1.8 : Perspective

Fig. 1.1 is a top front perspective view of a ring-shaped electrocardiographic device showing our new design; fig. 1.2 is a front view thereof; fig. 1.3 is a rear view thereof; fig. 1.4 is a left side view thereof; fig. 1.5 is a right side view thereof; fig. 1.6 is a top view thereof; fig. 1.7 is a bottom view thereof; and, fig. 1.8 is a bottom front perspective view thereof; the dashed broken lines in the figures show portions of the ring-shaped electrocardiographic device that form no part of the claimed design; the shade lines in the figures show contour but do not represent surface ornamentation; the dot-dash broken lines in the figures show boundaries that form no part of the claimed design.

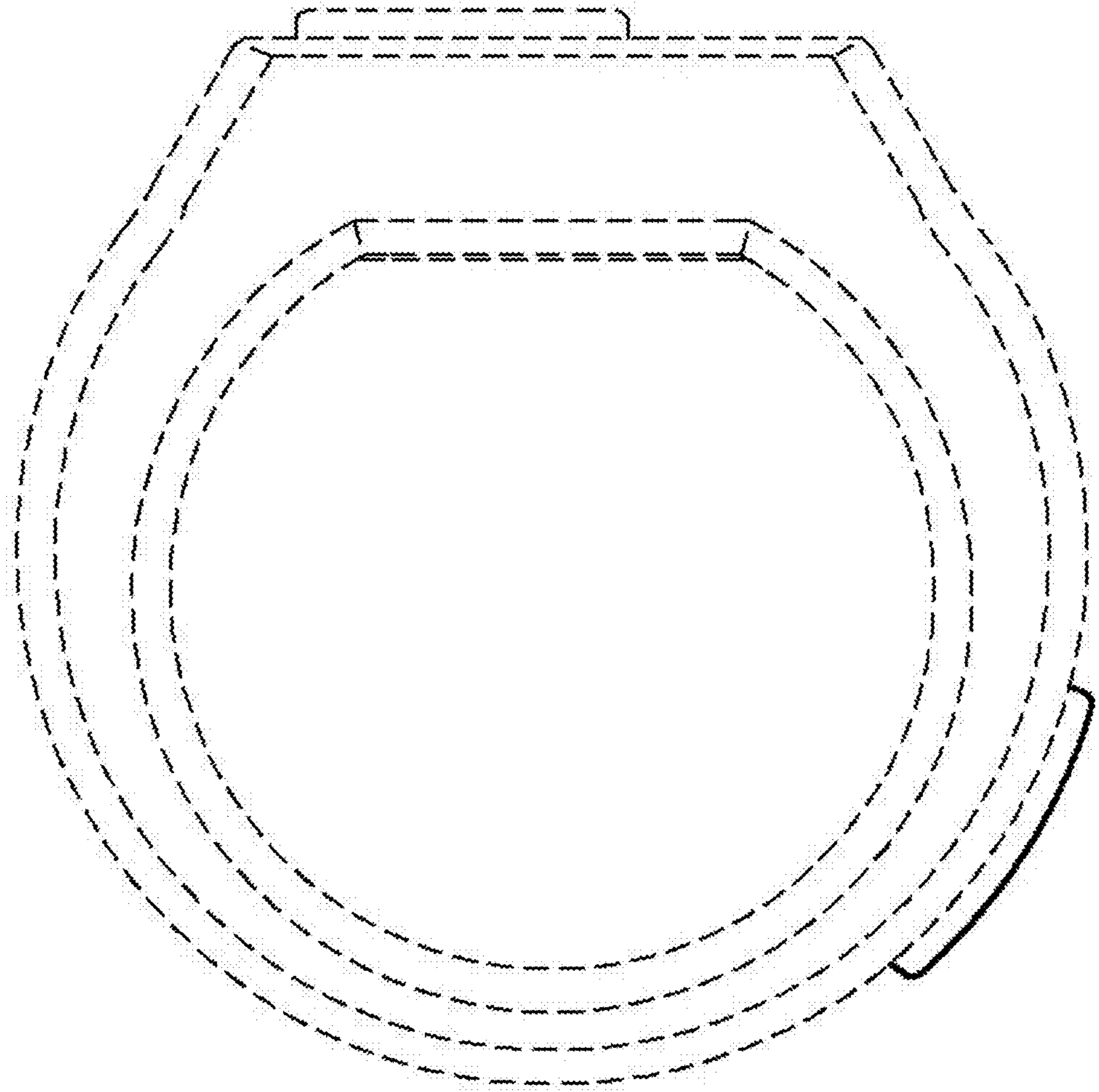
1 Claim, 8 Drawing Sheets



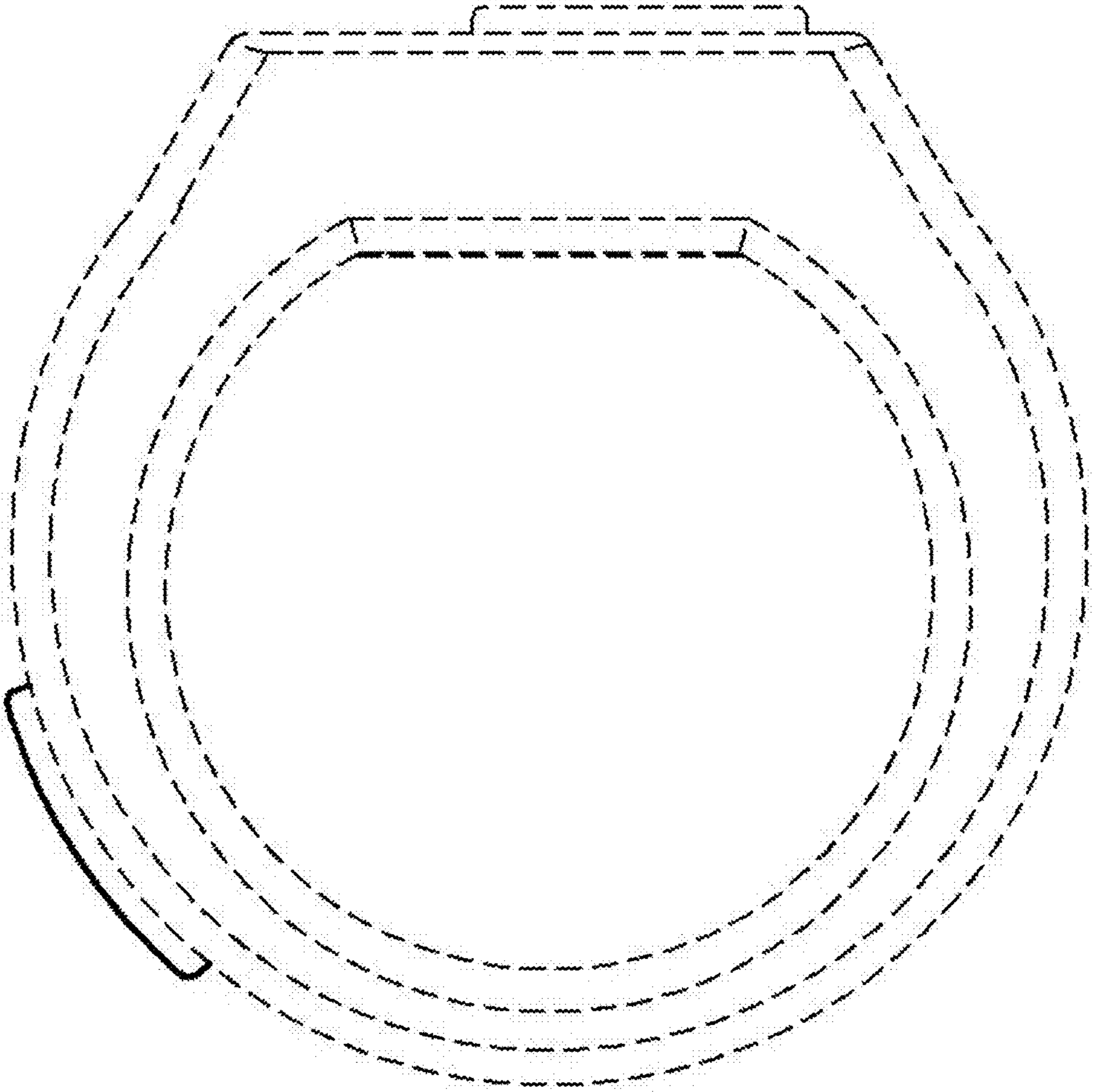
1.1



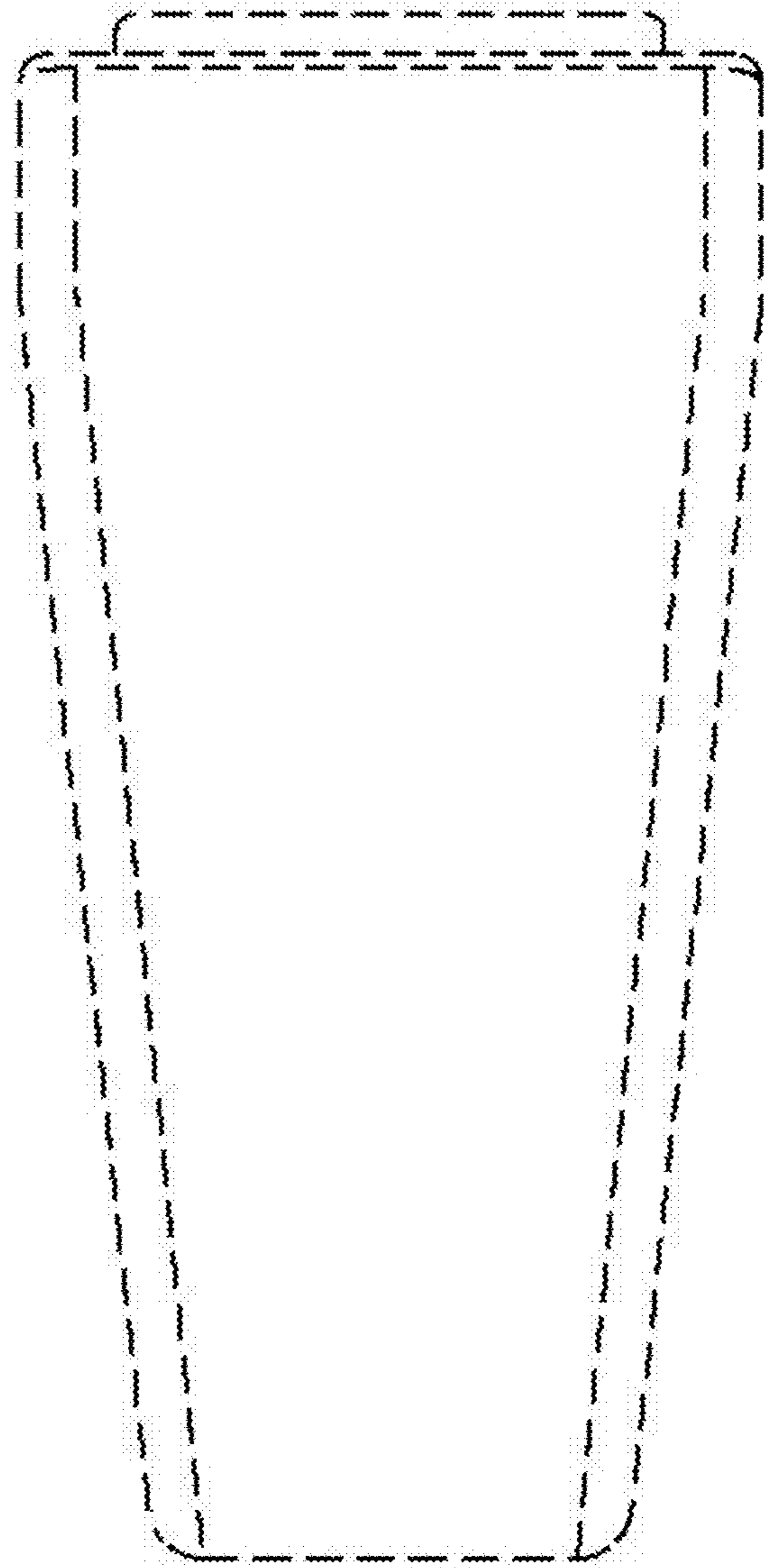
1.2



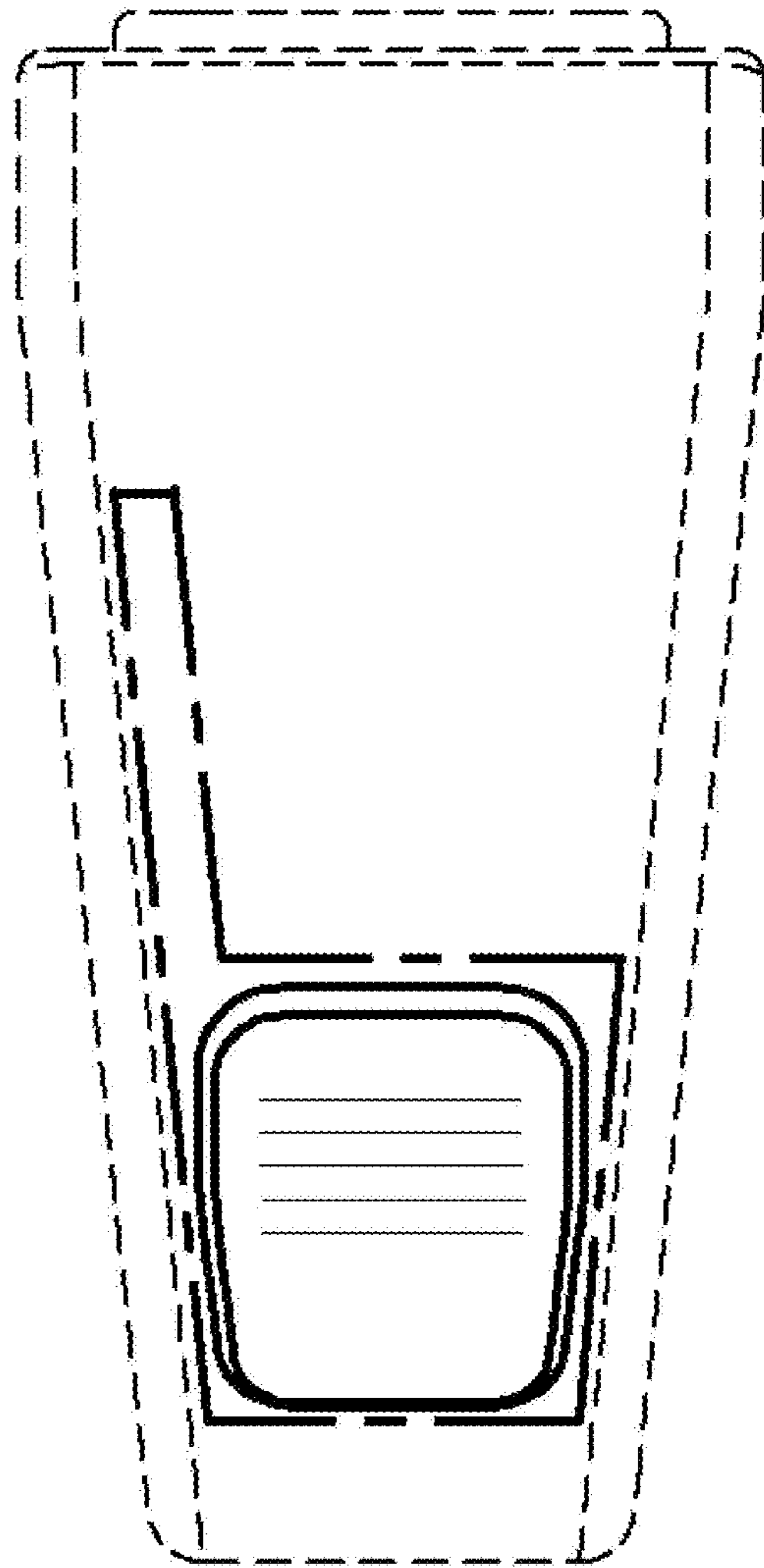
1.3



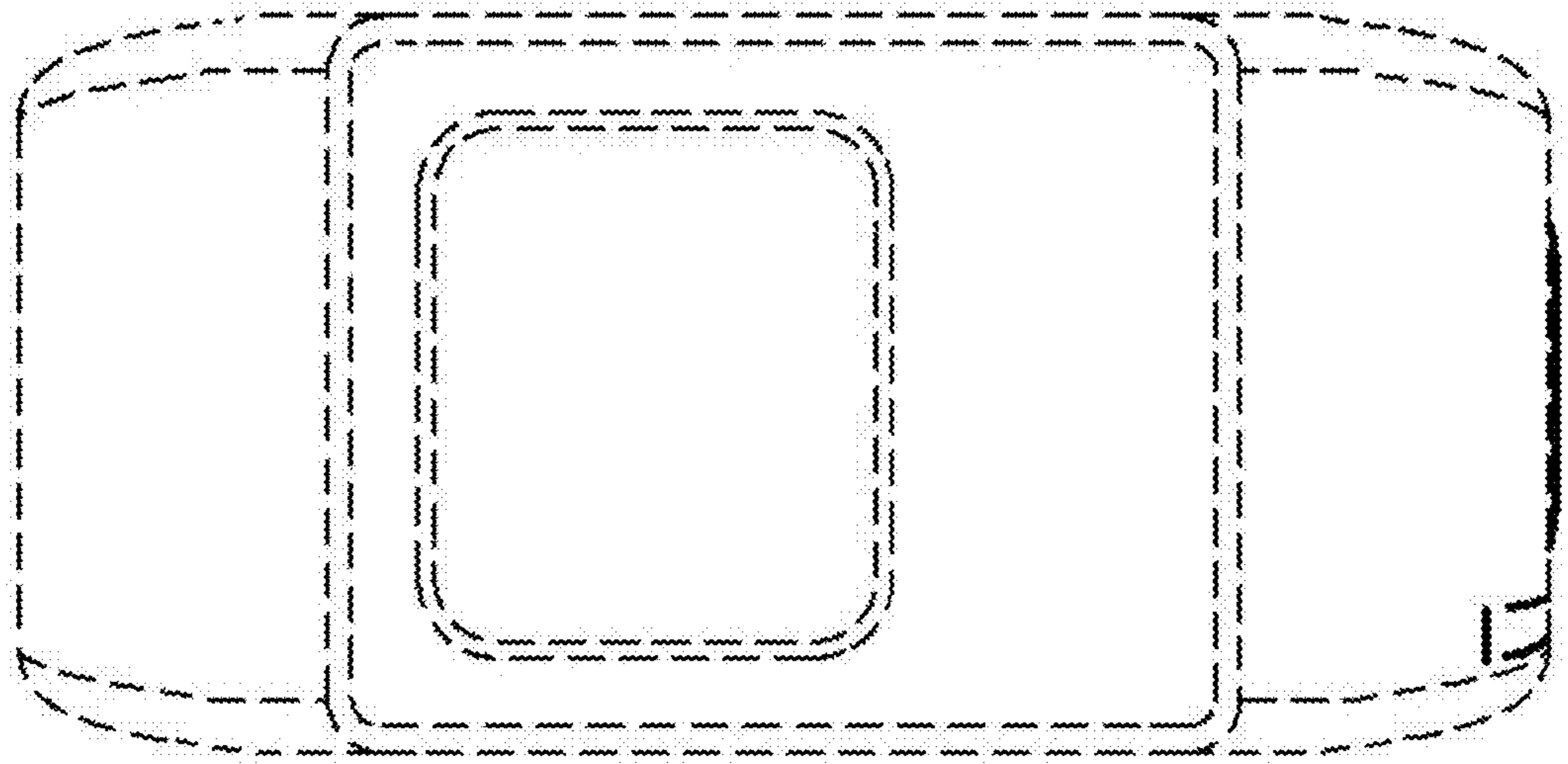
1.4



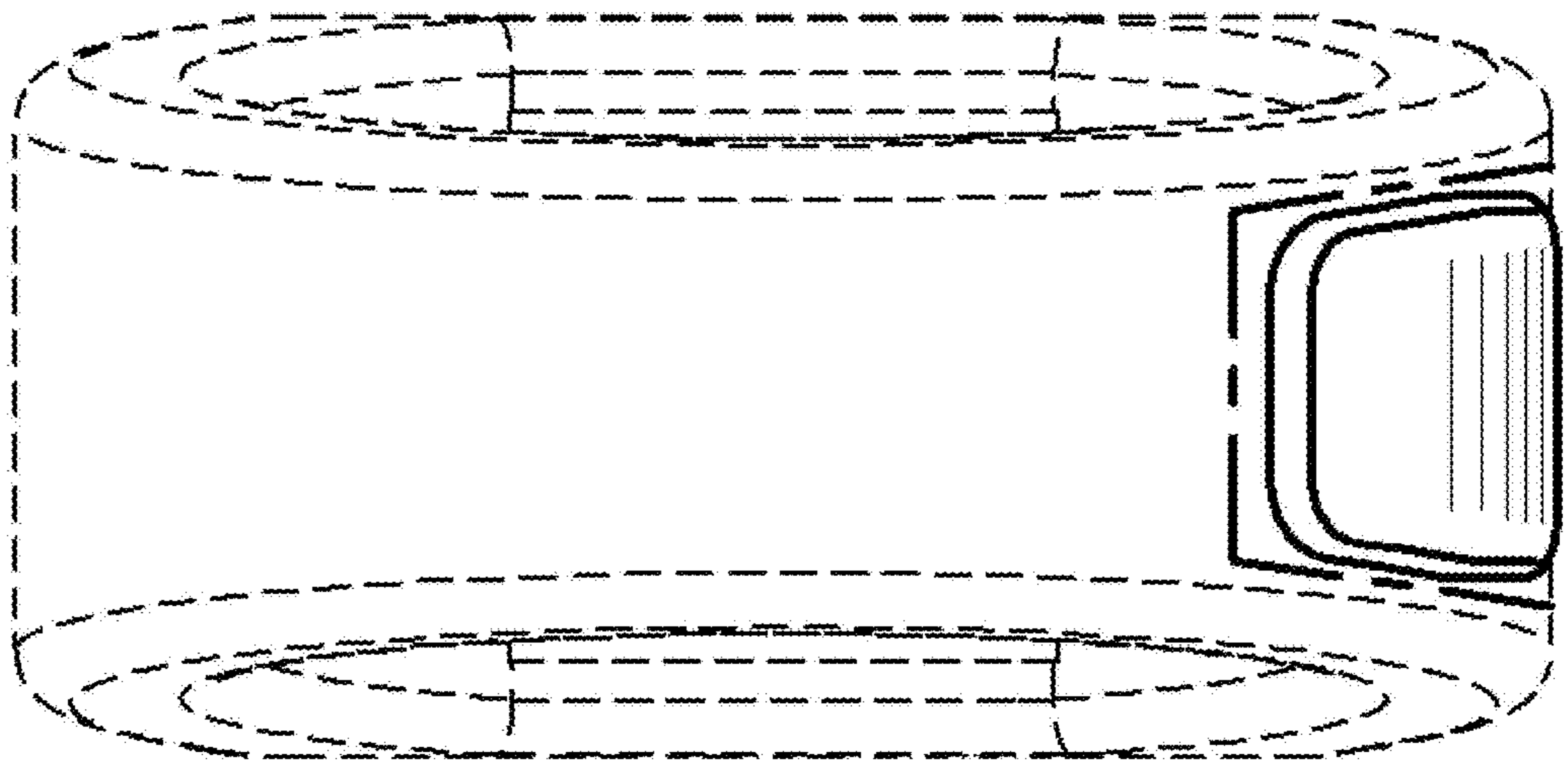
1.5



1.6



1.7



1.8

