



US00D927692S

(12) **United States Design Patent** (10) **Patent No.:** **US D927,692 S**  
**Chang et al.** (45) **Date of Patent:** **\*\* Aug. 10, 2021**

(54) **CHARGING BOARD FOR ELECTROCARDIOGRAPHY DEVICE**

(71) Applicant: **Quanta Computer Inc.**, Taoyuan (TW)

(72) Inventors: **Chia-Yuan Chang**, Taoyuan (TW);  
**Jung-Wen Chang**, Taoyuan (TW);  
**Kao-Yu Hsu**, Taoyuan (TW)

(73) Assignee: **QUANTA COMPUTER INC.**,  
Taoyuan (TW)

(\*\*) Term: **15 Years**

(21) Appl. No.: **29/708,926**

(22) Filed: **Oct. 10, 2019**

(30) **Foreign Application Priority Data**

Jun. 27, 2019 (TW) ..... 108303789

(51) **LOC (13) Cl.** ..... **24-01**

(52) **U.S. Cl.**  
USPC ..... **D24/167**; D13/108

(58) **Field of Classification Search**  
USPC ..... D24/107, 164–168, 186, 187, 232;  
D13/107, 108; D10/75; D14/344  
CPC .. A61B 5/02; A61B 5/28; A61B 5/305; A61B  
5/318; A61B 5/332; A61B 5/02055; A61B  
2560/0425

See application file for complete search history.

(56) **References Cited**

U.S. PATENT DOCUMENTS

D397,084 S \* 8/1998 Siddoway ..... D13/107  
6,765,366 B2 \* 7/2004 Maggert ..... H02J 7/00041  
320/114  
D516,026 S \* 2/2006 Barrett ..... D13/108  
D666,305 S \* 8/2012 Benarieh ..... D24/232

D681,232 S \* 4/2013 Benarieh ..... D24/232  
D719,507 S \* 12/2014 Ogihara ..... D13/108  
D743,884 S \* 11/2015 Kotaniemi ..... D13/108  
D749,042 S \* 2/2016 Gecawicz ..... D13/107  
D788,312 S \* 5/2017 Al-Ali ..... A61B 5/02416  
D24/186  
D808,021 S \* 1/2018 Coonahan ..... D24/186  
D813,806 S \* 3/2018 Ito ..... D13/108  
D881,828 S \* 4/2020 Zhang ..... D13/183  
D908,893 S \* 1/2021 Xia ..... D24/186  
2020/0329983 A1 \* 10/2020 Al-Ali ..... A61B 5/02233

\* cited by examiner

*Primary Examiner* — Lilyana Bekic

*Assistant Examiner* — Mary Shannon Malley

(74) *Attorney, Agent, or Firm* — McClure, Qualey &  
Rodack, LLP

(57) **CLAIM**

The ornamental design for a charging board for electrocardiography device, as shown and described.

**DESCRIPTION**

FIG. 1 is a top, front and right perspective view of a charging board for electrocardiography device, showing our new design;

FIG. 2 is a front view thereof;

FIG. 3 is a rear view thereof;

FIG. 4 is a right side view thereof;

FIG. 5 is a left side view thereof;

FIG. 6 is a top plan view thereof;

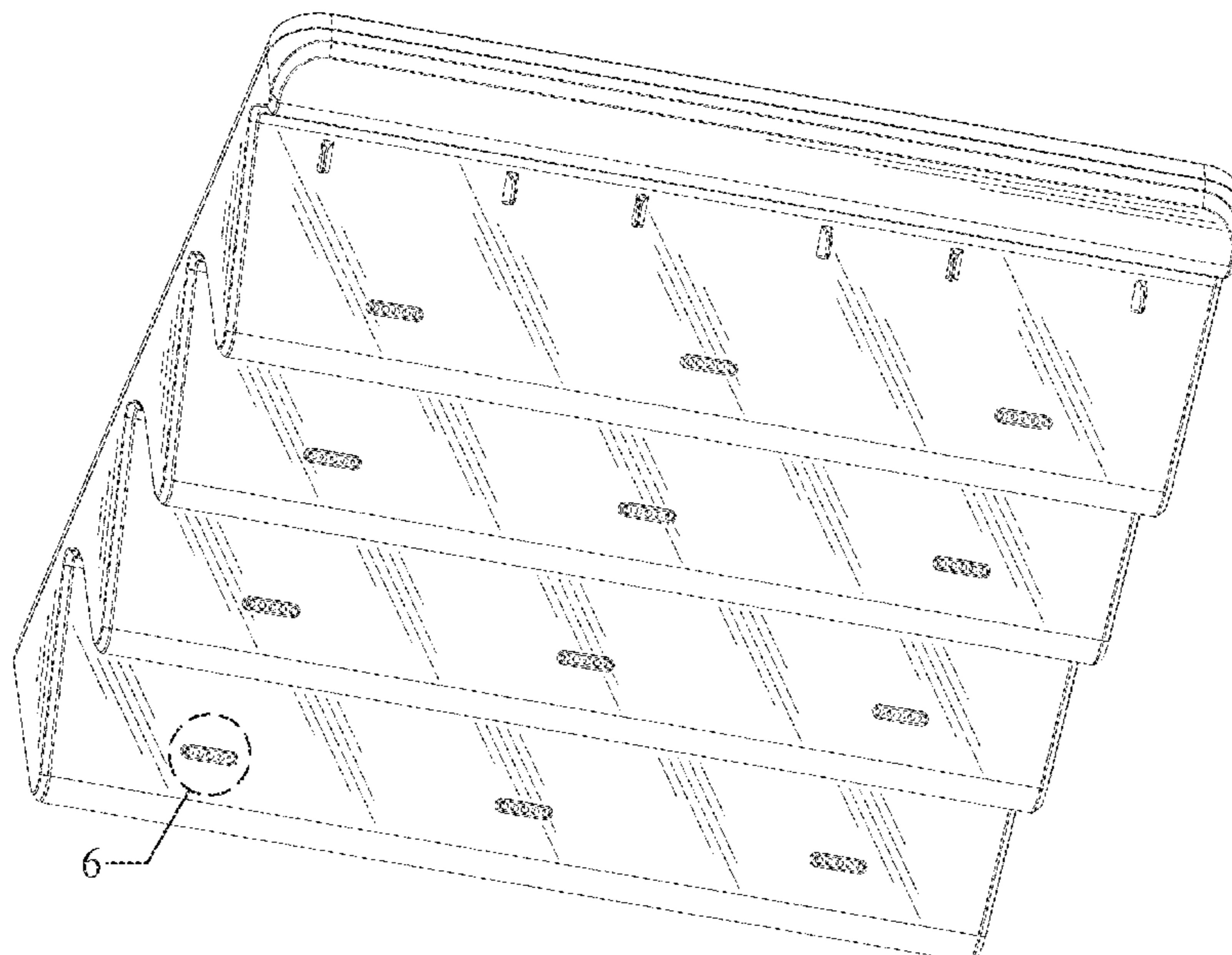
FIG. 7 is a bottom plan view thereof;

FIG. 8 is a bottom, front and right perspective view thereof; and,

FIG. 9 is an enlarged view of the area 9 in FIG. 1.

The dash-dash lines in FIGS. 1 and 9 represents the bounds of the enlargement taken from FIG. 1 and form no part of the claimed design.

**1 Claim, 9 Drawing Sheets**



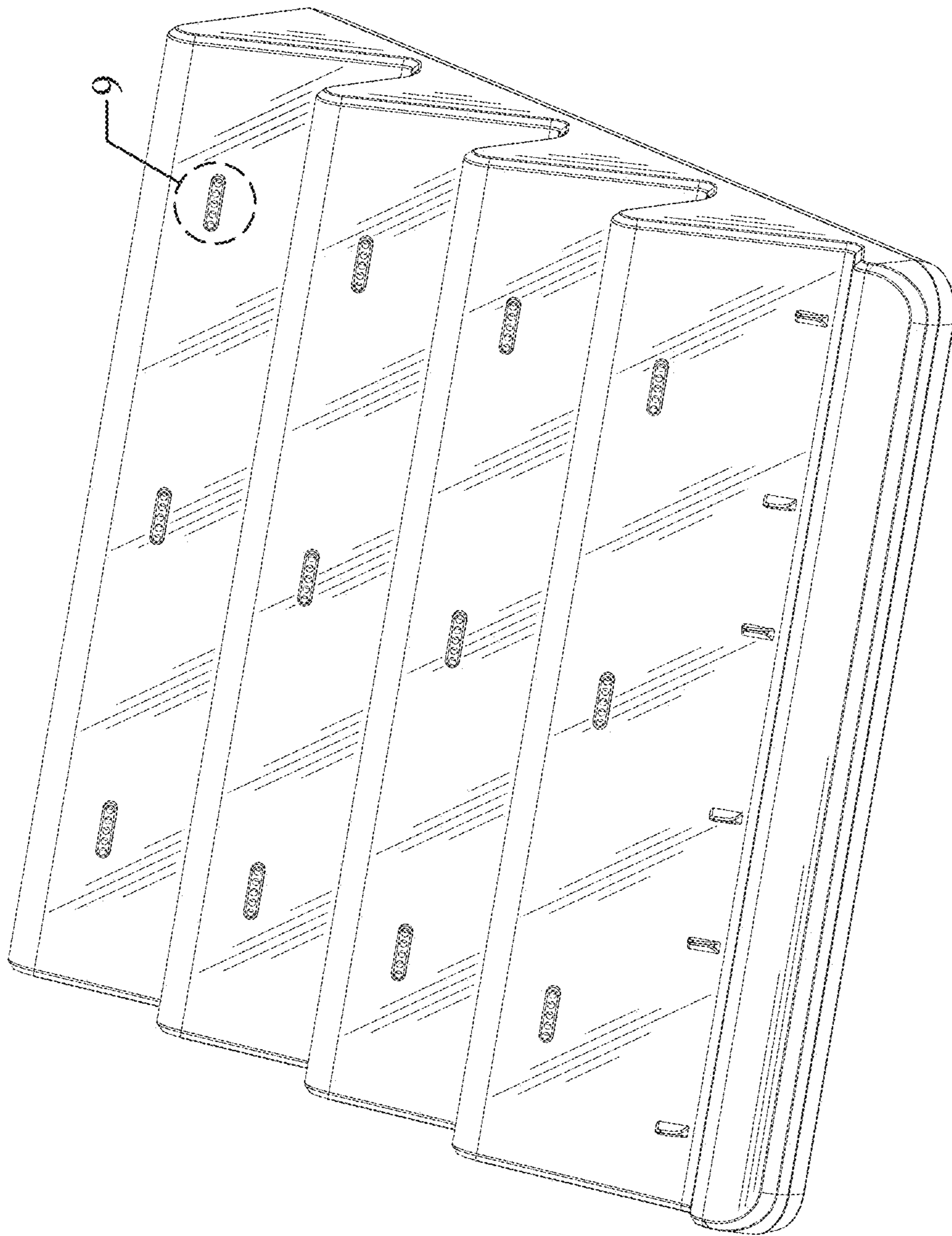


FIG. 1

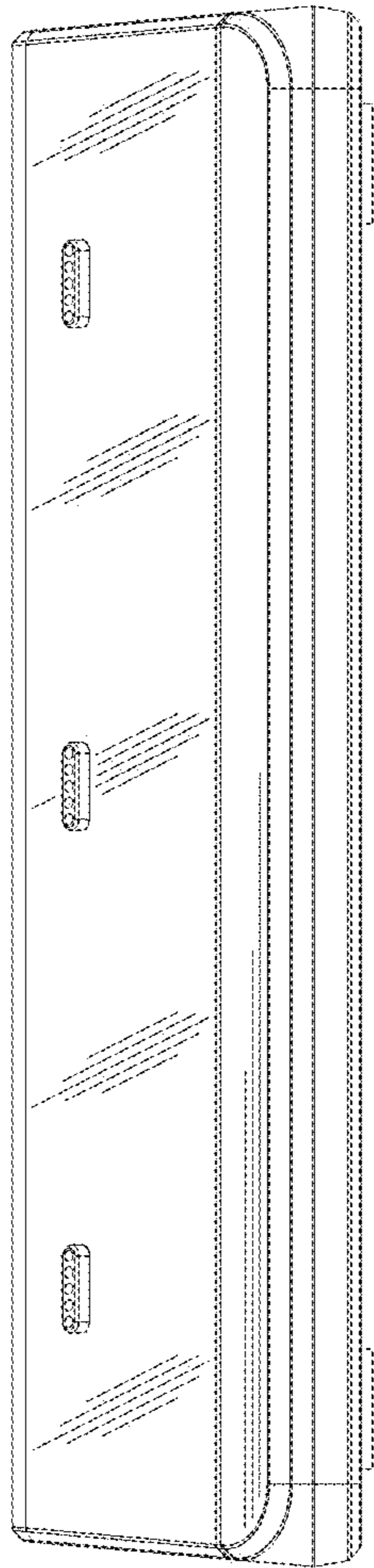


FIG. 2

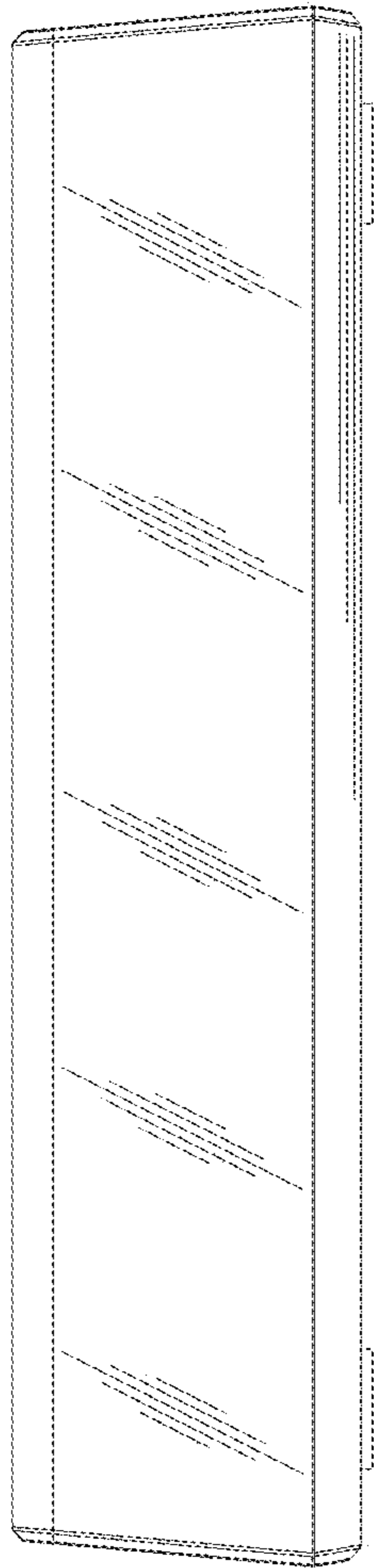


FIG. 3

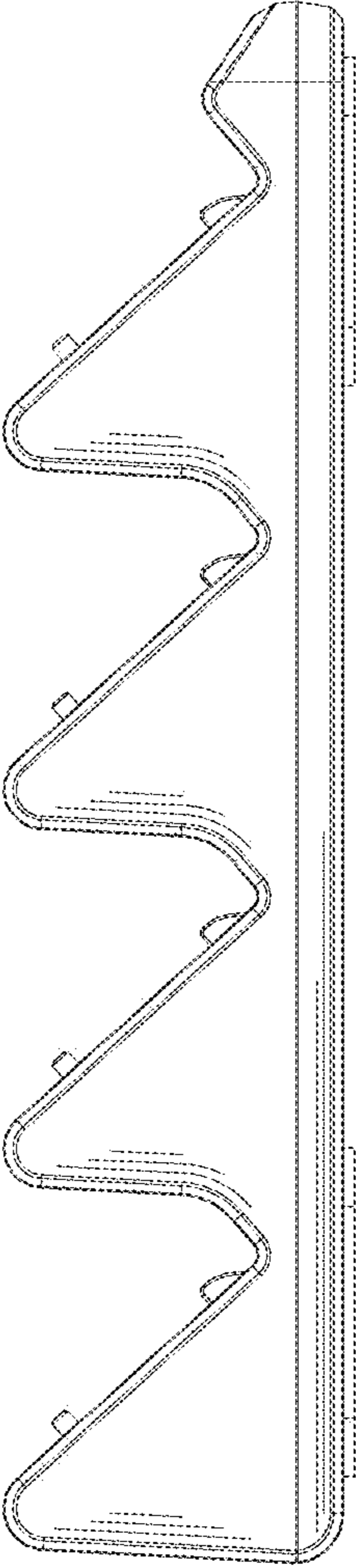


FIG. 4

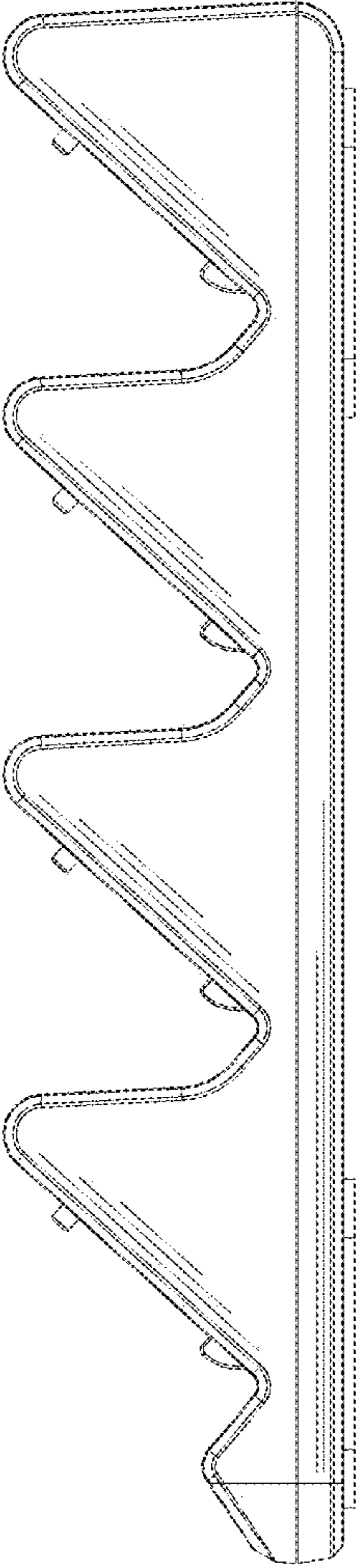


FIG. 5



FIG. 6

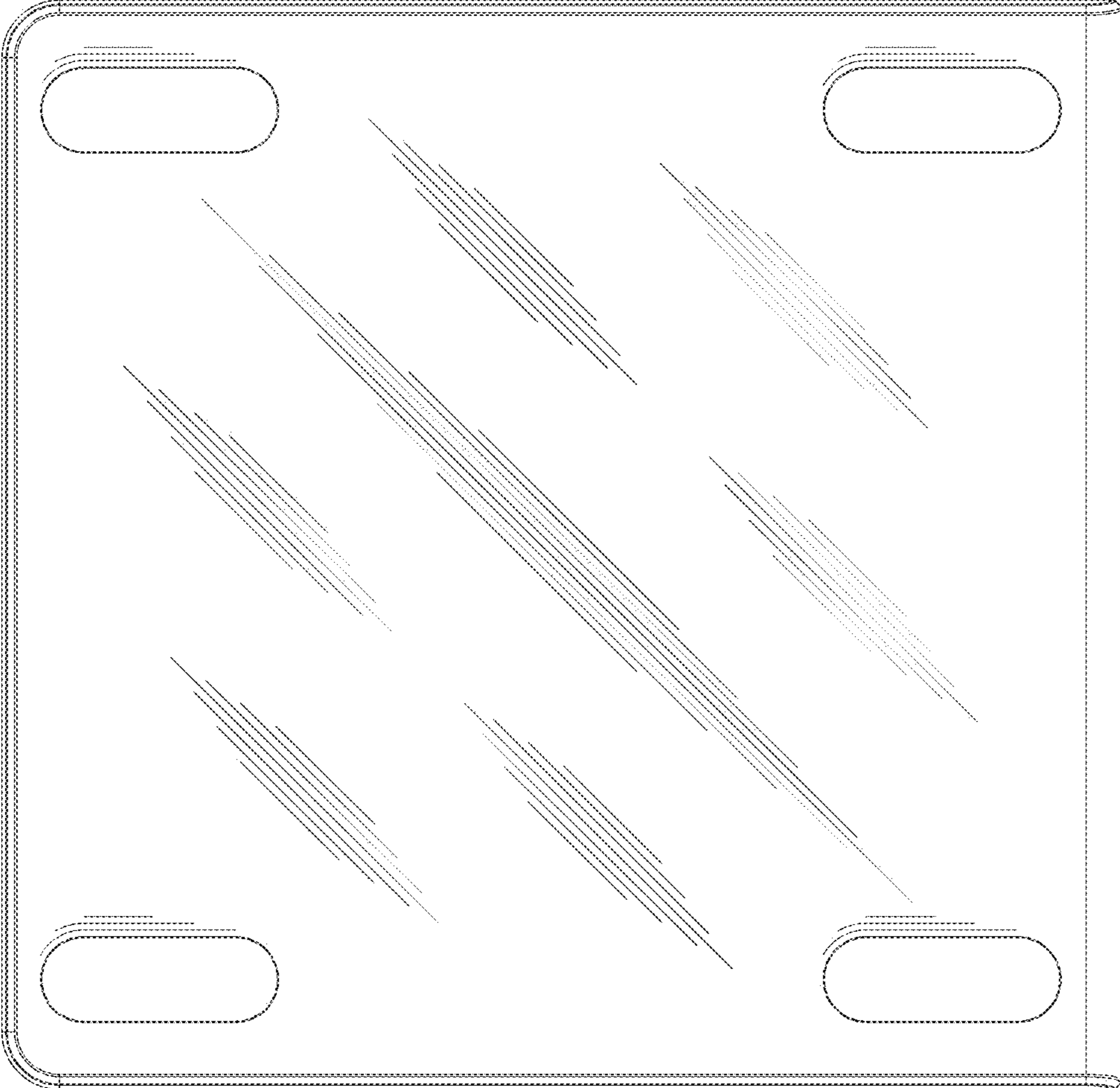


FIG. 7





FIG. 8

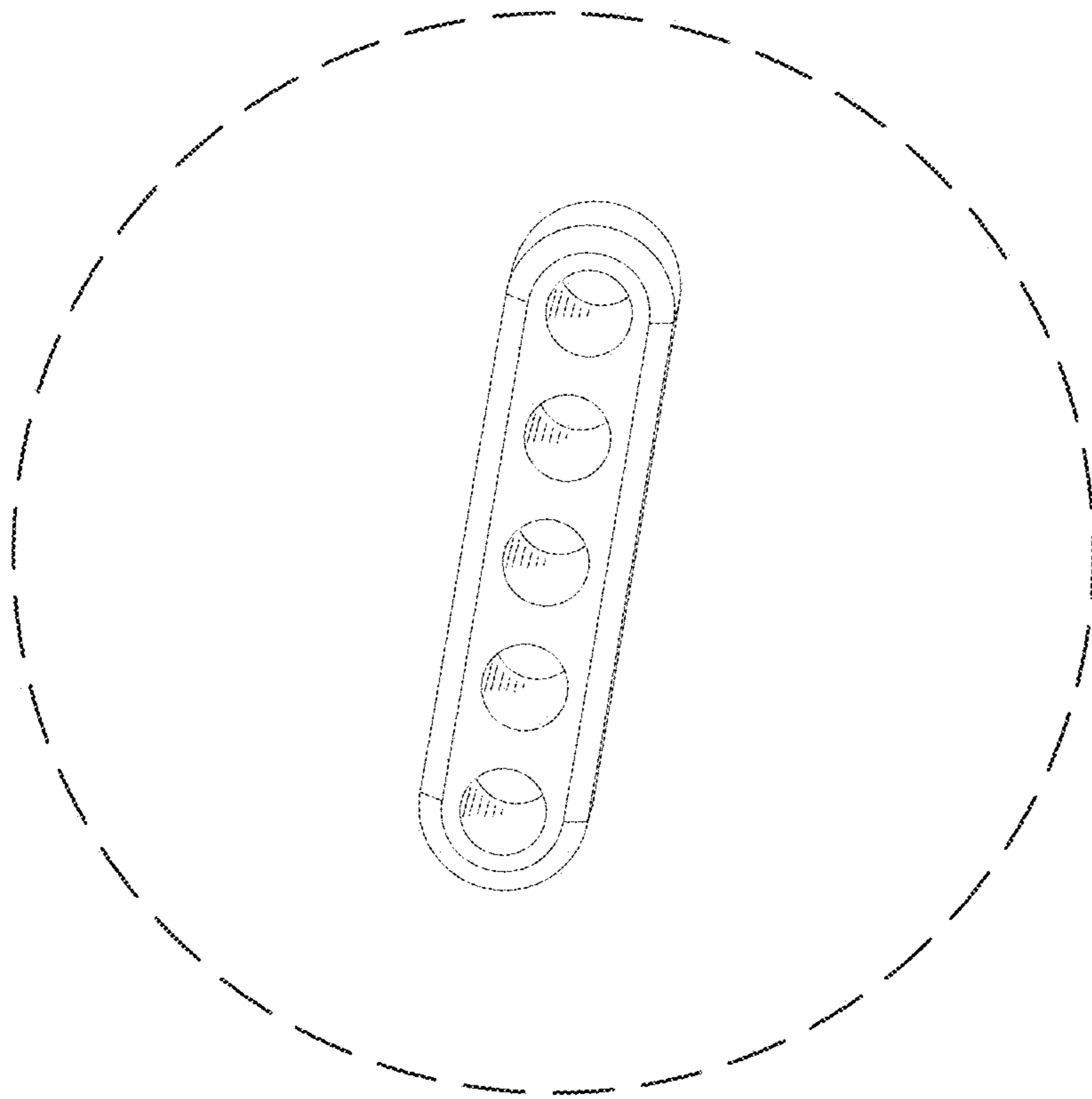


FIG. 9