



US00D927681S

(12) **United States Design Patent**
Shen

(10) **Patent No.:** **US D927,681 S**

(45) **Date of Patent:** **** Aug. 10, 2021**

(54) **CONTROLLER FOR AIR PRESSURE
MASSAGER**

D819,193 S 5/2018 Bertinetti et al.
D893,704 S * 8/2020 Pratt D24/110
D903,093 S * 11/2020 Seddon D24/108

(71) Applicant: **Guang Ping Shen**, Fushun (CN)

(72) Inventor: **Guang Ping Shen**, Fushun (CN)

(**) Term: **15 Years**

(21) Appl. No.: **29/721,241**

(22) Filed: **Jan. 19, 2020**

(51) **LOC (13) Cl.** **29-02**

(52) **U.S. Cl.**
USPC **D24/110**

(58) **Field of Classification Search**
USPC D13/101, 110, 112, 113, 114, 115, 116,
D13/118, 122; D24/144, 216, 220, 232,
D24/233, 167, 170, 185, 200, 214, 108,
D24/110

CPC F02B 63/04; F02D 19/066; F24H 9/02;
A61B 18/1206; A61B 18/1402; A61B
18/1815; H01R 13/64; H02K 21/042;
H02K 7/006; H02H 3/025; A61N 1/00;
A61N 1/05; A61N 1/32

See application file for complete search history.

(56) **References Cited**

U.S. PATENT DOCUMENTS

D313,397 S * 1/1991 Willcox D13/158
5,130,503 A * 7/1992 Heiress H01H 35/34
200/61.7
D453,740 S * 2/2002 Lexer D13/158
D776,802 S 1/2017 Loew et al.

OTHER PUBLICATIONS

Weight Loss Machine, Enshey Air Pressure Lymph Drainage Toxin
Body Slimming Equipment, [Retrieved May 19, 2021]. Retrieved
from https://www.amazon.com/Enshey-Pressure-Drainage-Equipment-Eliminate/dp/B07KM5GT1T/ref=sr_1_26?dchild=1&keywords=airwave+pressure+therapy+instrument&qid=1621423930&sr=8-26.

* cited by examiner

Primary Examiner — Derrick E Holland

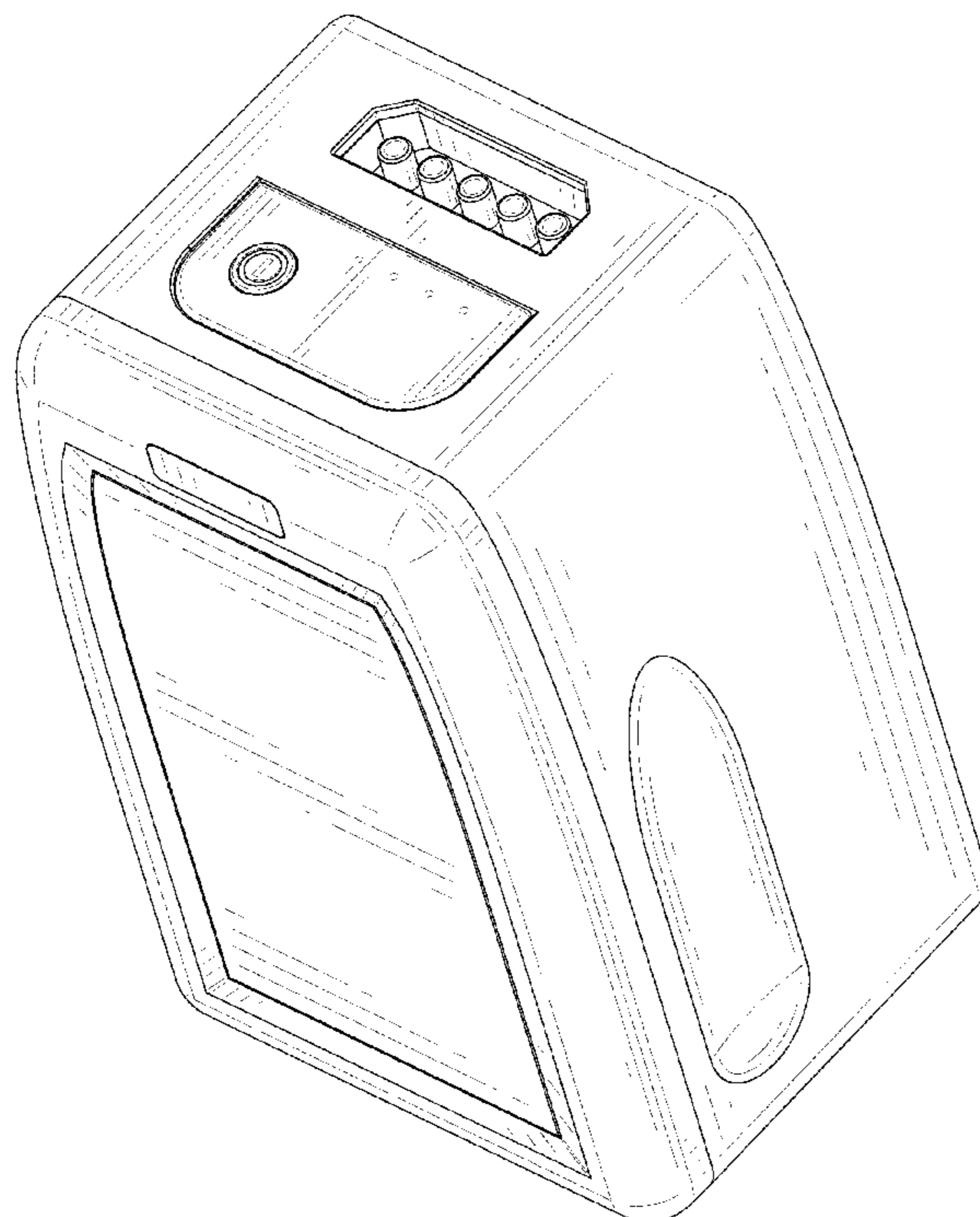
(57) **CLAIM**

The ornamental design for a controller for air pressure
massager, as shown and described.

DESCRIPTION

FIG. 1 is a perspective view of a controller for air pressure
massager showing my new design;
FIG. 2 is another perspective view thereof;
FIG. 3 is a front elevational view thereof;
FIG. 4 is a rear elevational view thereof;
FIG. 5 is a left side elevational view thereof;
FIG. 6 is a right side elevational view thereof;
FIG. 7 is a top plan view thereof; and,
FIG. 8 is a bottom plan view thereof.
The broken lines in the drawings depict portions of the
controller for air pressure massager that form no part of the
claimed design.

1 Claim, 8 Drawing Sheets



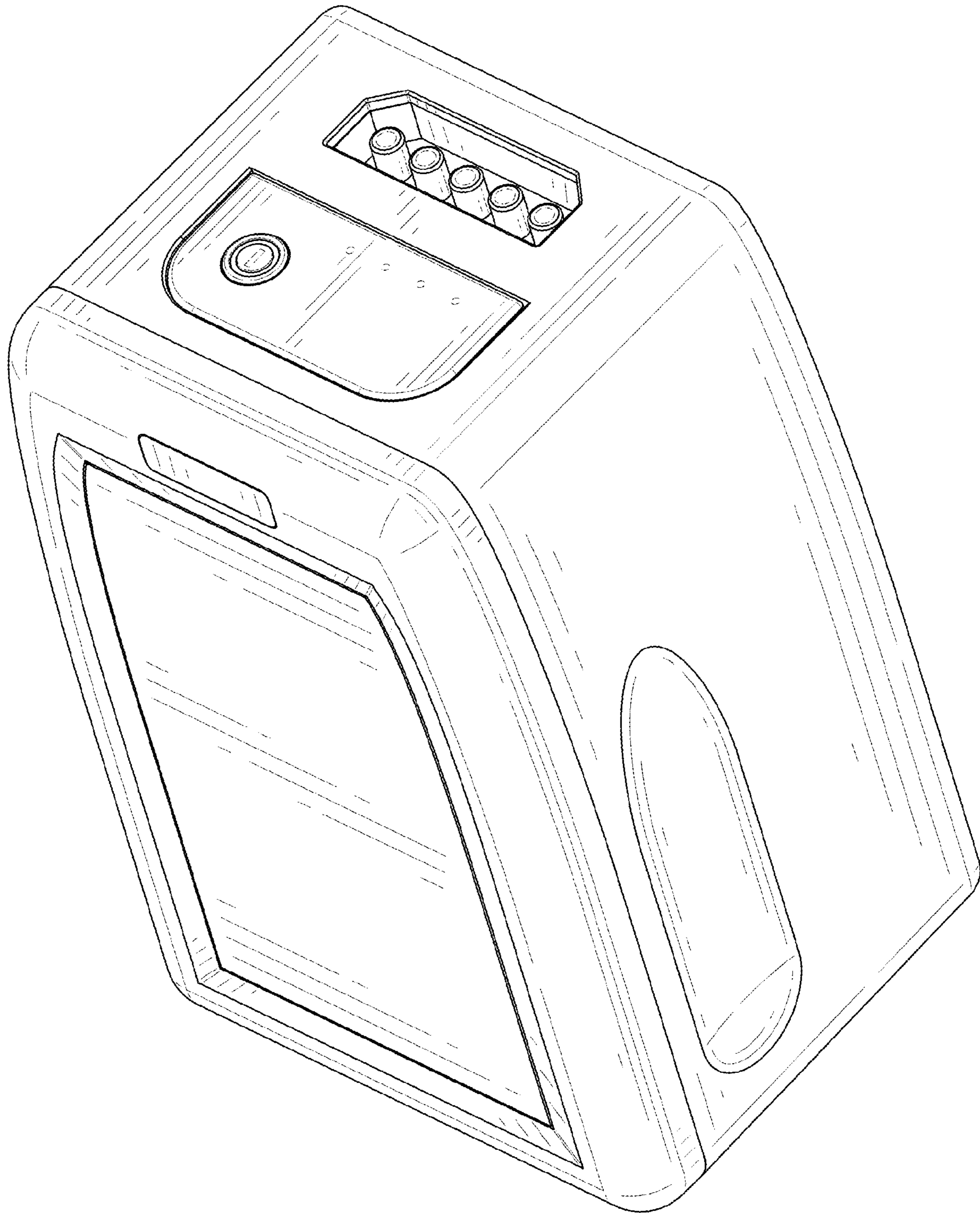


FIG. 1

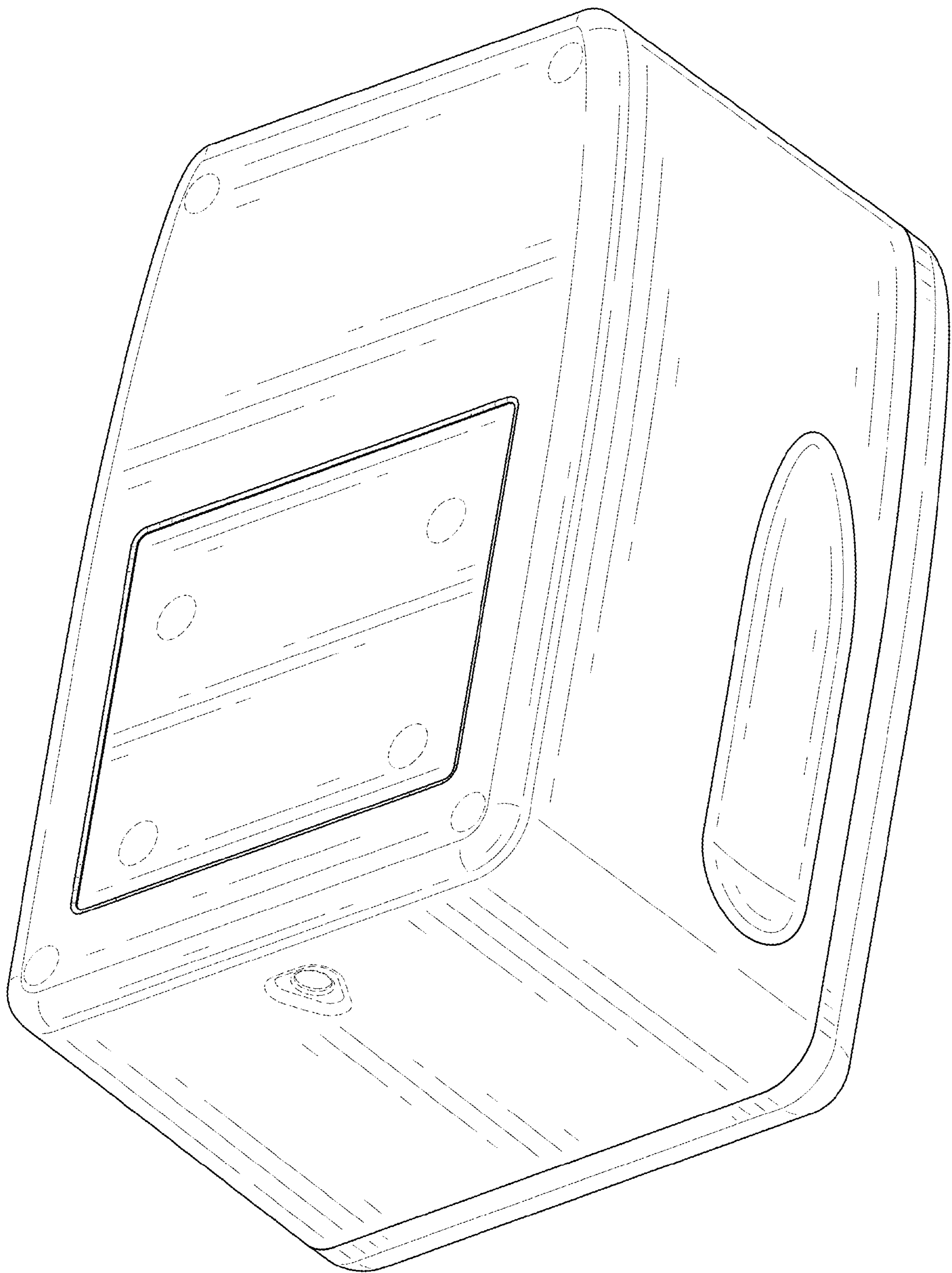


FIG. 2

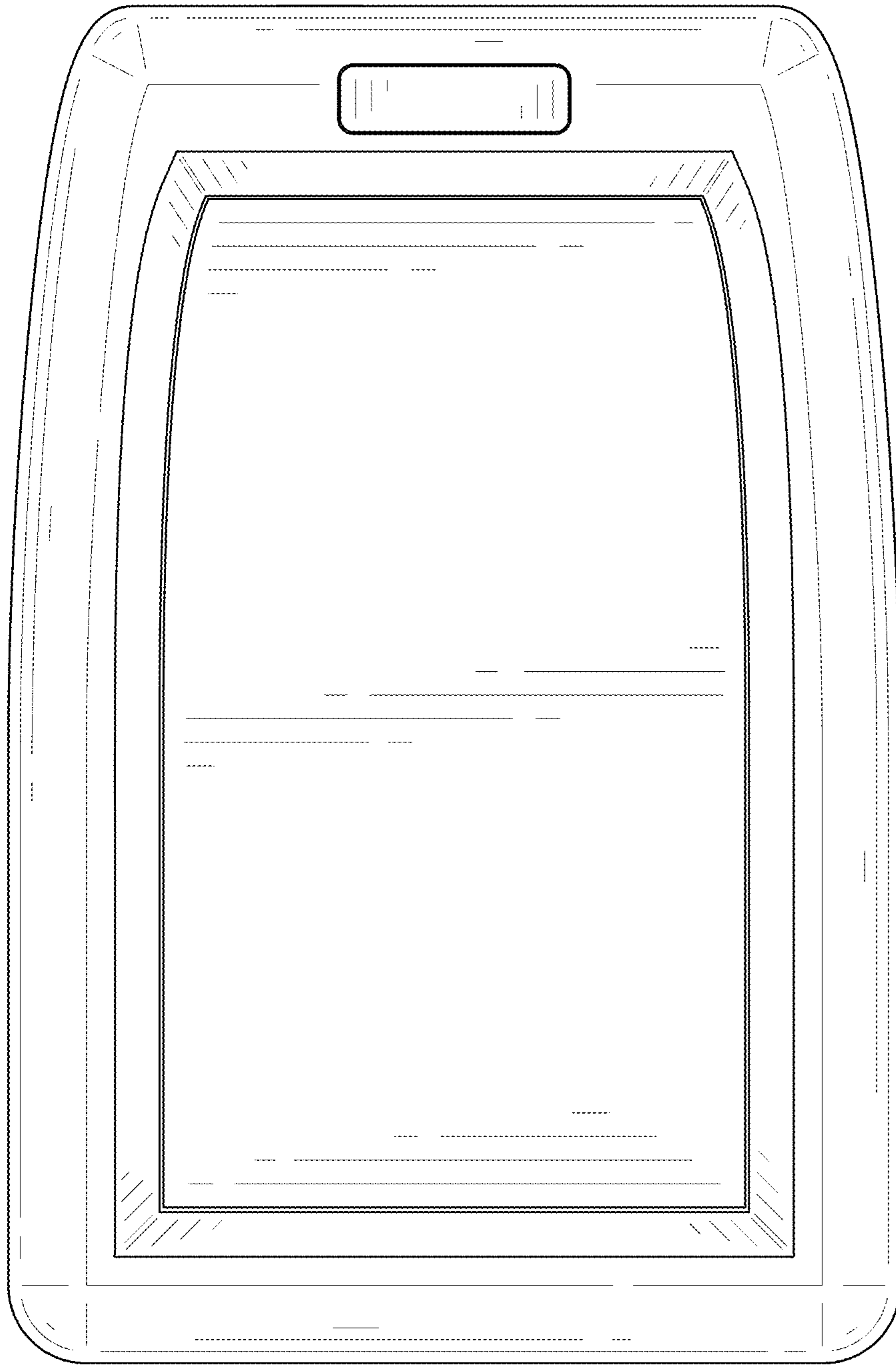


FIG. 3

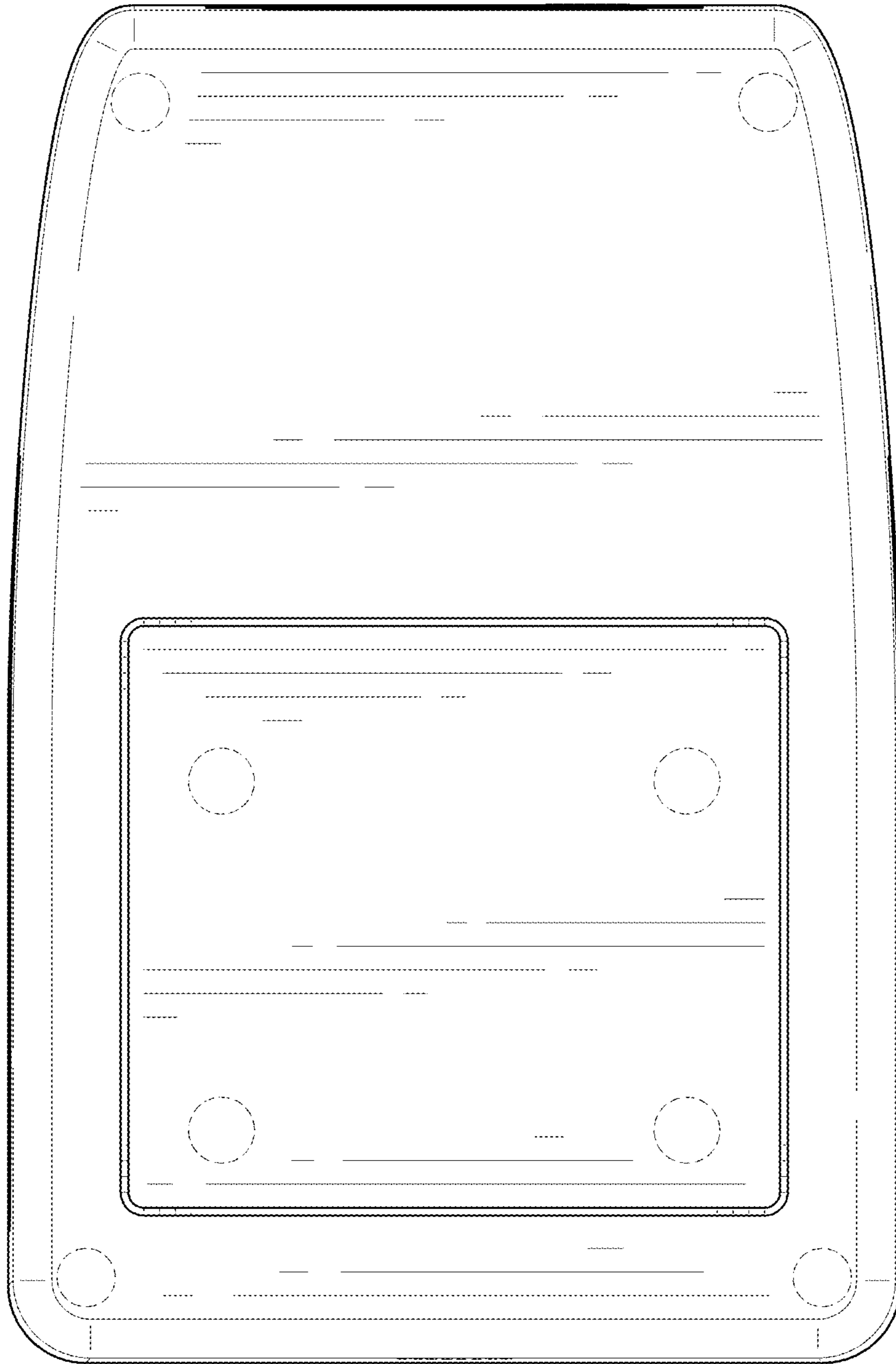


FIG. 4

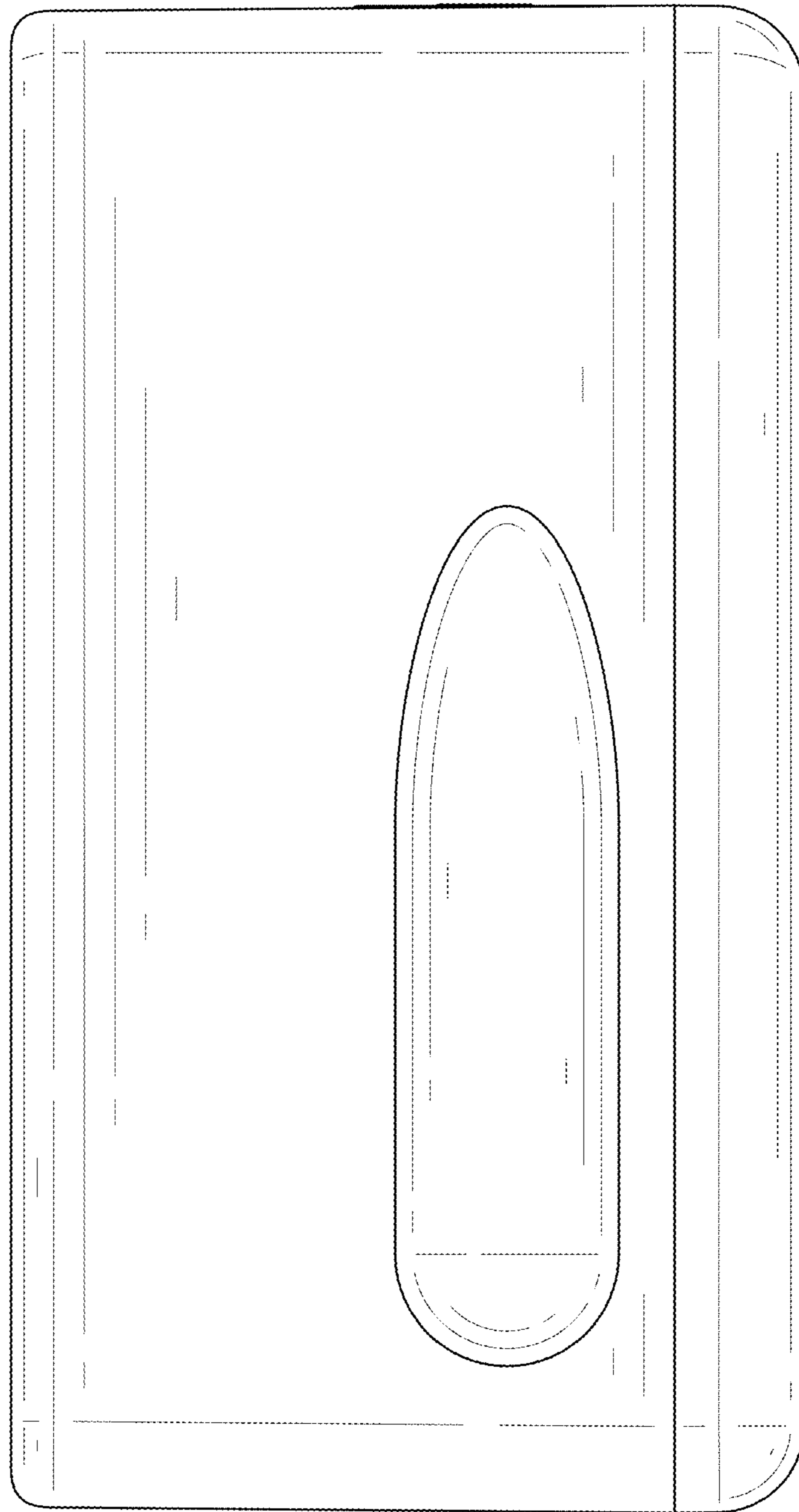


FIG. 5

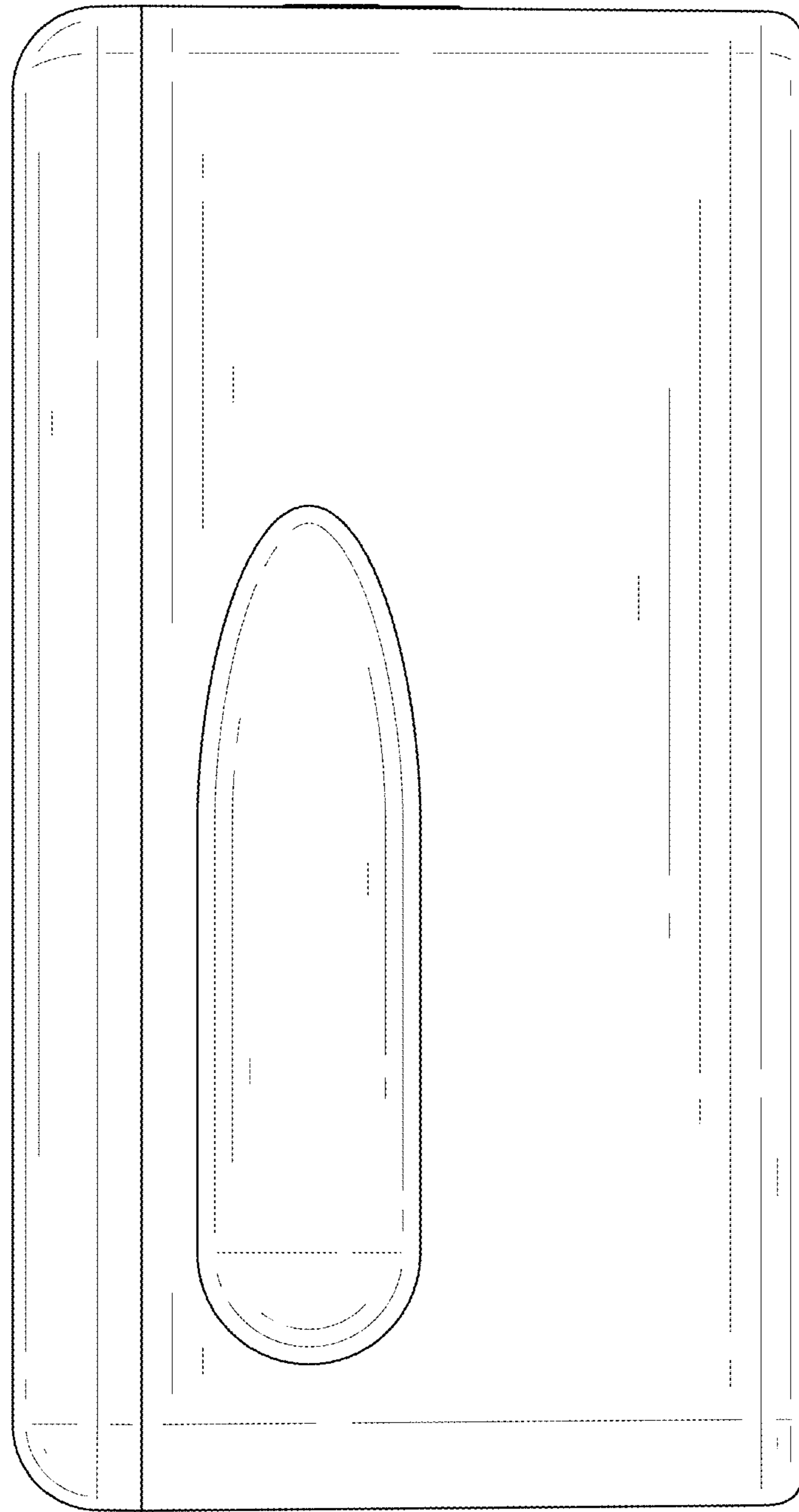


FIG. 6

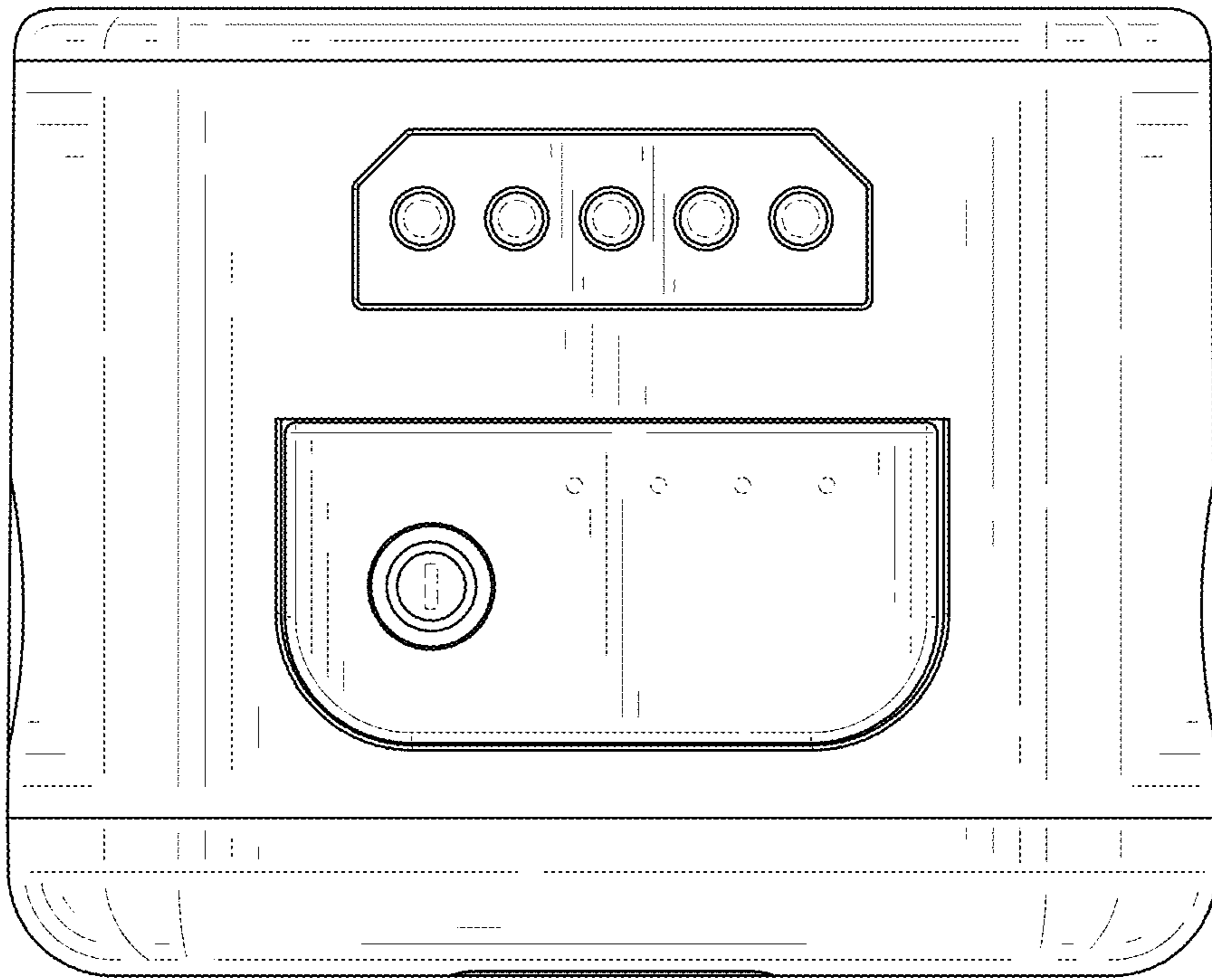


FIG. 7

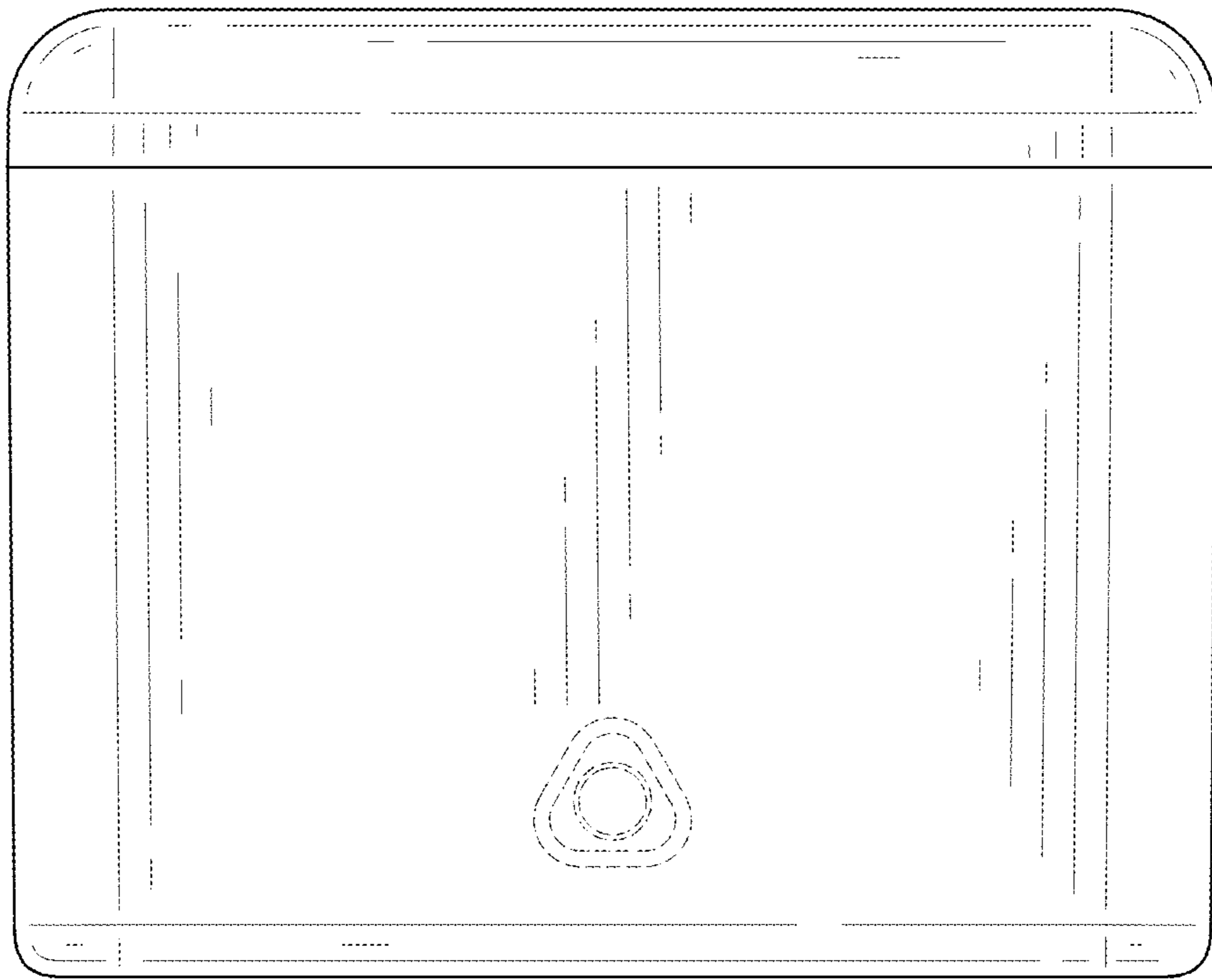


FIG. 8