



US00D927680S

(12) **United States Design Patent**
Schmidt

(10) **Patent No.:** **US D927,680 S**

(45) **Date of Patent:** **** *Aug. 10, 2021**

(54) **OCTAGON-SHAPED HOUSING AND CONTROL PANEL FOR AN AIR-MOVING DEVICE**

(71) Applicant: **Michael P. Schmidt**, Clarence, NY (US)

(72) Inventor: **Michael P. Schmidt**, Clarence, NY (US)

(*) Notice: This patent is subject to a terminal disclaimer.

(**) Term: **15 Years**

(21) Appl. No.: **29/670,997**

(22) Filed: **Nov. 21, 2018**

(51) **LOC (13) Cl.** **23-04**

(52) **U.S. Cl.**
USPC **D23/383**

(58) **Field of Classification Search**
USPC D23/200, 314, 333, 334, 351, 355, 370, D23/383, 359, 364, 365, 371-373, 376, D23/381-382, 384-387, 393, 399, 411, D23/499, 335; D32/15, 23, 25; D15/7; D13/162
CPC F04D 29/28; F04D 29/281; F04D 29/40; F04D 29/4226; F04D 29/4253; F04D 19/00; F04D 19/002; A61M 16/0066; A61L 9/12; A61L 9/04; A61L 9/122
See application file for complete search history.

(56) **References Cited**

U.S. PATENT DOCUMENTS

D282,396 S *	1/1986	Weaver	D23/383
5,030,068 A *	7/1991	Jacobs	F04D 29/626
				417/363
5,174,048 A *	12/1992	Shero	F26B 21/001
				34/444
D340,326 S *	10/1993	Genovese	D32/15
5,403,152 A *	4/1995	Trautloff	F04D 29/4226
				415/206

D361,414 S *	8/1995	Trautloff	D32/15
D482,772 S *	11/2003	Dooley	D23/383
D512,500 S *	12/2005	Wilson, Jr.	D23/383
D512,501 S *	12/2005	Wilson, Jr.	D23/383
D530,002 S *	10/2006	Ching	D23/317
D566,823 S *	4/2008	Lewis	D23/383

(Continued)

OTHER PUBLICATIONS

Ironton Mini Air Mover Carpet-Floor Blower with Built-In Outlet— $\frac{1}{8}$ HP. [online] 3 pgs. Available at least as early as Jul. 24, 2017—See review. [retrieved Jun. 15, 2020] https://www.northerntool.com/shop/tools/product_200673790_200673790.*

(Continued)

Primary Examiner — Marie D. Fast Horse

(74) *Attorney, Agent, or Firm* — Vincent G. LoTempio

(57) **CLAIM**

The ornamental design for a octagon-shaped housing and control panel for an air-moving device, as shown and described.

DESCRIPTION

FIG. 1 is a perspective view of the octagon-shaped housing and control panel for an air-moving device showing my new design;

FIG. 2 is a front view of my new design;

FIG. 3 is a left side view of my new design;

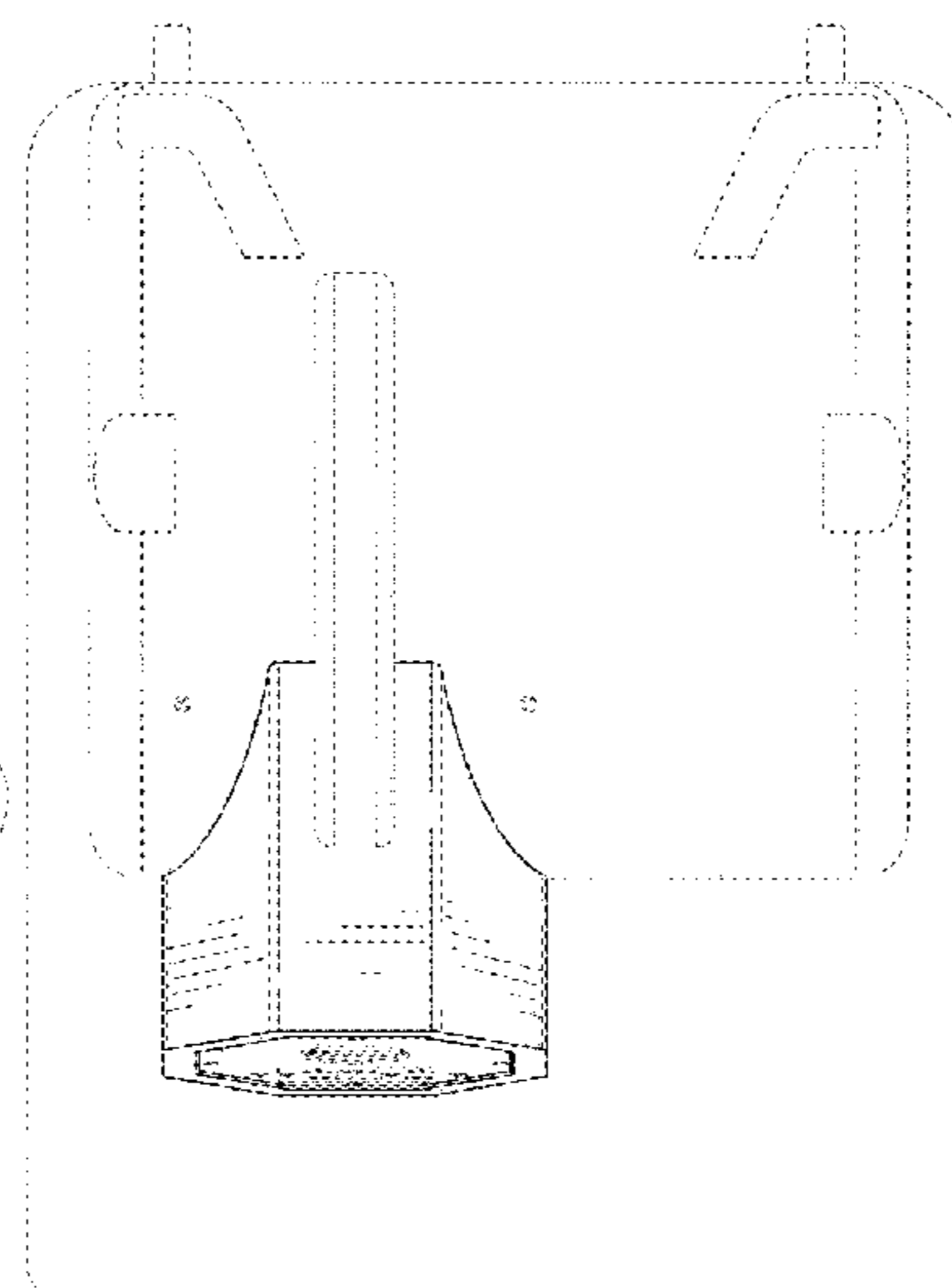
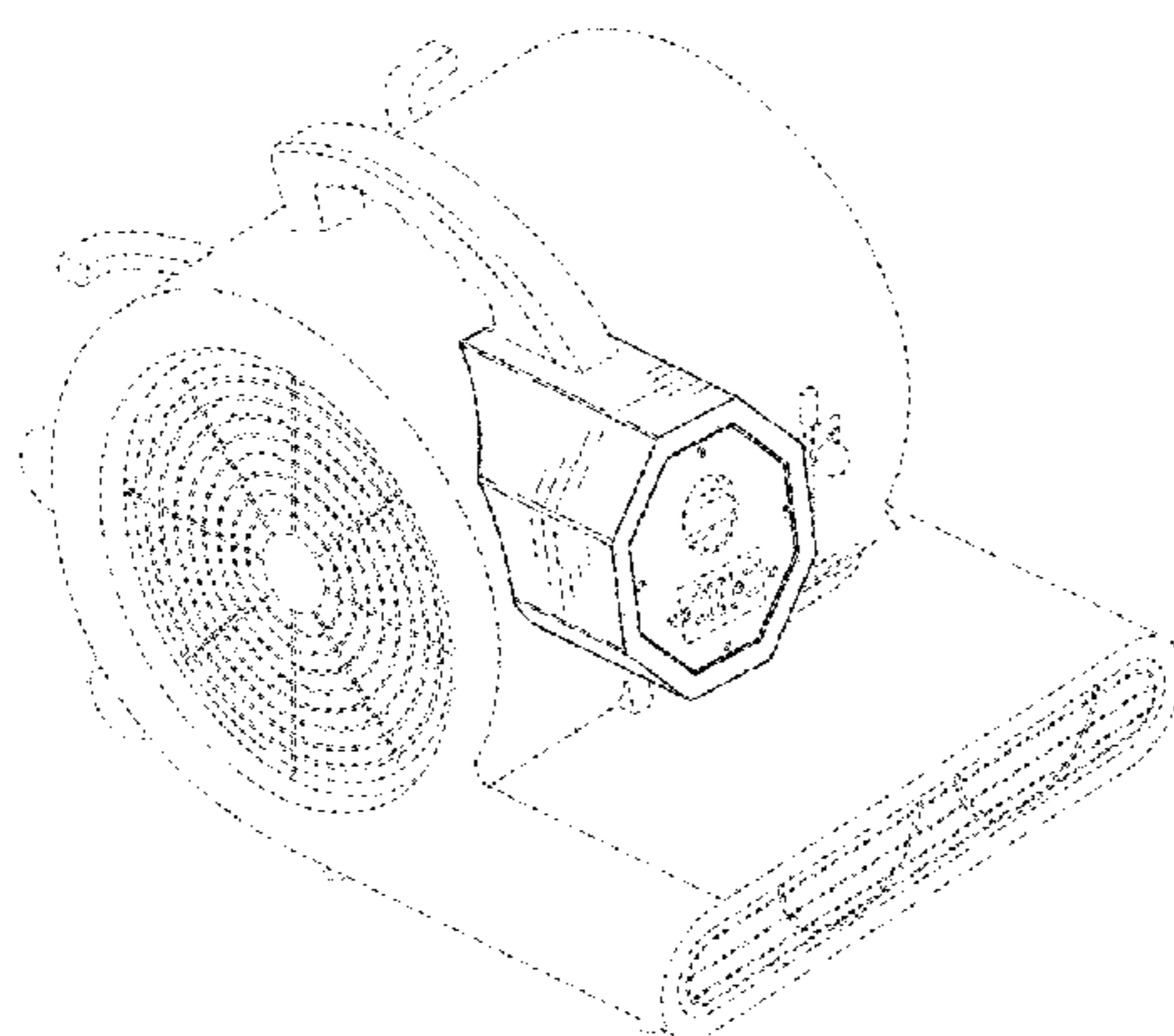
FIG. 4 is a right side view of my new design; and,

FIG. 5 is a top view of my new design.

The broken lines shown on the face of the control panel depict portions of the octagon-shaped housing and control panel for an air-moving device that form no part of the claimed design, while all other broken lines depict environmental structure that form no part of the claim.

The unshaded surface of the control panel shown between the broken lines and solid lines forms no part of the claimed design.

1 Claim, 5 Drawing Sheets



(56)

References Cited

U.S. PATENT DOCUMENTS

D594,962 S * 6/2009 Lewis D23/383
 D596,283 S * 7/2009 Martinez D23/383
 D698,433 S * 1/2014 Tomasiak D23/383
 D704,908 S * 5/2014 Cui D23/383
 D729,999 S * 5/2015 Aoi D15/12
 D733,981 S * 7/2015 Sechere D32/8
 9,091,279 B2 * 7/2015 Cui F04D 25/08
 D800,293 S * 10/2017 Chan D23/383
 9,863,698 B1 * 1/2018 Turner F26B 3/04
 D810,269 S * 2/2018 Sanders D23/383
 D835,254 S * 12/2018 Sanders D23/411
 D835,774 S * 12/2018 Shapiro D23/383
 D836,766 S * 12/2018 He D23/383
 D837,360 S * 1/2019 Cui D23/383
 D837,964 S * 1/2019 Cui D23/383
 D849,924 S * 5/2019 Sanders D23/383
 D852,940 S * 7/2019 Cui D23/383
 D869,631 S * 12/2019 Tschopp D23/383

D869,632 S * 12/2019 He D23/383
 D869,633 S * 12/2019 He D23/383
 D869,634 S * 12/2019 He D23/383
 2004/0047743 A1 * 3/2004 Dooley F24F 7/007
 417/234
 2006/0049615 A1 * 3/2006 Day F26B 21/001
 280/655.1
 2007/0051007 A1 * 3/2007 Reets F26B 3/02
 34/86
 2016/0175472 A1 * 6/2016 Tan A61L 9/122
 422/4
 2019/0113218 A1 * 4/2019 Wiegel F21V 29/89

OTHER PUBLICATIONS

Ironton Air Mover Carpet-Floor Blower, [online] 3 pgs. Available as early as Jul. 19, 2017—See reviews [retrieved Jun. 15, 2020] https://www.northern_tool.com/shop/tools/product_200673788_200673788.*

* cited by examiner

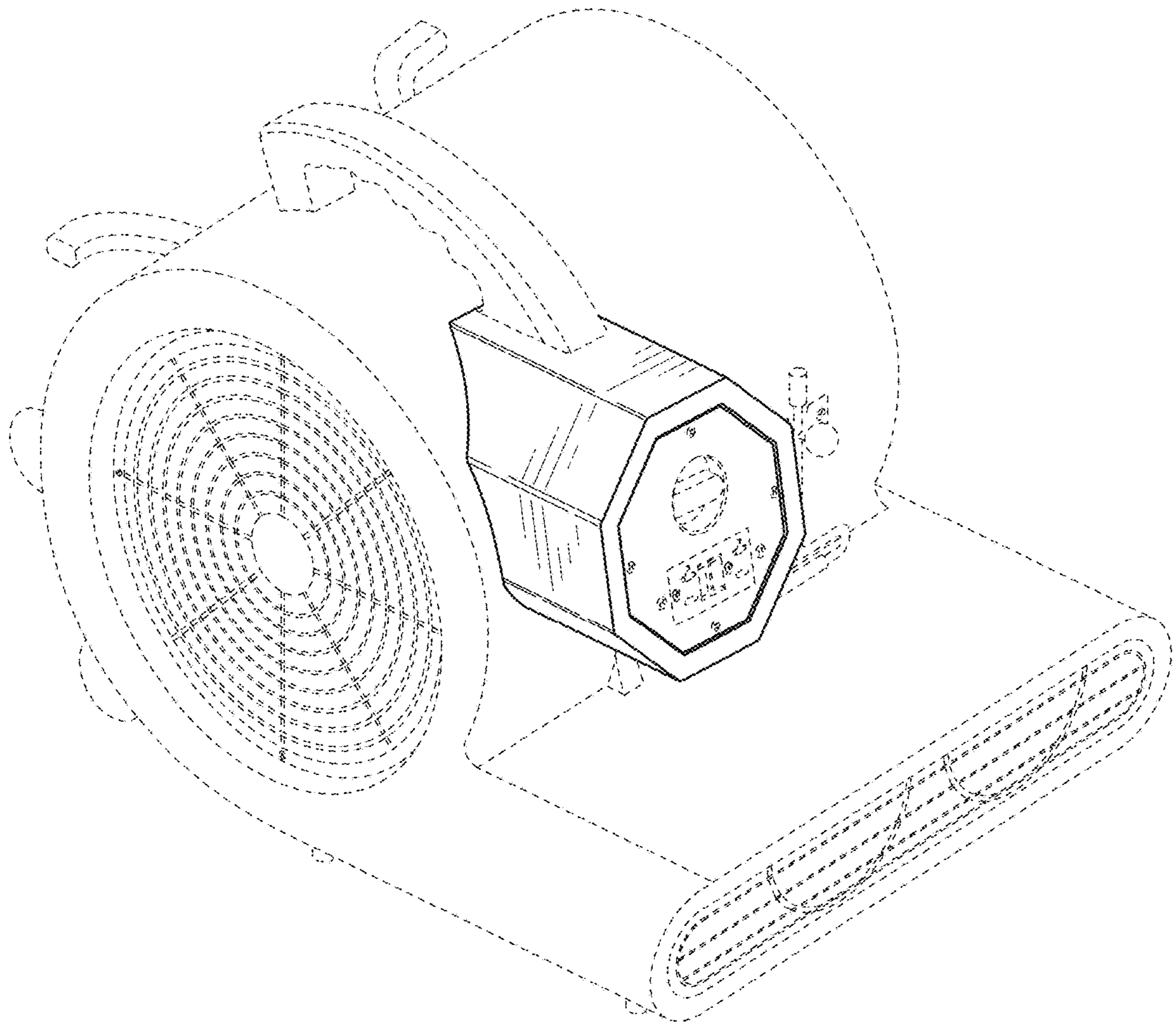


FIG. 1

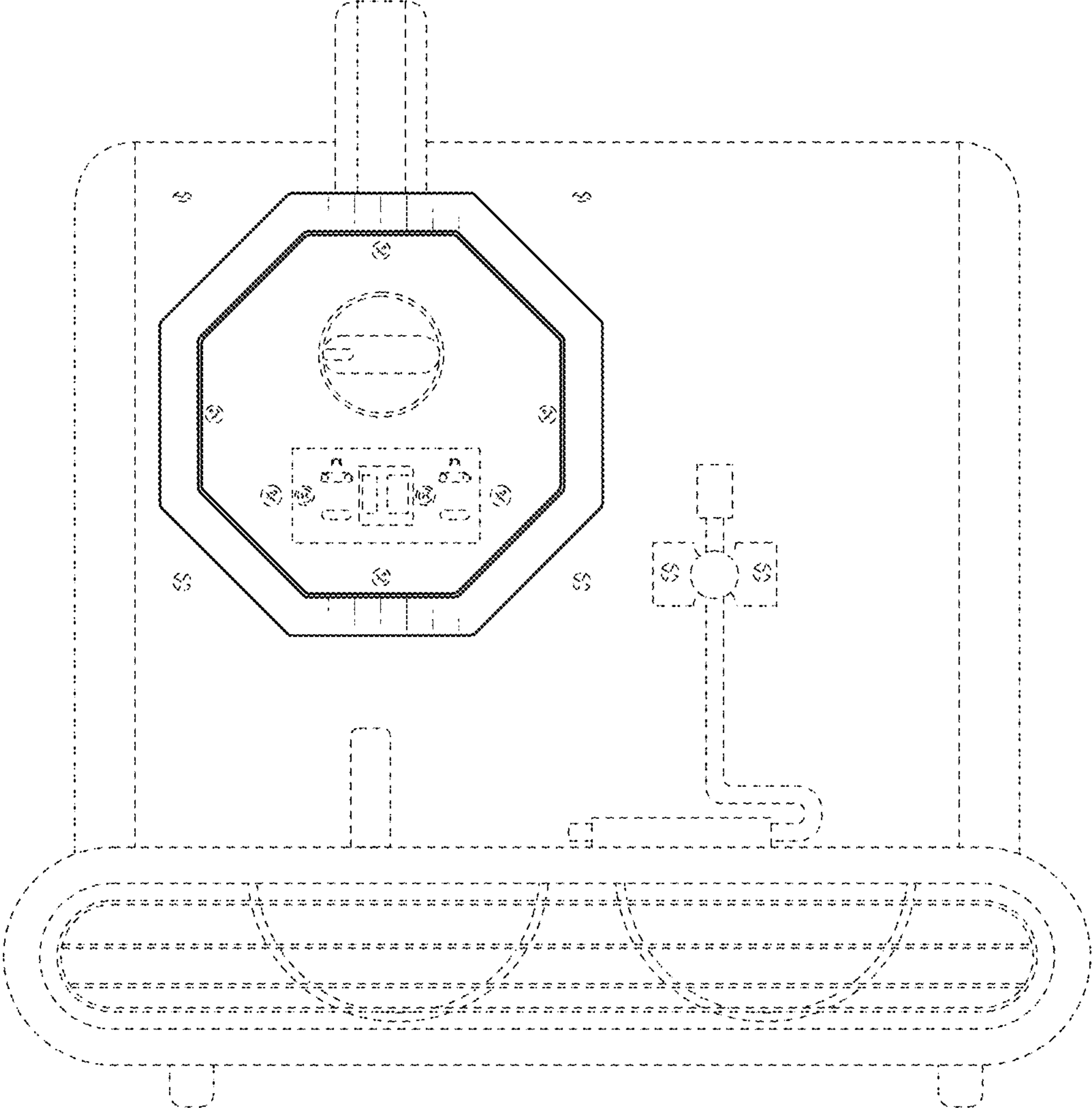


FIG. 2

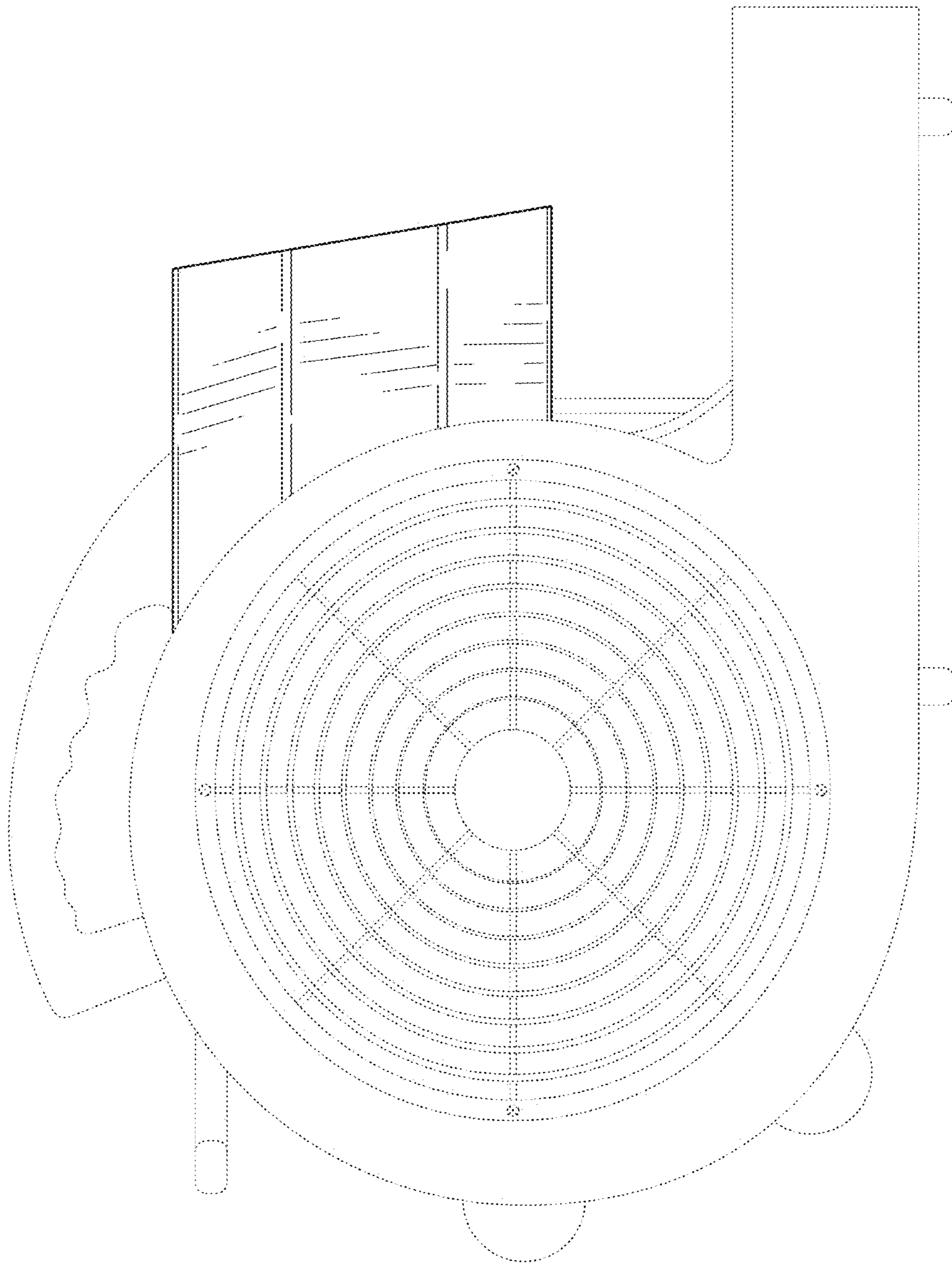


FIG. 3

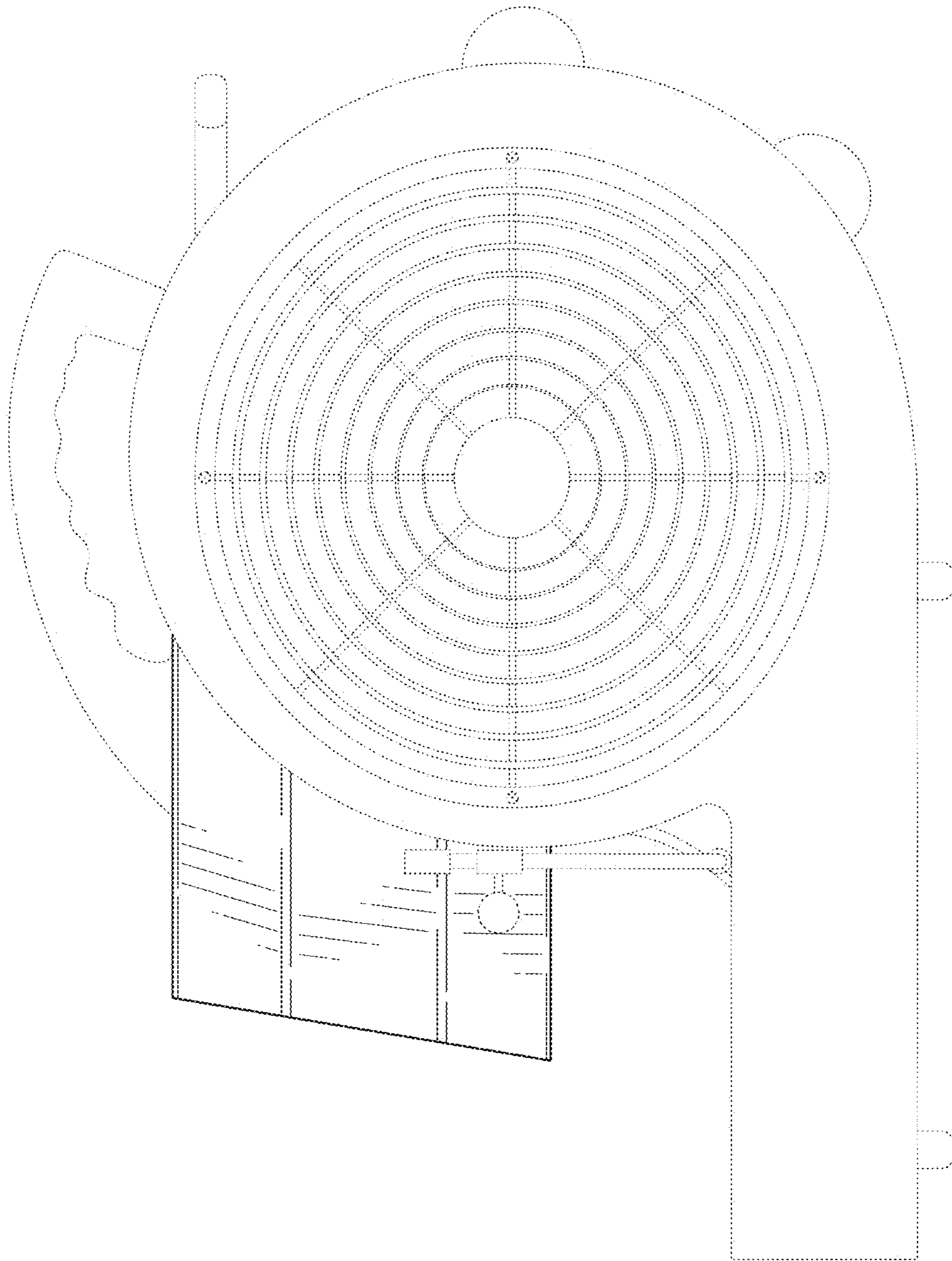


FIG. 4

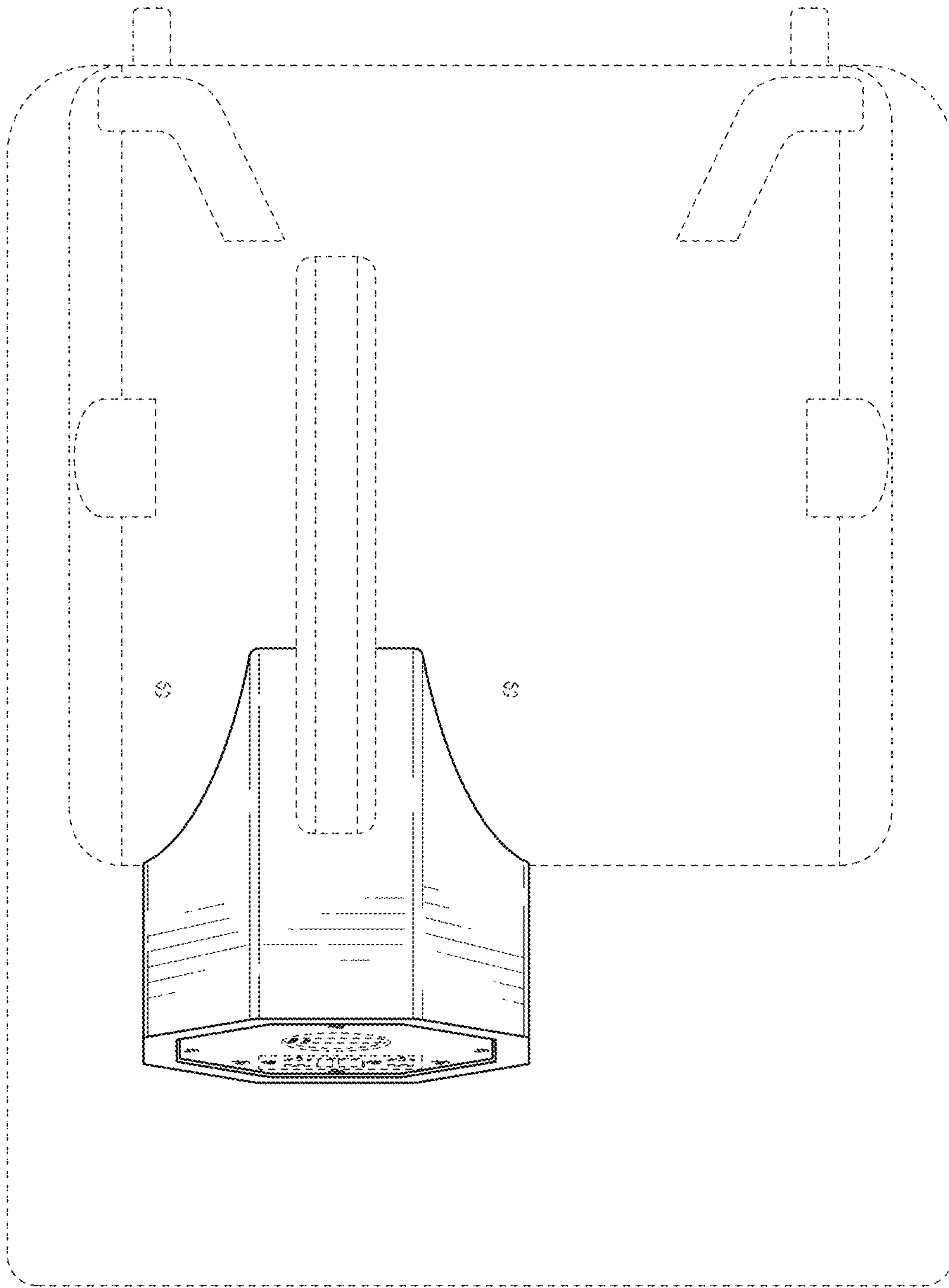


FIG. 5