



US00D927676S

(12) **United States Design Patent**  
**Hanson et al.**

(10) **Patent No.:** **US D927,676 S**

(45) **Date of Patent:** **\*\* Aug. 10, 2021**

(54) **AIR FILTER**

(71) Applicant: **Electrolux Home Products, Inc.**,  
Charlotte, NC (US)

(72) Inventors: **Josh Hanson**, Huntersville, NC (US);  
**Brent Aaron Curtis**, Terrell, NC (US);  
**Eric Hitchcock**, Harrisburg, NC (US);  
**Ramesh Subramanian**, Charlotte, NC  
(US)

(73) Assignee: **Electrolux Home Products, Inc.**,  
Charlotte, NC (US)

(\*\*) Term: **15 Years**

(21) Appl. No.: **29/703,070**

(22) Filed: **Aug. 23, 2019**

(51) **LOC (13) Cl.** ..... **23-04**

(52) **U.S. Cl.**  
USPC ..... **D23/365**

(58) **Field of Classification Search**  
USPC ..... D23/209, 314, 325, 333–336, 351,  
D23/355–366, 386–388; D14/203.3, 240,  
D14/356; D13/118  
CPC ..... Y10T 428/1366; B32B 2597/00; B01D  
46/00; B01D 46/0004; B01D 27/04;  
F25D 17/042; A61L 9/01  
See application file for complete search history.

(56) **References Cited**

**U.S. PATENT DOCUMENTS**

D446,849 S \* 8/2001 Weinberg ..... D23/364  
D512,493 S \* 12/2005 Haranaka ..... D23/355

D528,561 S \* 9/2006 Ka-Wei ..... D14/203.3  
D535,281 S \* 1/2007 Yang ..... D14/203.3  
D560,229 S \* 1/2008 Yagi ..... D14/168  
D618,237 S \* 6/2010 Wang ..... D14/356  
D636,474 S \* 4/2011 Choi ..... D23/351  
D643,427 S \* 8/2011 McGoldrick ..... D14/356  
D646,769 S \* 10/2011 Angel ..... D23/366  
D724,080 S \* 3/2015 Lin ..... D14/356  
D726,295 S \* 4/2015 Kim ..... D23/351  
D732,010 S \* 6/2015 Hsiau ..... D14/240  
D871,382 S \* 12/2019 Kwak ..... D14/240  
D890,901 S \* 7/2020 Young ..... D23/364  
D914,862 S \* 3/2021 Makipaa ..... D23/364

\* cited by examiner

*Primary Examiner* — John A Voytek

(74) *Attorney, Agent, or Firm* — Banner & Witcoff, Ltd.

(57) **CLAIM**

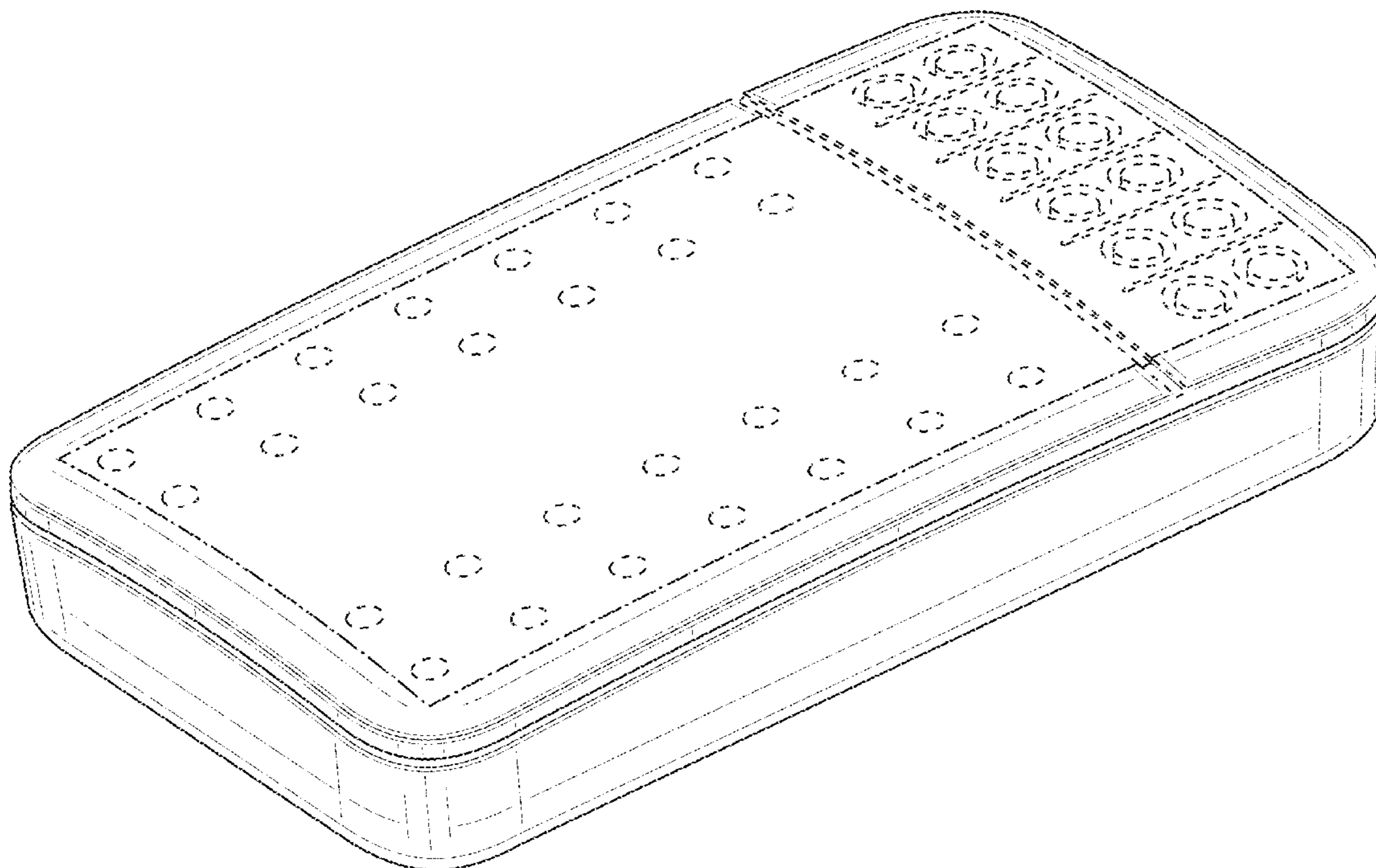
The ornamental design for an air filter, as shown and described.

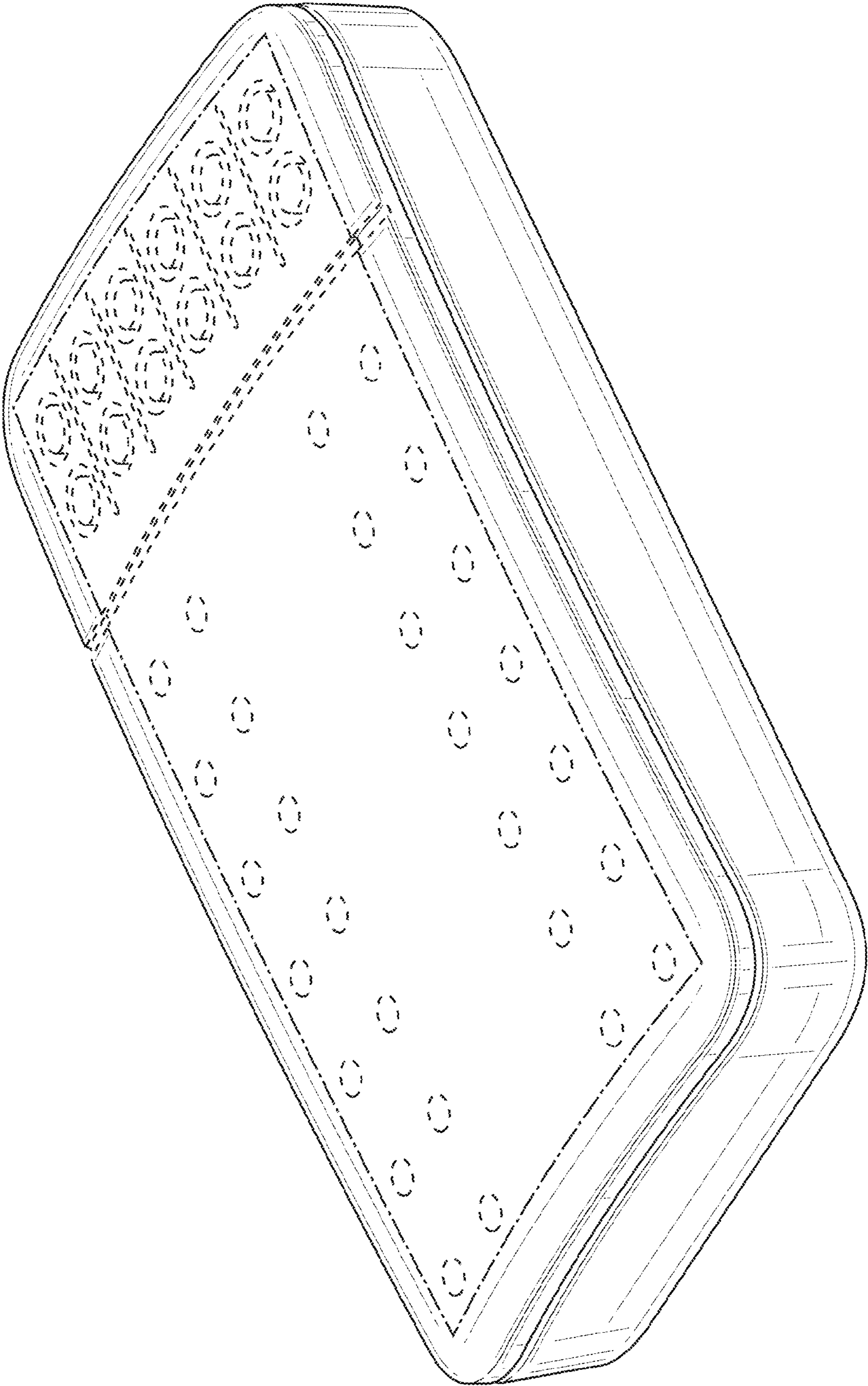
**DESCRIPTION**

FIG. 1 is a front perspective view of an air filter showing our new design;  
FIG. 2 is a front view thereof;  
FIG. 3 is a rear view thereof;  
FIG. 4 is a right side view thereof;  
FIG. 5 is a left side view thereof;  
FIG. 6 is a top view thereof; and,  
FIG. 7 is a bottom view thereof.

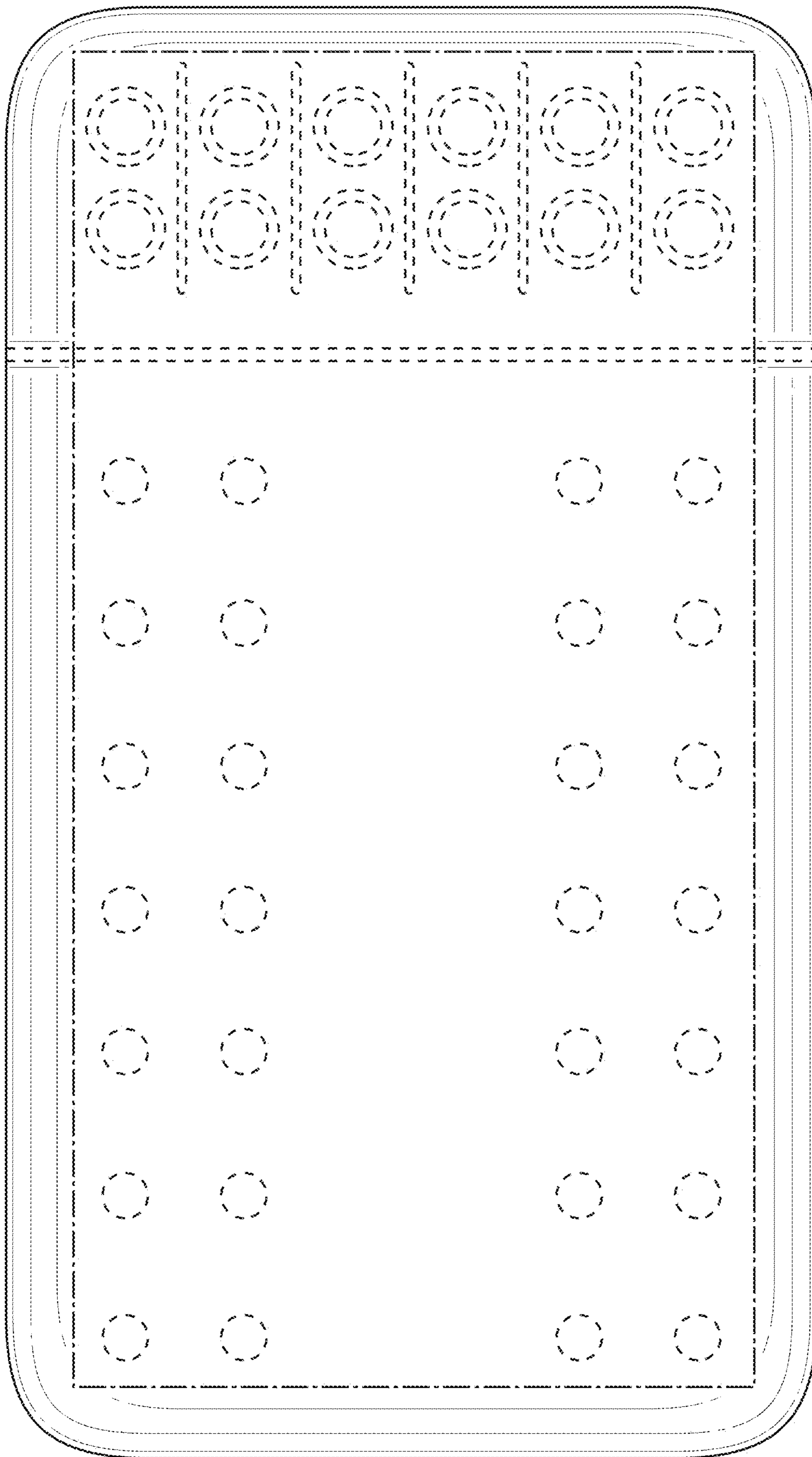
The uneven-length broken lines immediately adjacent to the shaded area define the bounds of the claimed design and form no part thereof. The broken lines depicting the remainder of the air filter form no part of the claimed design.

**1 Claim, 7 Drawing Sheets**



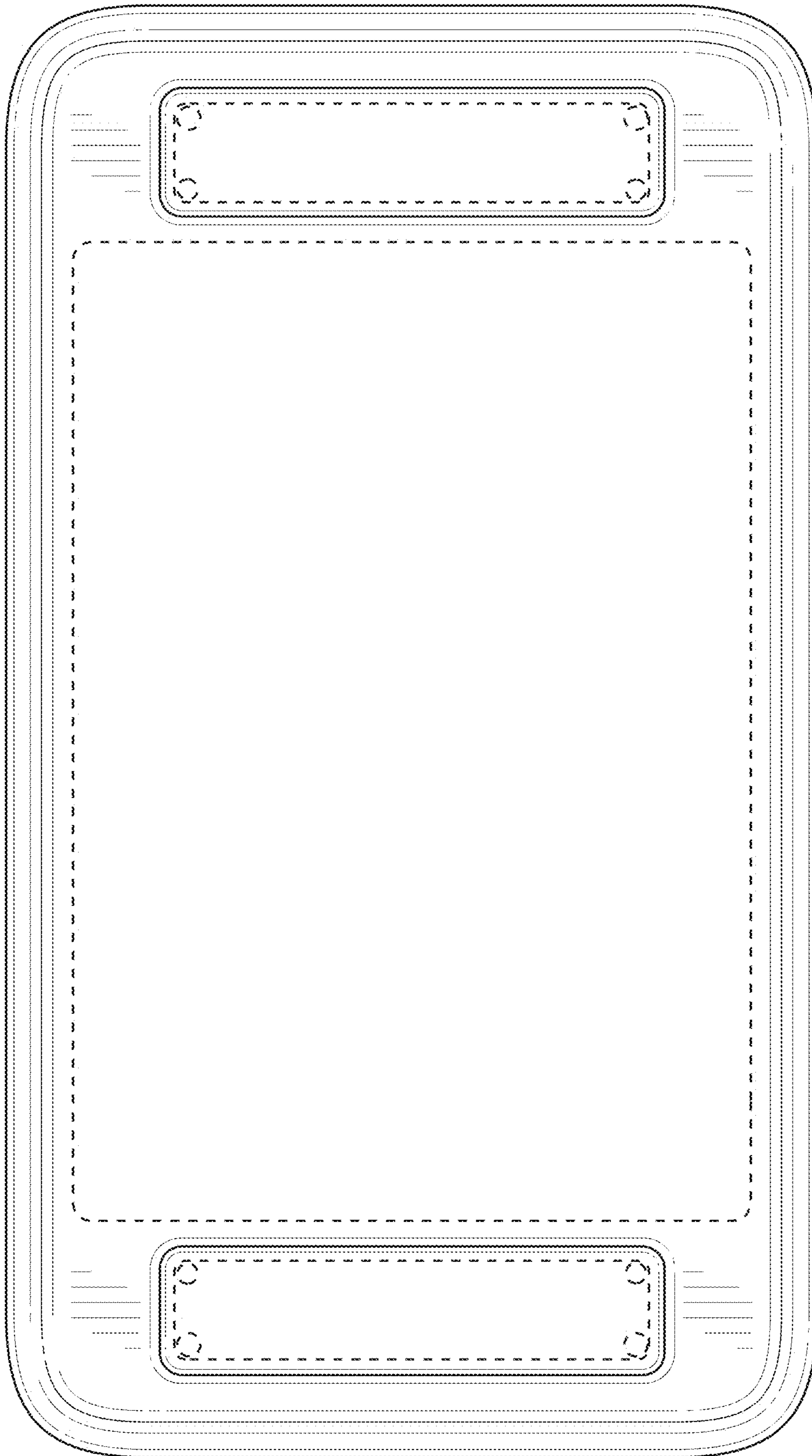


**FIG. 1**

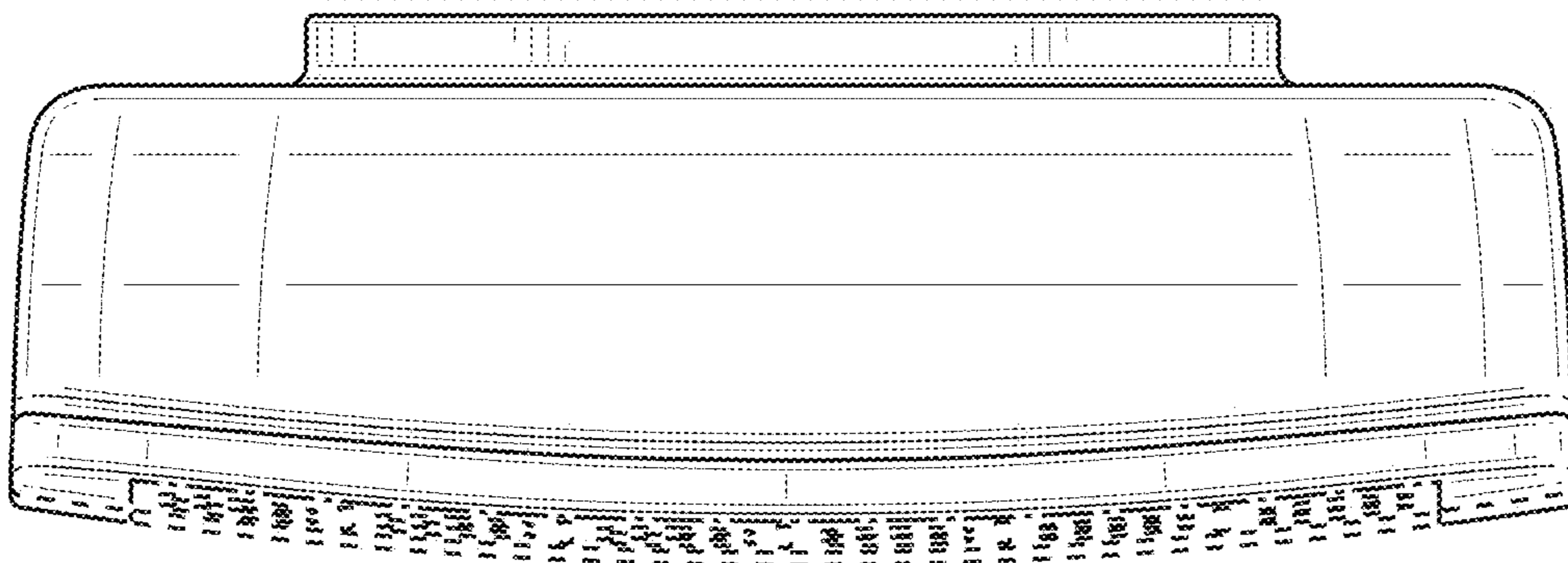


**FIG. 2**

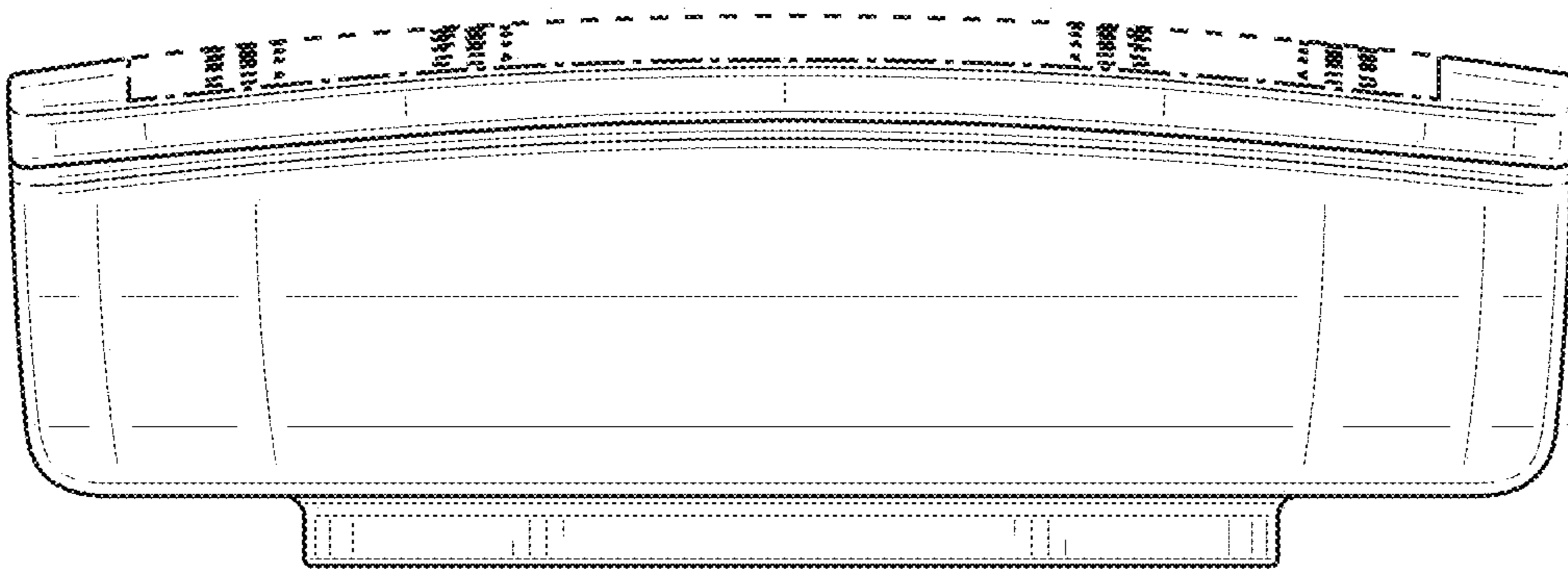




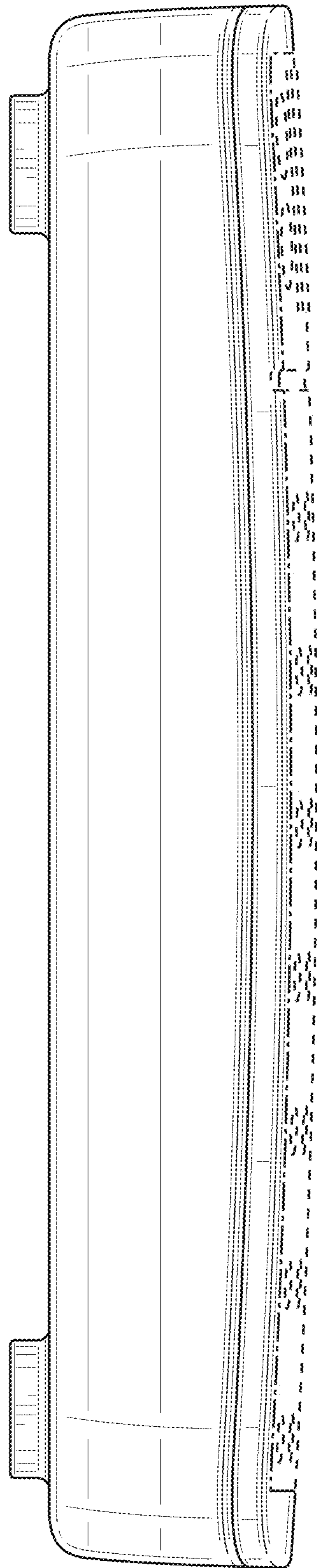
**FIG. 3**



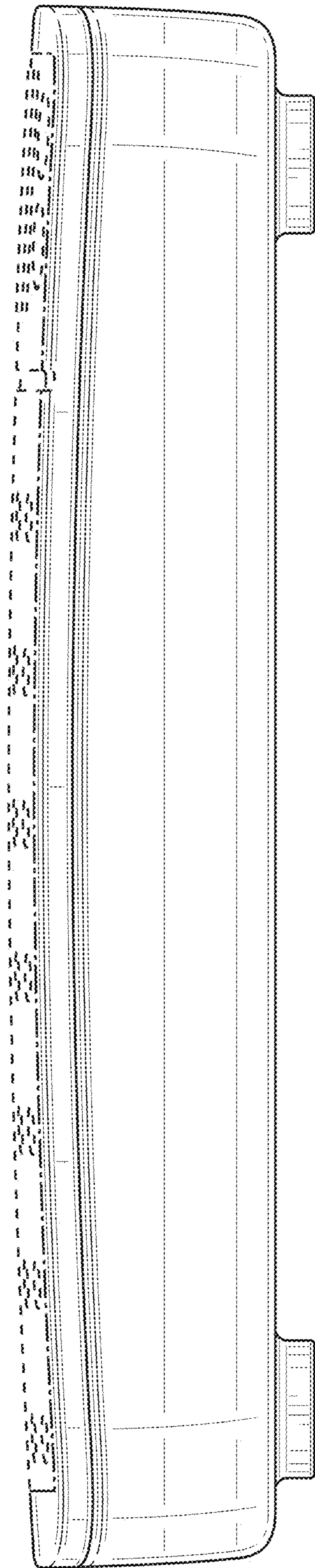
**FIG. 4**



**FIG. 5**



**FIG. 6**



**FIG. 7**