



US00D927672S

(12) **United States Design Patent**
Trask

(10) **Patent No.:** **US D927,672 S**

(45) **Date of Patent:** **** Aug. 10, 2021**

(54) **AIR CLEANER ASSEMBLY**

(71) Applicant: **Nick Trask**, Phoenix, AZ (US)

(72) Inventor: **Nick Trask**, Phoenix, AZ (US)

(**) Term: **15 Years**

(21) Appl. No.: **29/607,912**

(22) Filed: **Jun. 16, 2017**

(51) **LOC (13) Cl.** **23-04**

(52) **U.S. Cl.**

USPC **D23/365**; D15/5

(58) **Field of Classification Search**

USPC D12/107, 114, 115, 117, 126, 179, 182,
D12/223; D15/1-9, 9.1, 9.2; D23/209,
D23/303, 341, 354, 358, 363, 364, 365,
D23/386

CPC F02M 35/021; F02M 35/10118; F02M
35/1255; F02M 35/14; B01D 2265/026;
B01D 2265/04; B01D 2275/206

See application file for complete search history.

(56) **References Cited**

U.S. PATENT DOCUMENTS

D647,188 S	*	10/2011	Bergami	D23/365
D652,496 S	*	1/2012	Greenlees	D23/365
D652,497 S	*	1/2012	Troxell	D23/365
D690,407 S	*	9/2013	Williams	D23/365
D694,871 S	*	12/2013	Maholick	D23/365
D697,191 S	*	1/2014	Williams	D23/365
D706,831 S	*	6/2014	Schultz	D15/5
D717,420 S	*	11/2014	Von Seggern	D23/365
D736,263 S	*	8/2015	Schultz	D15/5
D739,513 S	*	9/2015	Williams	D23/365
D800,883 S	*	10/2017	Trask	D23/365
D852,680 S	*	7/2019	Ness	D12/114
2018/0363601 A1	*	12/2018	Trask	F02M 35/02416

FOREIGN PATENT DOCUMENTS

EP 2535550 A2 * 12/2012 F02M 35/02433

OTHER PUBLICATIONS

Assault Charge High Flow Air Cleaner, posed on traskperformance.com, no posted date given, no production date given, [online], [site visited Apr. 13, 2020], available online, URL: <https://www.traskperformance.com/fuel-air> (Year: 2020).*

(Continued)

Primary Examiner — Michael C Stout

Assistant Examiner — Fritzgerald L Butac

(74) *Attorney, Agent, or Firm* — Ice Miller LLP

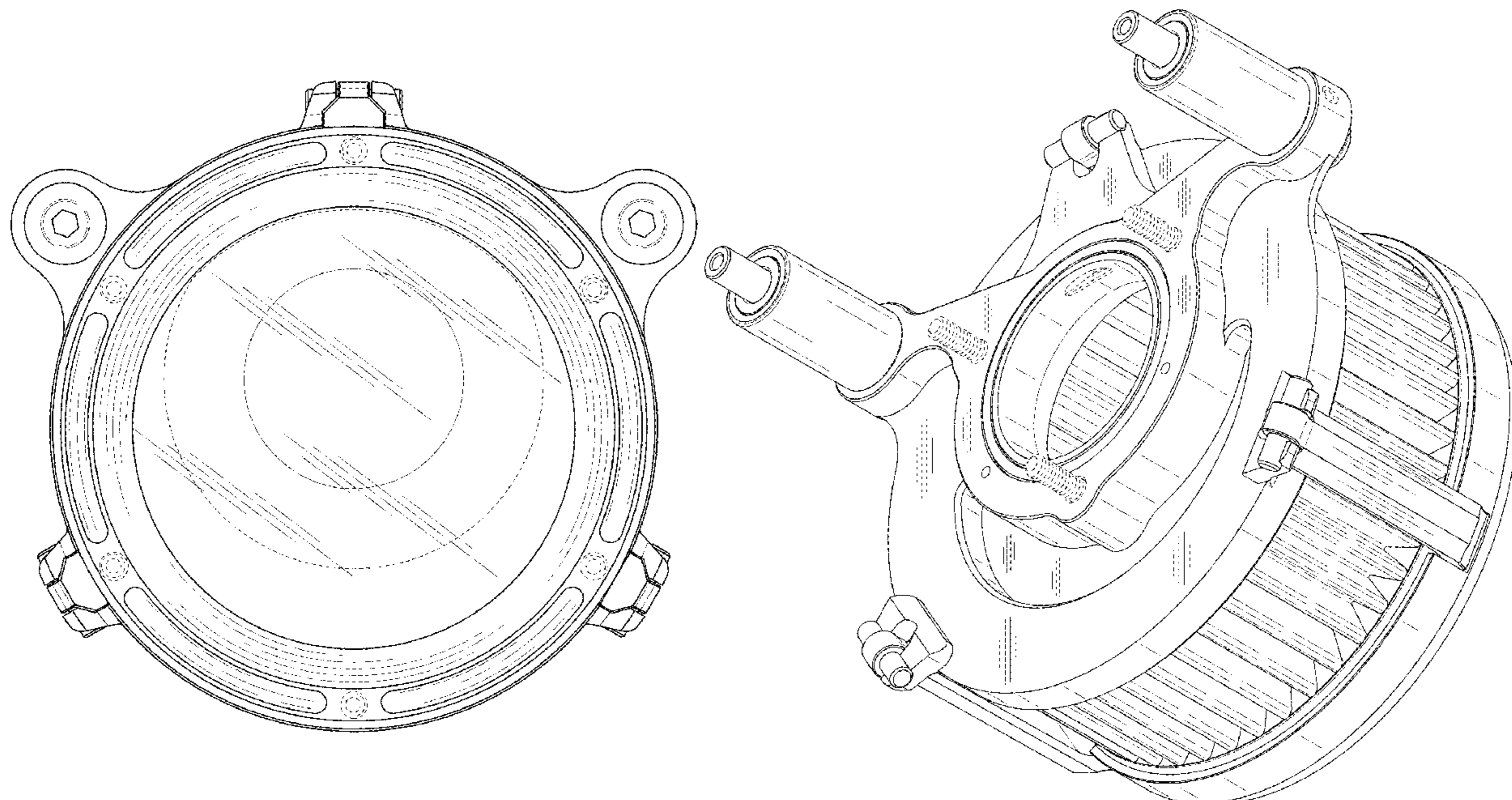
(57) **CLAIM**

The ornamental design for an air cleaner assembly, as shown and described.

DESCRIPTION

FIG. 1 is an environmental view of the air cleaner assembly; FIG. 2 is a front perspective view of the air cleaner assembly; FIG. 3 is a front elevation view of the air cleaner assembly; FIG. 4 is a rear elevation view of the air cleaner assembly; FIG. 5 is a left side elevation view of the air cleaner assembly; FIG. 6 is a right side elevation view of the air cleaner assembly; FIG. 7 is a top plan view of the air cleaner assembly; FIG. 8 is a bottom plan view of the air cleaner assembly; and, FIG. 9 is a rear perspective view of the air cleaner assembly. The broken lines seen in FIGS. 1-8 show portions of an air cleaner assembly that form no part of the claimed design.

1 Claim, 9 Drawing Sheets



(56)

References Cited

OTHER PUBLICATIONS

Trask Assault Charge Highflow Intake Install, posted on youtube.com, posted Oct. 11, 2016. [online], [site visited Apr. 13, 2020], available online, URL: https://www.youtube.com/watch?time_continue=1&v=DKh7lsQXhY8&feature=emb_title (Year: 2016).*

* cited by examiner

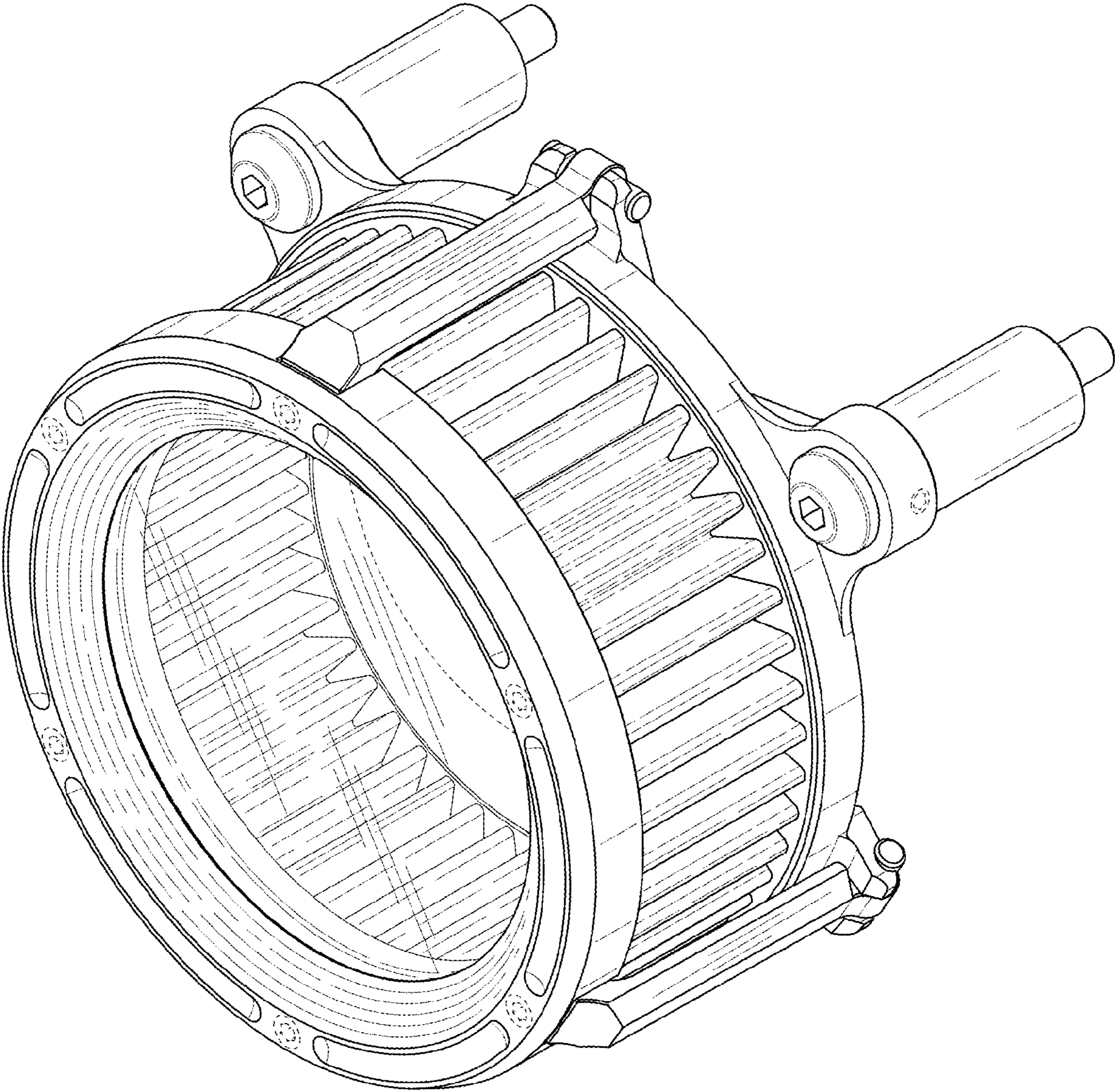


FIG. 1

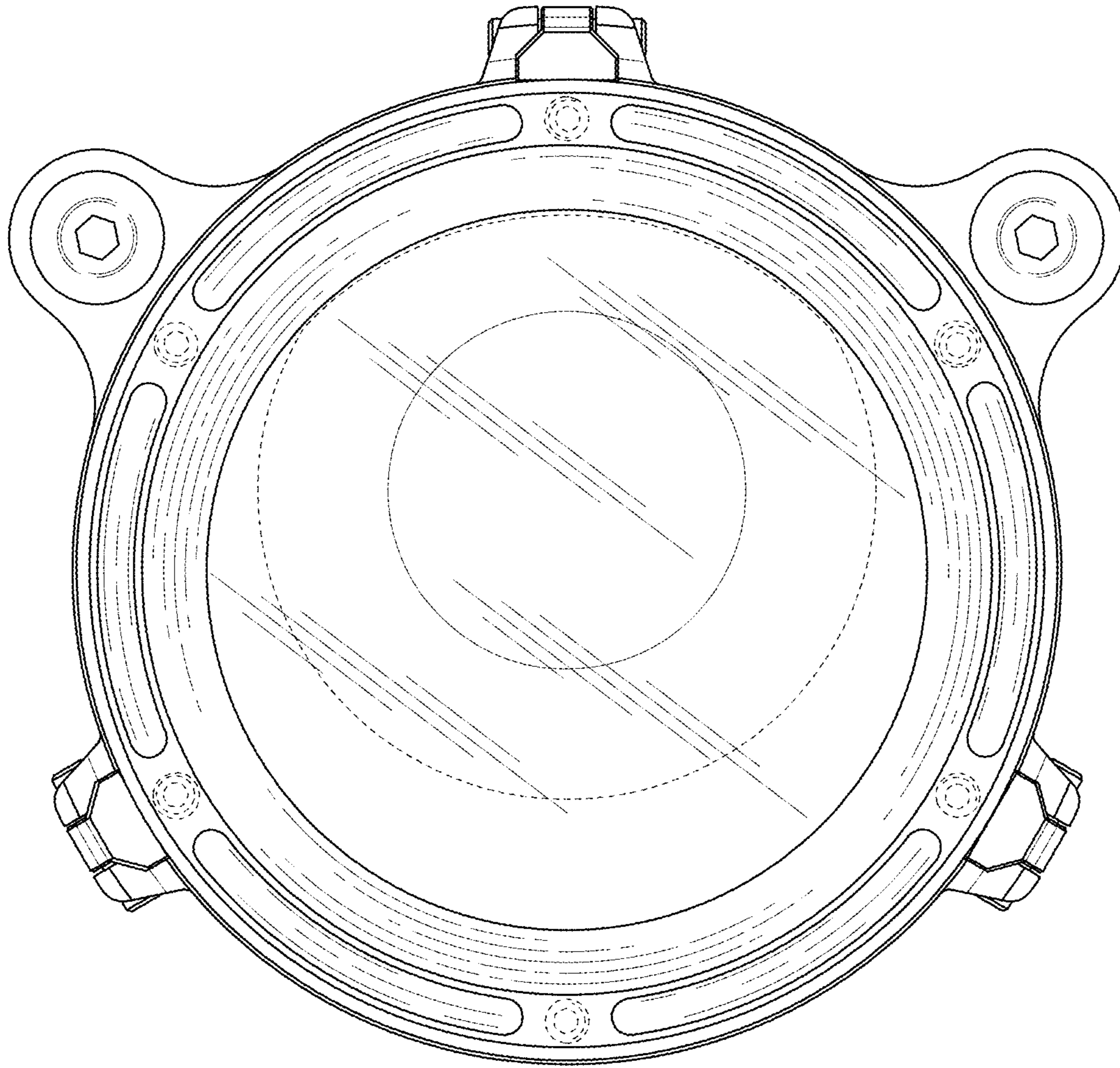


FIG. 2

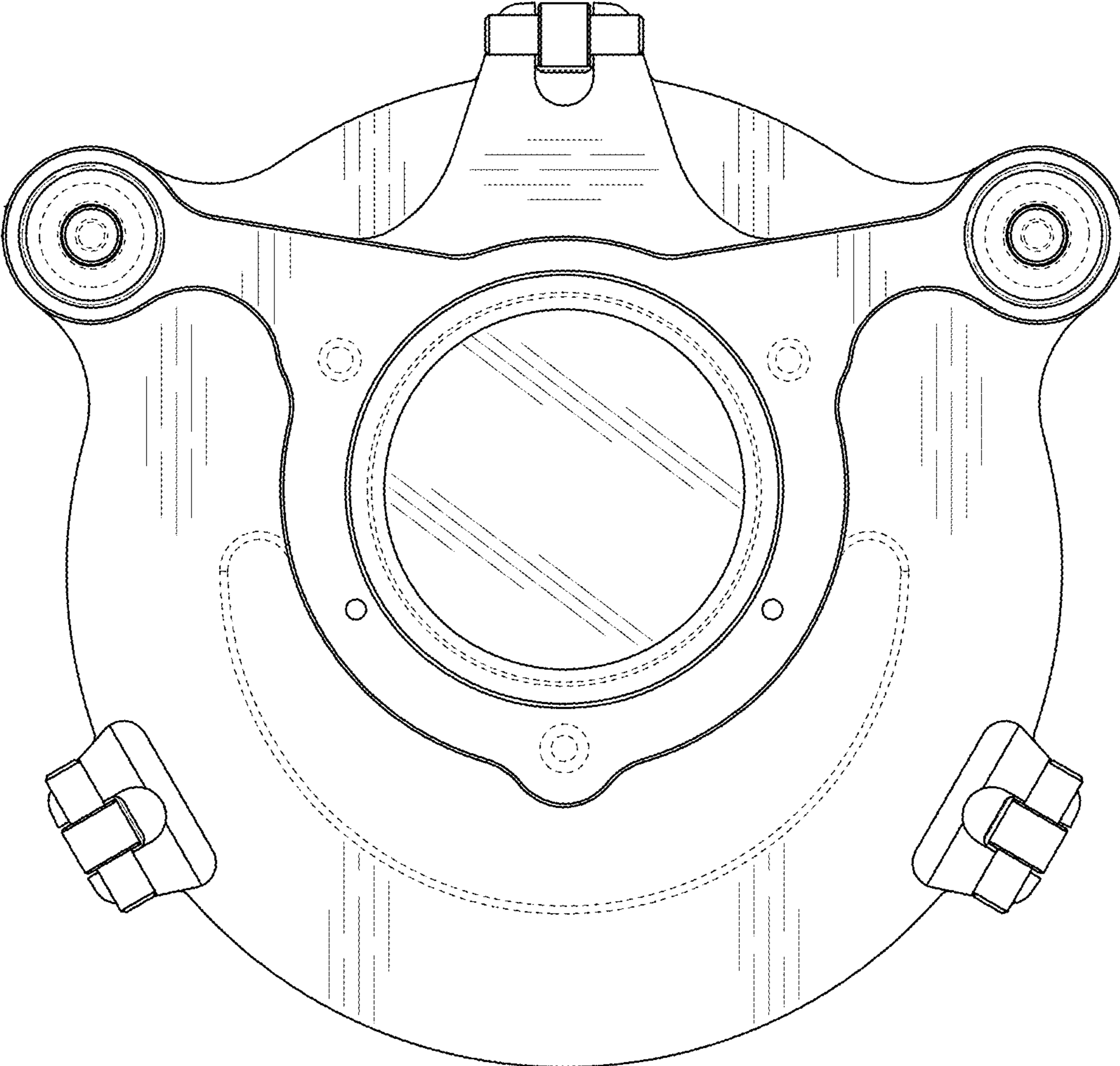


FIG. 3

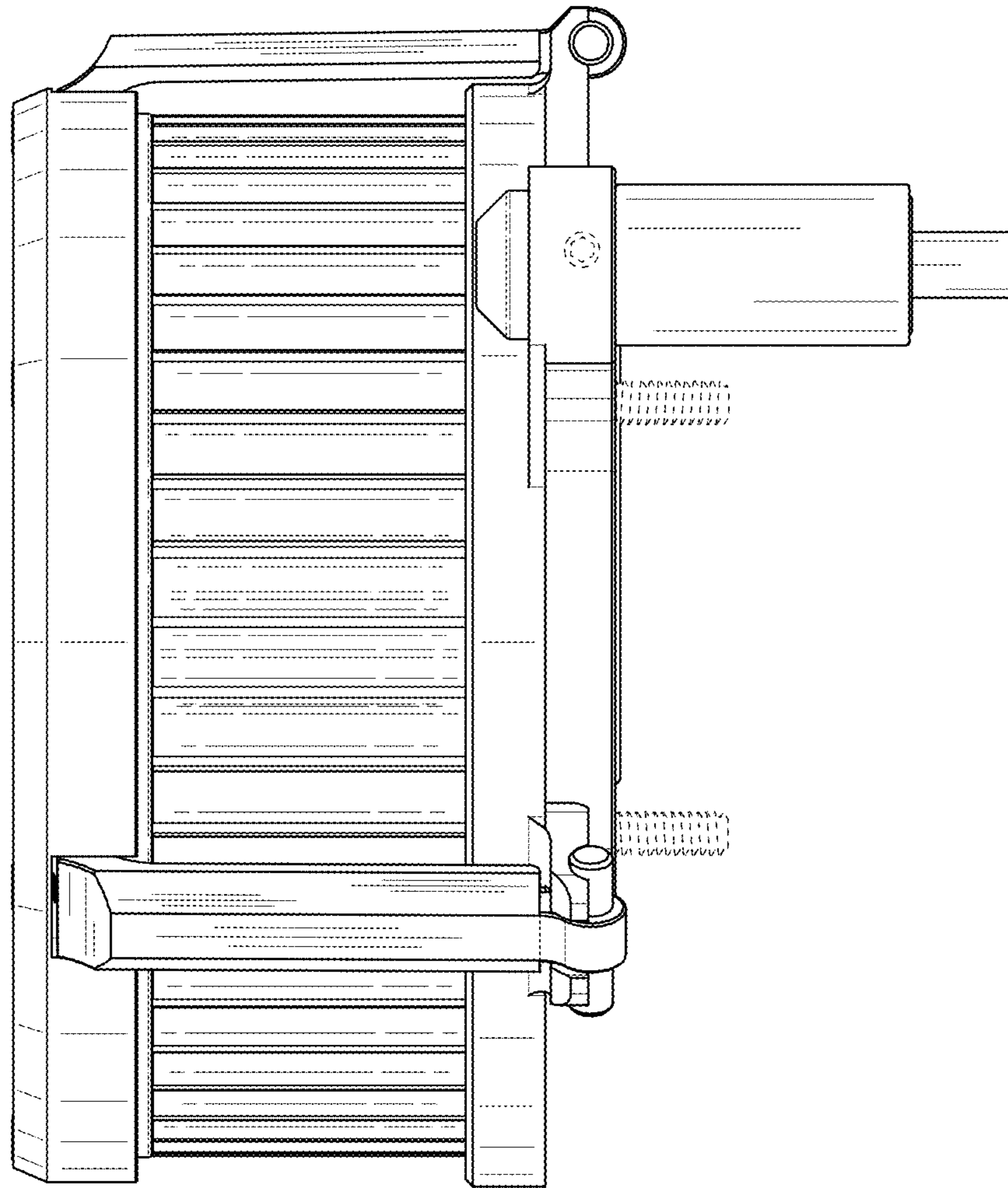


FIG. 4

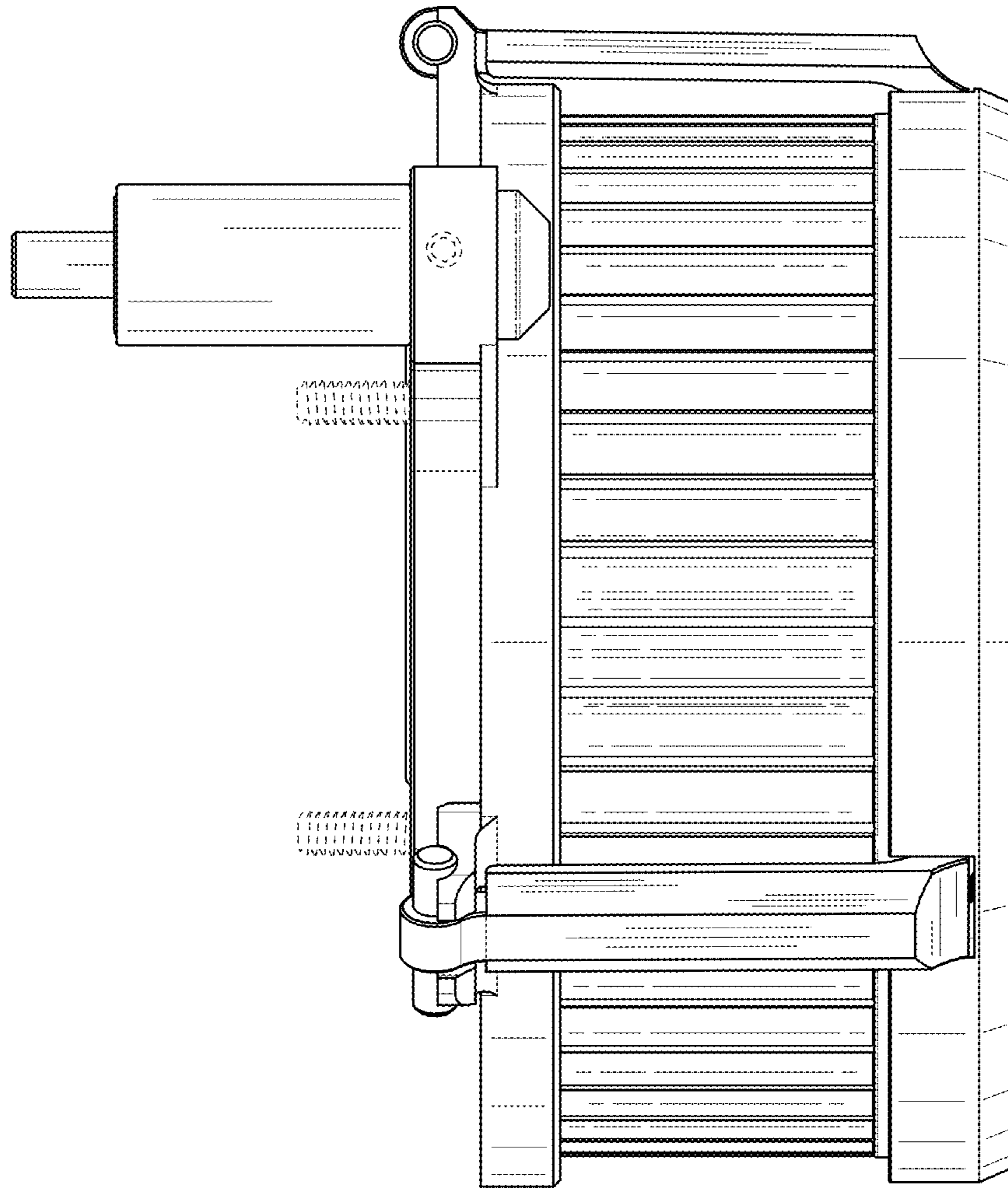


FIG. 5

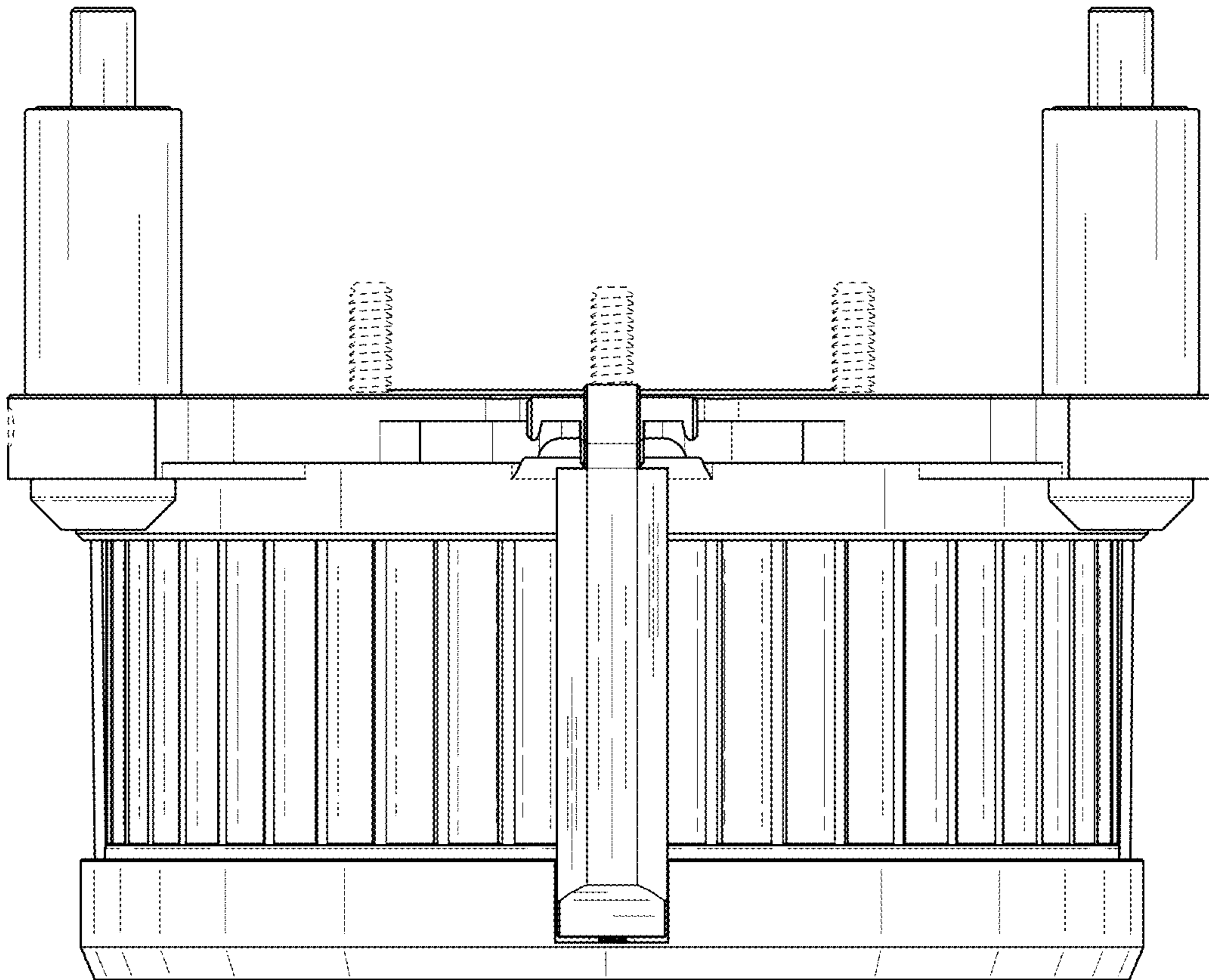


FIG. 6

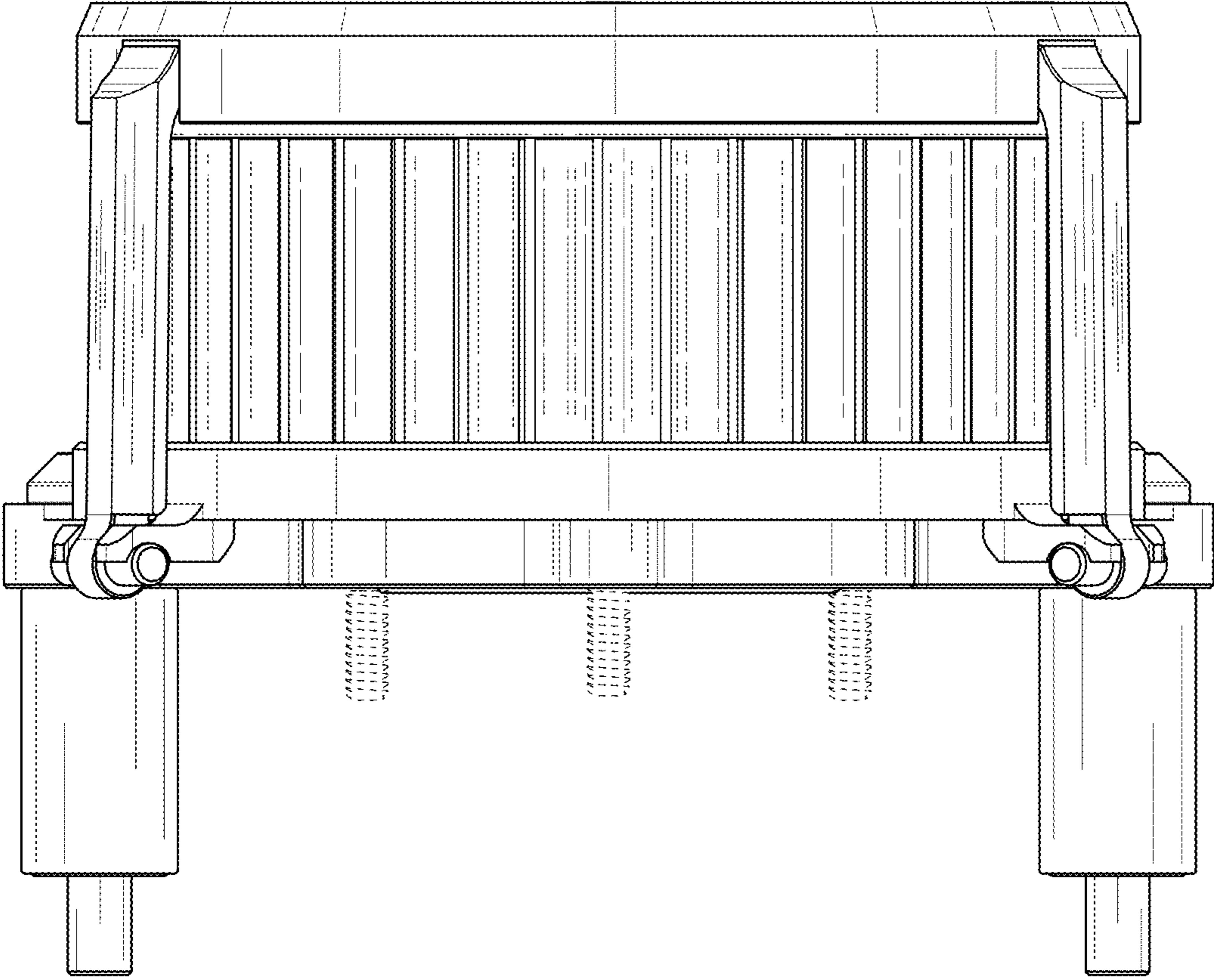


FIG. 7

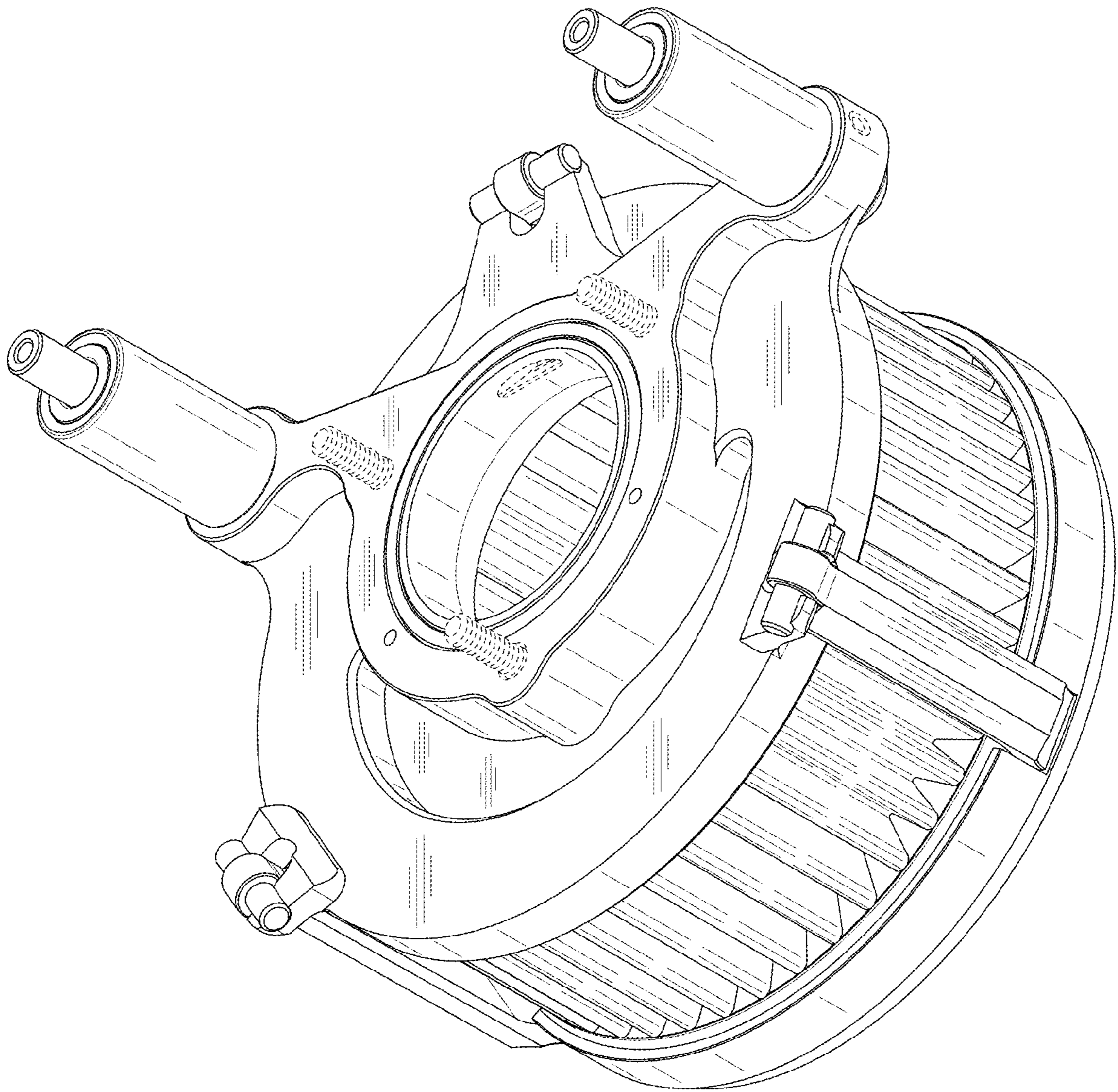


FIG. 8

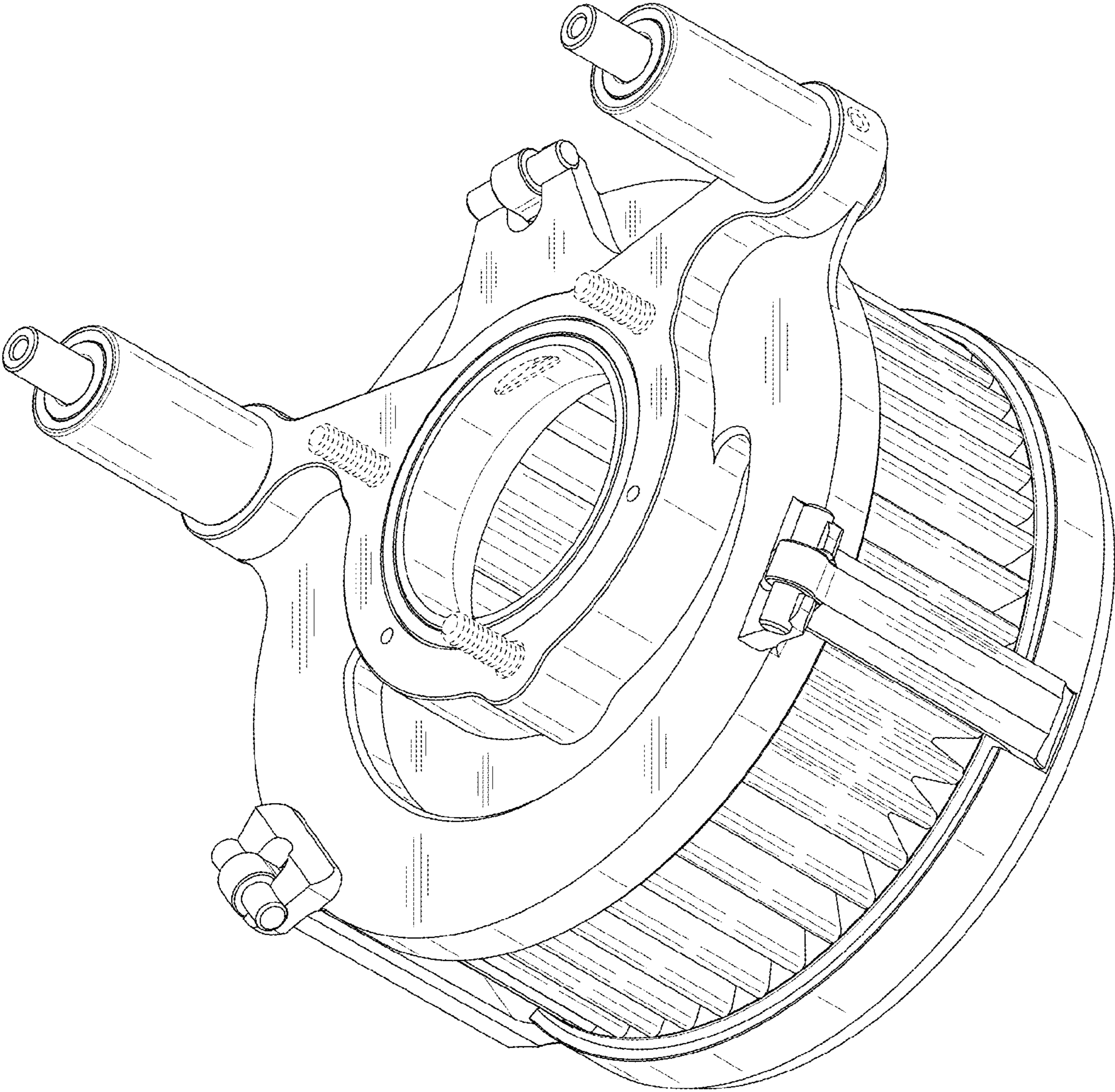


FIG. 9